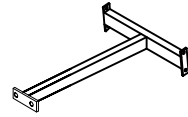


# Bar sidechair



A: 1PCS



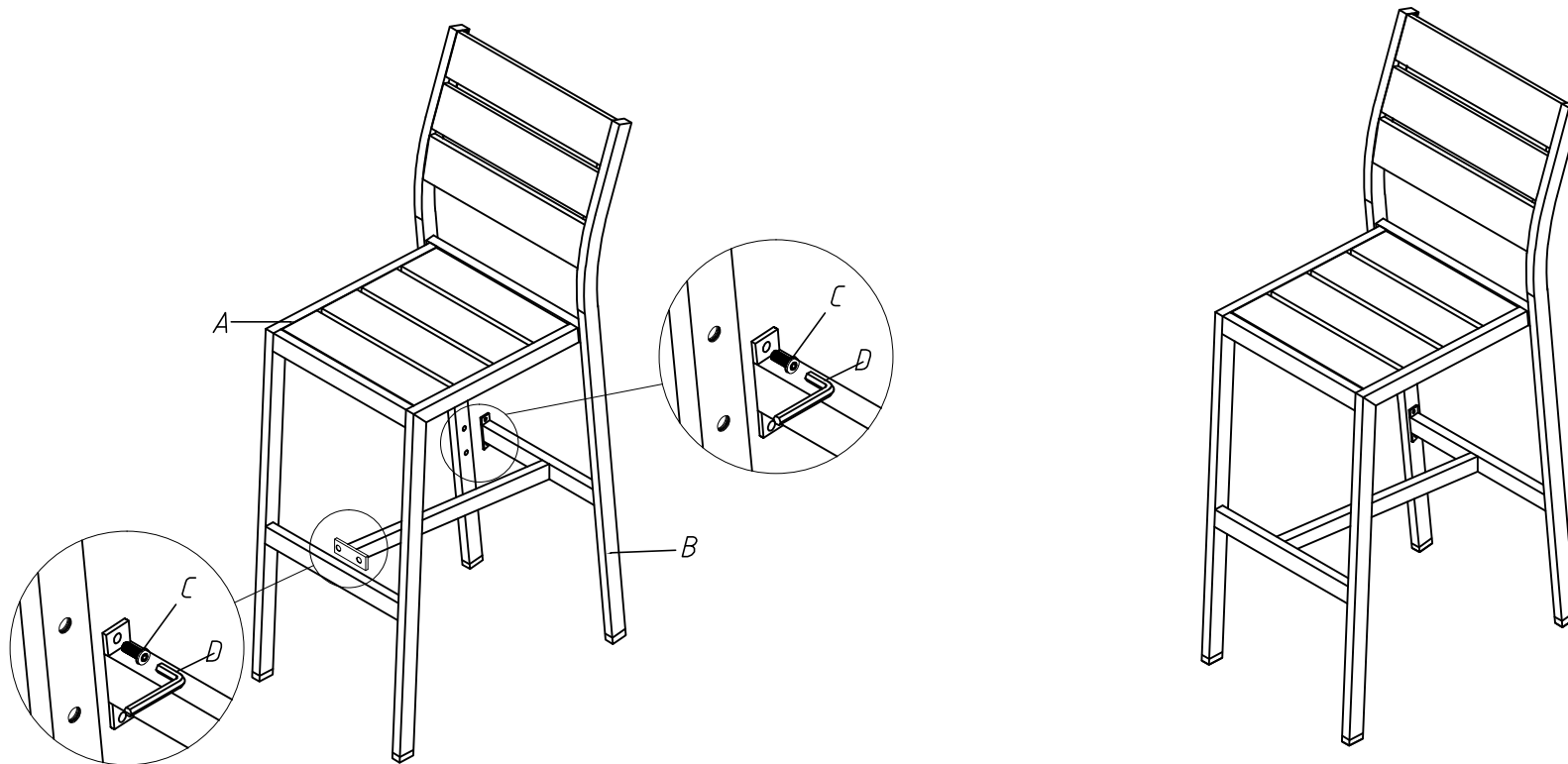
B: 1PCS



C: M6\*20\*6PCS



D: 4MM\*1PCS



Please assemble all components firstly, then tightly fix all screws.