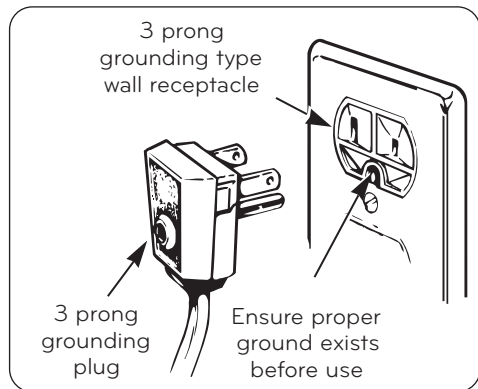


REQUIREMENTS FOR GROUND CONNECTION

IMPORTANT: Attentively read the following.
TO CONNECT ELECTRICITY

⚠ WARNING

ELECTRICAL SHOCK HAZARD
FOR YOUR PERSONAL SAFETY, this appliance must be properly grounded. Have a qualified electrician check your wall outlet to ensure that the plug is grounded properly.



RECOMMENDED GROUNDING METHOD

Your refrigerator must always be plugged to its own outlet which is adequately grounded. The energy current should only be 115 V ~ 60 Hz, AC or 127 V ~ 60 Hz, AC (according to the National rating) and fused at 10 A. This provides the best performance and prevents an overload which could cause a fire from the overheating of the cables. It is recommended that a separate circuit be used for this appliance, as well as a receptacle that cannot be disconnected with a switch.

Do not use an extension cable.

It is recommended use a separate circuit for this product as well as receptacle which can not be disconnected with a switch. Do not use extension cords or adapters ungrounded.

It is your responsibility and obligation to replace two-prong outlets with that of an adequately grounded three-prong outlet.

Do not, under any circumstance, cut or extract the third prong from the plug.

USE OF EXTENSION CABLES

We do not recommend the use of extension cables.

However, if you still choose to utilize an extension cable, it is absolutely necessary that it is listed in the UL (in the United States) or CSA (in Canada), that it supports three-pronged plugs and that the electrical current support a minimum of 10 A and 115 V.

The use of an extension cable will increase the amount of space needed behind the refrigerator.

⚠ WARNING

REPLACING ELECTRICAL CABLE

If the power cord is damaged, it must be replaced by our service center or qualified LG technician to avoid any risk.

Do not extend or modify the power cord length, damage the power cord may cause electric shock or damage the unit.

PRODUCT SPECIFICATIONS

The appearance and specifications listed in this manual may vary due to constant product improvements.

Electrical requirements: 115 V, 60 Hz



Model	LRONC0705*	LRONC0605*
Net weight	75 lb (34 kg)	68 lb (31 kg)

THIS REFRIGERATOR IS MANUFACTURED WITH GREAT CARE AND UTILIZES THE LATEST IN TECHNOLOGY.

WE ARE CONFIDENT THAT YOU WILL BE FULLY SATISFIED WITH ITS PERFORMANCE AND RELIABILITY.

BEFORE USING YOUR REFRIGERATOR, PLEASE READ THIS MANUAL CAREFULLY. IT PROVIDES EXACT INSTRUCTIONS FOR INSTALLATION, OPERATION, AND MAINTENANCE, AND ALSO SUPPLIES SOME USEFUL HINTS.

INSTALLATION

1. Select a good location.
Place your refrigerator where it is easy to use.
2. Avoid placing the unit near heat sources, direct sunlight or moisture.
3. To ensure proper air circulation around the refrigerator, maintain sufficient space on both the sides as well as top and maintain at least 2 inches (50 mm) from the rear wall.
4. To avoid vibration, the unit must be level. If required, adjust the leveling screws to compensate for unevenness of the floor. The front should be slightly higher than the rear to aid in door closing. Leveling screws can be turned easily by tipping the cabinet slightly. Turn the leveling screws clockwise() to raise the unit, counterclockwise() to lower it (if stand base is not used).
5. Don't install this appliance in areas where the temperature gets below 55 °F (13 °C). Doing so may cause a loss in cooling performance.

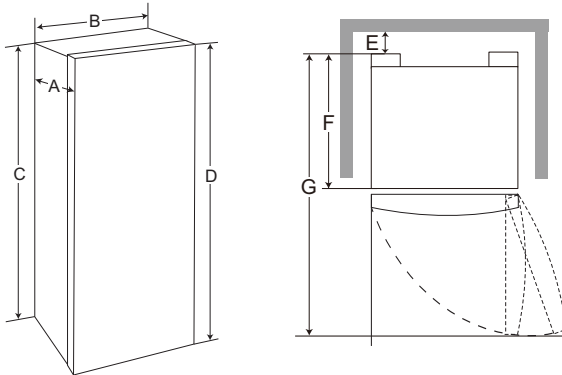
NEXT

1. Clean your refrigerator thoroughly and wipe off all dust accumulated during shipping.
2. Install accessories such as shelves, bins, and ice cube tray in their proper places. They are packed together to prevent possible damage during shipment.
3. Connect the power supply cord (or plug) to the outlet. Don't double up with other appliances on the same outlet.
4. Prior to storing food, leave your refrigerator on for 2 or 3 hours.

INSTALLATION

Dimensions and Clearances

- Check the dimensions of the appliance and the installation path to ensure there is sufficient room to move the refrigerator through doors or narrow openings.
- The installation location chosen for the refrigerator should allow space behind the unit for connections and airflow and space in front to open the doors.
- Too small of a distance from adjacent items may result in reduced freezing capability and increased electricity consumption charges. Allow least 2 inches (50 mm) between the back of the refrigerator and the wall.

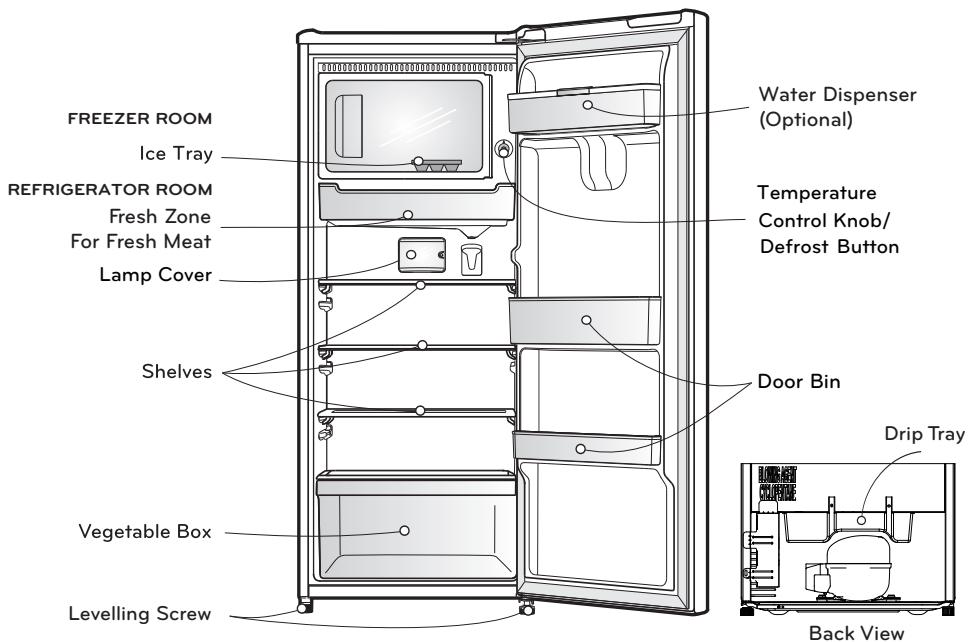


-	Dimension/Clearance	LRONC0705*	LRONC0605*
A	Depth without Handle	21 7/8" (555 mm)	21 7/8" (555 mm)
B	Width	20 5/8" (525 mm)	20 5/8" (525 mm)
C	Height to Top of Case	50 7/8" (1292 mm)	44 5/8" (1132 mm)
D	Height to Top of Hinge	51" (1295 mm)	44 5/8" (1135 mm)
E	Back Clearance	2" (50 mm)	2" (50 mm)
F	Depth without Door	18 5/8" (473 mm)	18 5/8" (473 mm)
G	Depth (Total with Door Open 90°)	39 5/8" (1008 mm)	39 5/8" (1008 mm)

Ambient Temperature

Install this appliance in an area where the temperature is between 55 °F (13 °C) and 110 °F (43 °C). If the temperature around the appliance is too low or high, cooling ability may be adversely affected.

FEATURE CHART



NOTE

- This guide covers several different models. The refrigerator you have purchased may have some or all of the features shown above.
- The positions of bins, shelves and drawers shown above is the most efficient for energy saving.

SUGGESTION FOR ENERGY SAVING

- Do not keep the door open for a long time. Close the door as soon as you can.
- Do not overpack the refrigerator. Leave room for air to circulate.
- Do not set the temperature of refrigerator lower than needed. Do not put food near the temperature sensor.
- Allow hot food to cool prior to storing. Placing hot food in the refrigerator could spoil other food, and lead to higher electric bills.
- Do not open the door frequently. Opening the door lets warm air enter the refrigerator, and causes the interior temperature to rise.