

ASSEMBLY INSTRUCTION

RSF 2-seater seat base with pull-out bed, 2 arms with Shelves back rest for 2R and USB ports, (Pillow and Back rest are stored in LC)

Left Side Chaise with Hidden Storage, (Lsf arm and Lsf back cushion are stored in 2-seater)

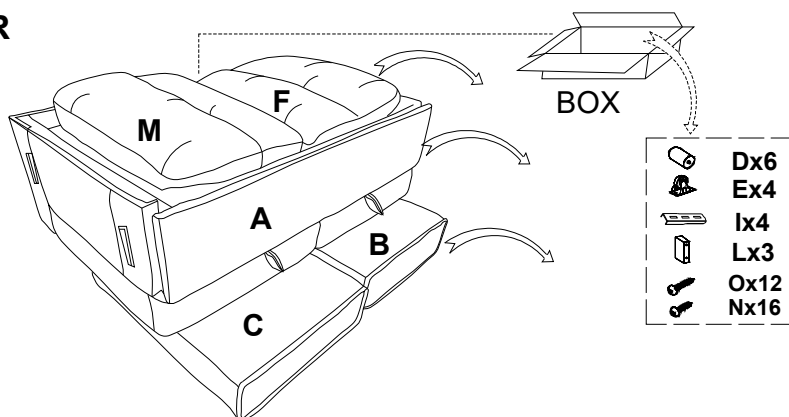


Legs and hardware are stored in the box, please take out for assembly

NOTE: Do not use power tools for assembly. Power tools increase the risk of over tightening which lead to splitting or cracking the wood.

Location of KD parts

2R



2-SEATER PART LIST

No.	Description	Diagram	Quantity
A	POP-UP SLEEPER SEAT		1
B	LSF ARM (Arm for LC)		1
C	RSF ARM		1
D	ROUND PLASTIC LEG 50x50x50mm		4
E	CASTOR		4
F	BACK CUSHION RSF		1
G	PILLOW 18"x18" (Packed in LC)		1
H	BACK REST (Packed in LC)		1
I	METAL BRACKET		2

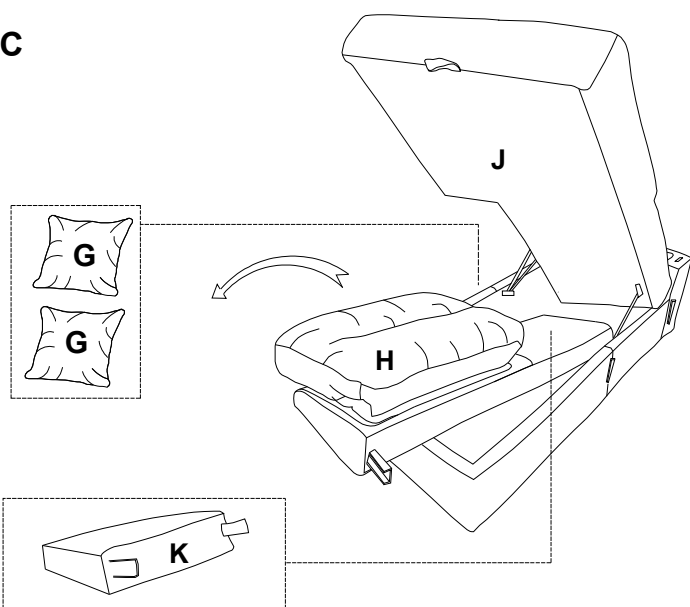
CHAISE PART LIST

No.	Description	Diagram	Quantity
J	CHAISE SEAT		1
K	BACK REST		1
L	PLASTIC LEG 150x50x50mm (packed in 2R)		3
M	BACK CUSHION LSF (packed in 2R)		1
I	METAL BRACKET (packed in 2R)		2
G	PILLOW 18"x18"		1
D	ROUND PLASTIC LEG 50x50x50mm (packed in 2R)		2

HARDWARE LIST :

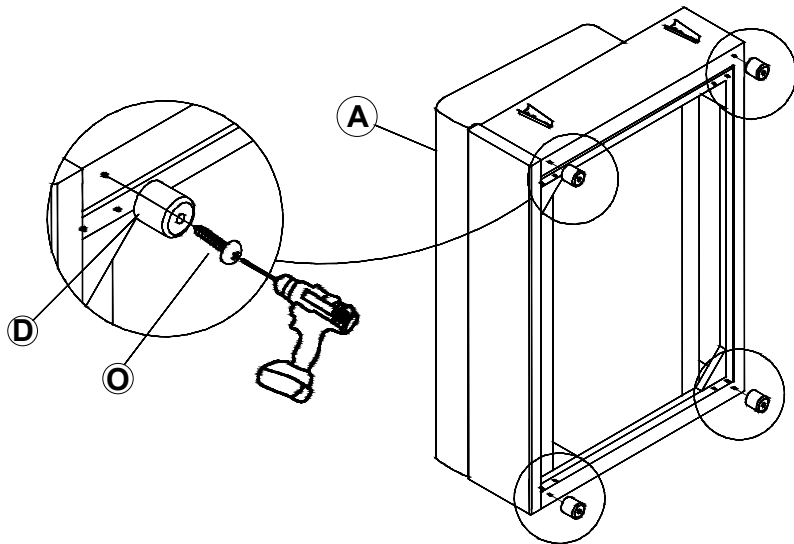
No.	Description	Diagram	Quantity
O	SCREW	Ø8x45MM	12
N	SCREW	Ø8x25MM	16

LC

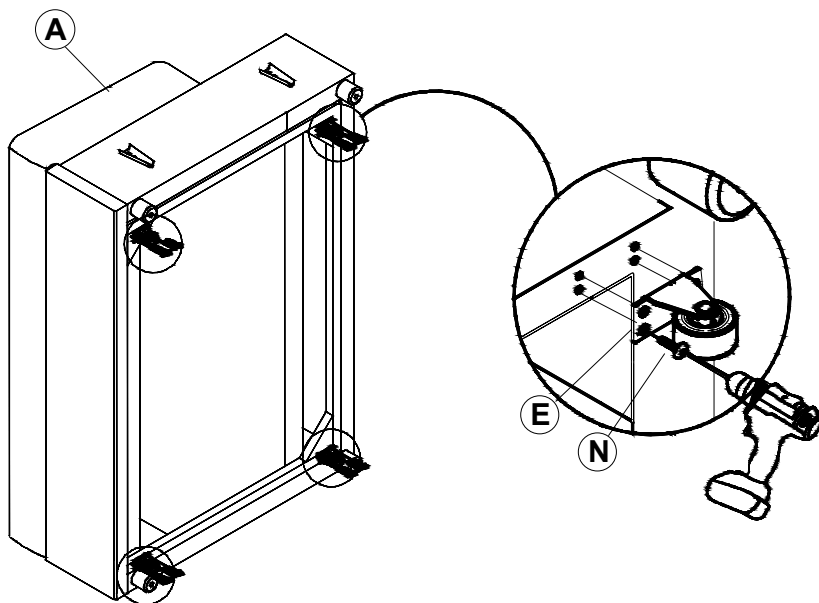


ASSEMBLY INSTRUCTION

Step 1

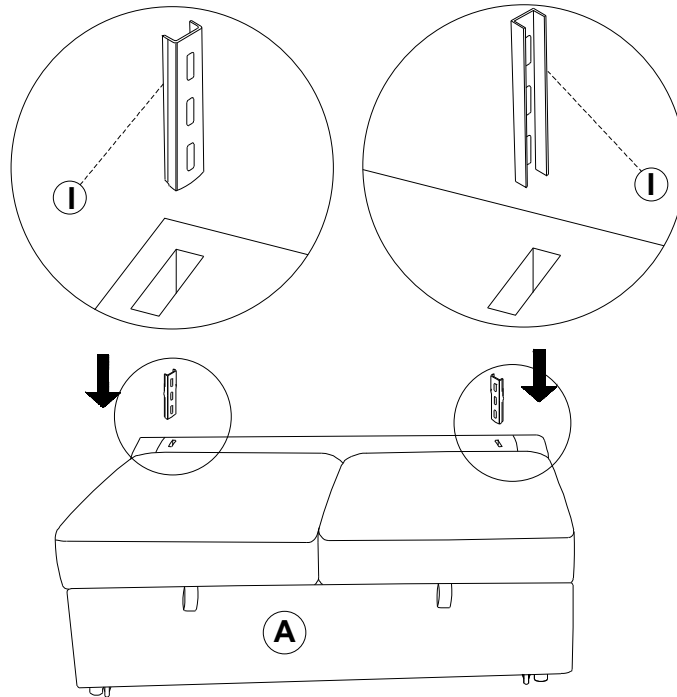


Step 2

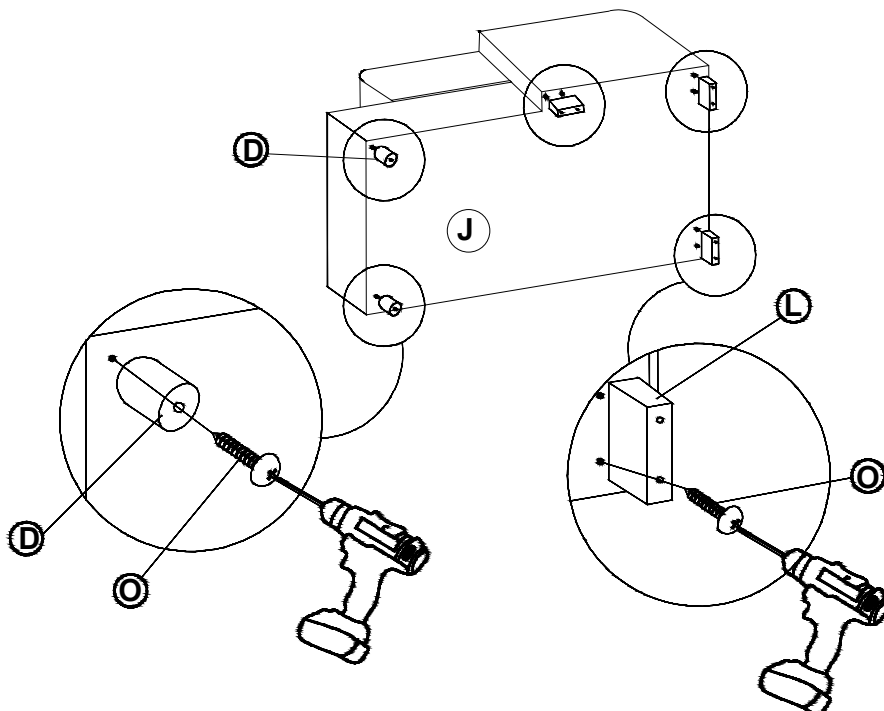


ASSEMBLY INSTRUCTION

Step 3

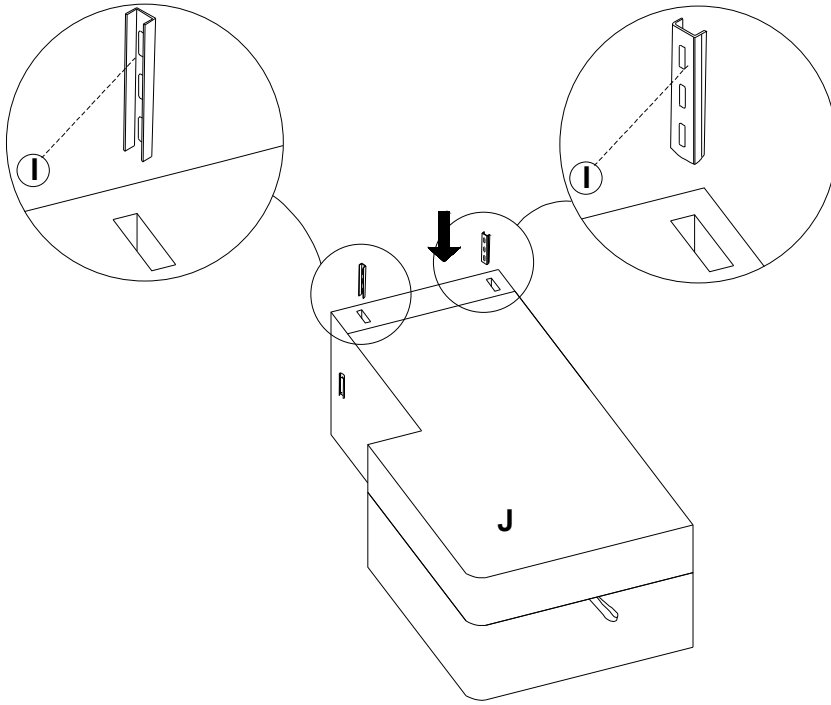


Step 4

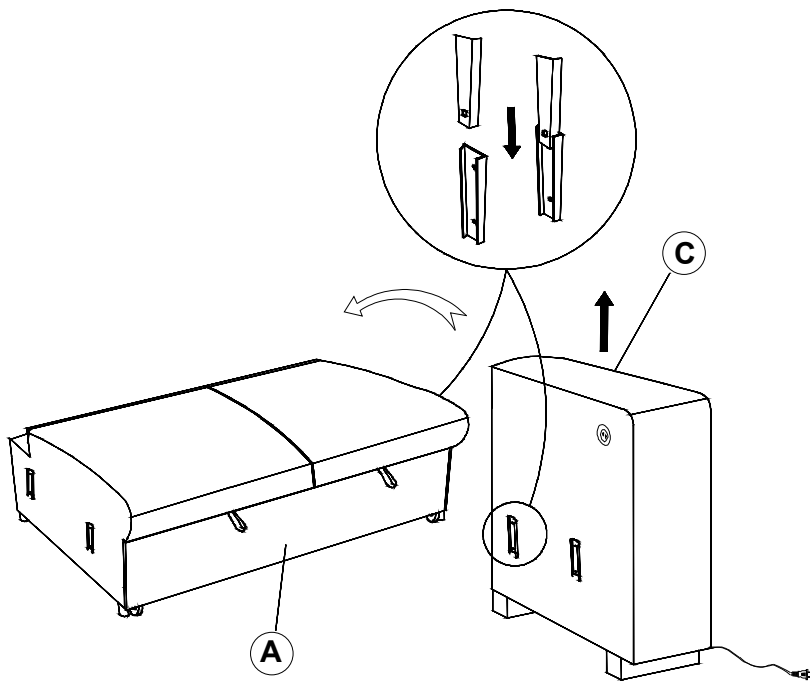


ASSEMBLY INSTRUCTION

Step 5

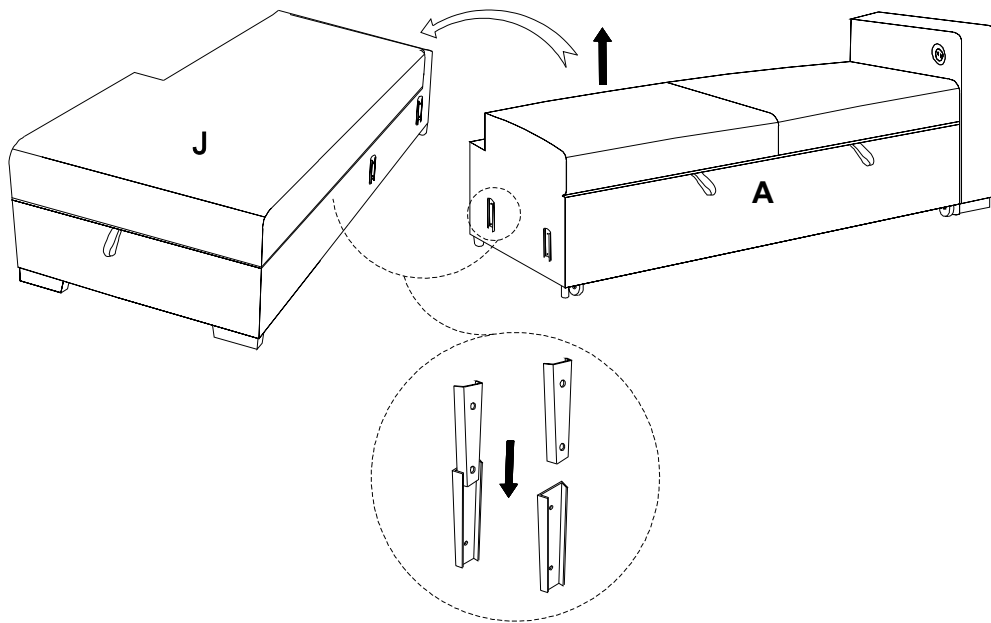


Step 6

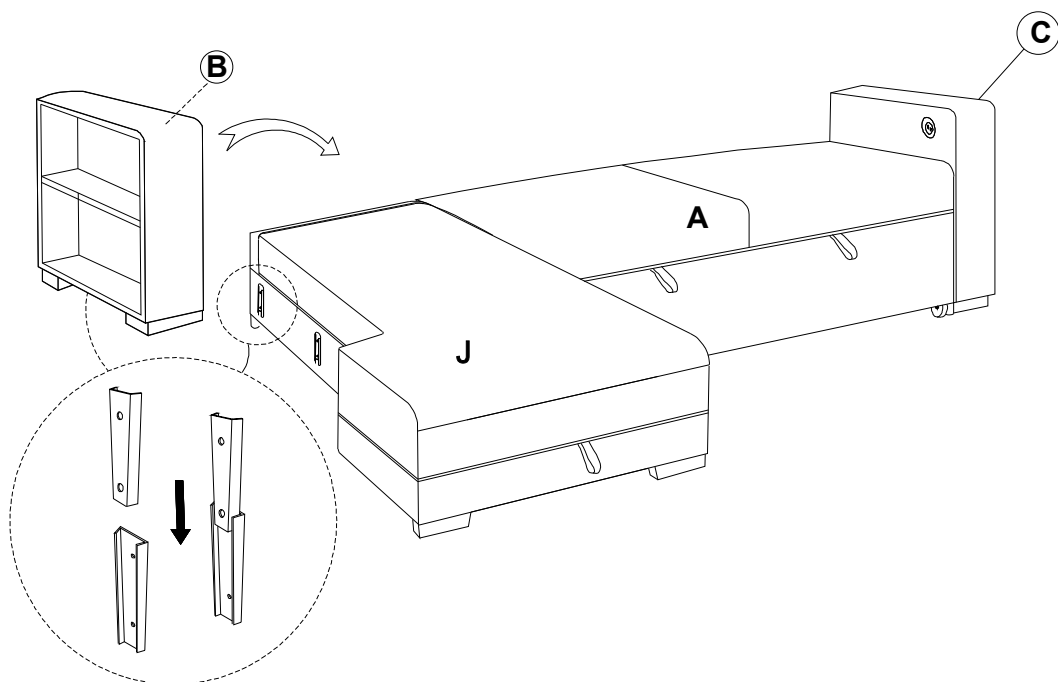


ASSEMBLY INSTRUCTION

Step 7

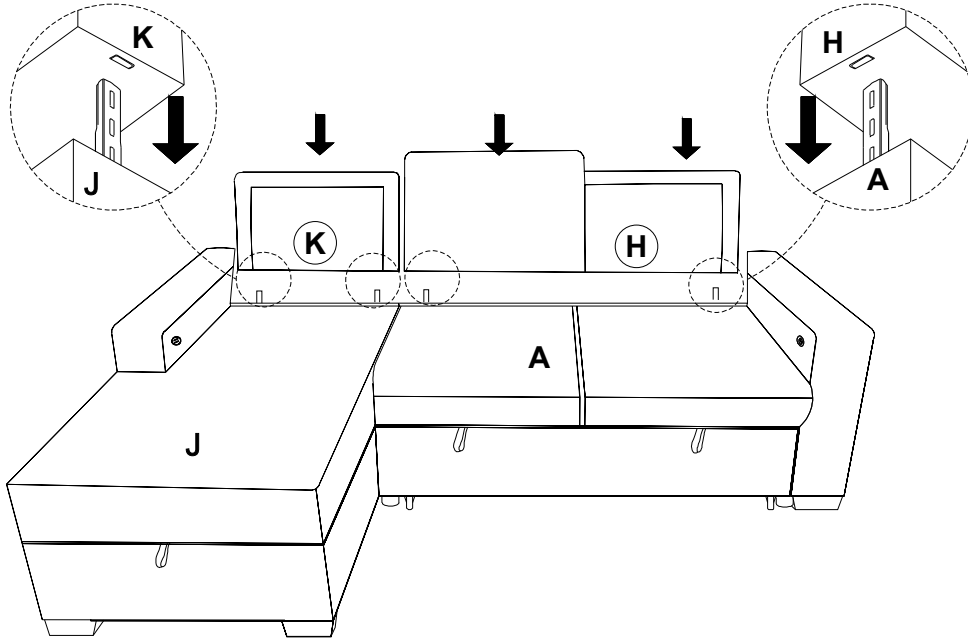


Step 8

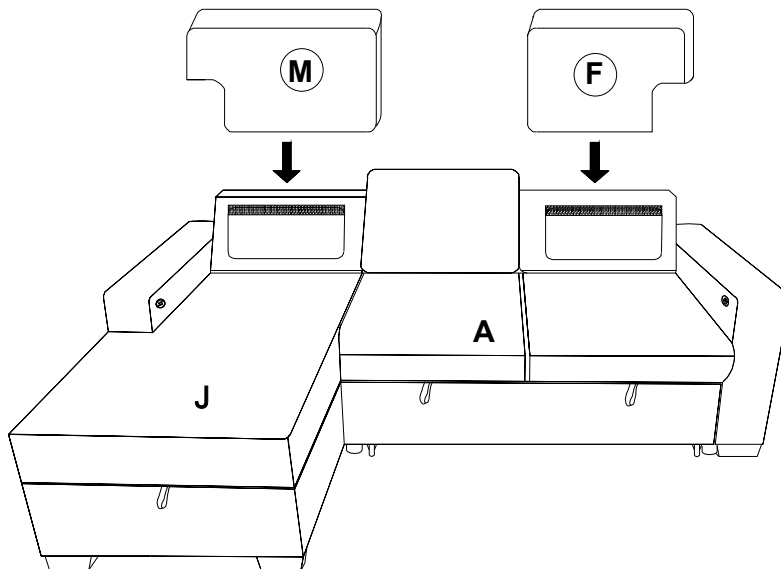


ASSEMBLY INSTRUCTION

Step 9

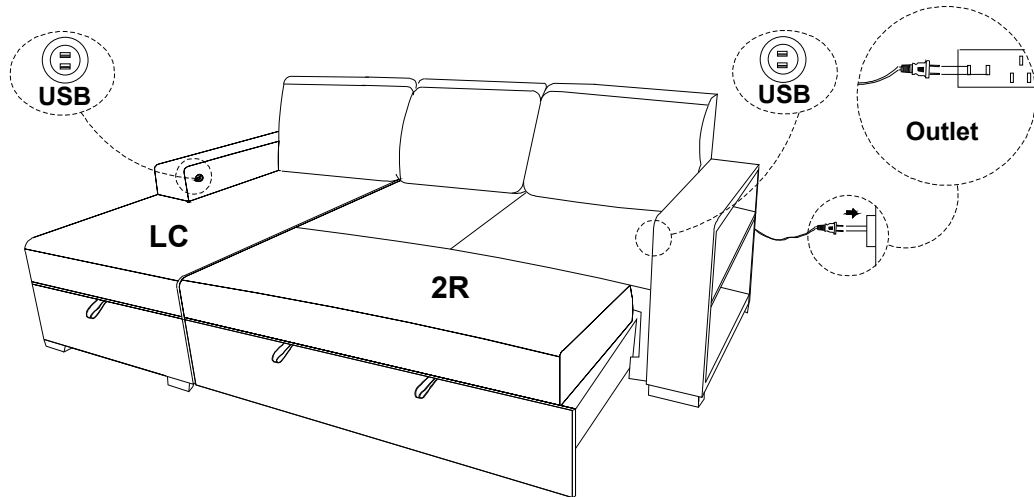


Step 10

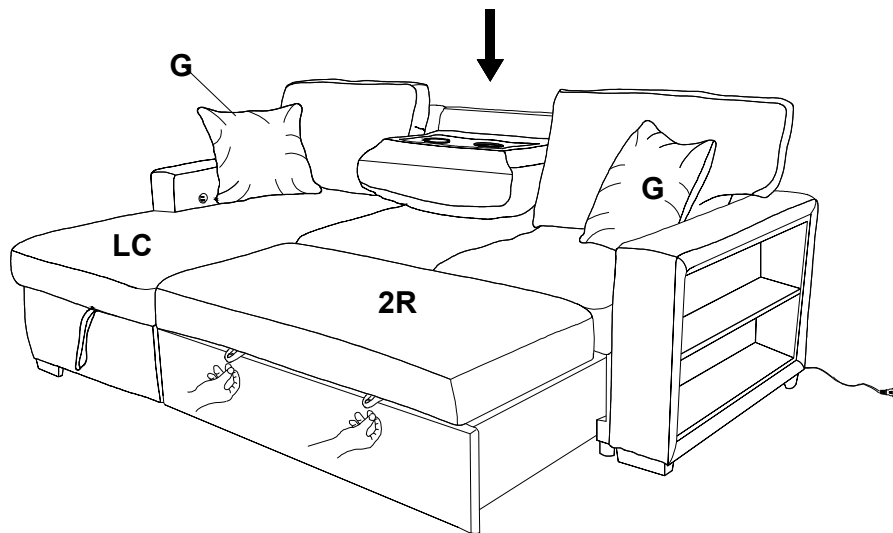


ASSEMBLY INSTRUCTION

Step 11



Step 12



Care Instruction for Boucle Furniture:

In order to maintain the original appearance of your Boucle furniture, please follow below simple care proceures:

- Avoid exposing furniture directly to sunlight or heating and air conditioning outlets.Sunlight and or exposure to heating and air conditioning outlets will fade/damage Boucle.
- Vacuum or wipe with a soft cloth to remove dust.
- Hardware may loosen over time. Periodically check to make sure all connection are tight, Re-tighten if necessary.



For item use on wooden floor,hard surfaces or carpets,it is recommended to install protective pads under all legs and supports to avoid/prevent from damages/scratches and discoloration.