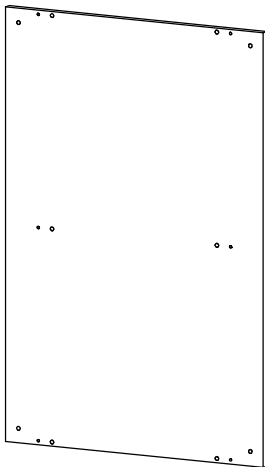
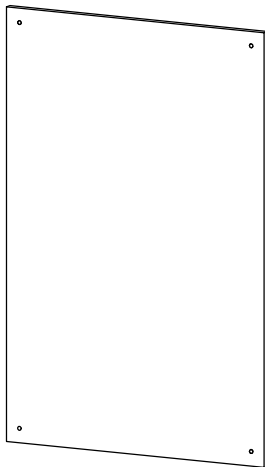


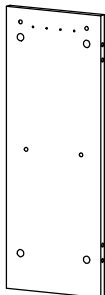
Ax1



Bx1



Cx1



Dx2



Ex1



Fx1



Gx1



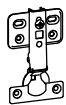
Hx12



Ix12



Jx18



Kx2



M3.5x $\frac{12}{0.5}$
Lx8



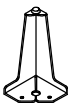
M3.5x $\frac{15}{0.6}$
Mx12



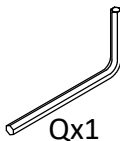
Nx4



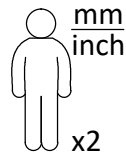
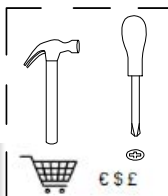
Ox4



Px4

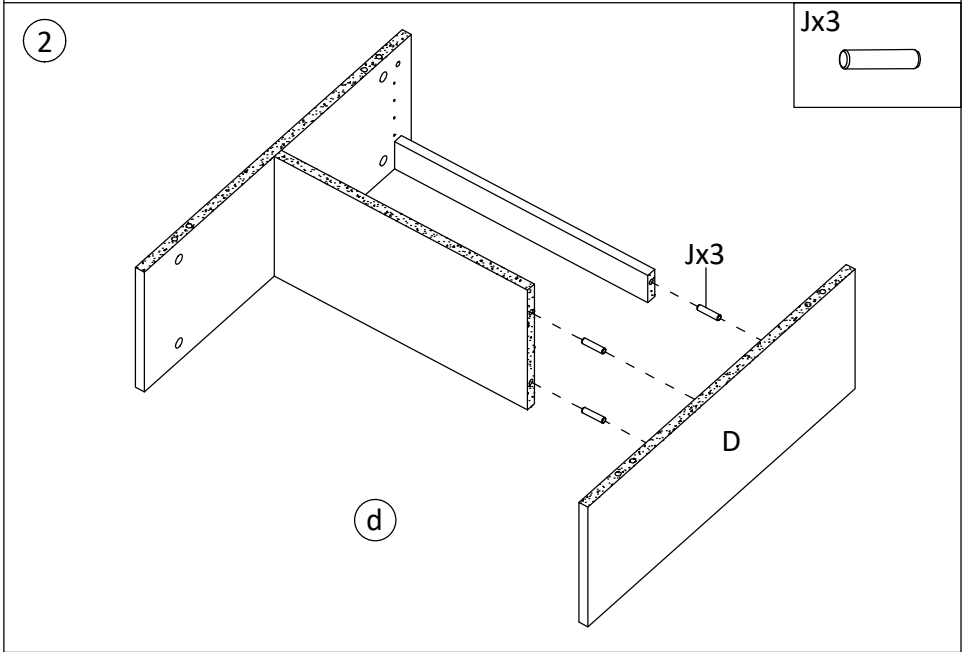
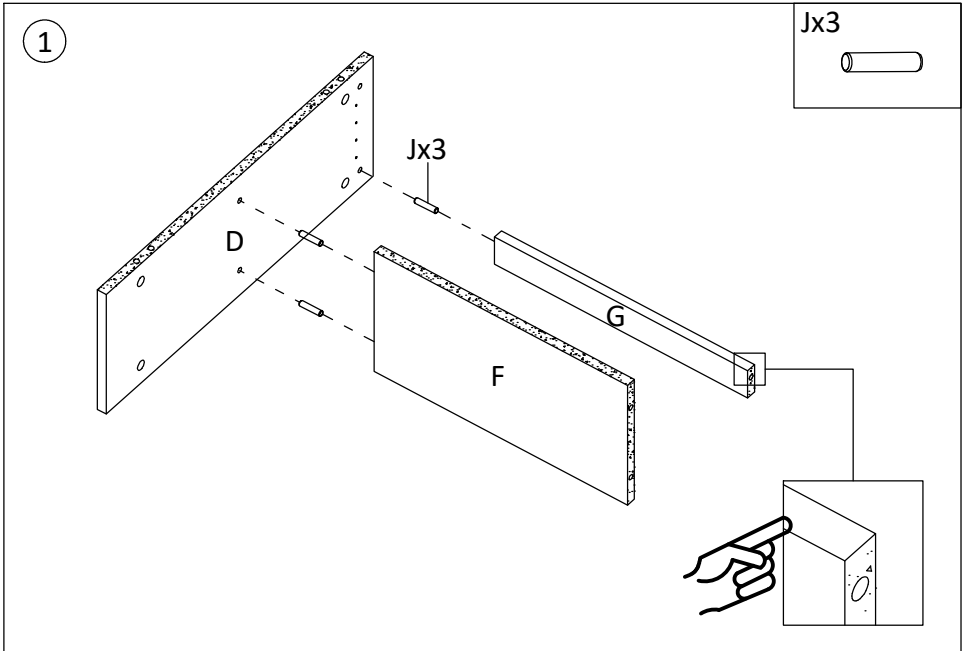


Qx1



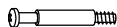
mm
inch

x2

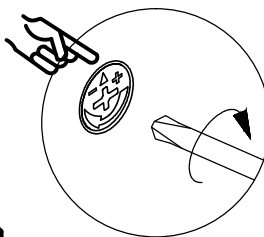
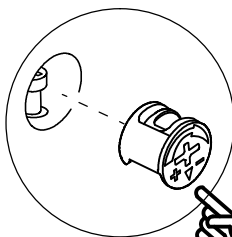
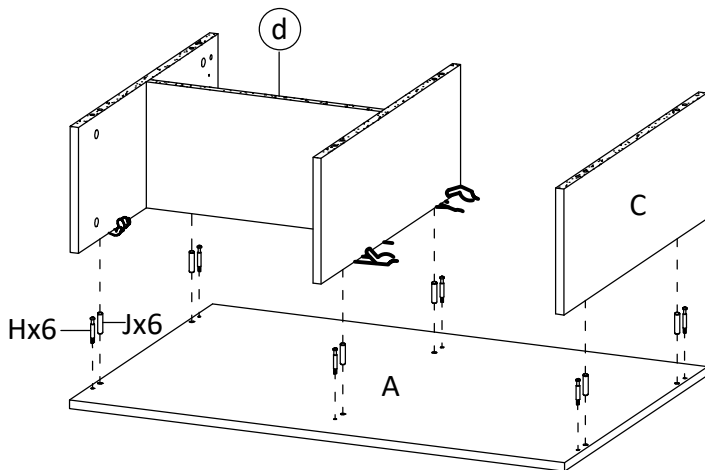


3

Hx6

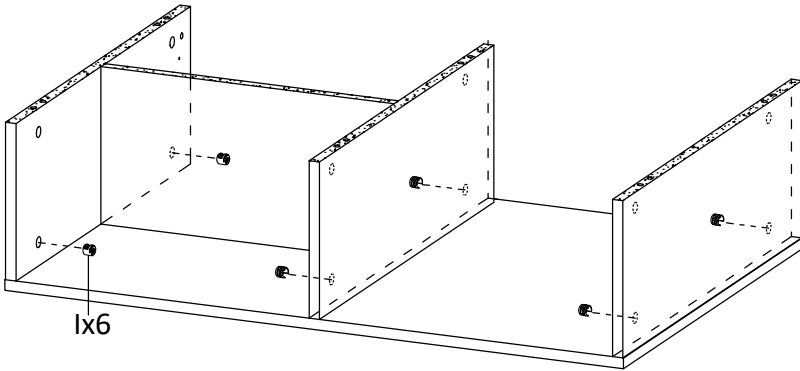


Jx6



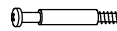
4

Ix6

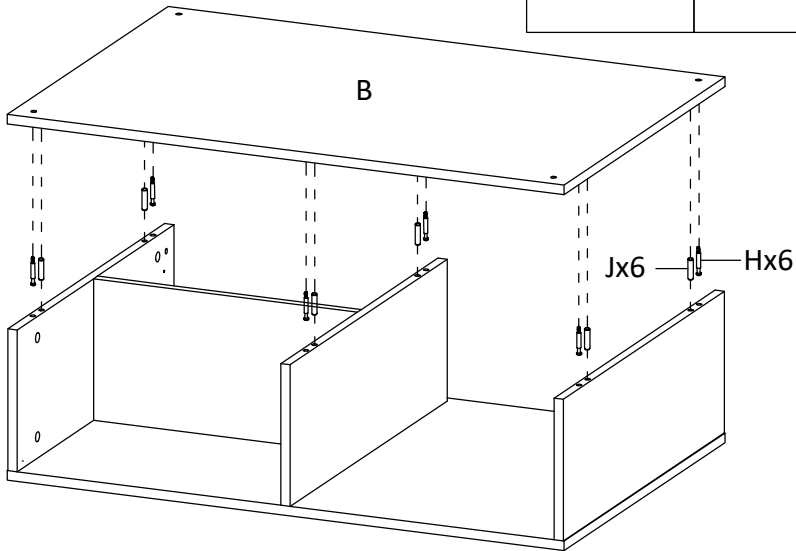


5

Hx6

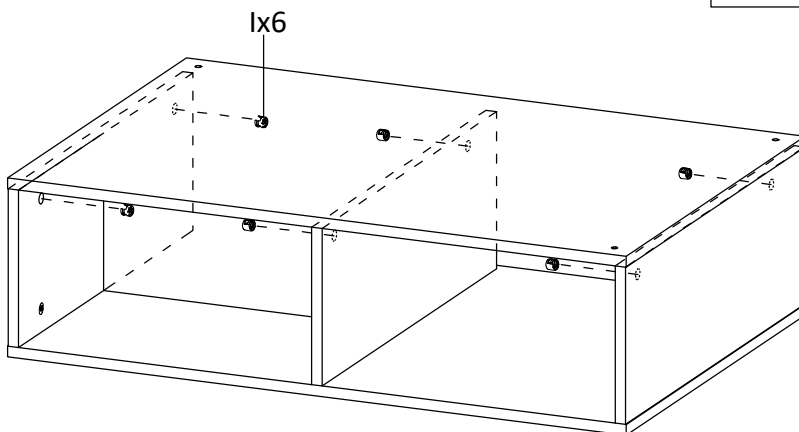


Jx6



6

lx6



7

Nx4



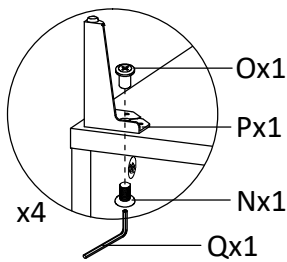
Ox4



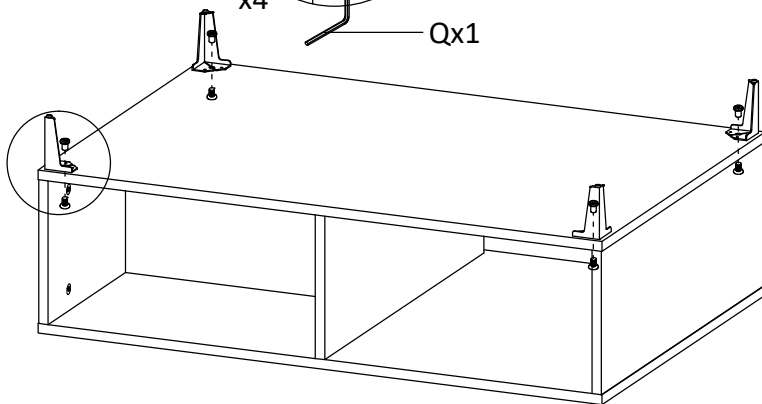
Px4



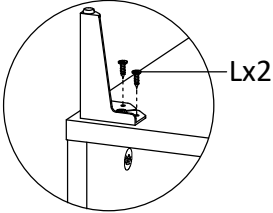
Qx1



x4



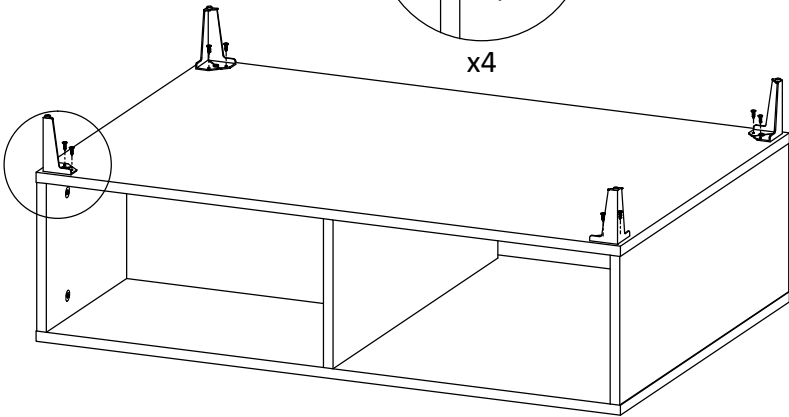
8



Lx8
M3.5x12
0.5

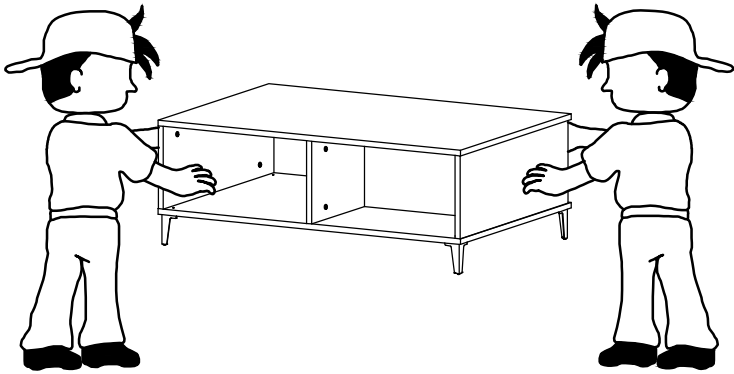
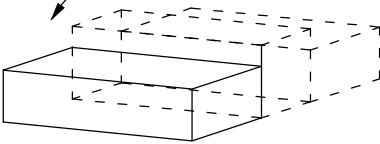


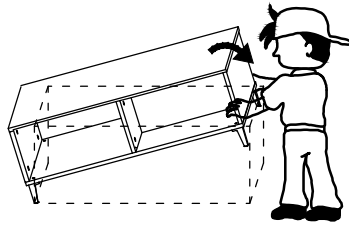
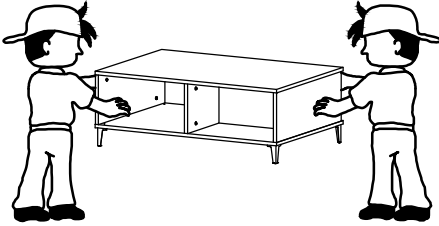
x4



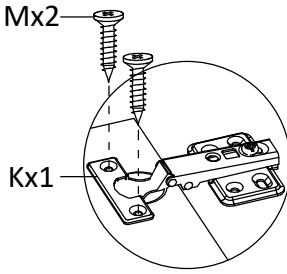
9

180°

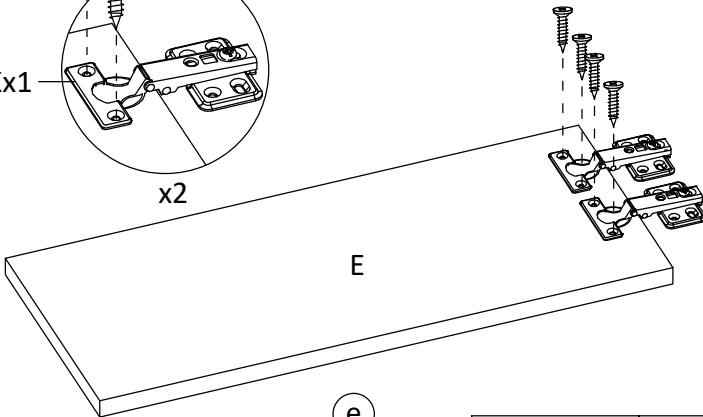




11



x2



e

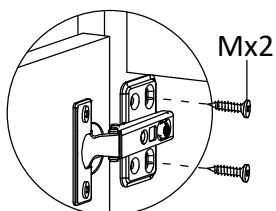
Kx2



Mx4
M3.5x $\frac{15}{0.6}$

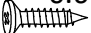


12

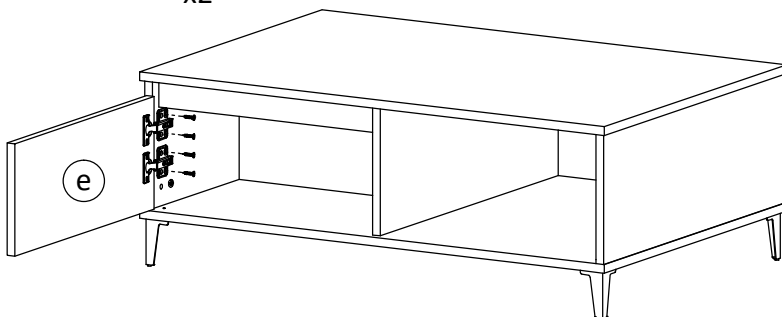


x2

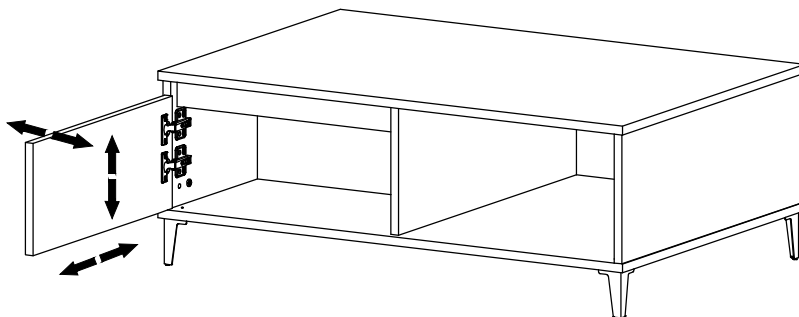
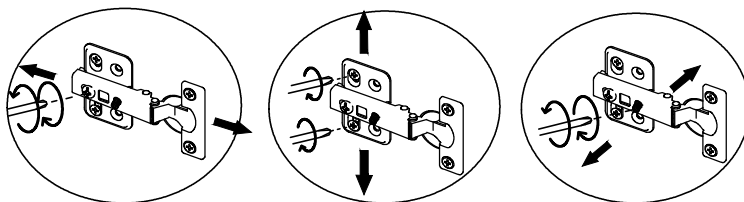
Mx4
M3.5x15
0.6



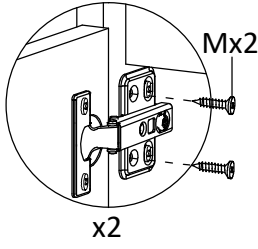
A technical drawing of a screw with a Phillips head and a pointed tip. The text 'Mx4', 'M3.5x15', and '0.6' is arranged vertically to the left of the screw icon.



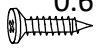
13



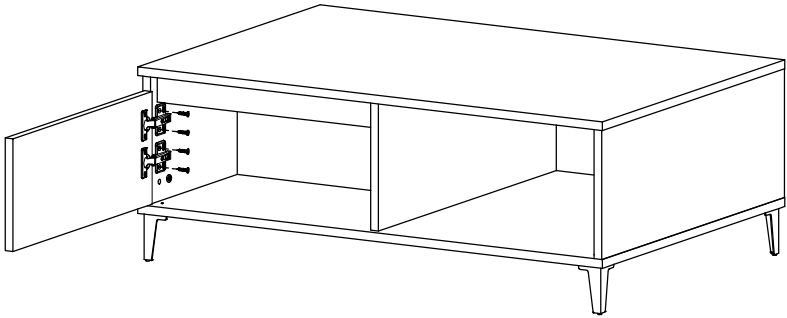
14



Mx4 15
M3.5x0.6



Technical specifications for the screws used in step 14. The first line indicates 'Mx4 15' and the second line indicates 'M3.5x0.6'. To the right of the text is a small icon of a screw.



15

