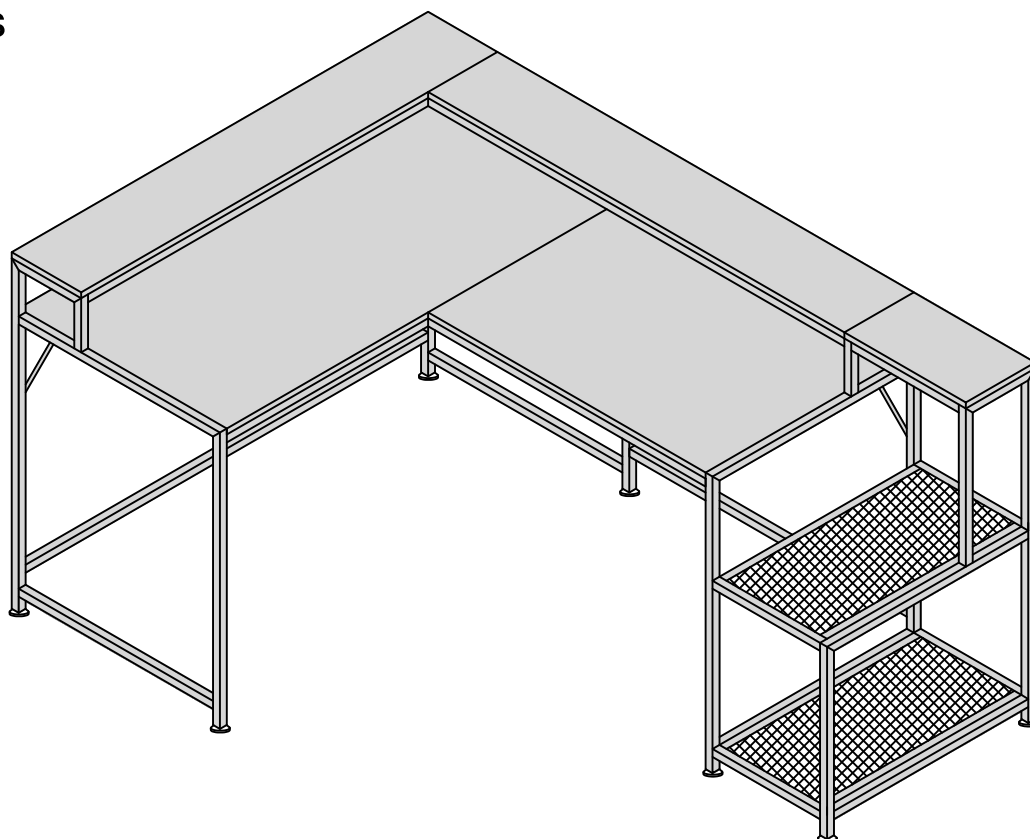
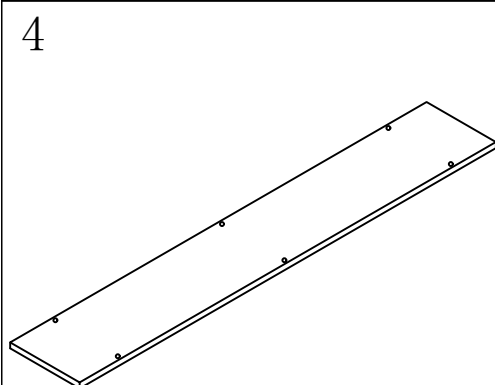
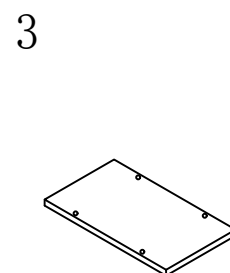
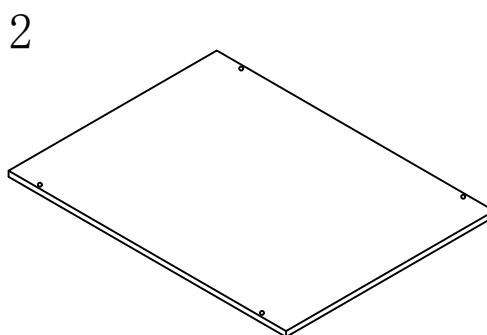
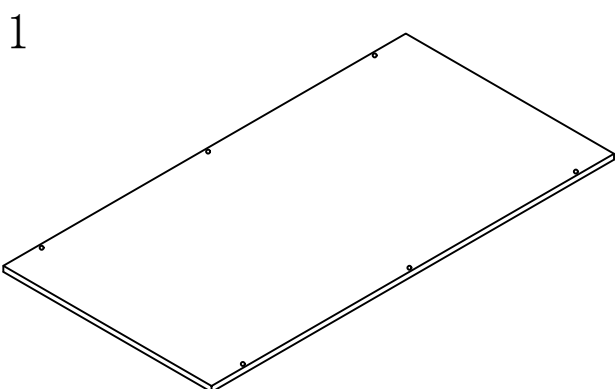


ASSEMBLY INSTRUCTION FOR DX-JW0287 P1

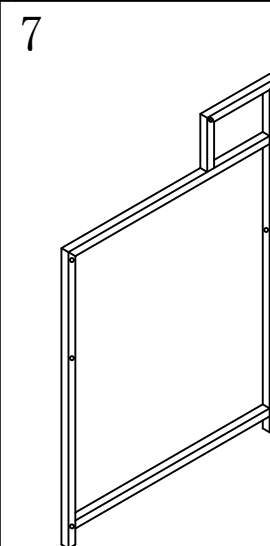
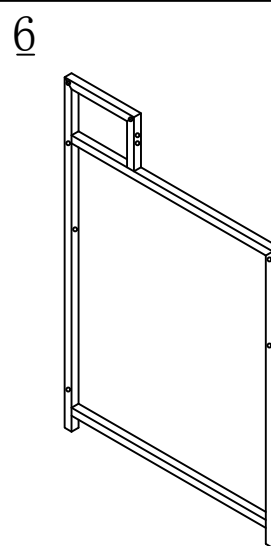
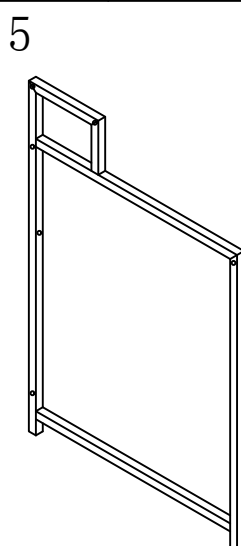
Tribesigns
Corner Desk



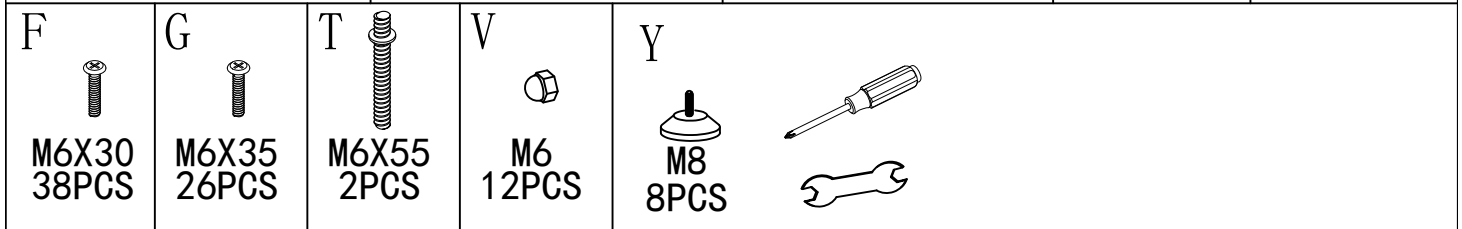
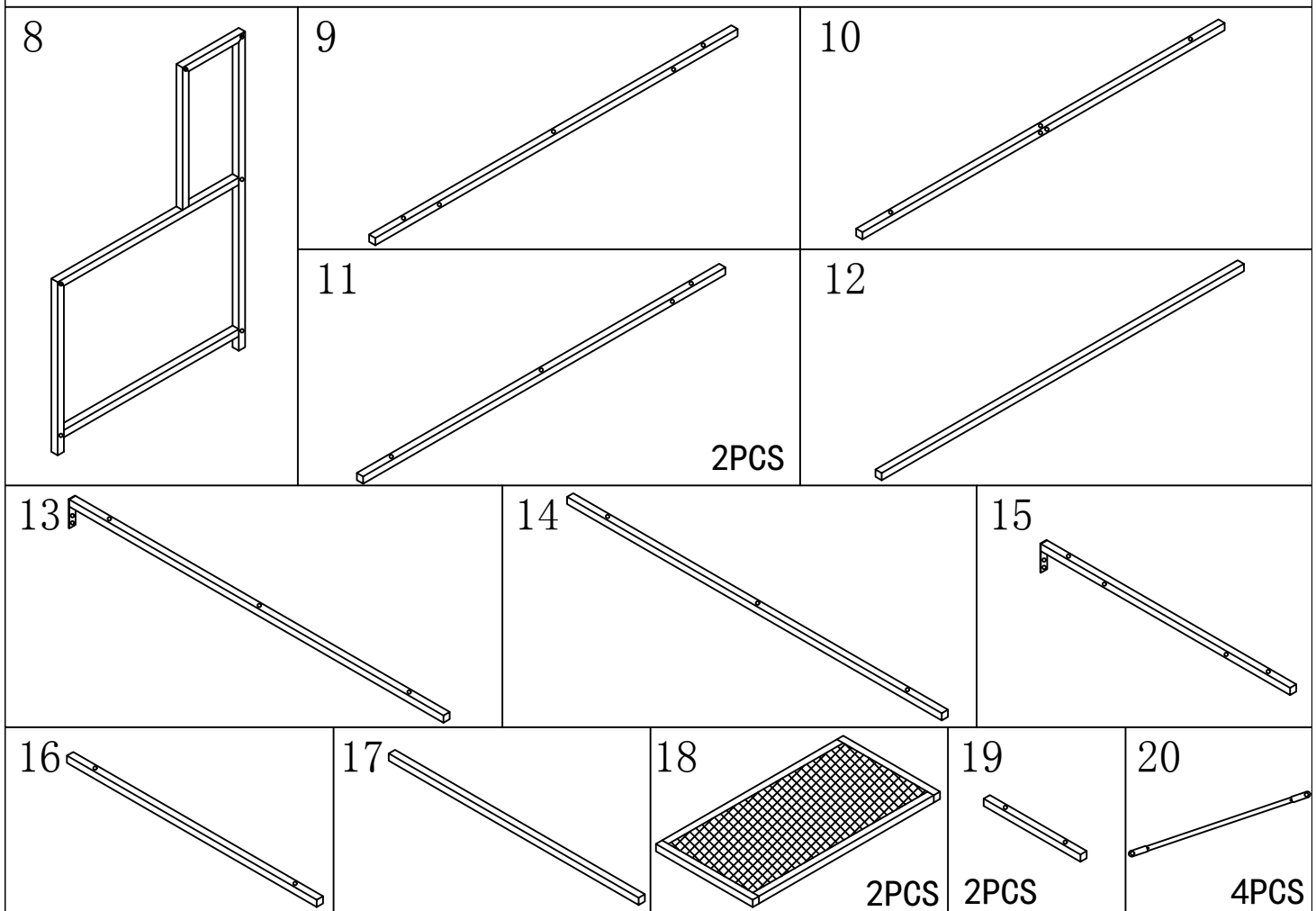
Notes: Don't tighten screws completely at first, just in case parts were assembled wrong and need disassemble. Tighten screws at last when all parts are put together


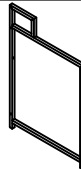





2PCS

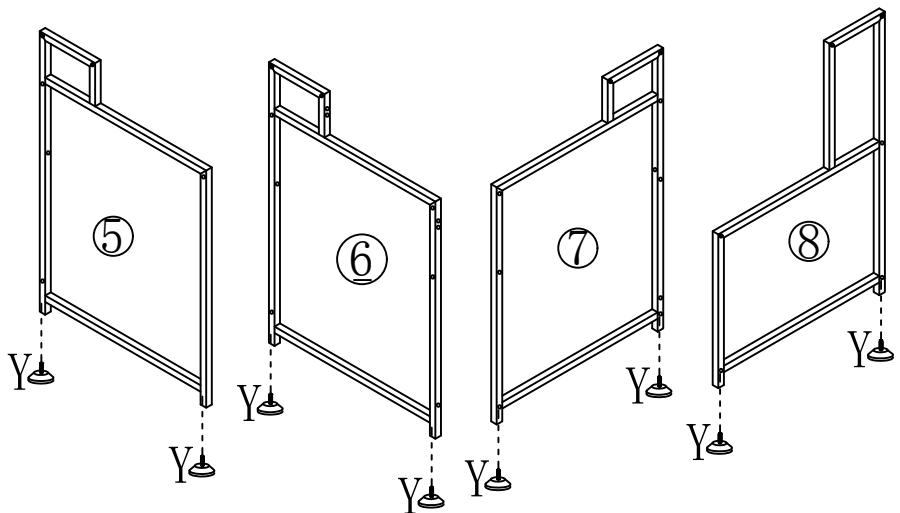



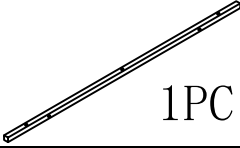
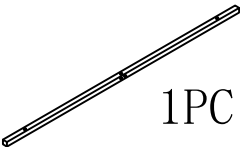
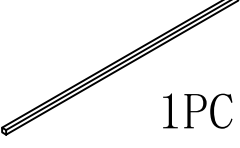
ASSEMBLY INSTRUCTION FOR DX-JW0287 P2



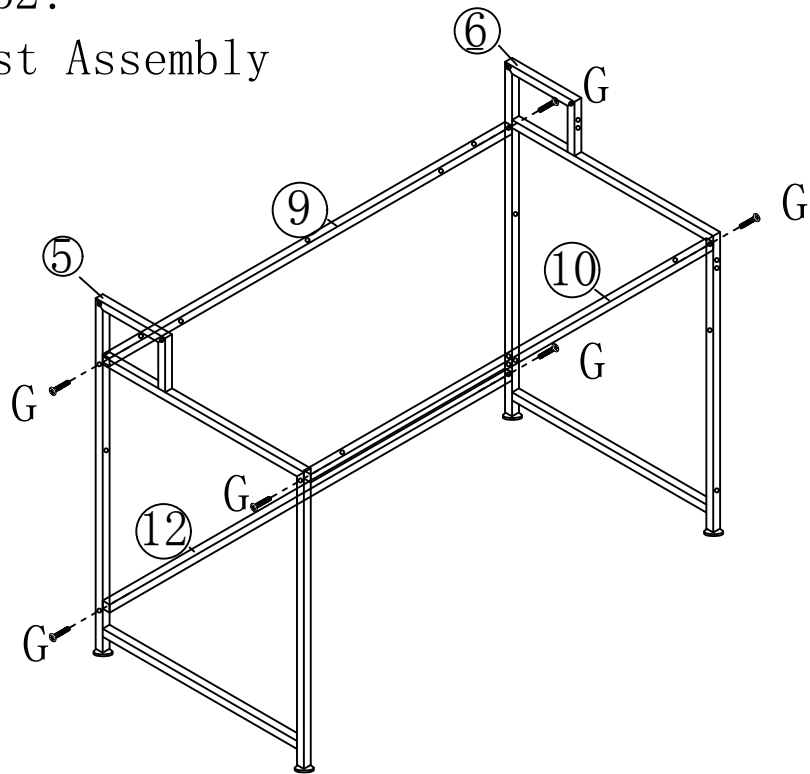
Y		8PCS
5		1PC
6		1PC
7		1PC
8		1PC


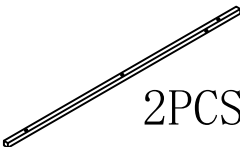
Step1



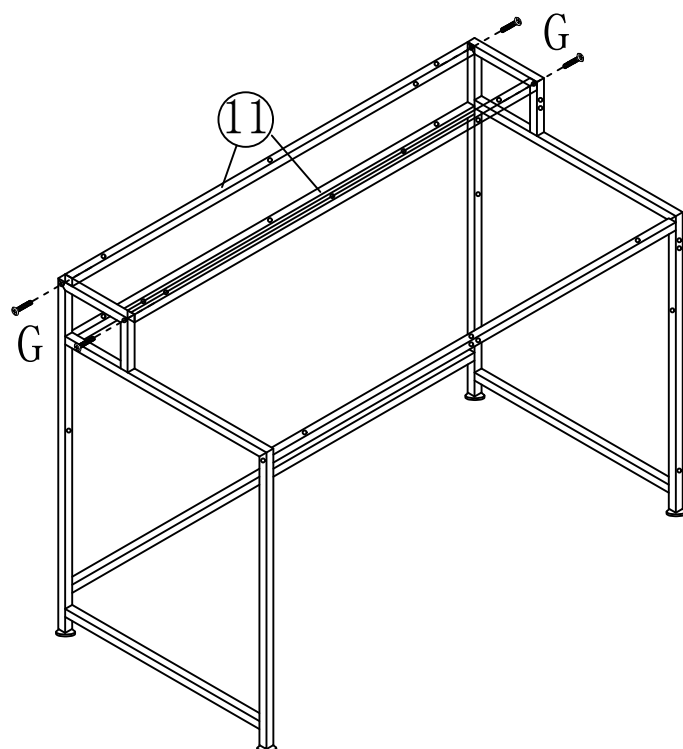
G		6PCS
9		1PC
10		1PC
12		1PC

Step2:
First Assembly




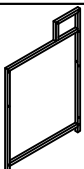
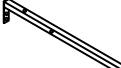
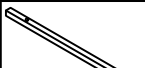
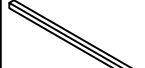


G		4PCS
11		2PCS

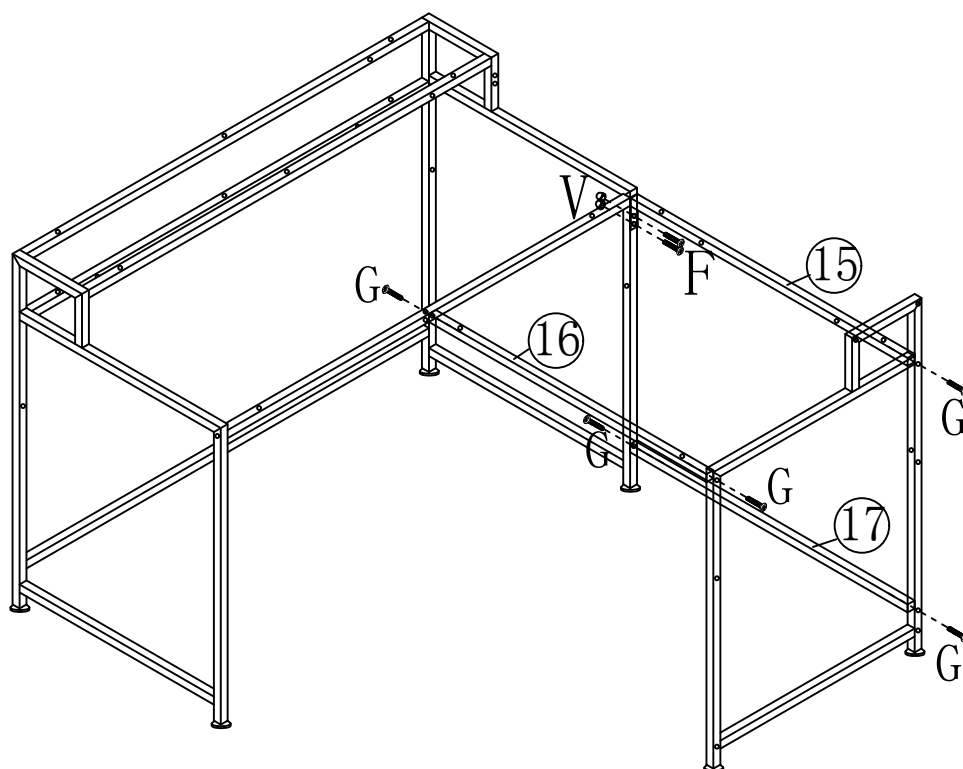
Step3




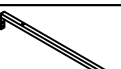
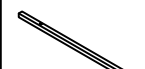


ASSEMBLY INSTRUCTION FOR DX-JW0287 P4

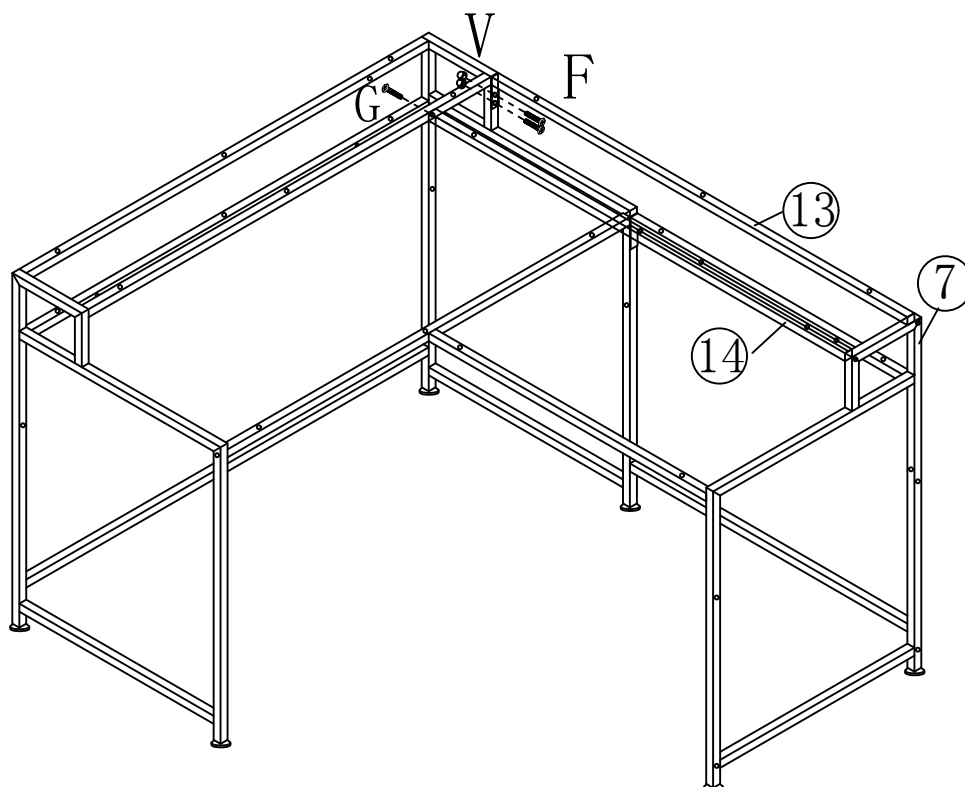
F		2PCS
G		5PCS
V		2PCS
7		1PC
15		1PC
16		1PC
17		1PC

Step4


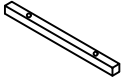


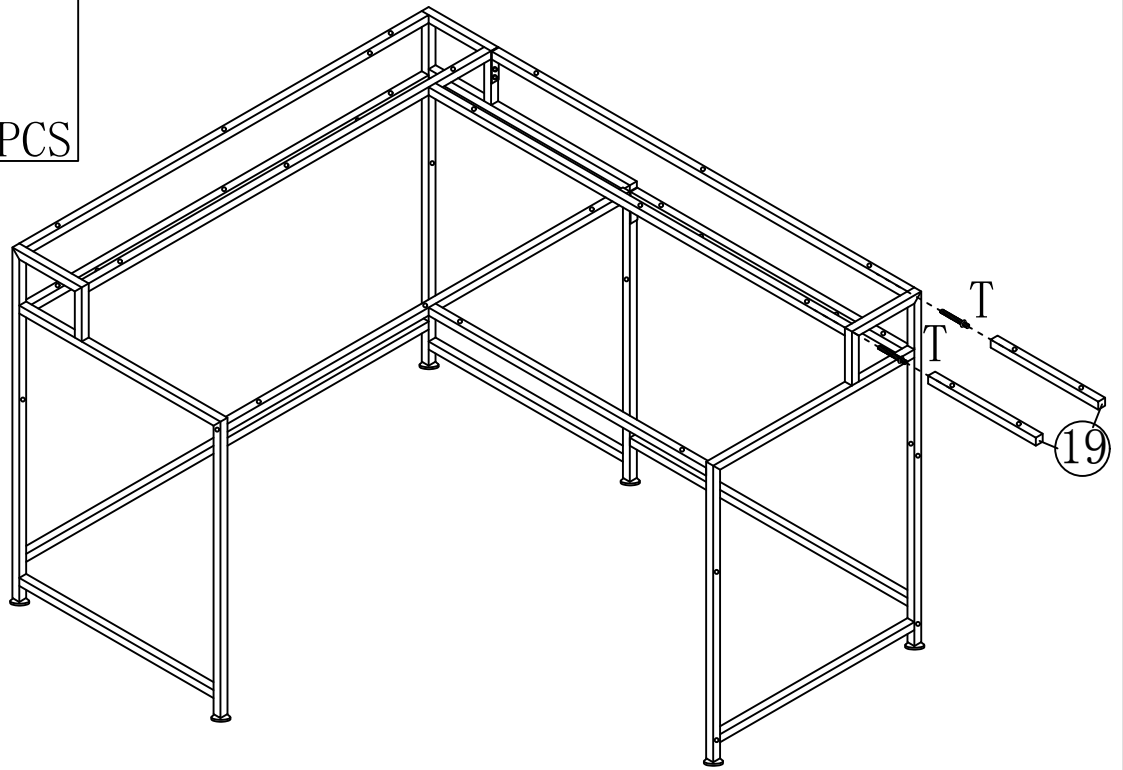
F		2PCS
G		1PCS
V		2PCS
13		1PC
14		1PC



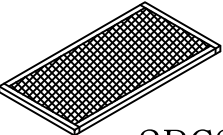
Step5

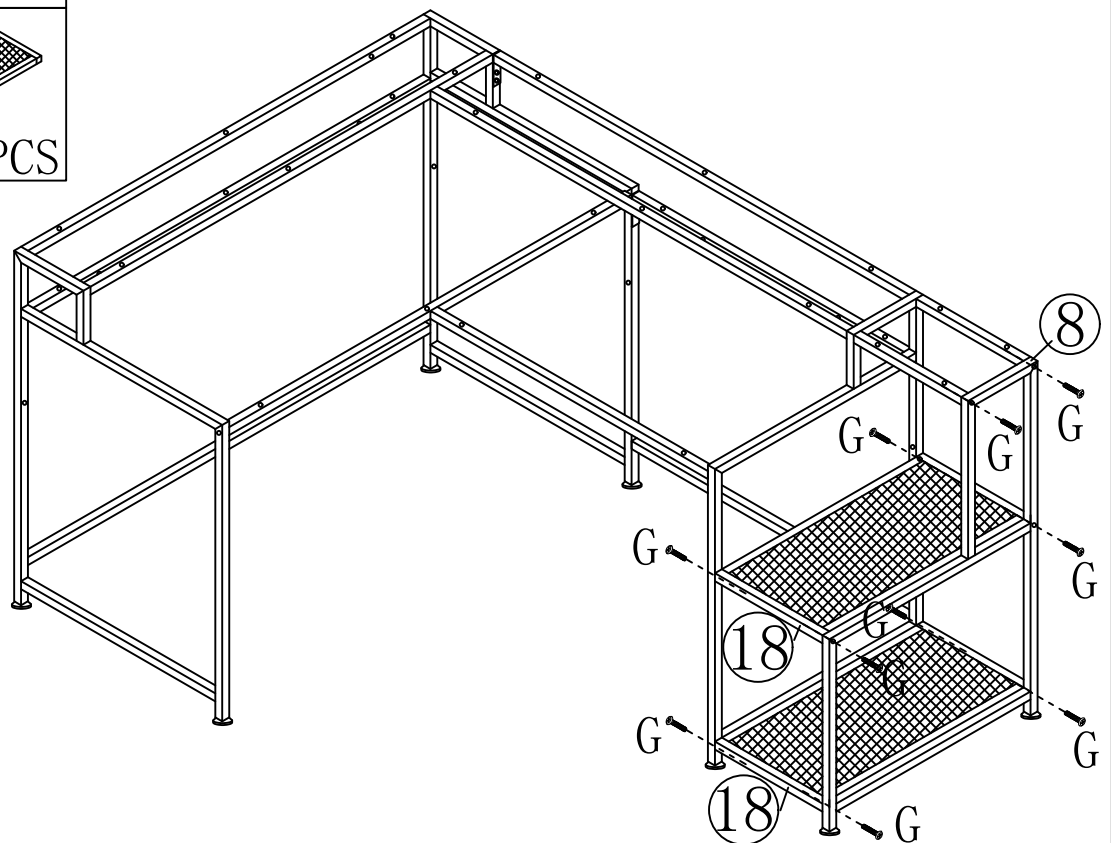


ASSEMBLY INSTRUCTION FOR DX-JW0287 P5

T		2PCS	Step6
19		2PCS	

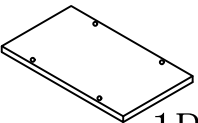


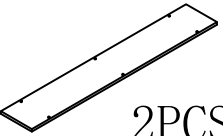
G		10PCS	Step7
8		1PC	
18		2PCS	

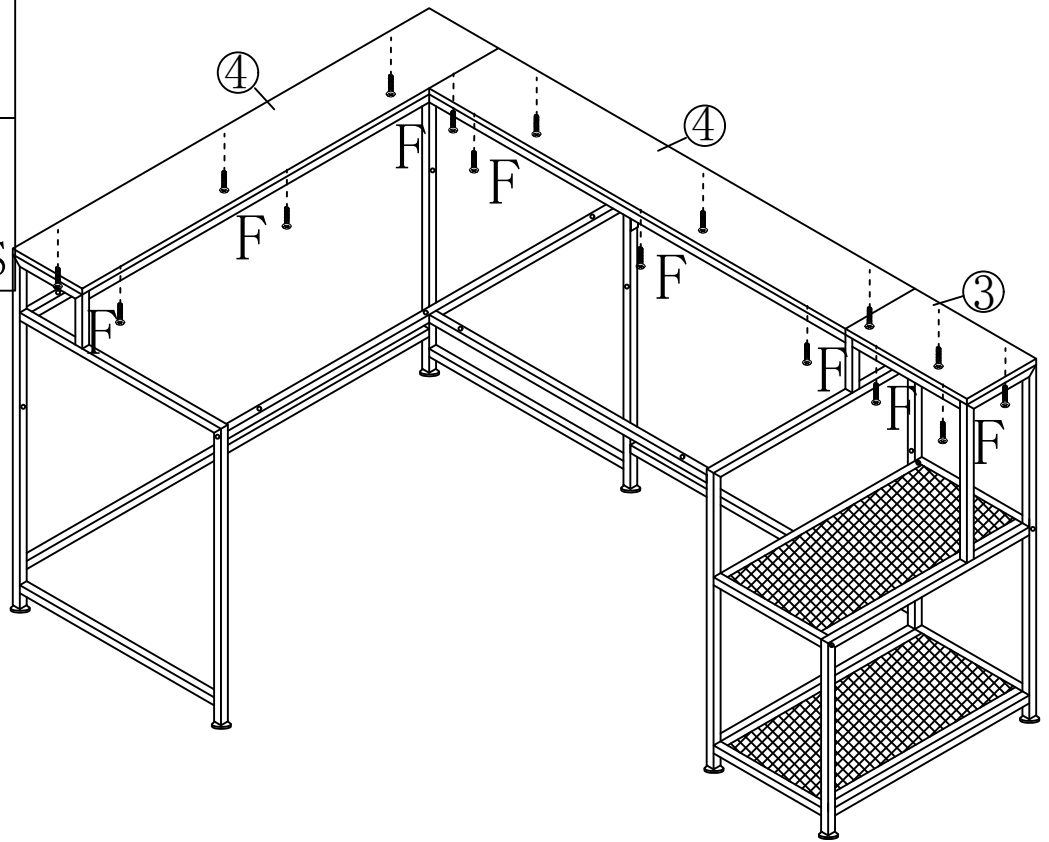


ASSEMBLY INSTRUCTION FOR DX-JW0287 P6

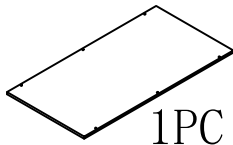
F  16PCS Step8

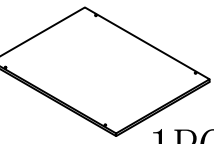
3  1PC

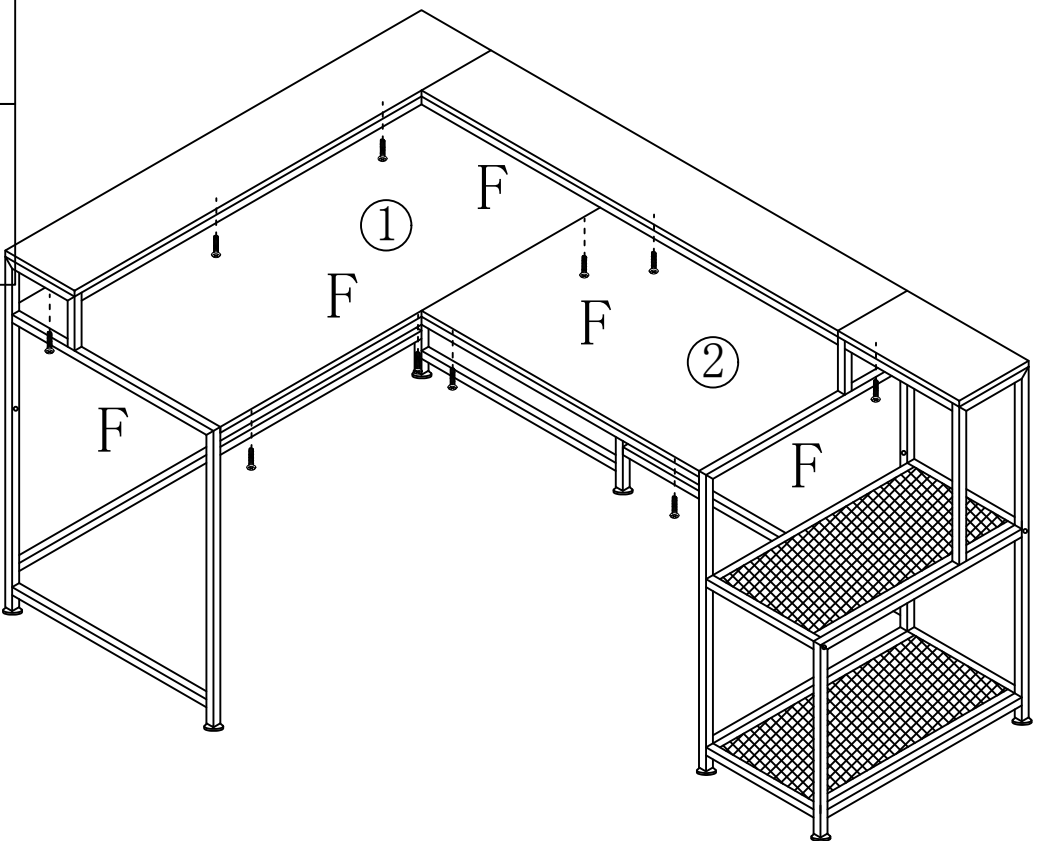
4  2PCS





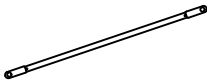
F  10PCS Step9

1  1PC

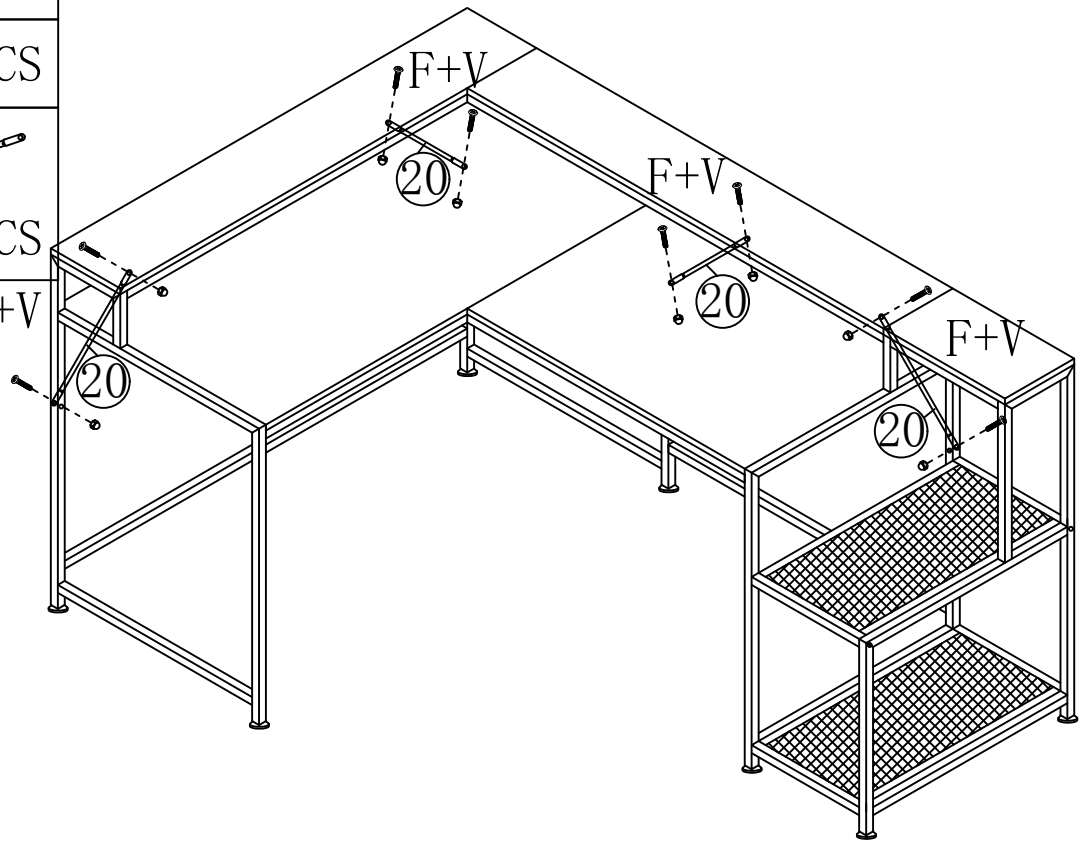
2  1PC



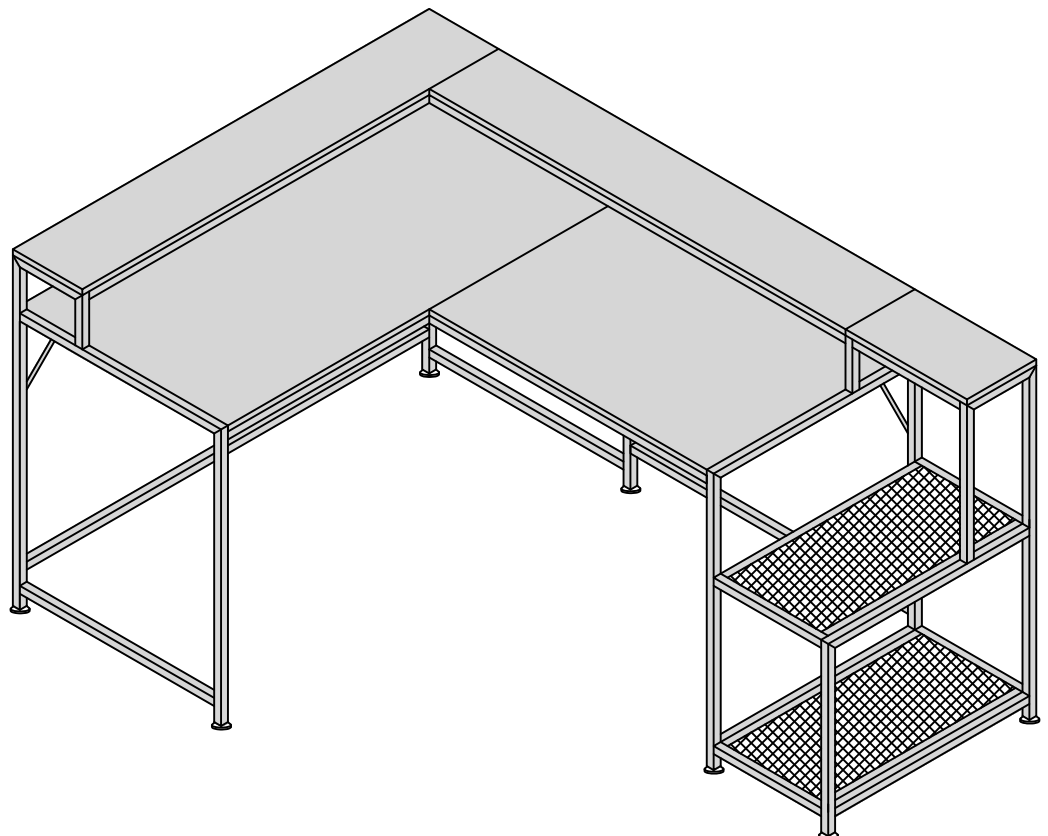
ASSEMBLY INSTRUCTION FOR DX-JW0287 P7


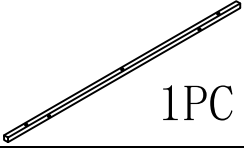
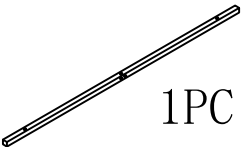
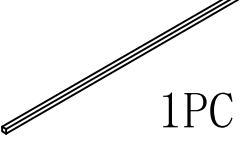
F		8PCS
V		8PCS
20		4PCS

Step10

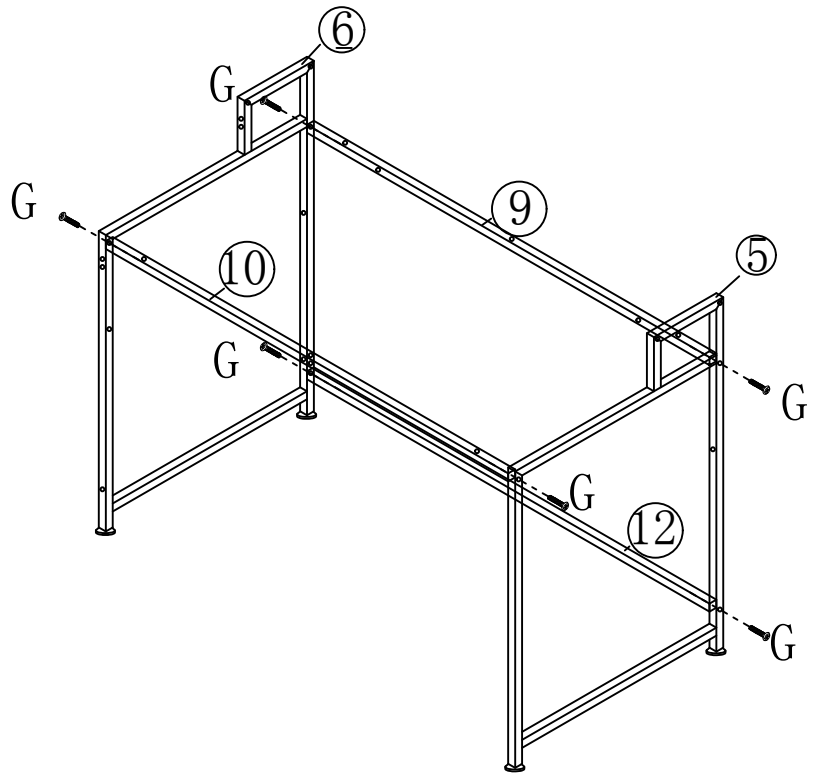



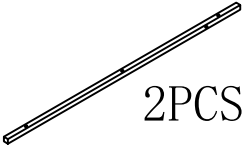
Step11



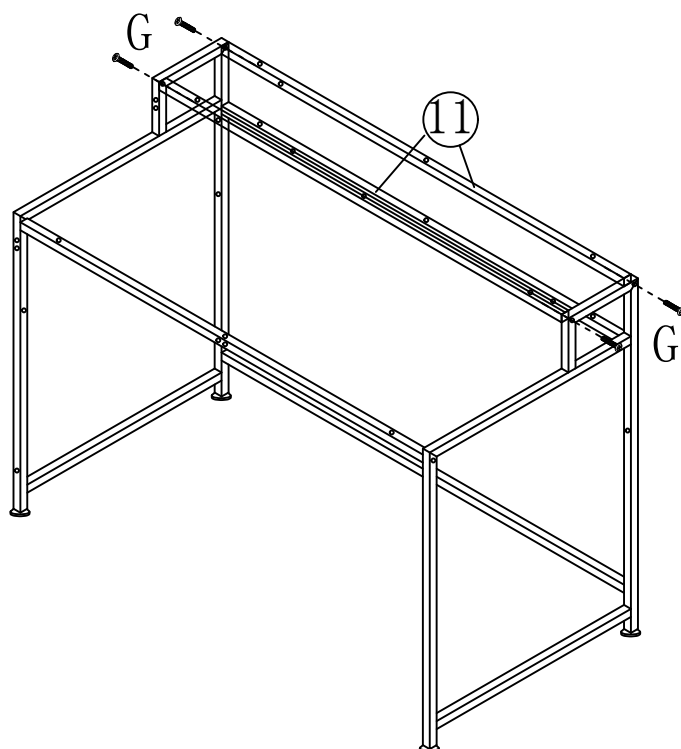
G		6PCS
9		1PC
10		1PC
12		1PC




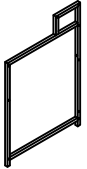
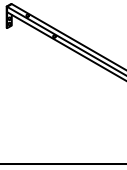
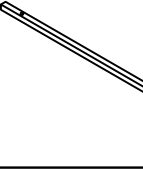
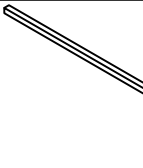
Step2:
The Second Assembly



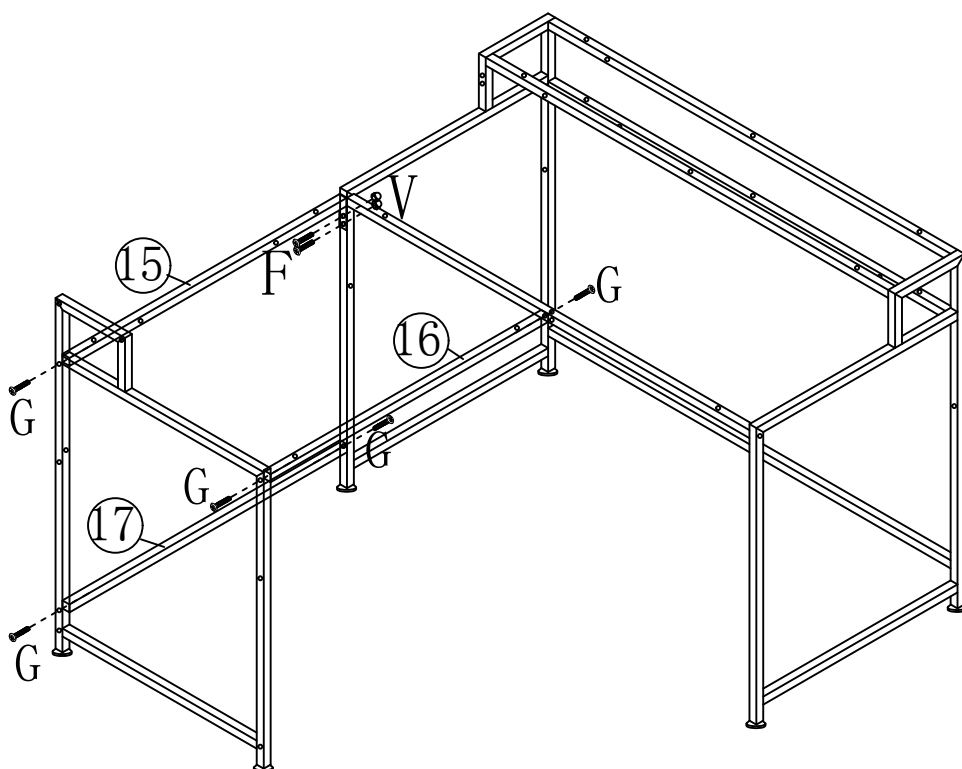
G		4PCS
11		2PCS





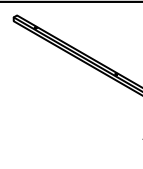
Step3



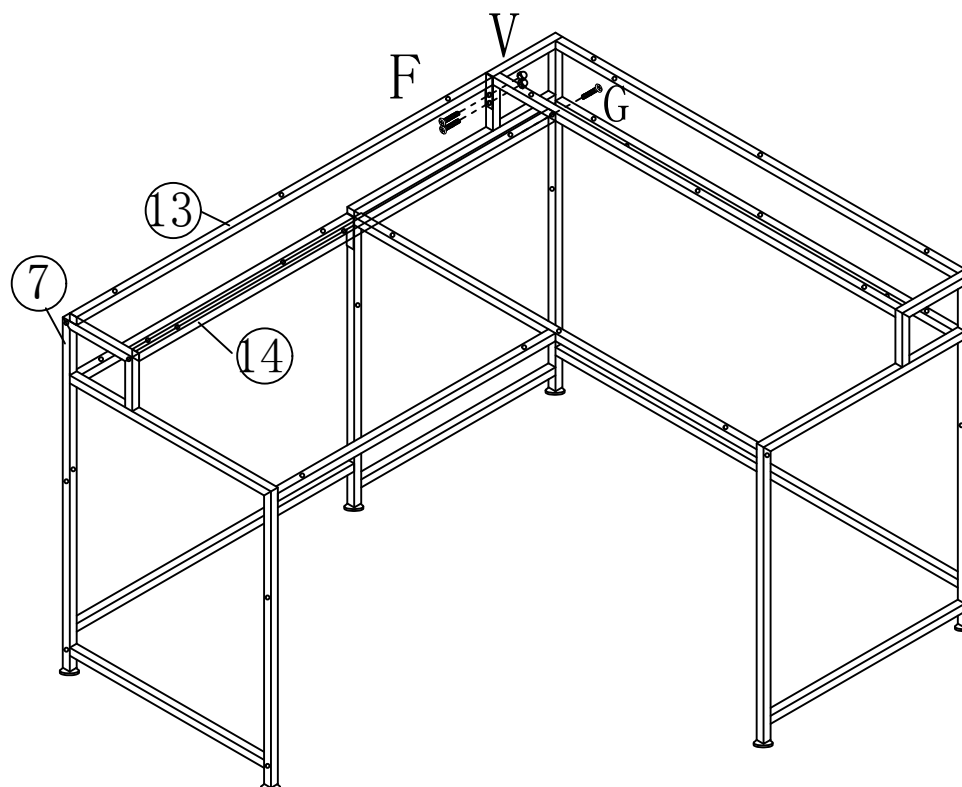
F		2PCS
G		5PCS
V		2PCS
7		1PC
15		1PC
16		1PC
17		1PC

Step4


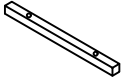


F		2PCS
G		1PCS
V		2PCS
13		1PC
14		1PC

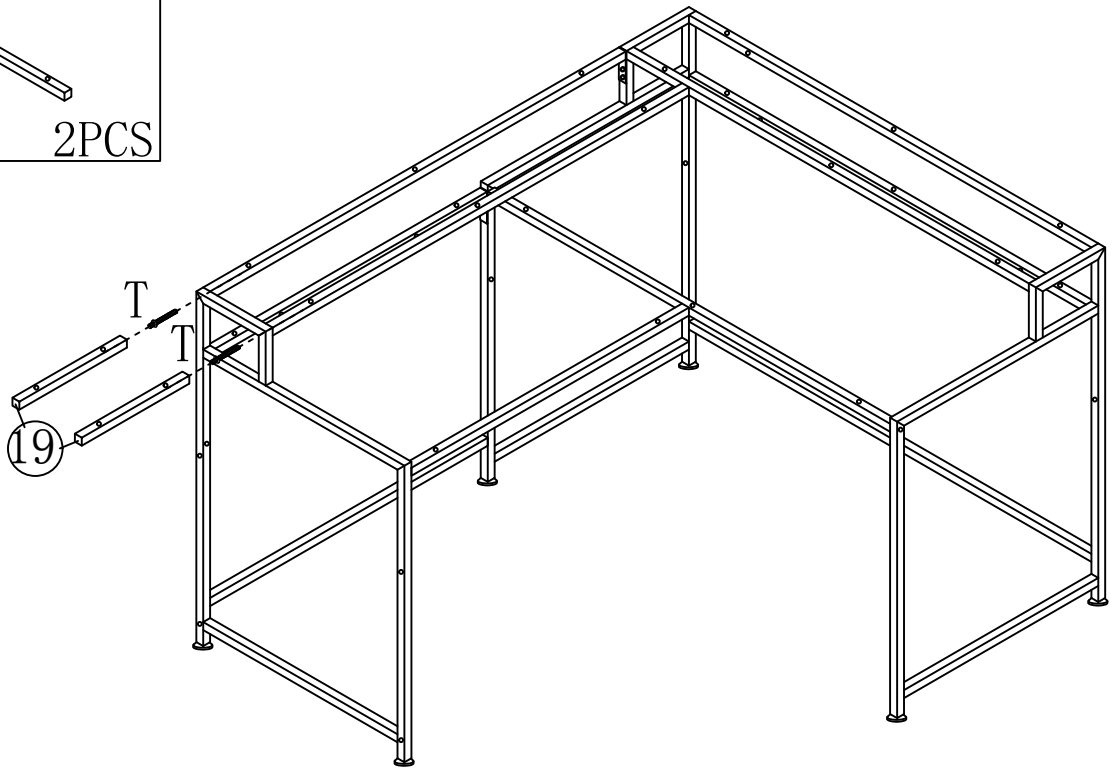
Step5



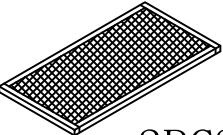


ASSEMBLY INSTRUCTION FOR DX-JW0287 P10

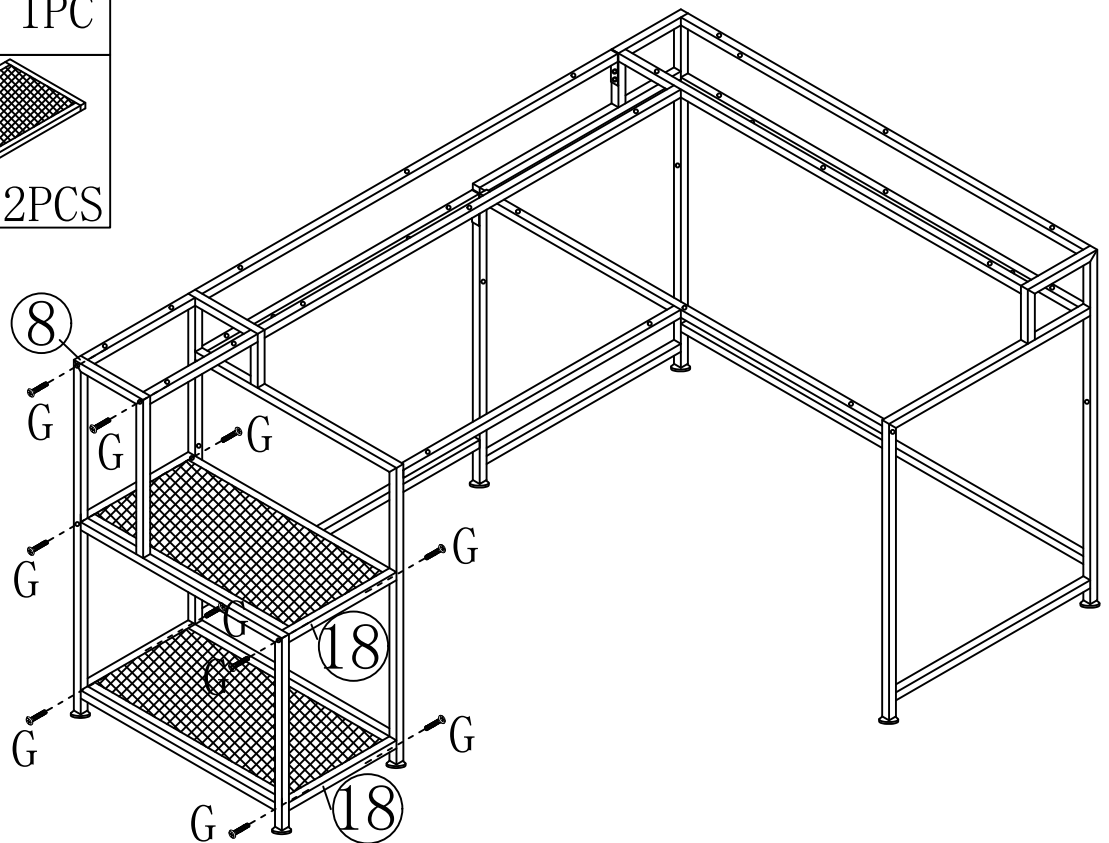
T		2PCS
19		2PCS

Step6


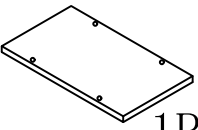
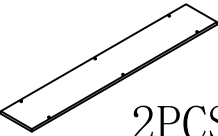


G		10PCS
8		1PC
18		2PCS

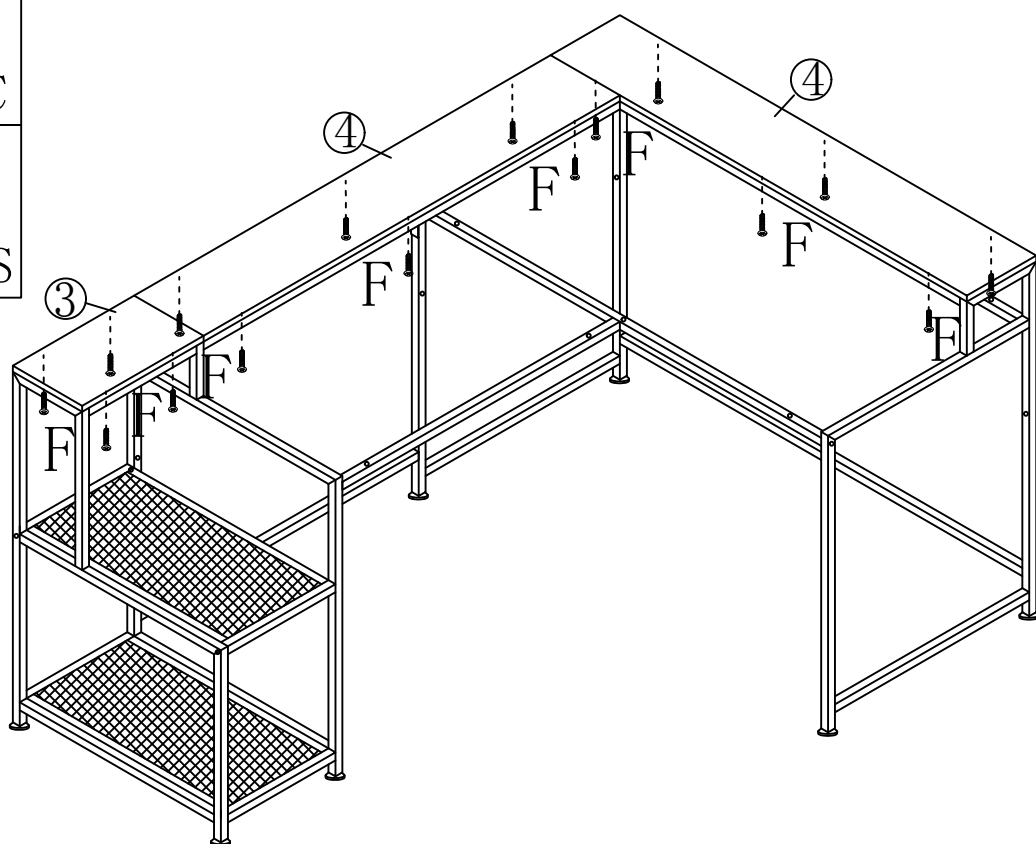
Step7


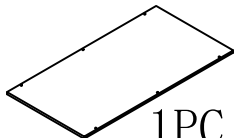
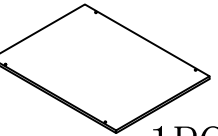


ASSEMBLY INSTRUCTION FOR DX-JW0287 P11

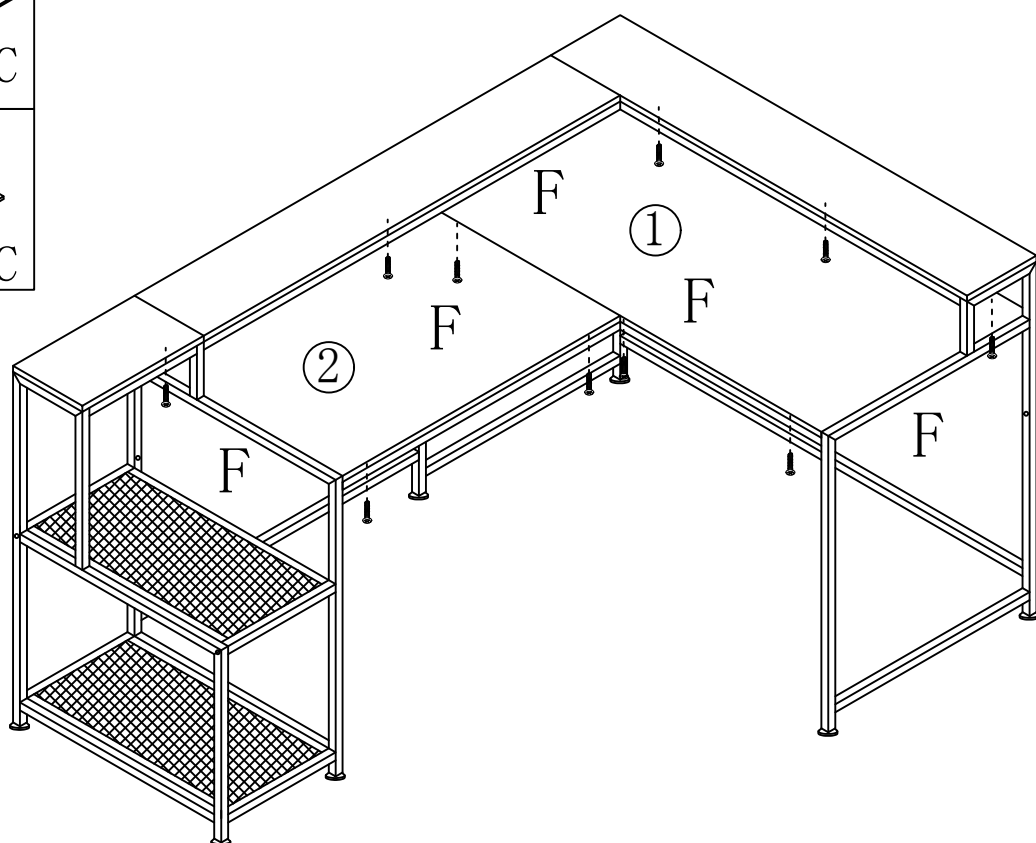
F		16PCS
3		1PC
4		2PCS

Step8



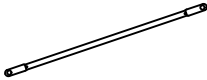


F		10PCS
1		1PC
2		1PC

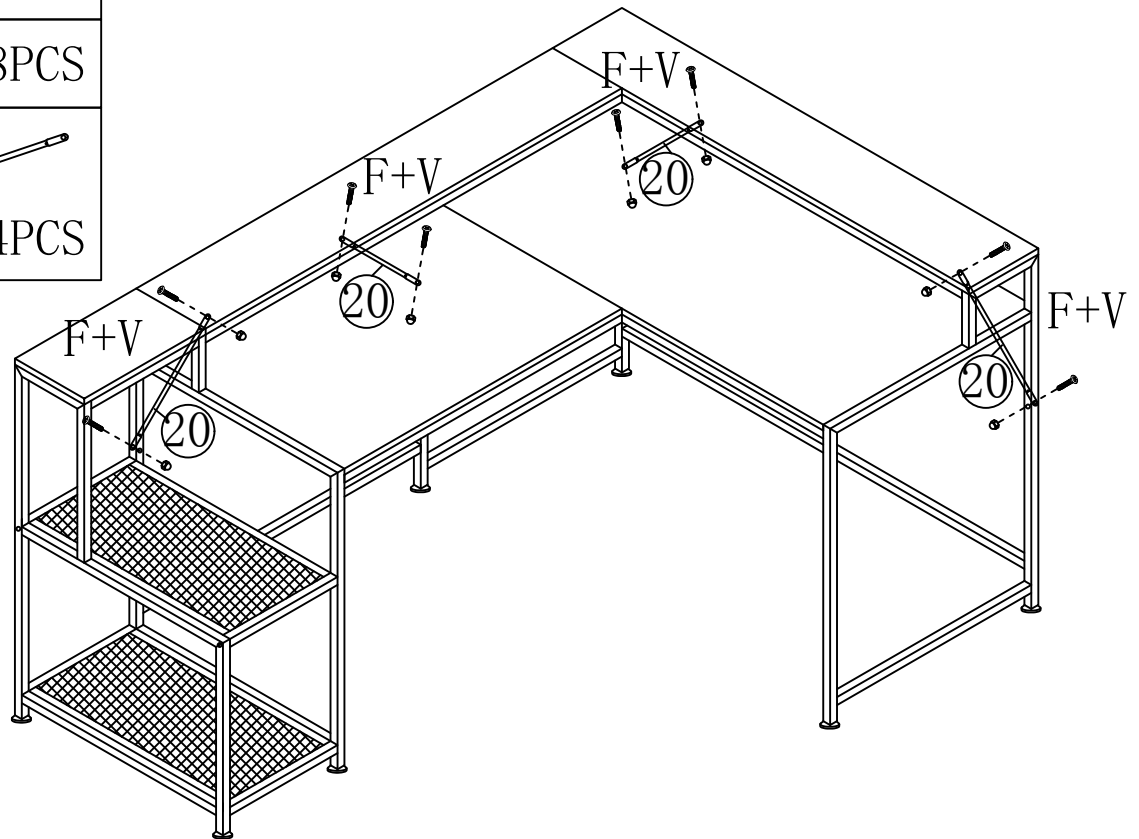
Step9



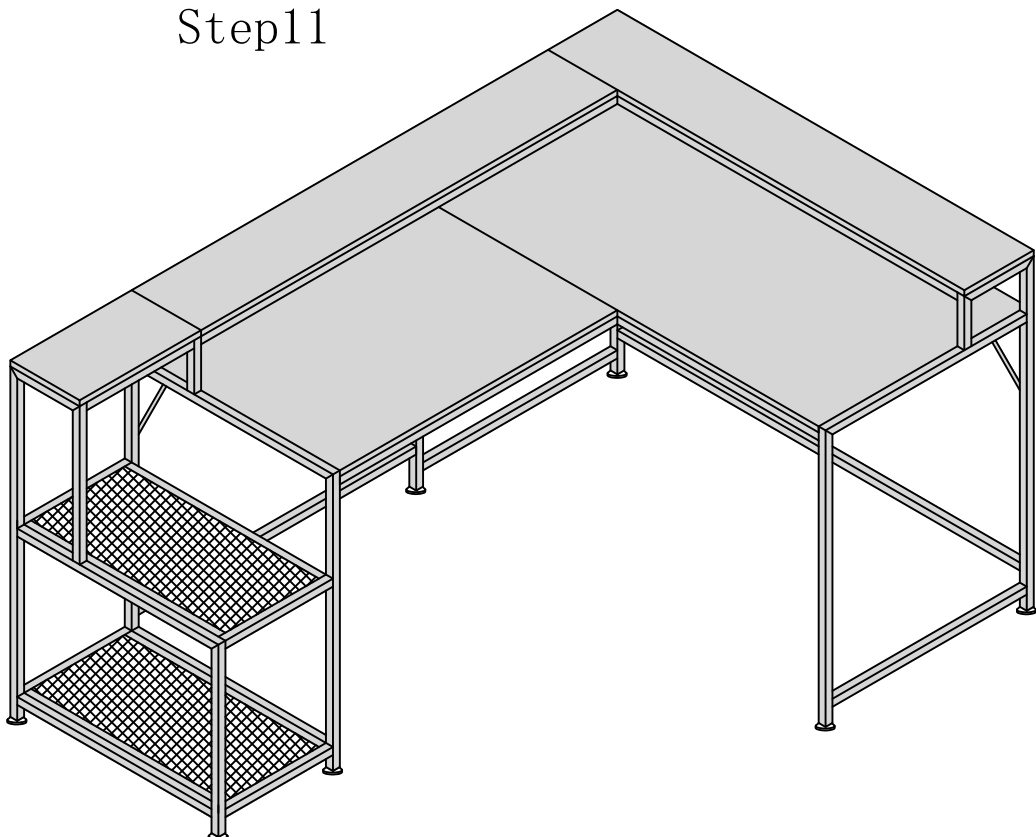
ASSEMBLY INSTRUCTION FOR DX-JW0287 P12

F		8PCS
V		8PCS
20		4PCS

Step10



Step11



Thanks for choosing Tribesigns File cabinets , your satisfaction is our priority.
If you have any installation problems or any damages caused by shipping, feel free to contact us at " support@tribesigns.com", our friendly customer service will solve problem for you
www.tribesigns.com