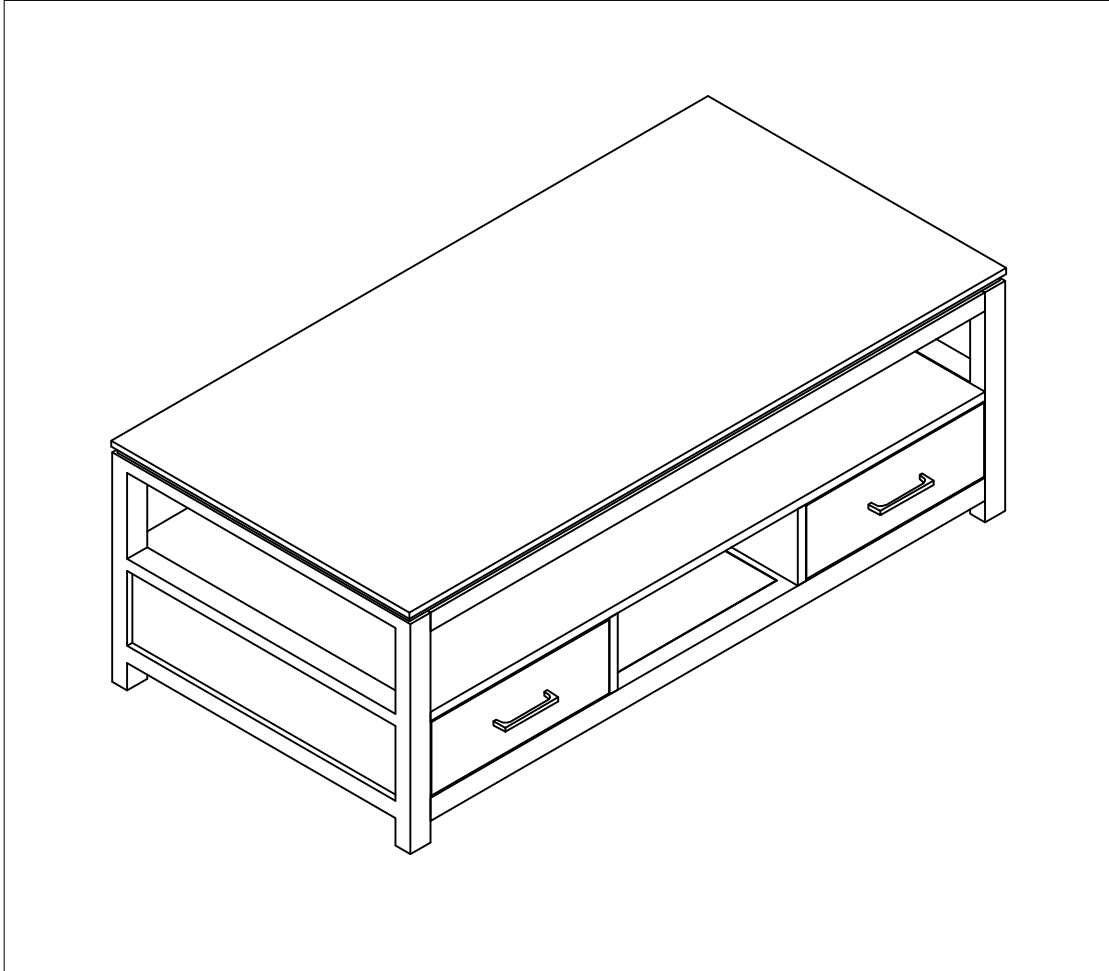


ASSEMBLY INSTRUCTIONS

COFFEE TABLE

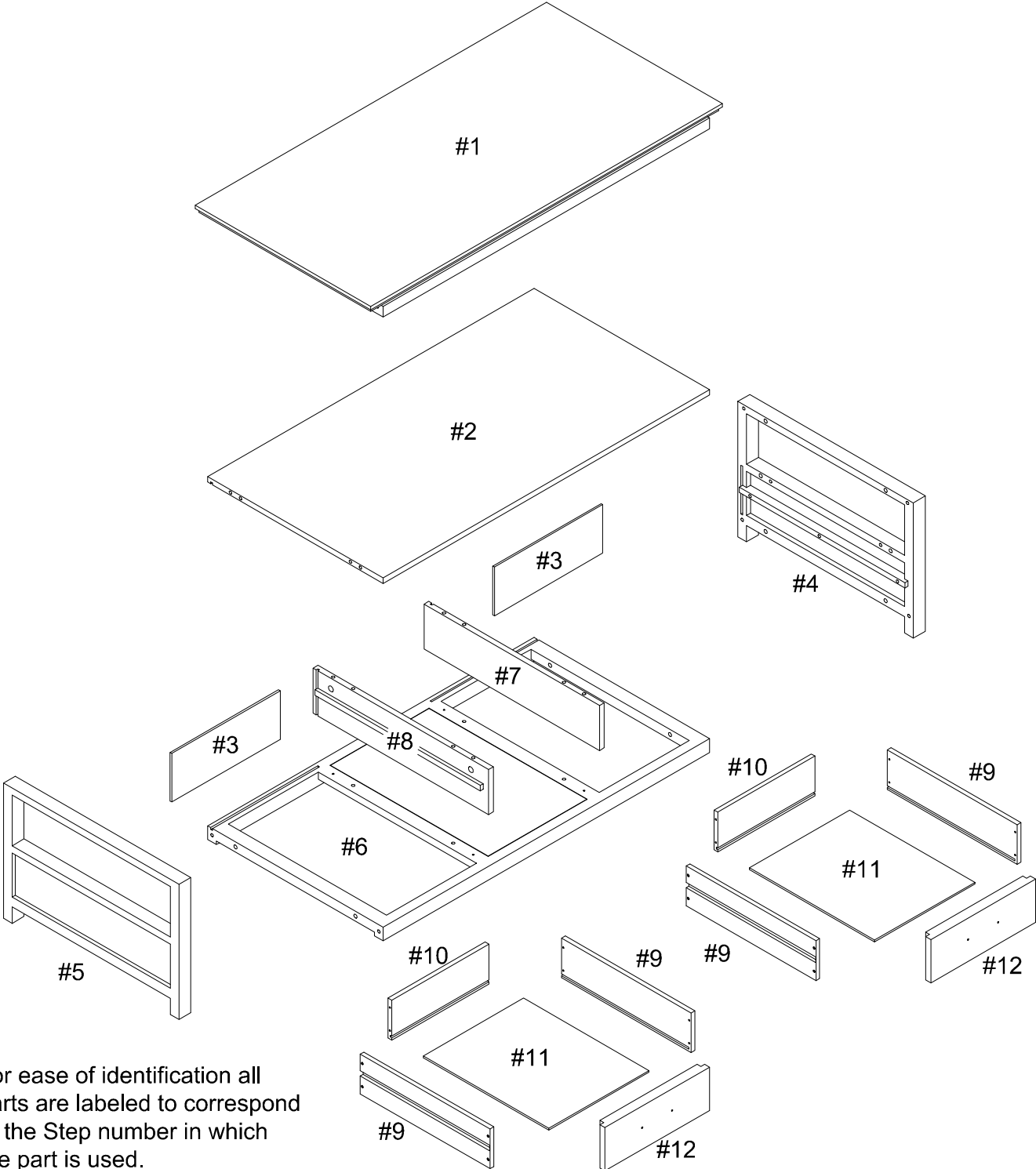


We are here to help!

We do our best to insure that your furniture arrives in excellent condition.

MADE IN CHINA

PARTS IDENTIFICATION



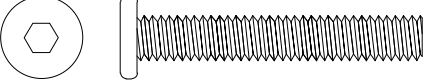

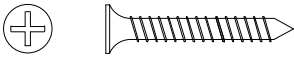

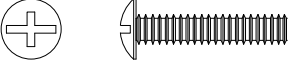
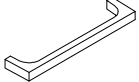
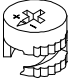

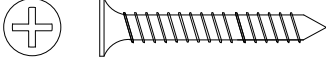
For ease of identification all parts are labeled to correspond to the Step number in which the part is used.

PARTS IDENTIFICATION

ITEM	DESCRIPTION	QTY
#1	TOP PANEL	01
#2	CENTER SHELF	01
#3	BACK PANEL	02
#4	RIGHT SIDE FRAME	01
#5	LEFT SIDE FRAME	01
#6	BOTTOM FRAME	01
#7	RIGHT DIVIDER	01
#8	LEFT DIVIDER	01
#9	DRAWER SIDE	04
#10	DRAWER BACK PANEL	02
#11	DRAWER BOTTOM PANEL	02
#12	DRAWER FRONT PANEL	02




HARDWARE IDENTIFICATION

Please line up the hardware with the correct full size image to make sure you are installing the hardware correctly.

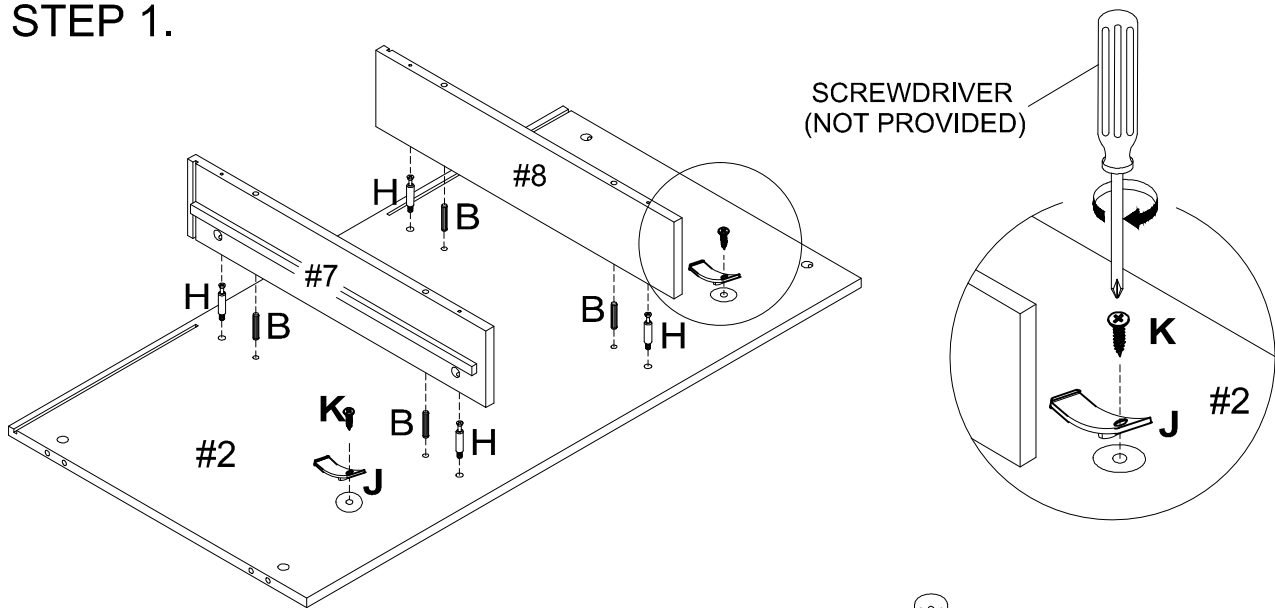
ITEM	PICTURE	DESCRIPTION	QTY
A		($\text{Ø}\frac{1}{4}$ "x1 $\frac{1}{2}$ ") Full size	BOLT 08
B		($\text{Ø}8$ x30mm) Full size	WOOD DOWEL 20
C		($\text{Ø}\frac{1}{8}$ "x1") Full size	SCREW 16
D		($\text{Ø}\frac{1}{4}$ "x $\frac{5}{8}$ ") Not to Scale	NUT 08
E		($\text{Ø}\frac{3}{16}$ "x $\frac{3}{4}$ ") Full size	SMALL BOLT 04
F		Not to Scale	HANDLE 02
G		Not to Scale	CAM LOCK 08
H		Not to Scale	CAM BOLT 08
I		($\text{Ø}\frac{1}{8}$ "x1 $\frac{3}{16}$ ") Full size	SCREW 04

HARDWARE IDENTIFICATION

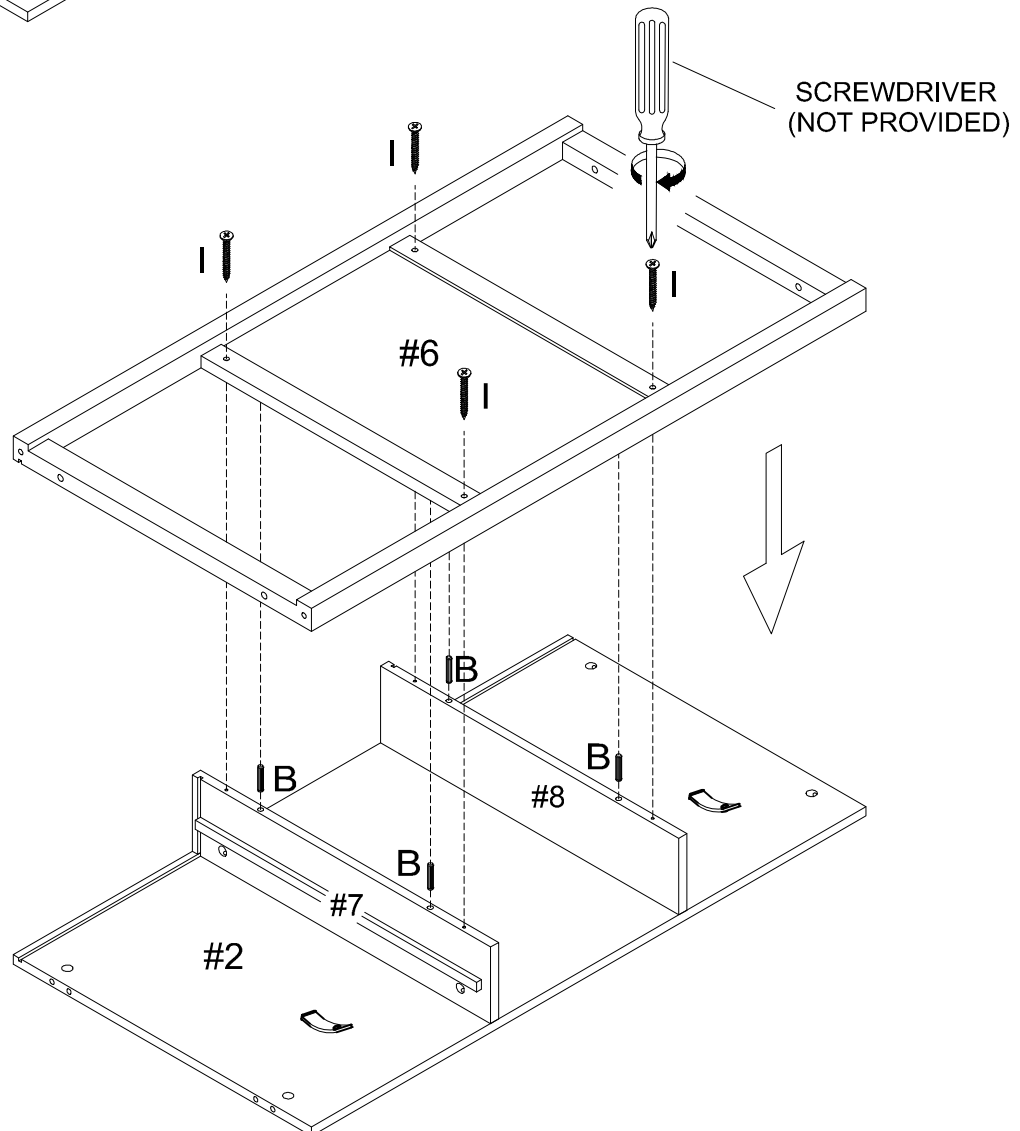
Please line up the hardware with the correct full size image to make sure you are installing the hardware correctly.

ITEM	PICTURE	DESCRIPTION	QTY
J	 <p style="text-align: center;">Not to Scale</p>	DRAWER STOP	02
K	 <p style="text-align: center;">($\text{Ø}_{\frac{1}{8}} \times \frac{1}{2}$) Full size</p>	SMALL SCREW	02
L	 <p style="text-align: center;">Not to Scale</p>	ALLEN WRENCH	01

STEP 1.

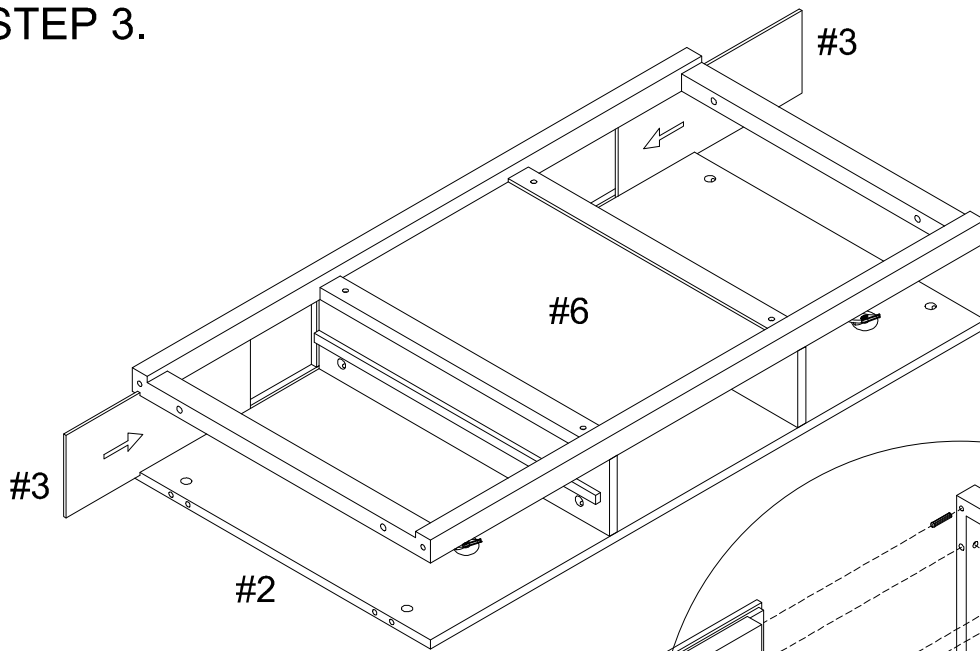


STEP 2.

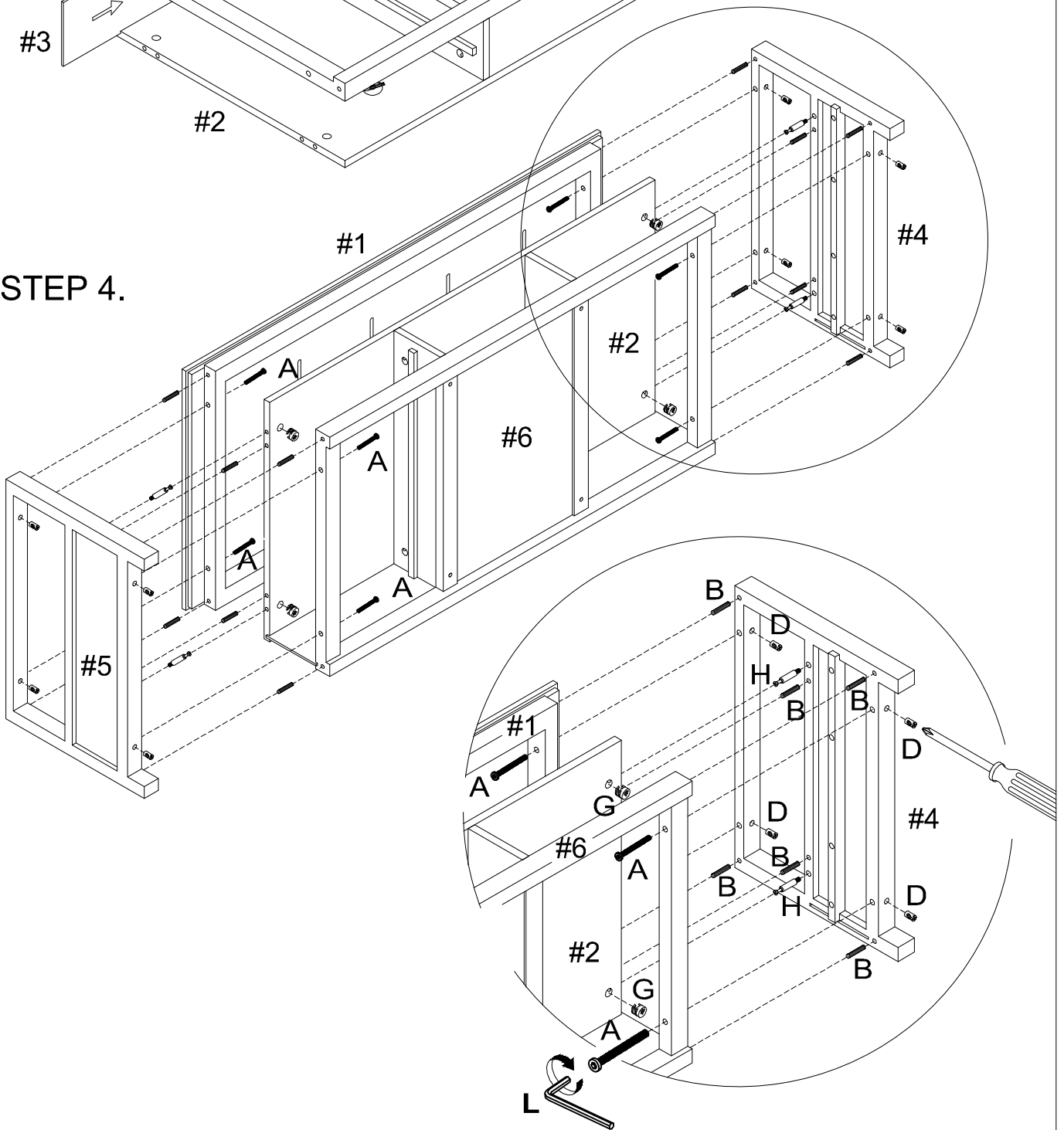
**IMPORTANT:**

1. DO NOT TIGHTEN BOLTS COMPLETELY UNTIL ALL BOLTS ARE COMPLETELY LINED UP AND INSERTED INTO HOLES / NUTS.
2. DO NOT OVER TIGHTEN SCREWS AND BOLTS TO AVOID STRIPPING.

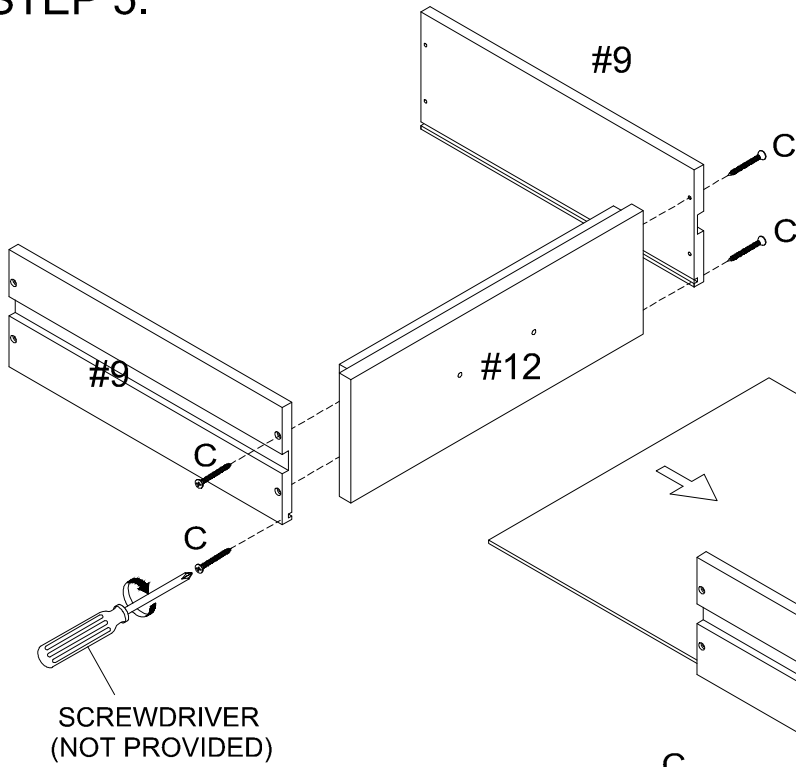
STEP 3.



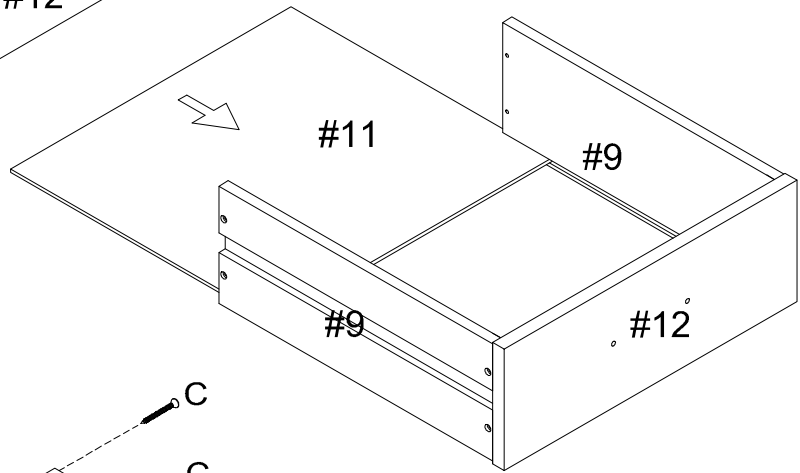
STEP 4.



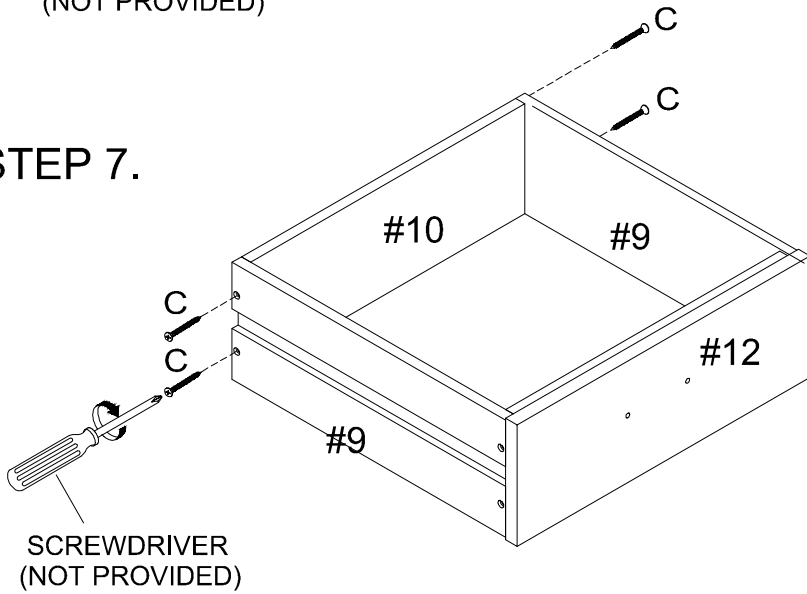
STEP 5.



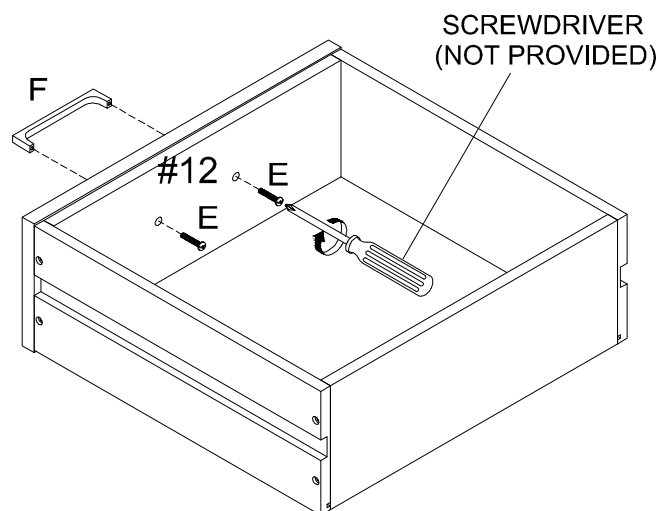
STEP 6.



STEP 7.

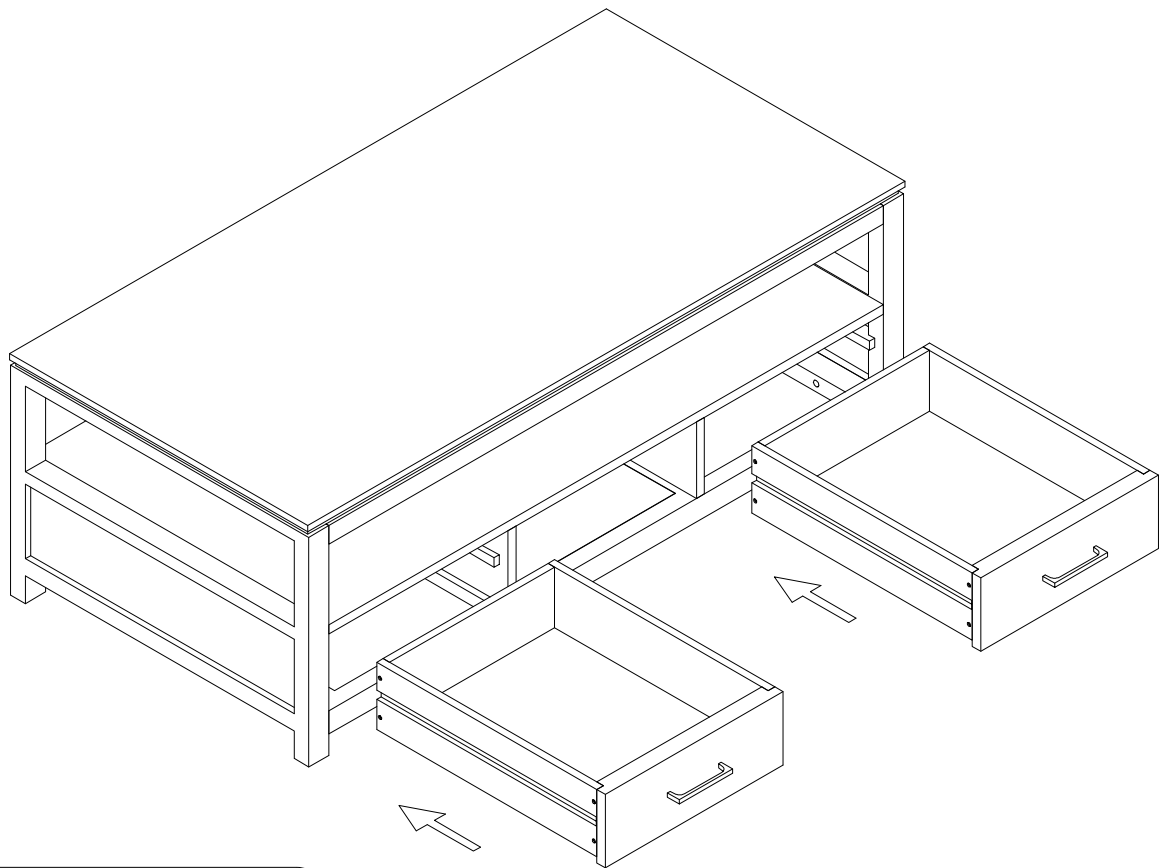


STEP 8.



REPEAT STEP 5 TO STEP 8 ON THE OTHER DRAWER

STEP 9.

**WARNING**

Serious or fatal crushing injuries can occur from furniture tip-over. To help prevent tip-over:

- .Place heaviest items in the lowest drawers.
- .Unless specifically designed to accommodate, do not set TVs or other heavy objects on the top of this product.
- .Never allow children to climb or hang on drawers, doors, or shelves.
- .Never open more than one drawer at a time.

Use of tip-over restraints may only reduce, but not eliminate, the risk of tip-over.

This is a permanent label. Do not attempt to remove!

