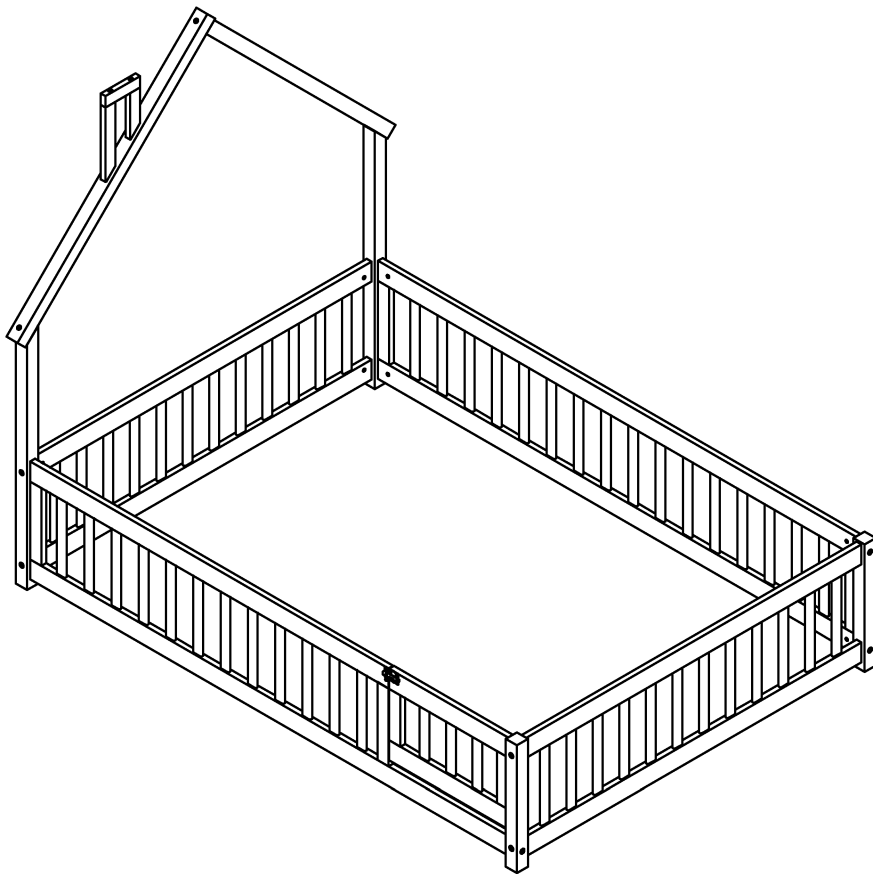
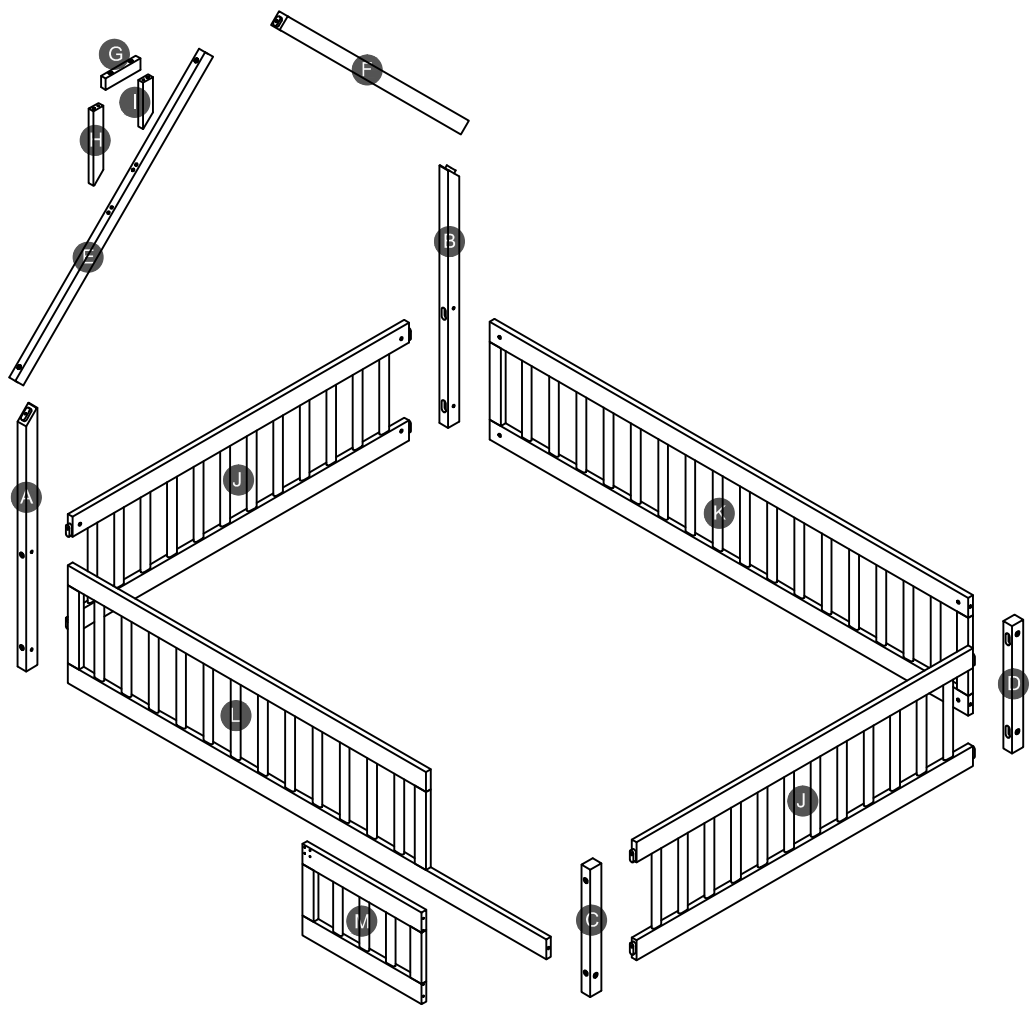


ASSEMBLY INSTRUCTIONS

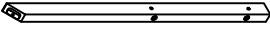
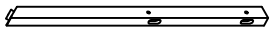
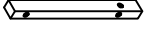
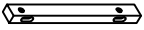
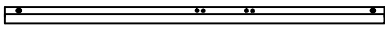
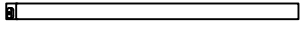
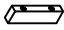
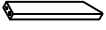
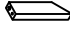
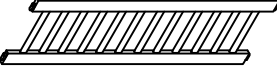
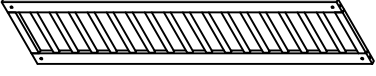
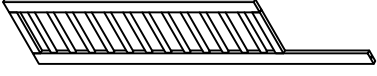
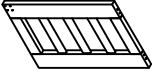
FULL FLOOR BED WITH FENCE, HOUSE SHAPE HB




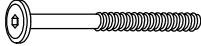


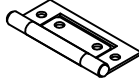
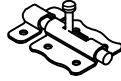


Detail View



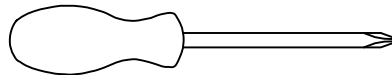
Part List

<p>A</p>  <p>Leg (Left Front) - 1pc</p>	<p>B</p>  <p>Leg (Left Back) - 1pc</p>	<p>C</p>  <p>Leg (Right Front) - 1pc</p>
<p>D</p>  <p>Leg (Right Back) - 1pc</p>	<p>E</p>  <p>Upper (Left Front) - 1pc</p>	<p>F</p>  <p>Upper (Left Back) - 1pc</p>
<p>G</p>  <p>Upper horizontal bar - 1pc</p>	<p>H</p>  <p>Upper Vertical bar (Front) - 1pc</p>	<p>I</p>  <p>Upper Vertical bar (Back) - 1pc</p>
<p>J</p>  <p>Guard rail (Left/Right) - 2pcs</p>	<p>K</p>  <p>Guard rail (Back) - 1pc</p>	<p>L</p>  <p>Guard rail (Front) - 1pc</p>
<p>M</p>  <p>Door - 1pc</p>		

Hardware List

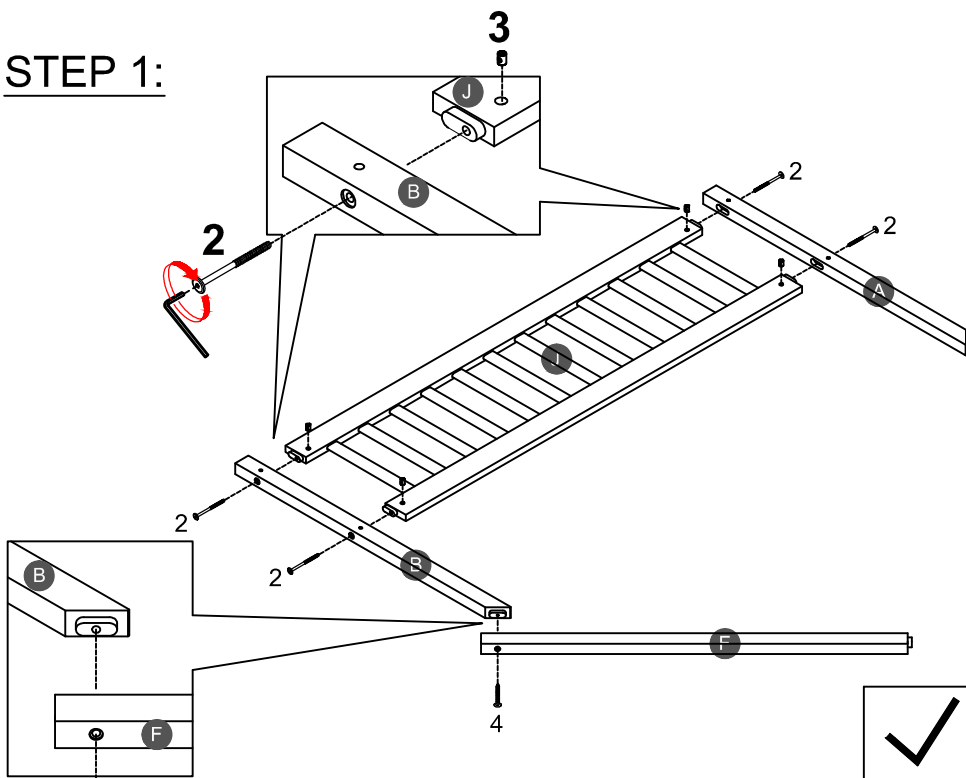
1  Ø8*30mm Wood dowel (4pcs)	2  (Ø15)1/4"*80mm Hex-Head bolts (15pcs)	3  1/4"*15 (9.5mm) Horizontal-Hole bolts(15pcs)
4  (Ø12)1/4"*65mm Hex-Head bolts (7pcs)	5  55*24*6mm(135°) Hinges (2pcs)	6  60*40*10mm Lock (1pc)
7  Ø3.5*15mm Wood screws (14pcs)	8  (1/4")4.5*58mm Allen key (1pc)	

ASSEMBLY TOOLS REQUIRED (NOT INCLUDED)

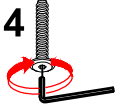


PLEASE BE CAREFUL DO NOT DAMAGE THE HOLE POSITION WHEN YOU USE POWER TOOLS !

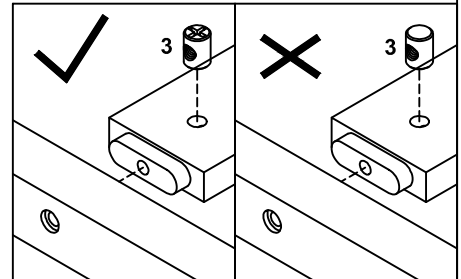
STEP 1:



2		3	
4PCS		4PCS	
		4	
		1PC	

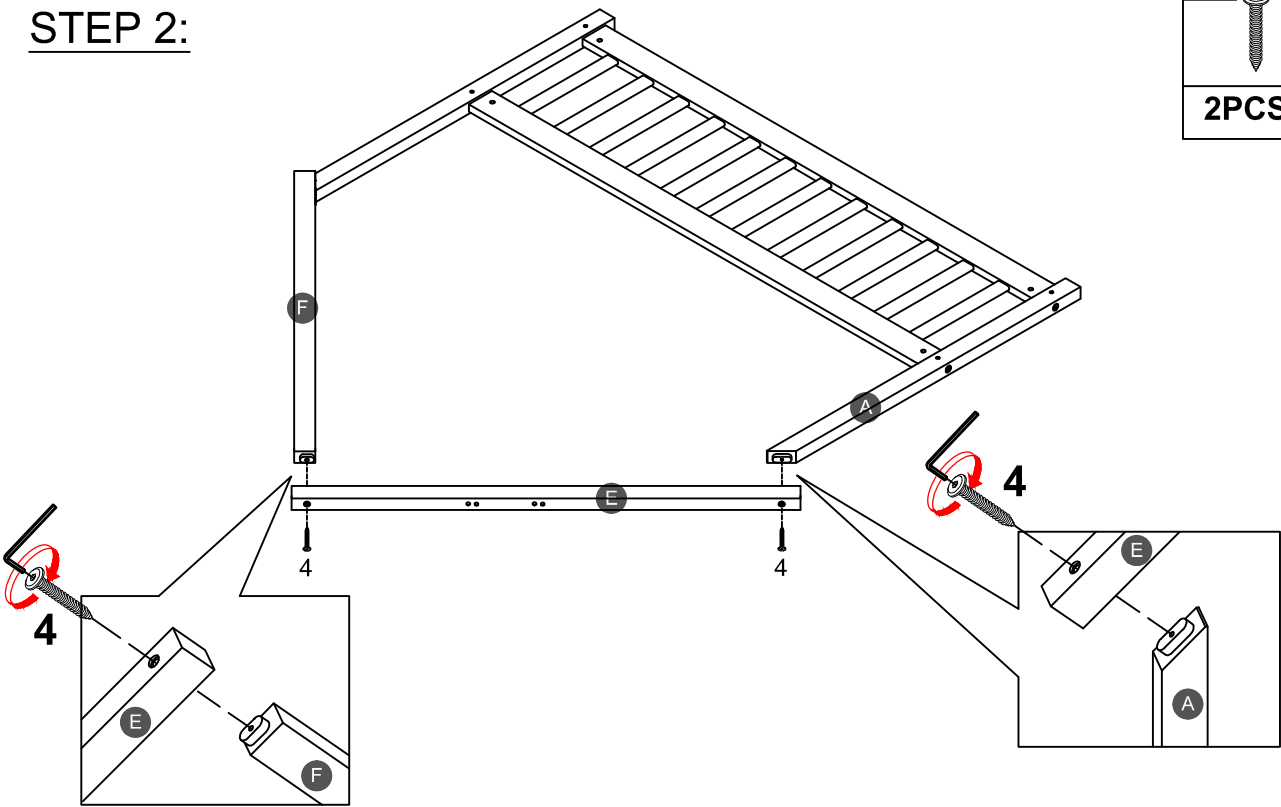


Note: Part 3 will face up with the "x" mark on it, otherwise it cannot be tightened





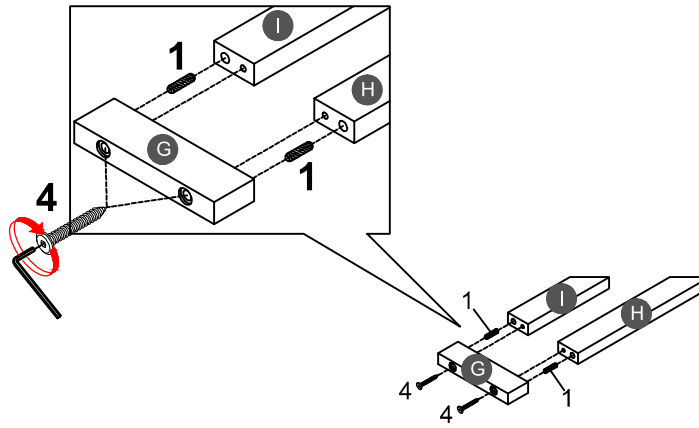
STEP 2:

4	
2PCS	





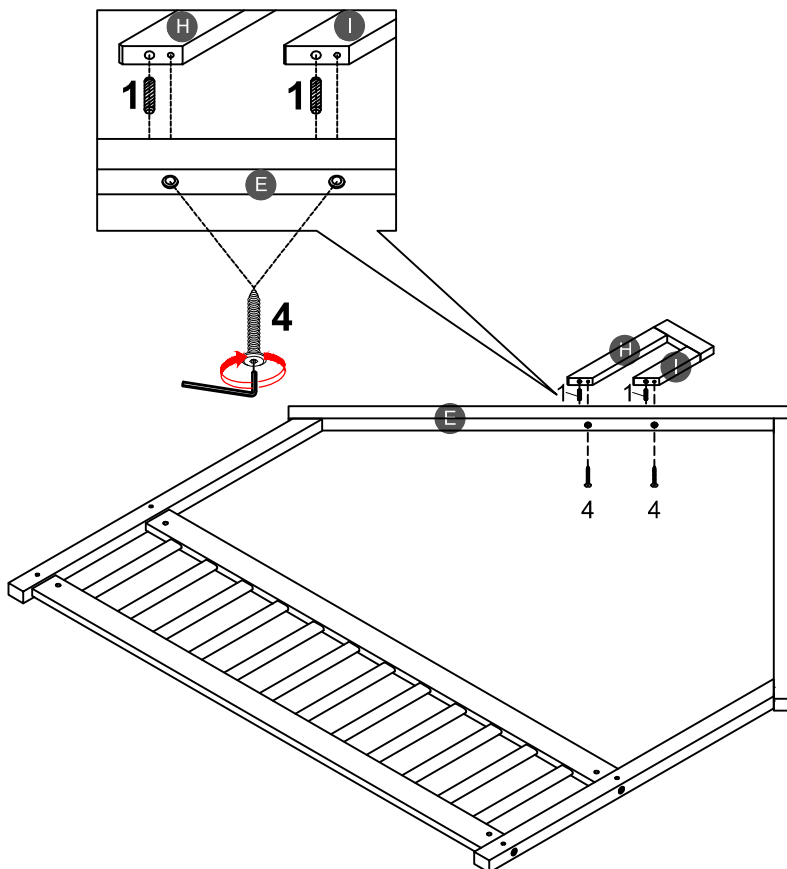
STEP 3:

1		4	
2PCS		2PCS	

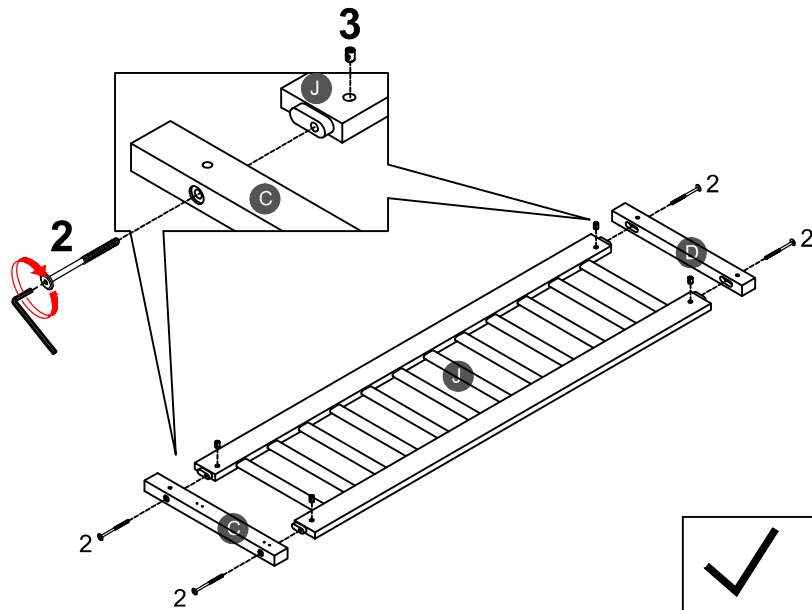


STEP 4:

1		4	
2PCS		2PCS	

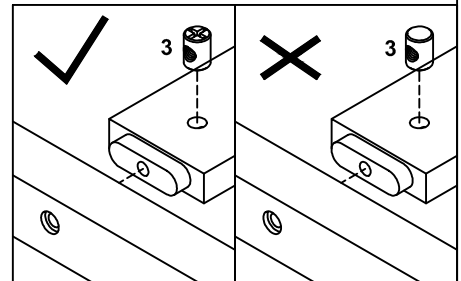


STEP 5:

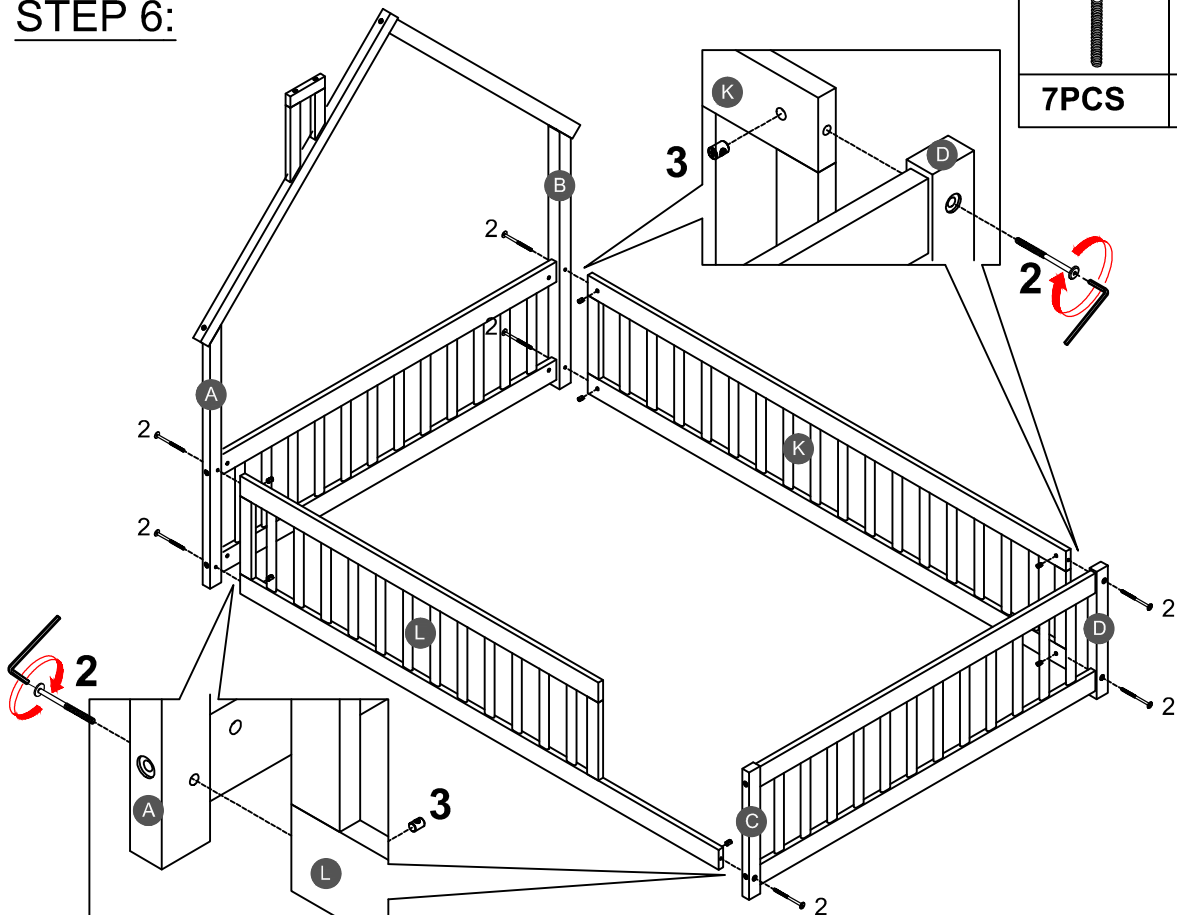


2		3	
4PCS		4PCS	

Note: Part 3 will face up with the "x" mark on it, otherwise it cannot be tightened

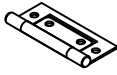



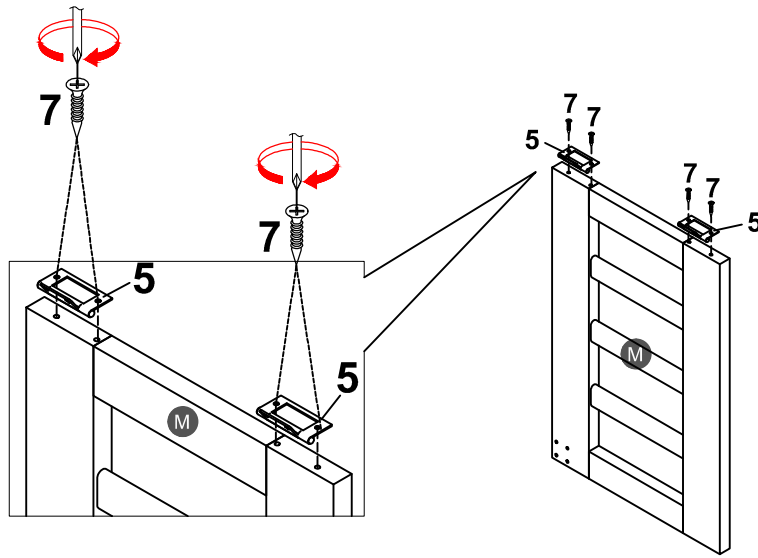
STEP 6:




2		3	
7PCS		7PCS	

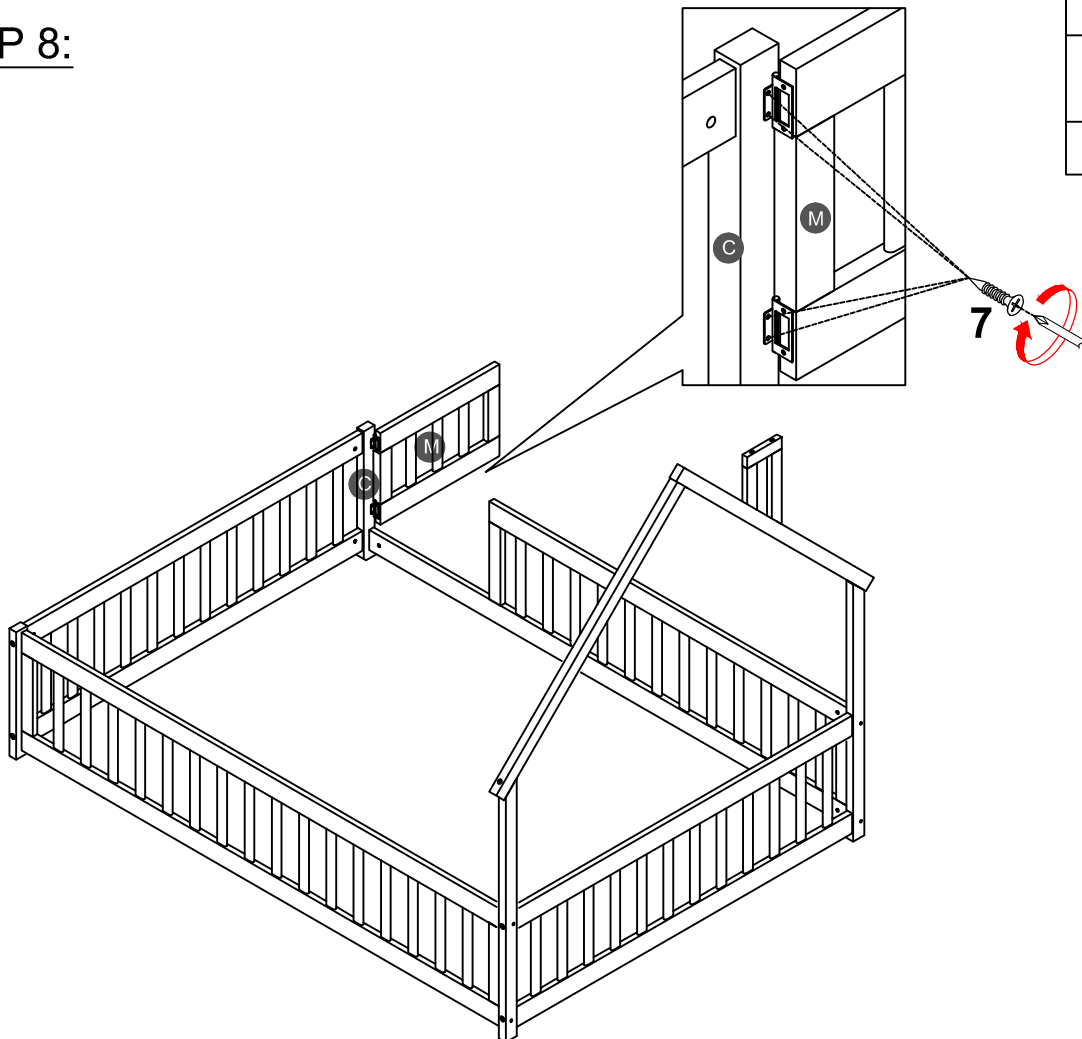
STEP 7:

5	7
	
2PCS	4PCS

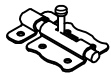
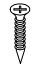


STEP 8:

7

4PCS



STEP 9:

6	7
	
1PC	6PCS

