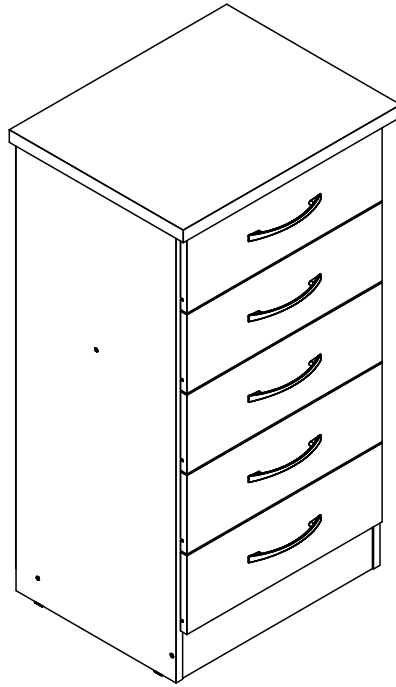


NEVADA 5 DRAWER NARROW CHEST

ASSEMBLY INSTRUCTIONS



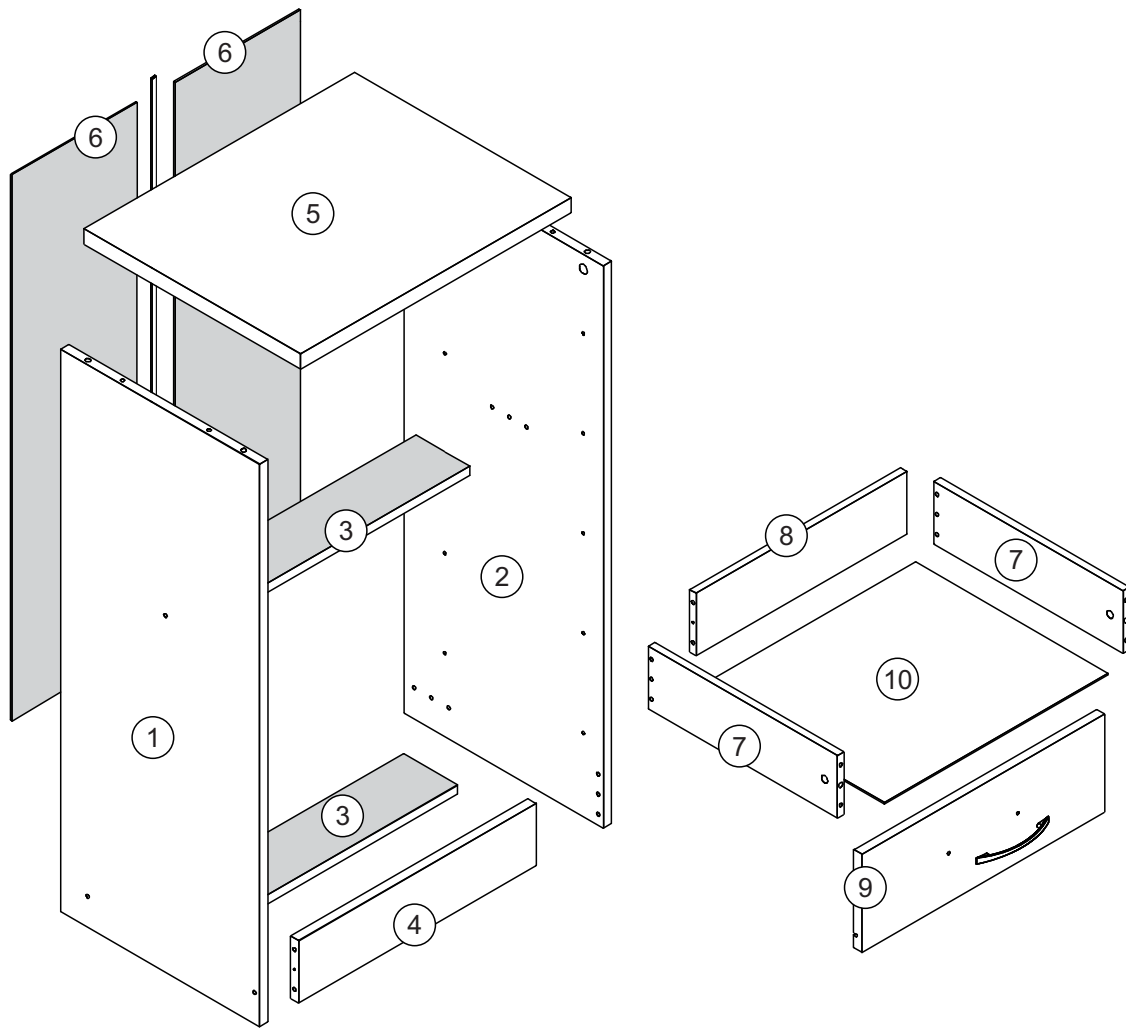
IMPORTANT FOR DOMESTIC USE ONLY

PLEASE READ BEFORE YOU CONTINUE FURTHER

CARE AND MAINTENANCE

After unpacking this product please keep the original packaging in case it needs to be returned for any reason.

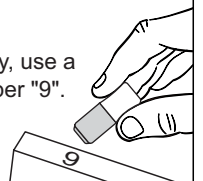
- Please ensure all fittings and parts are present before commencing with assembly.
- Never drag or push products as this could cause damage to the joints making it inferior.
- We strongly recommend that you keep children away from your work area.
- We recommend that you lay a blanket or sheet on the floor to avoid damage to both your floor and the product.
- Assemble this product as close to its final position as possible.
- Do not place this product next to a radiator or in direct sunlight.
- Do not drag or push items across your high gloss furniture as this may cause the surface to scratch
- Wood is a natural product and may expand if subjected to damp and may shrink or crack if subjected to heat. Therefore it is recommended that room temperature is maintained, with no sudden temperature fluctuations.
- Make sure any spillage is wiped off immediately.
- Do not place hot or chilled items directly on to the surface, use a place mat or marking will occur.
- For general cleaning use a soft cotton or micro fibre cloth, and do not use detergents of any kind.
- From time to time it may be necessary to tighten fittings, regular inspections should be carried out.
- Do not place on a wet or damp floor as staining may occur to your floor.



- * Use of power tools to assemble this product will invalidate any claim and damage this product making it unsafe !!!
- * Please assemble on a clean soft surface to avoid damage.
- * Please check contents and read the instructions before commencing assembly.
- * Assemble this product following the enclosed instructions carefully.
- * Please take care to avoid damaging panels during assembly.

TIP

If you wish, after assembly, use a rubber to erase part number "9".



PARTS LIST


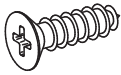
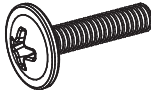




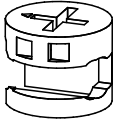


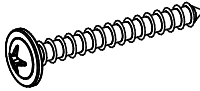
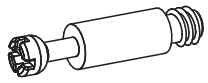


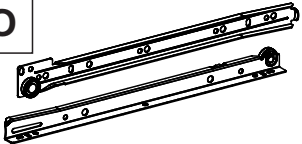



Please Note:

The below parts have all been stamped with the part number to help identify them during assembly.

1	Left Side Panel	x1
2	Right Side Panel	x1
3	Back Baseboard	x2
4	Front Baseboard	x1
5	Top Panel	x1

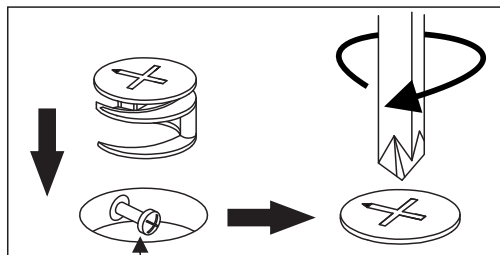
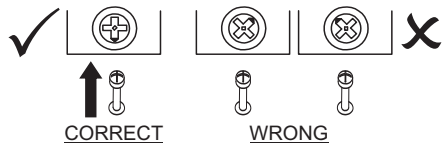
6	Back Panel	x2
7	Drawer Side	x10
8	Drawer Back Panel	x5
9	Drawer Front	x5
10	Drawer Bottom	x5

FITTINGS LIST

<p>A</p>  <p>Flat Head Screw Ø6,0 x 10mm (20x)</p>	<p>B</p>  <p>Flat Head Screw Ø4,0 x 14mm (30x)</p>	<p>C</p>  <p>Flan Head Screw Ø4,0 x 20mm (10x)</p>	<p>D</p>  <p>Flat Head Screw Ø4,0 x 50mm (16x)</p>
<p>E</p>  <p>Dowel Ø6,0 x 30mm (56x)</p>	<p>F</p>  <p>Nail 10 x 10 (74x)</p>	<p>G</p>  <p>Cam Nut Ø12mm (10x)</p>	<p>H</p>  <p>Cam Nut Ø15mm (4x)</p>
<p>I</p>  <p>Washer (2x)</p>	<p>J</p>  <p>Plastic Foot (4x)</p>	<p>K</p>  <p>Flan Head Screw Ø3,5 x 30mm (1x)</p>	<p>L</p>  <p>Cam Bolt (14x)</p>
<p>M</p>  <p>Hole Plugs (16x)</p>	<p>N</p>  <p>Glue (2x)</p>	<p>O</p>  <p>Drawer Runners (5x)</p>	<p>P</p>  <p>Back Panel Strip (1x)</p>
<p>Q</p>  <p>Strap (1x)</p>	<p>R</p>  <p>Handle (5x)</p>		

TIPS FOR FITTINGS CAM-LOCKS

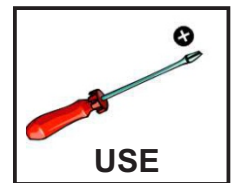
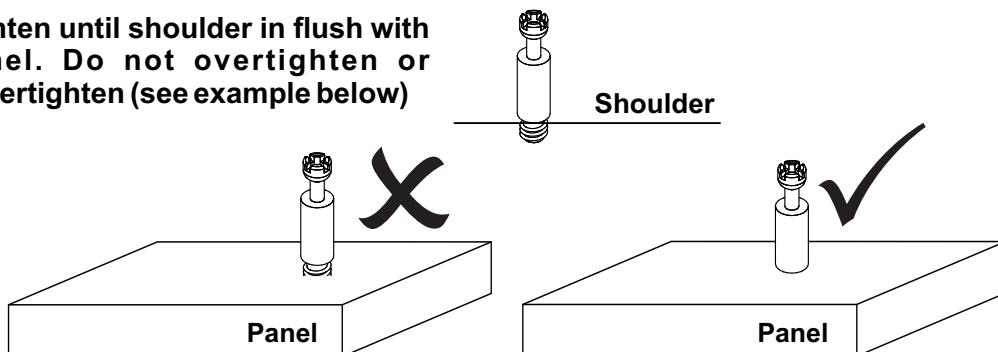
WHEN FITTING CAM NUT, ENSURE STARTING POSITION IS CORRECT BEFORE YOU INSERT CONNECTING CAM BOLT TURN CLOCKWISE UNTIL SECURE



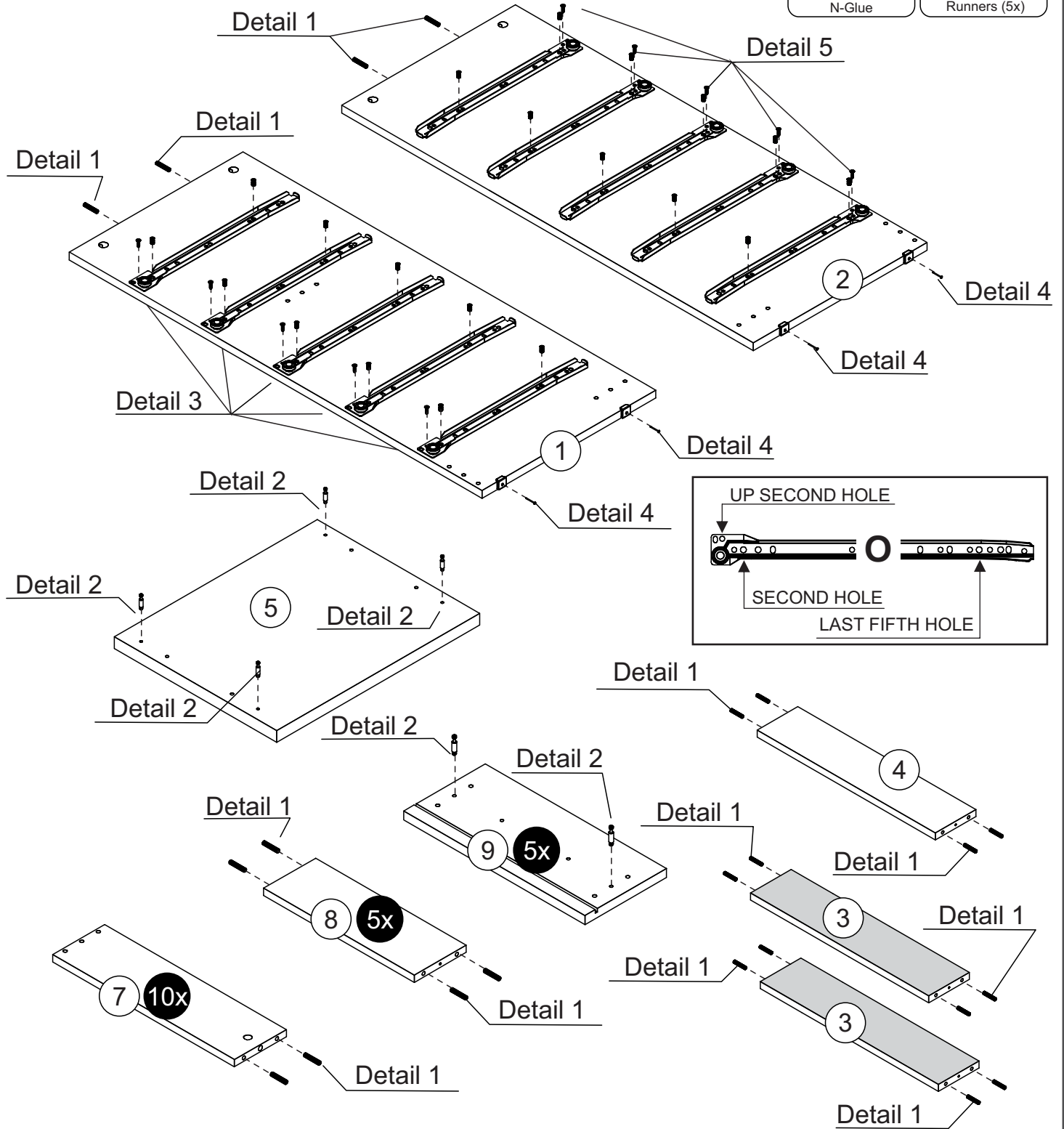
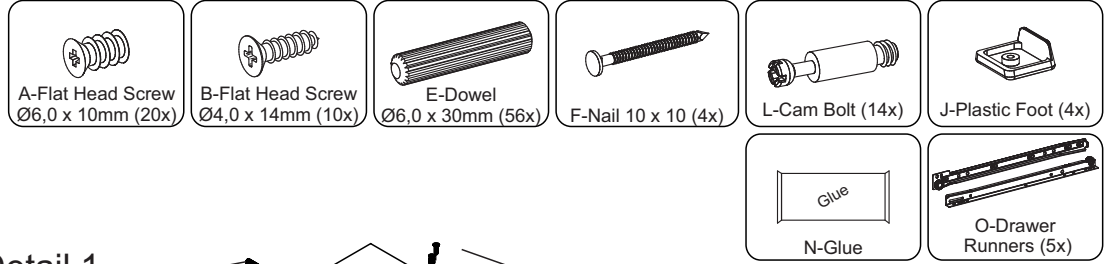
Cam bolt head needs to be in centre

CAMBOLT

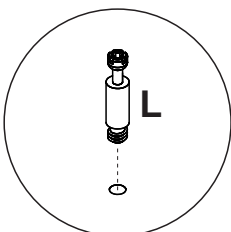
Tighten until shoulder in flush with panel. Do not overtighten or undertighten (see example below)



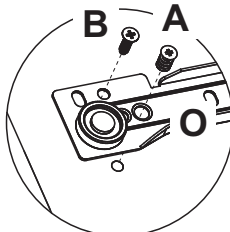
Pre-Assembly



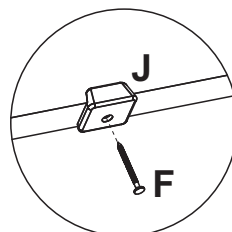
Detail 1



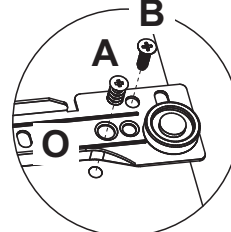
Detail 2



Detail 3

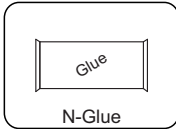
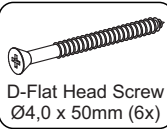


Detail 4

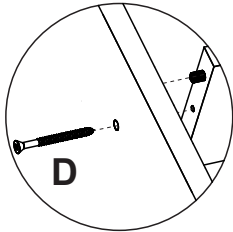


Detail 5

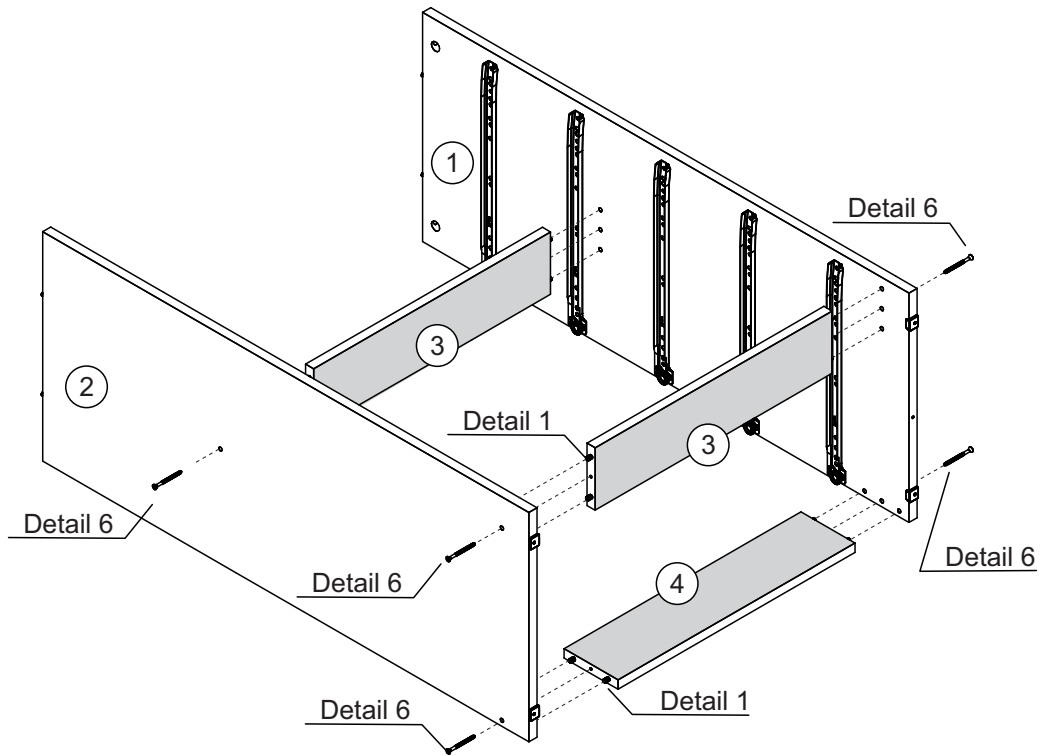
1



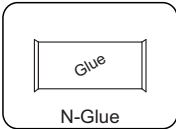
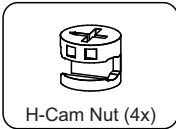
Detail 1



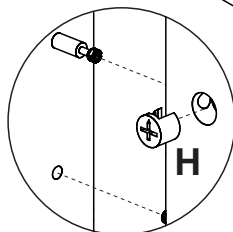
Detail 6



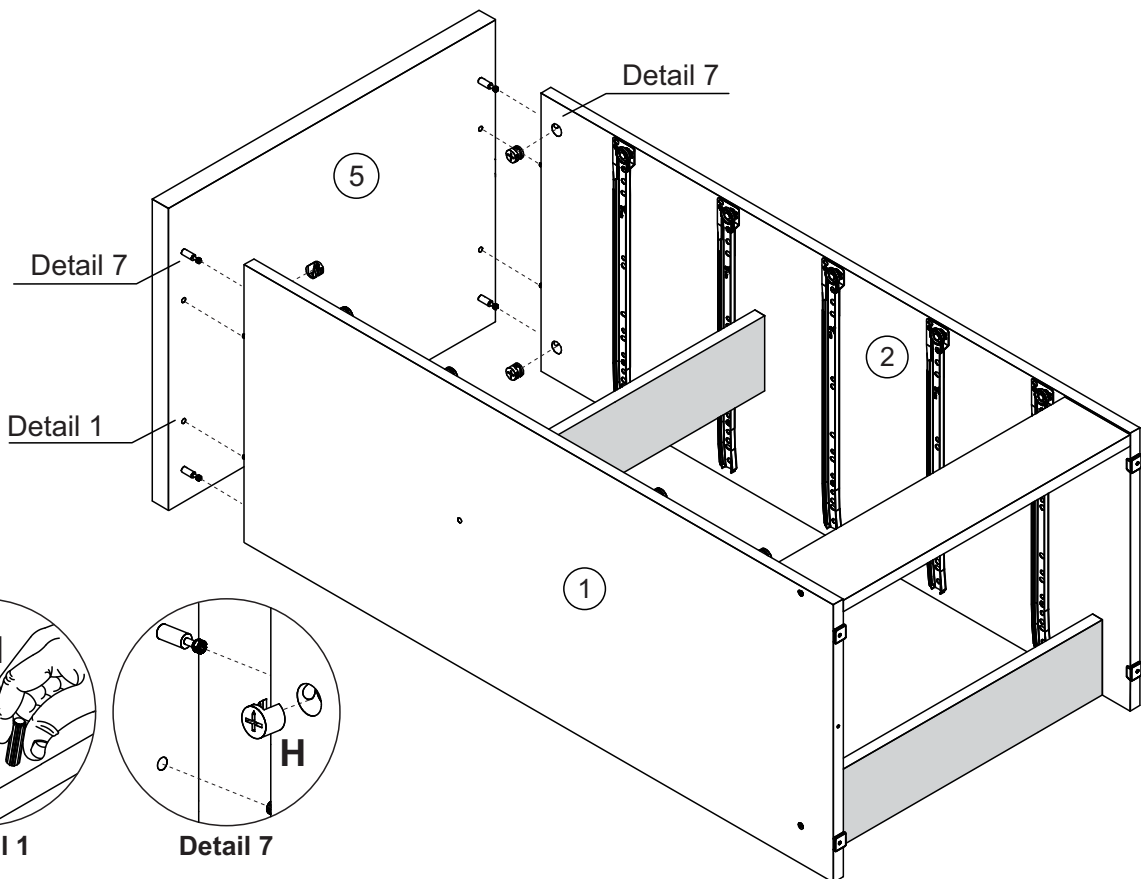
2



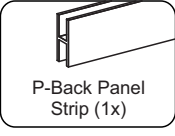
Detail 1



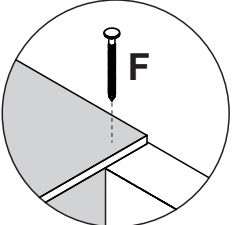
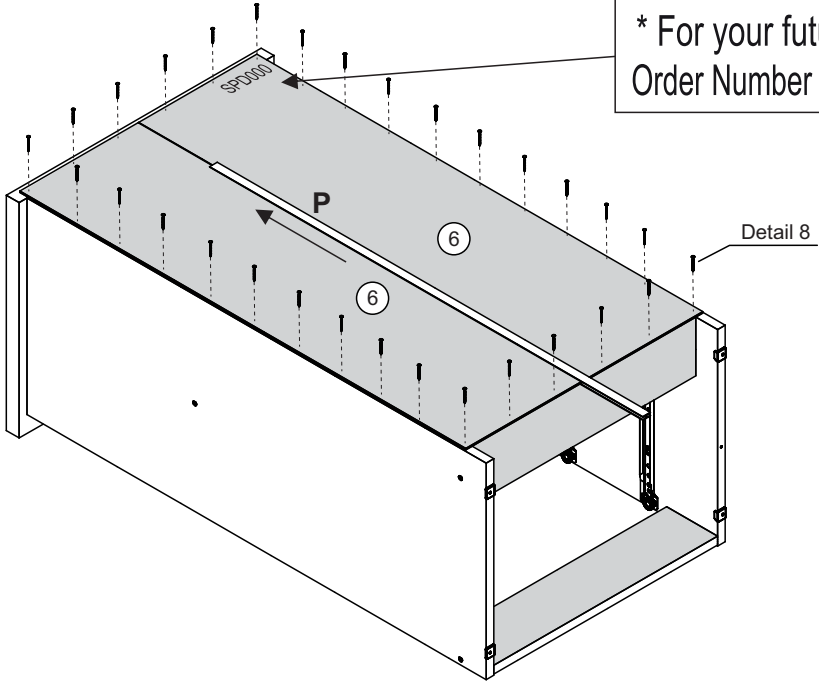
Detail 7



3

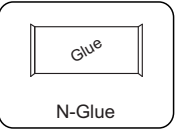
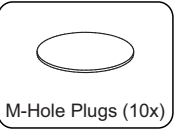
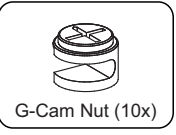
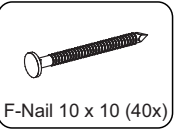
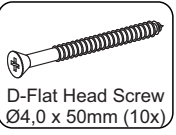


* For your future reference Order Number should be here



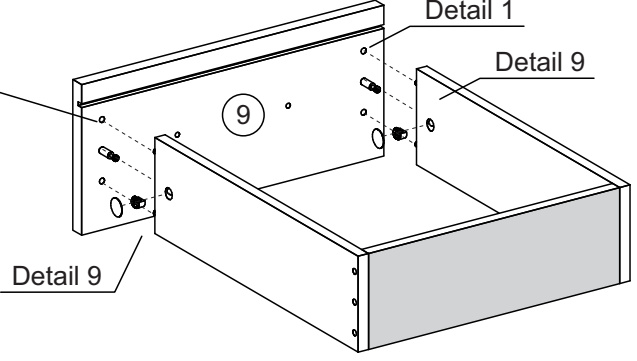
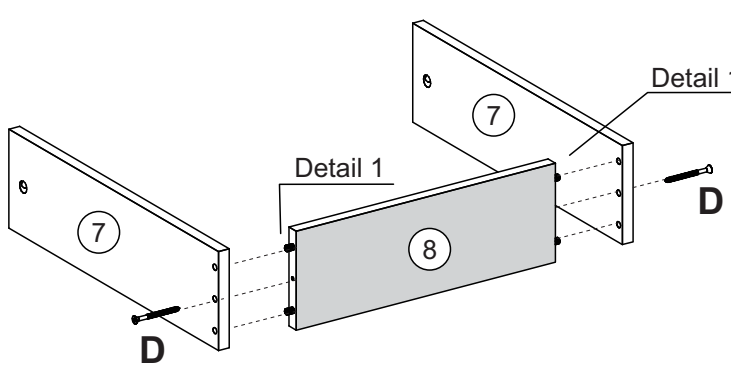
Detail 8

4

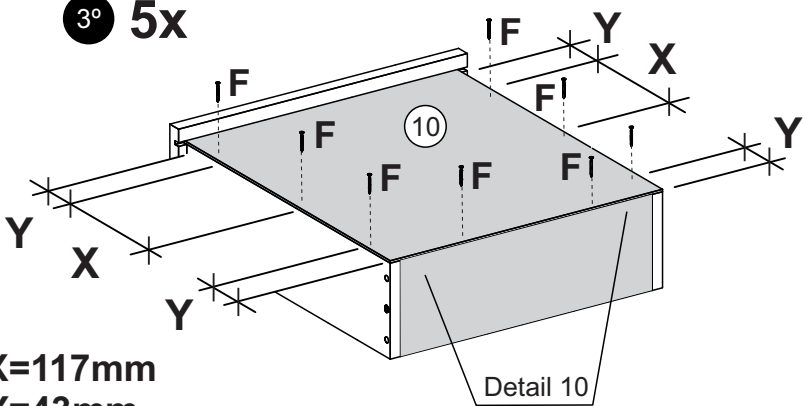


1° 5x

2° 5x

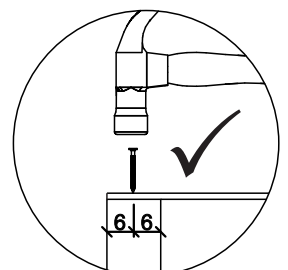
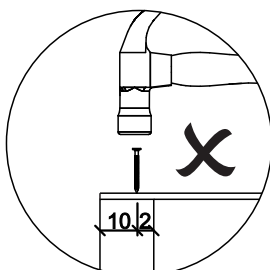
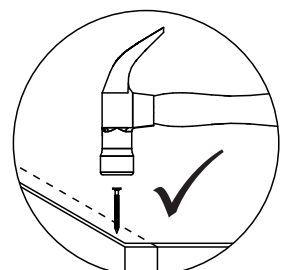
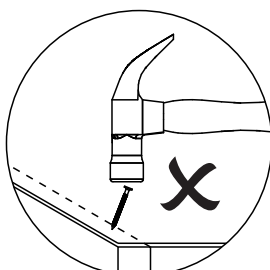


3° 5x

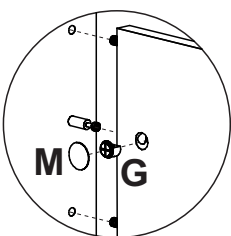


X=117mm
Y=43mm

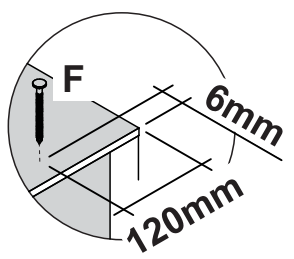
TIPS FOR FIXING DRAWER BOTTOMS



Detail 1

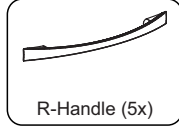
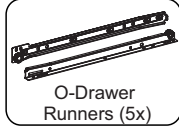
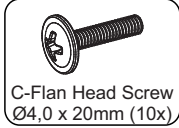
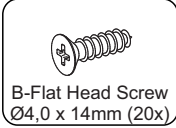


Detail 9

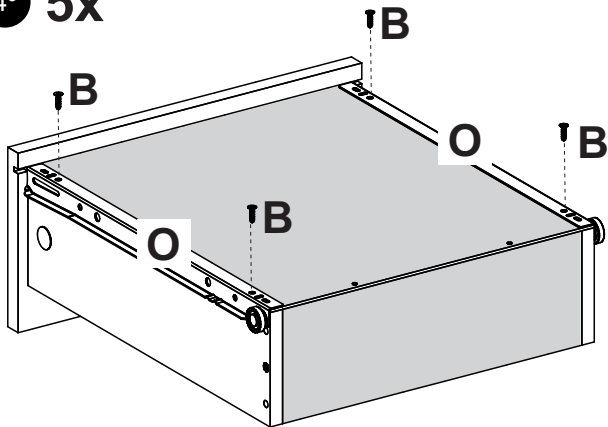


Detail 10

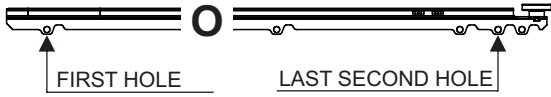
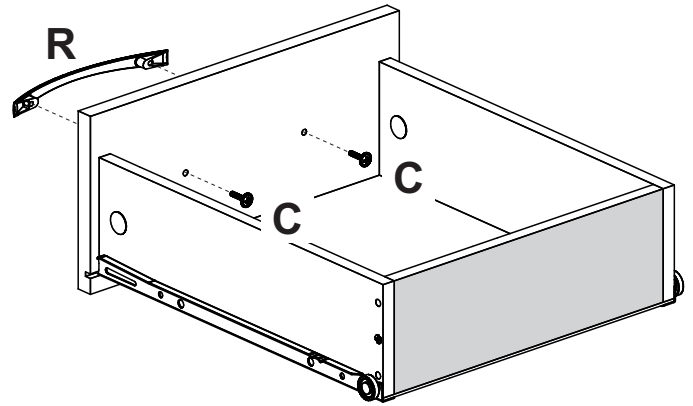
5



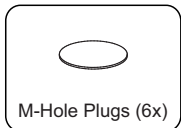
4° 5x



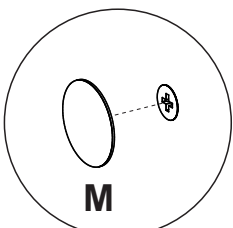
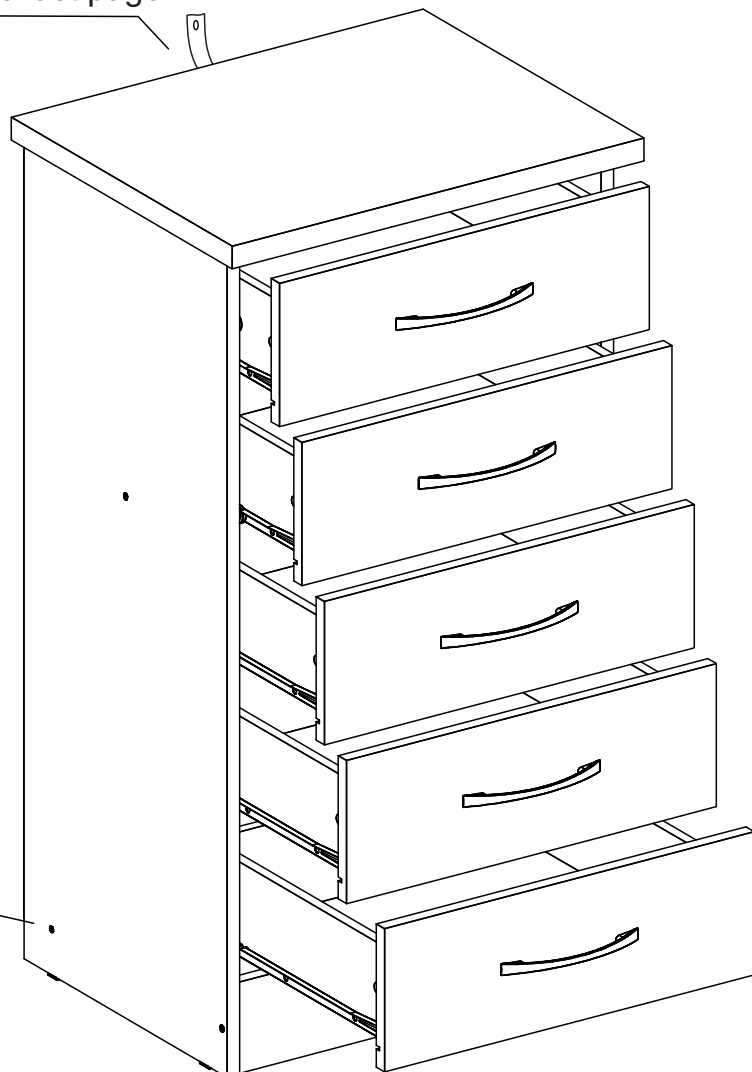
5° 5x



6



See the last page



Detail 11

Detail 11

WARNING

Serious or fatal injuries can occur from furniture tipping over. To prevent the furniture from tipping over we recommend that it is permanently fixed to the wall.

Wall fixings are not supplied with this product as different wall materials require different types of fixing devices. Please make sure you use fixings suitable for the walls in your home.

