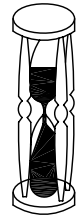
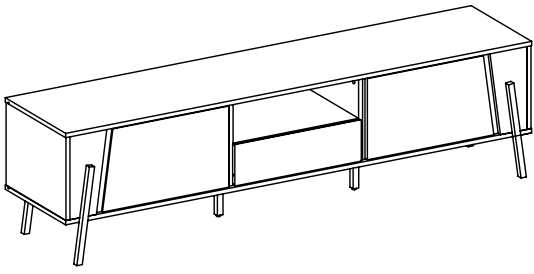


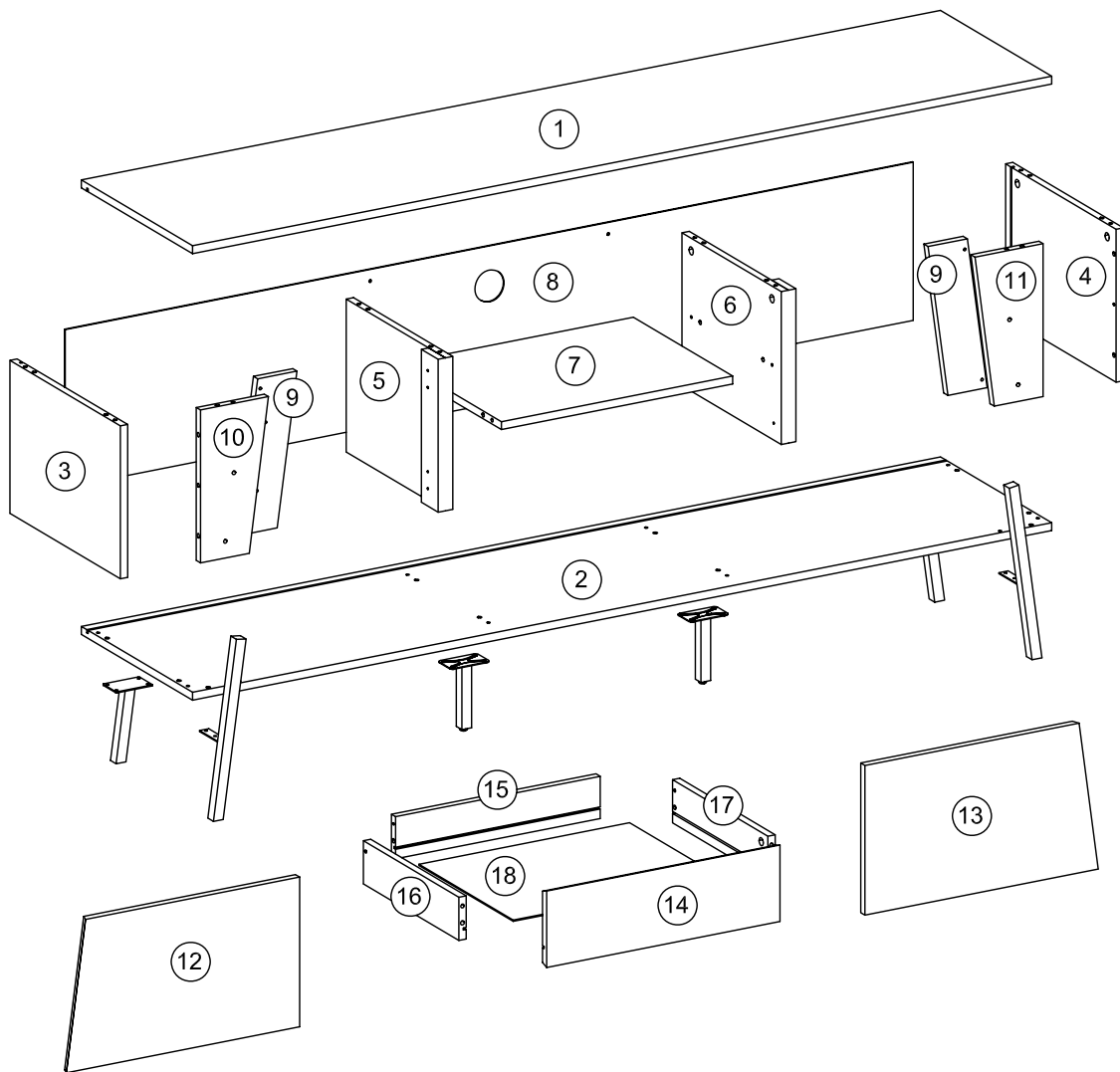
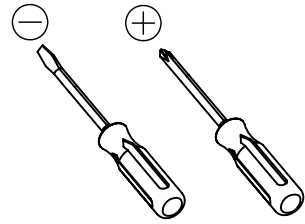
TV STAND




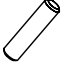









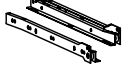
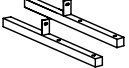


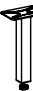


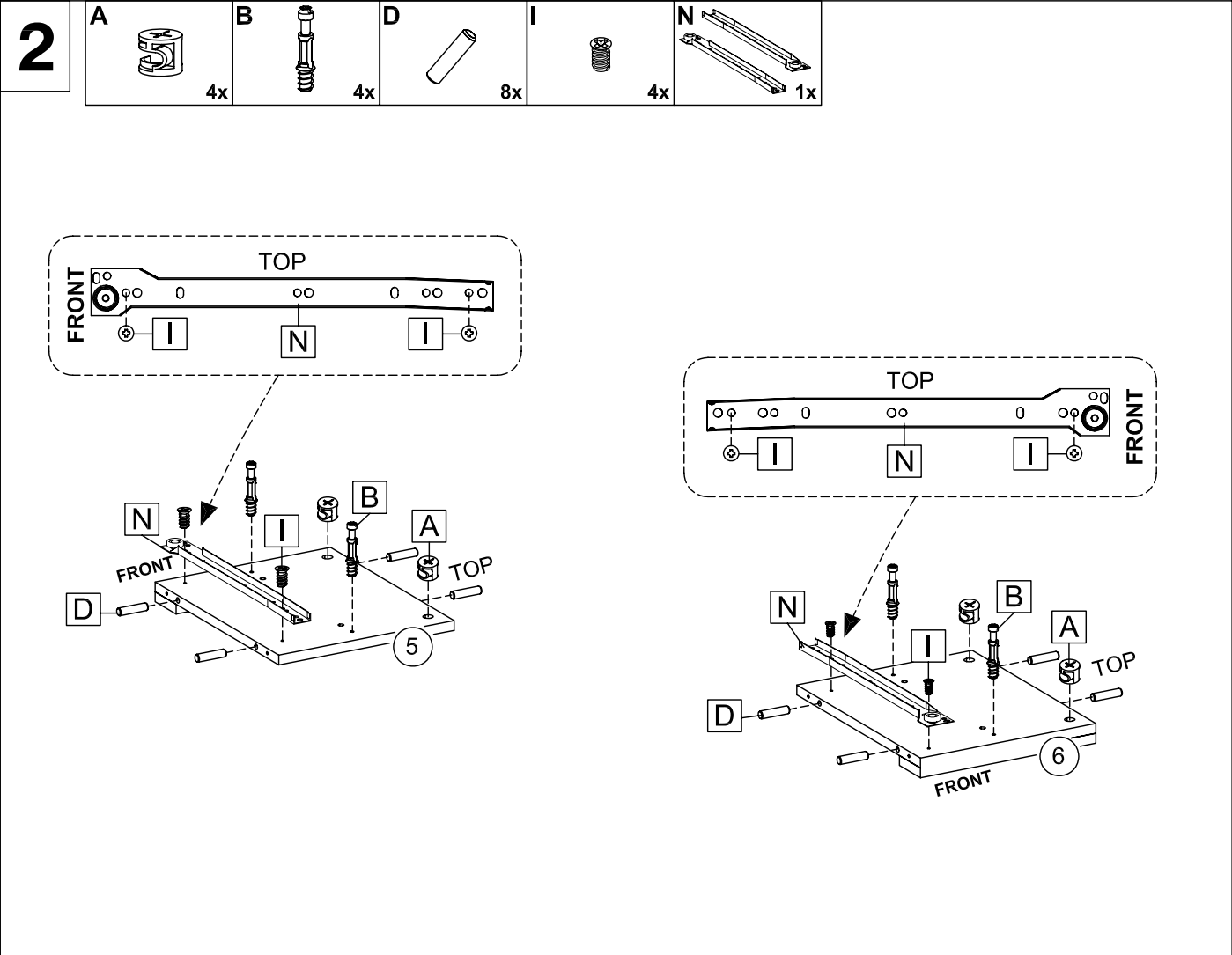
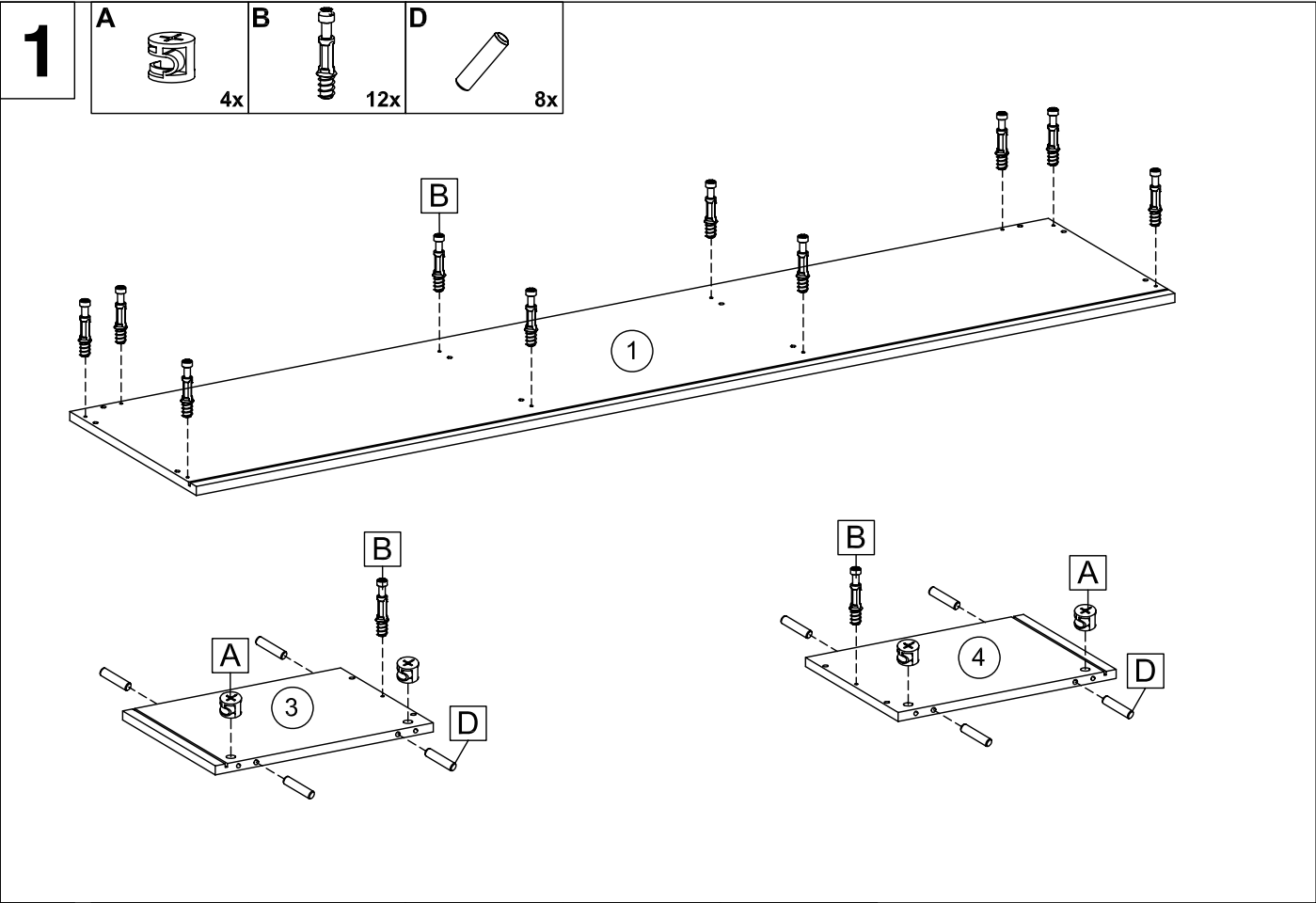
45 min





x2

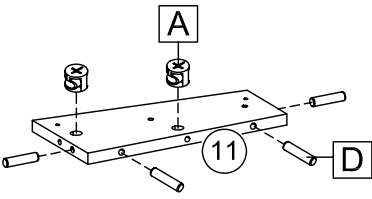
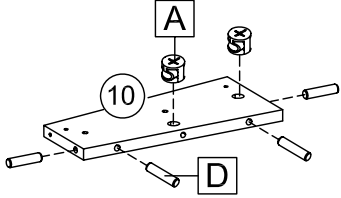
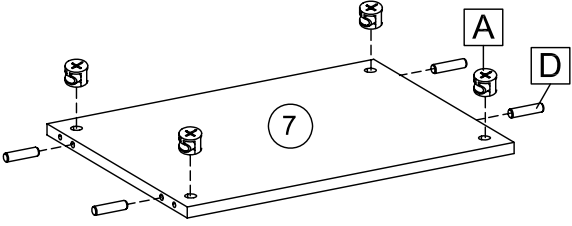


A 18X 	B 18X 	C 18X 	D 32X 	E 12X  10 x 33.5 mm	F 4X  10 x 25 mm	G 12X  4 x 19 mm	H 12X 	I 4X  6 x 8 mm	J 4X  6 x 13 mm
K 26X  4 x 10 mm	L 4 SET 	M 2X  4 x 12 mm	N 1 SET 	O 1 SET 	P 4X  6 x 25 mm	Q 2X 	R 2X 		




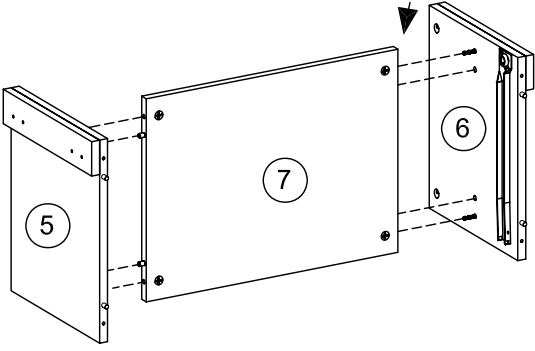
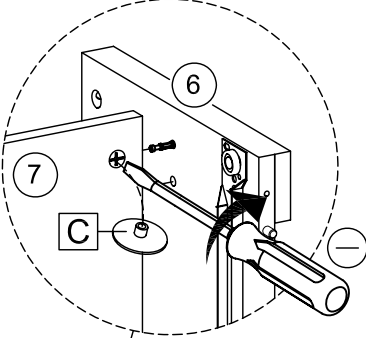
3

A  8x	D  12x
--	---

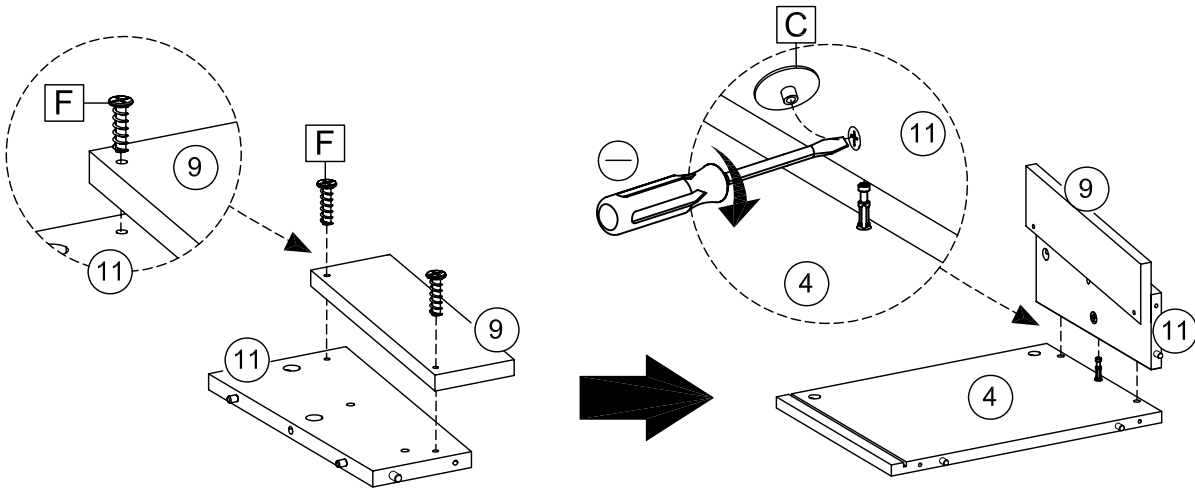
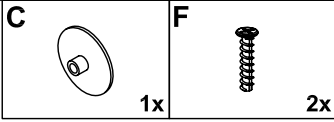


4

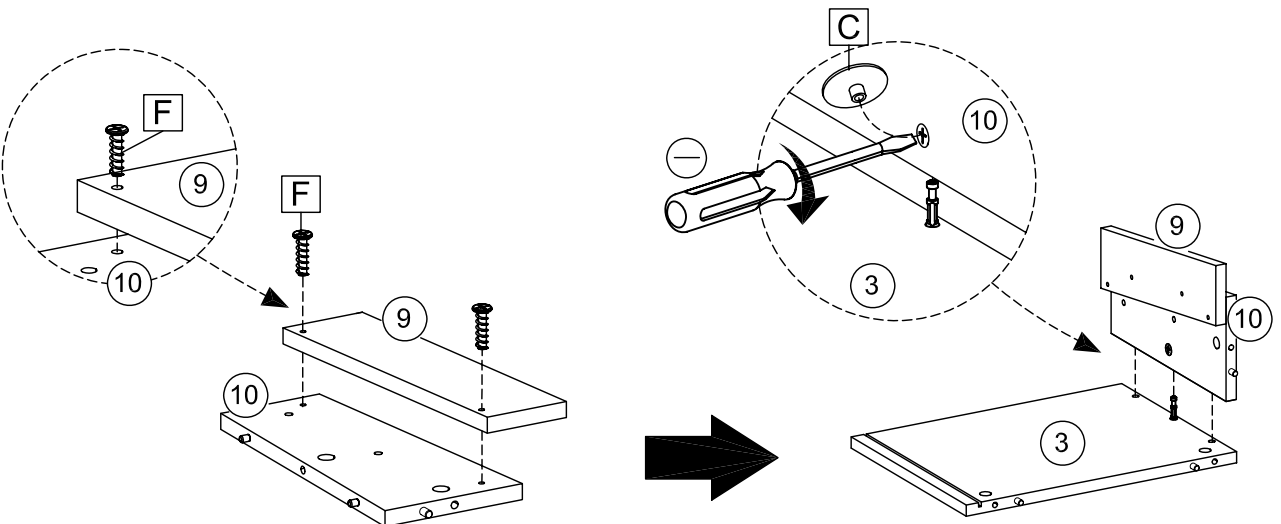
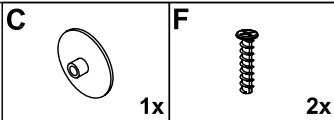
C  4x
--



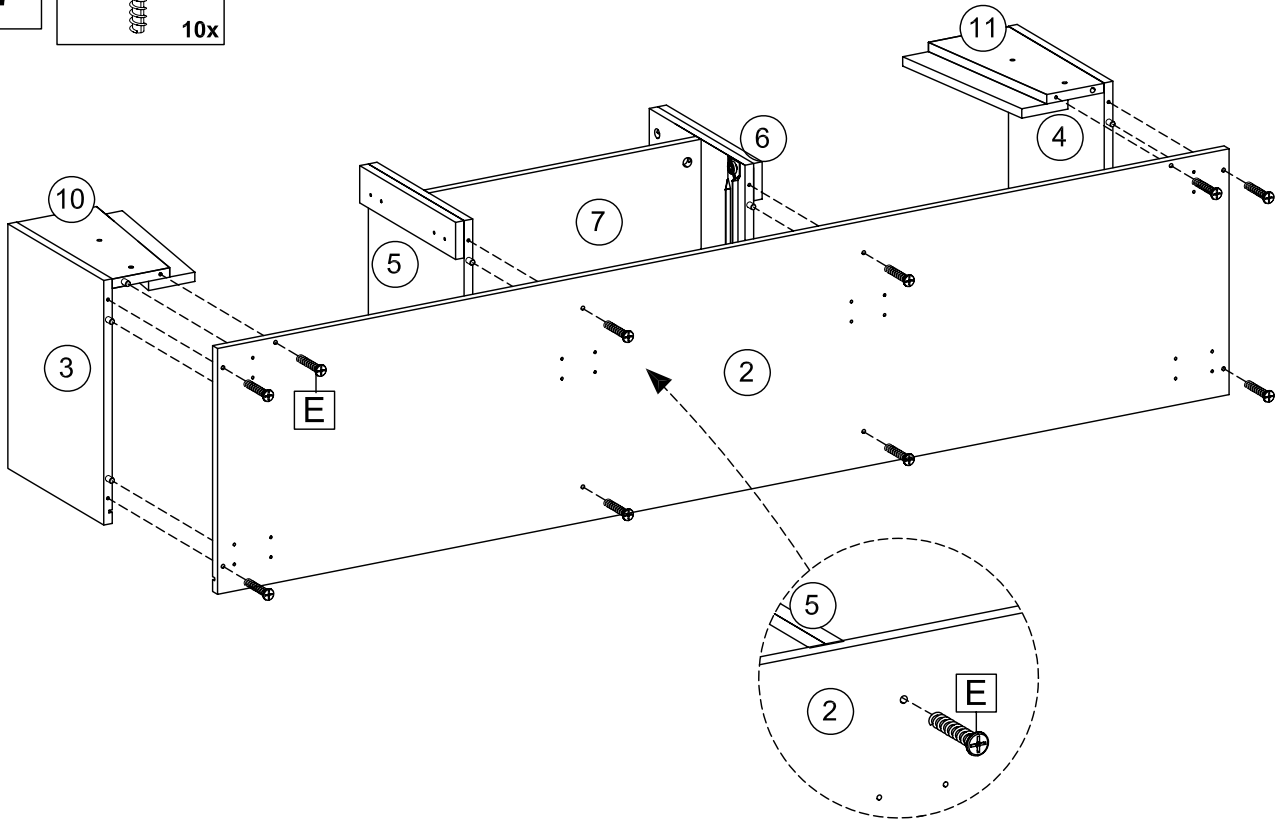
5



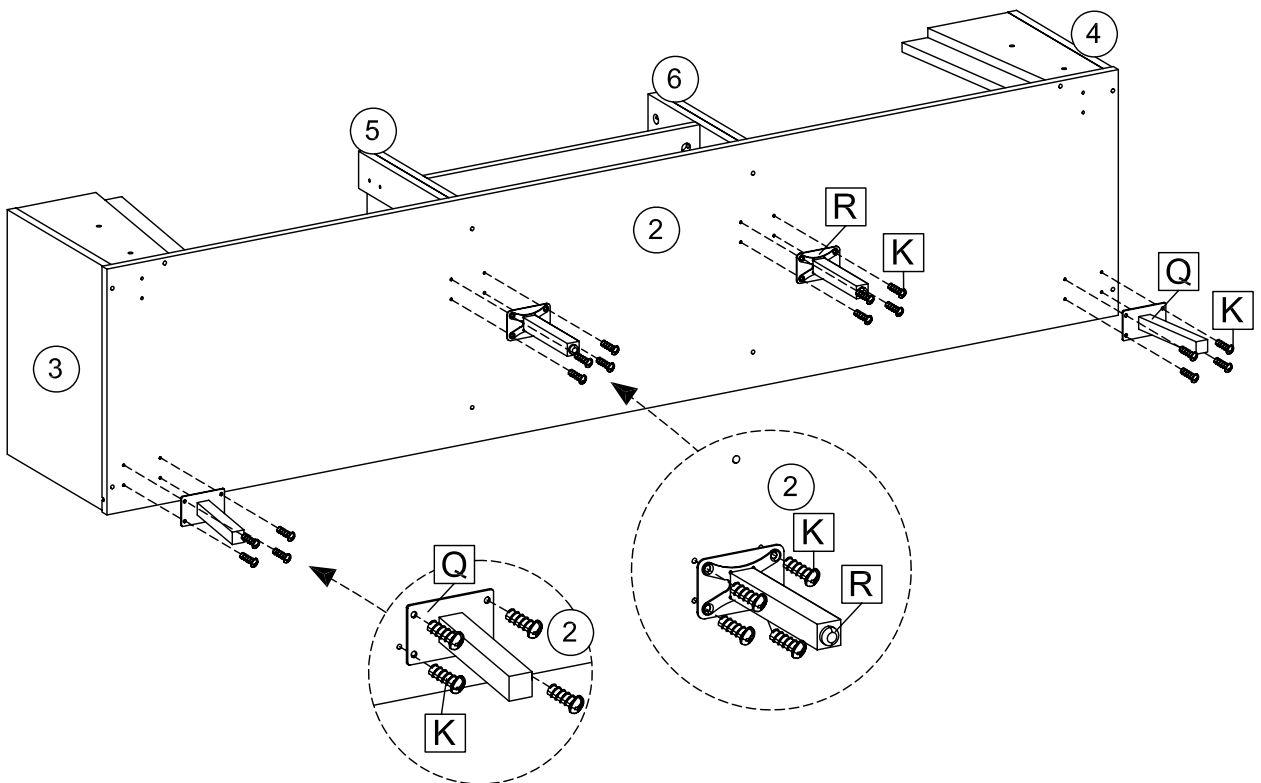
6




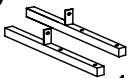

7 E 10x

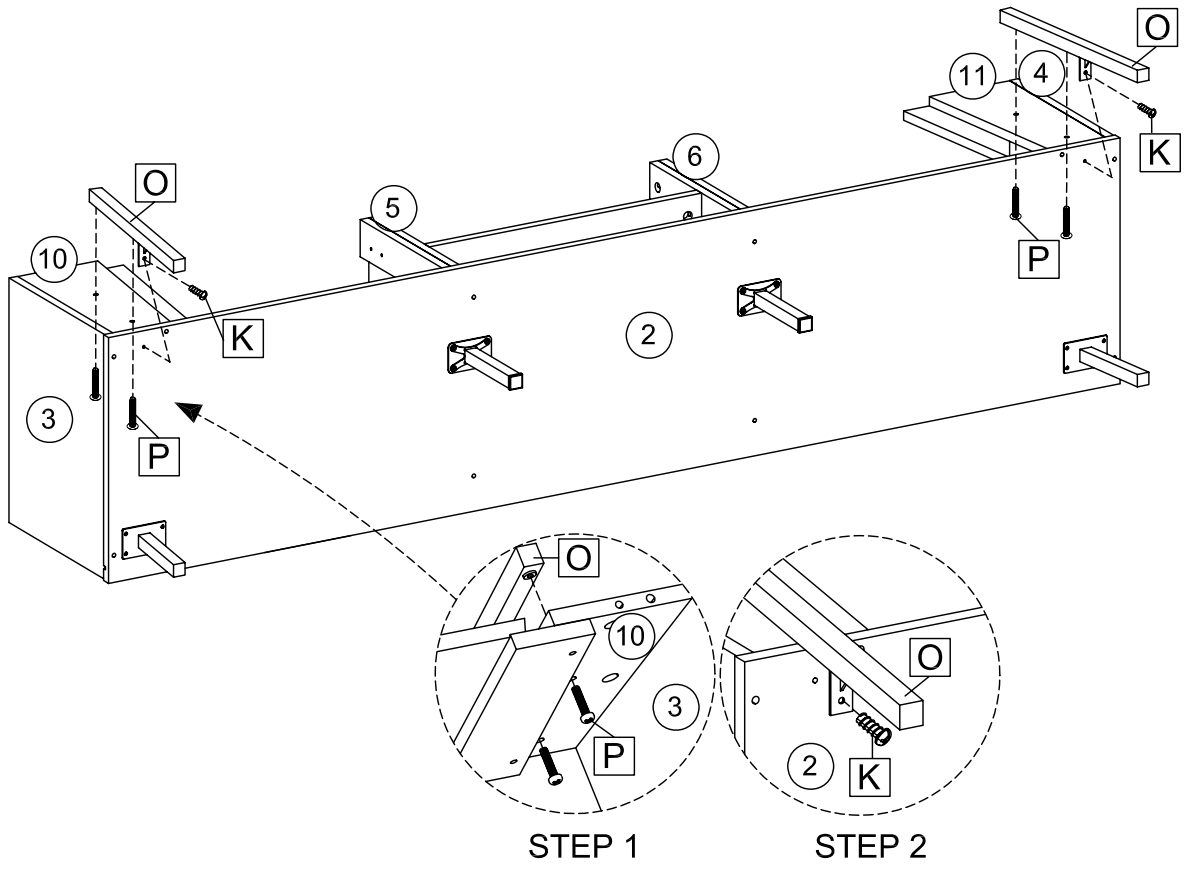


8 K 16x Q 2x R 2x

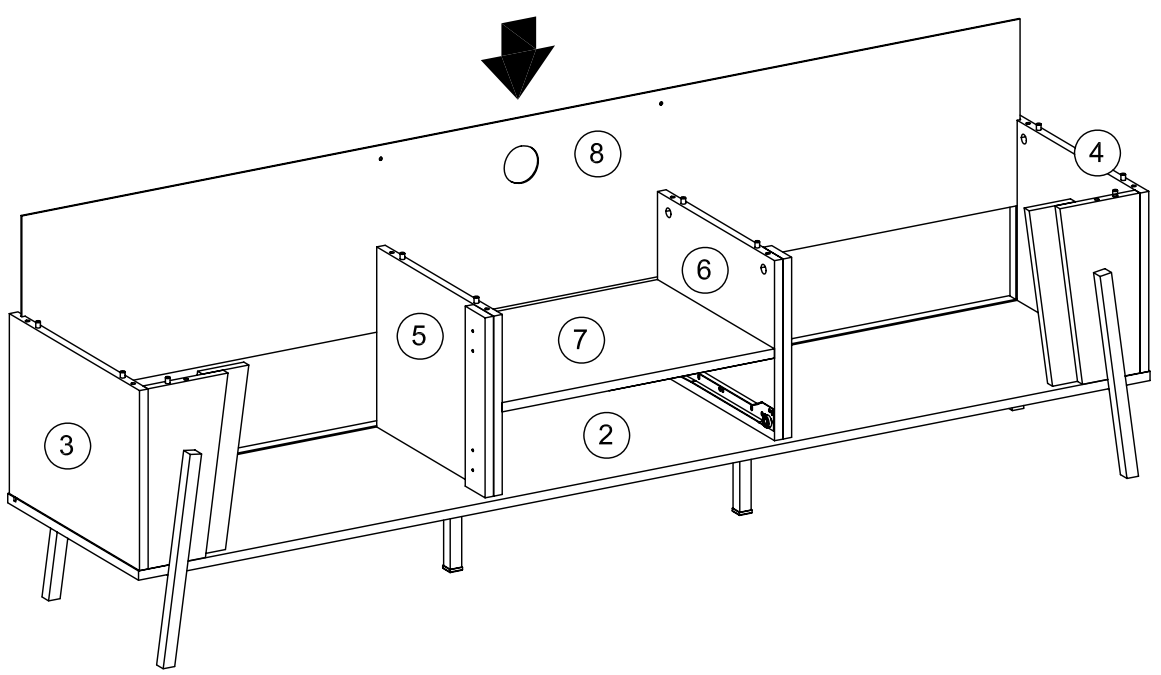


9

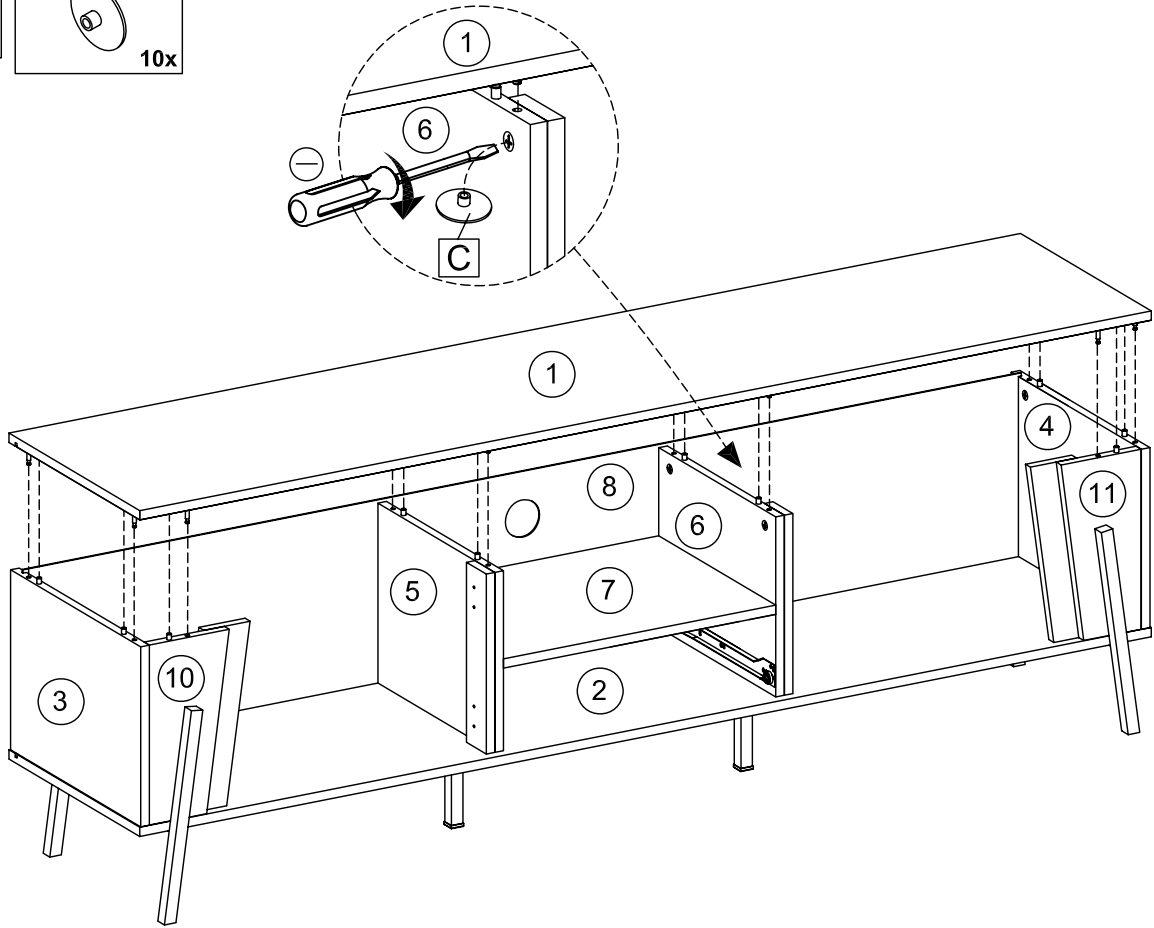
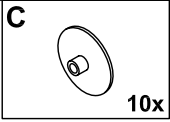
- K**  2x
- O**  1x
- P**  4x



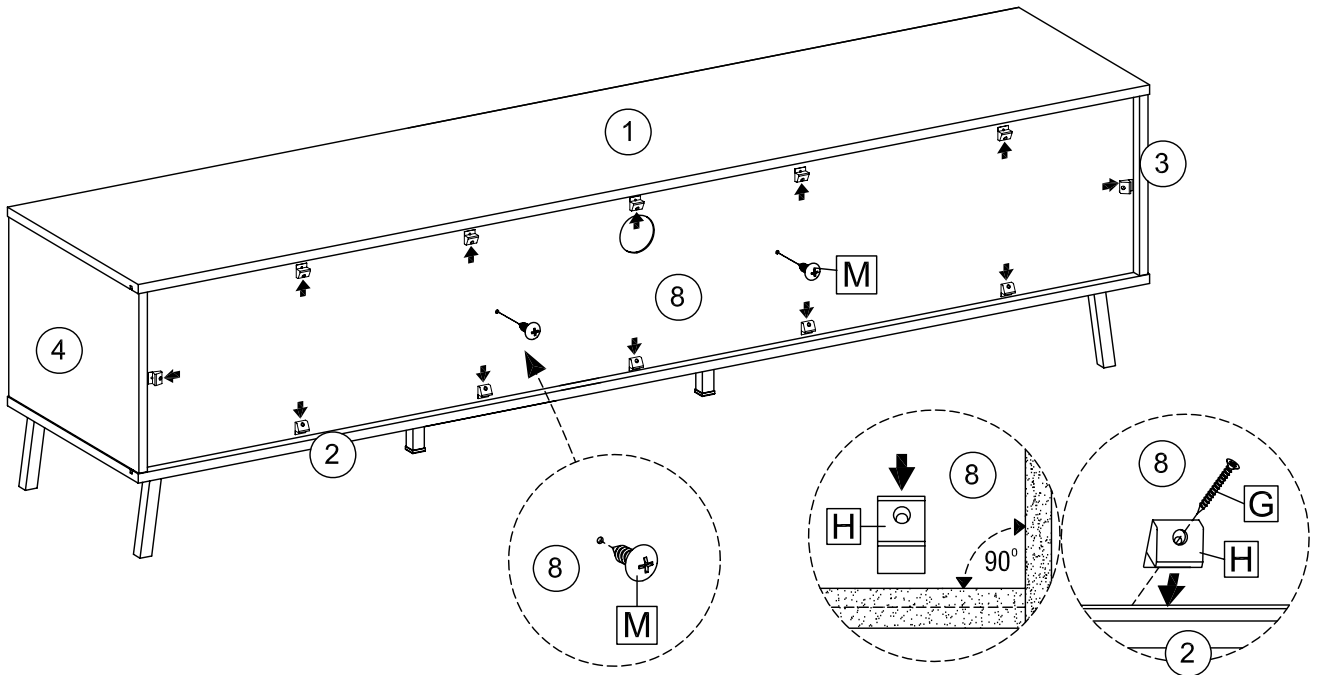
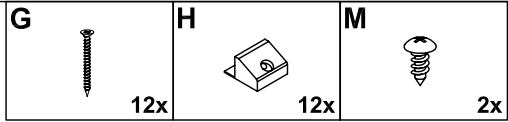
10



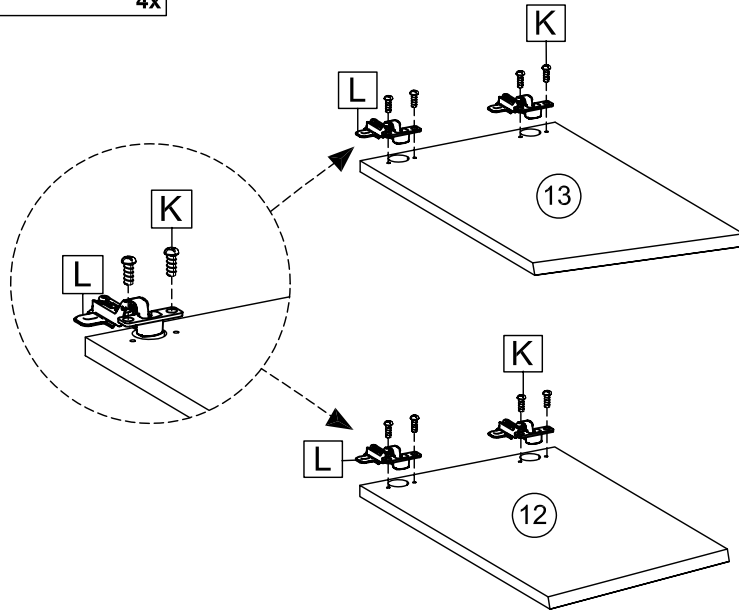
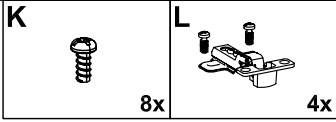
11



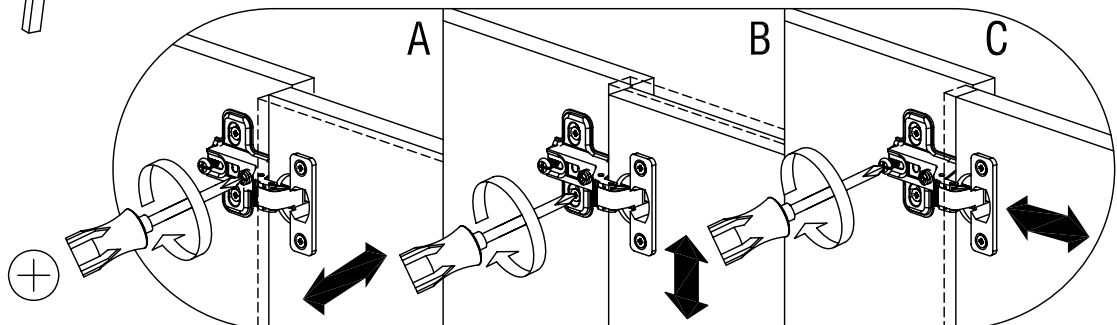
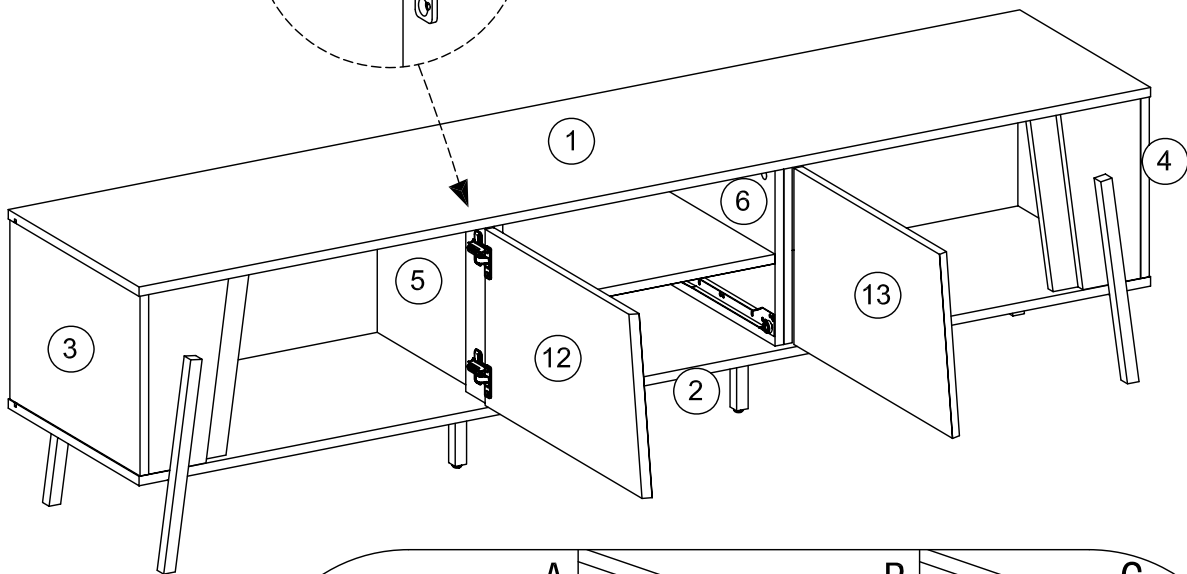
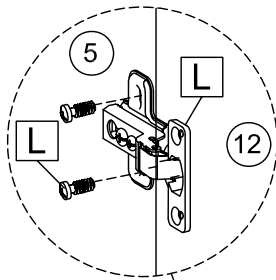
12



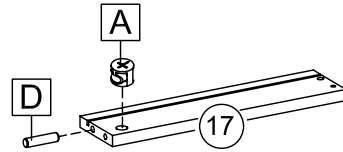
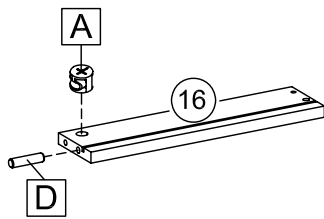
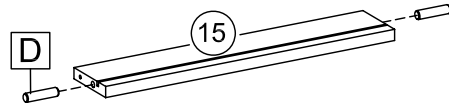
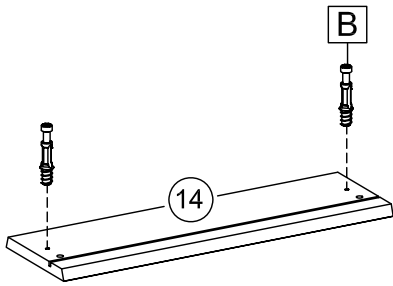
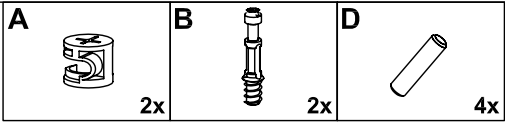
13



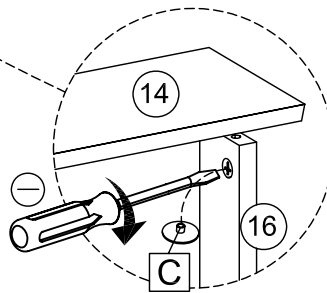
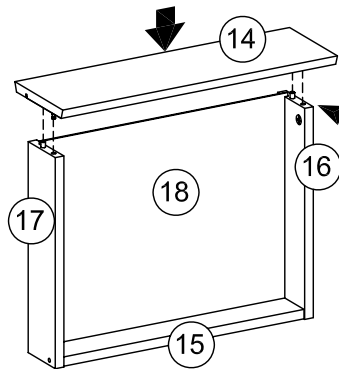
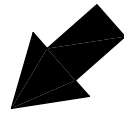
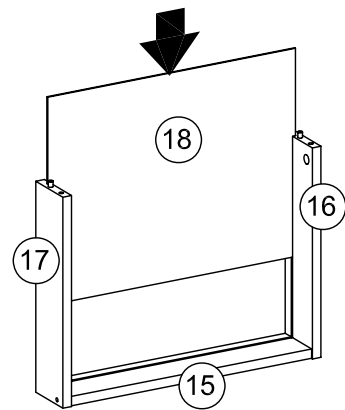
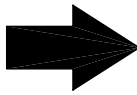
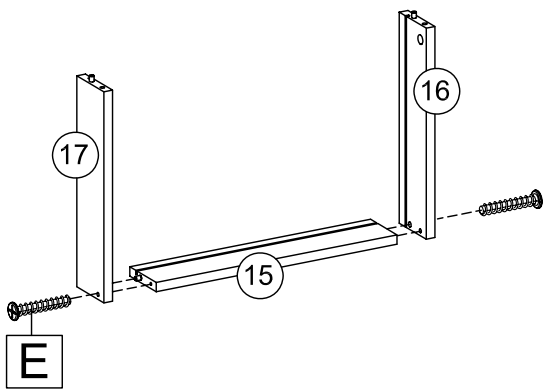
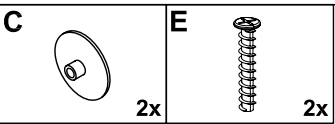
14



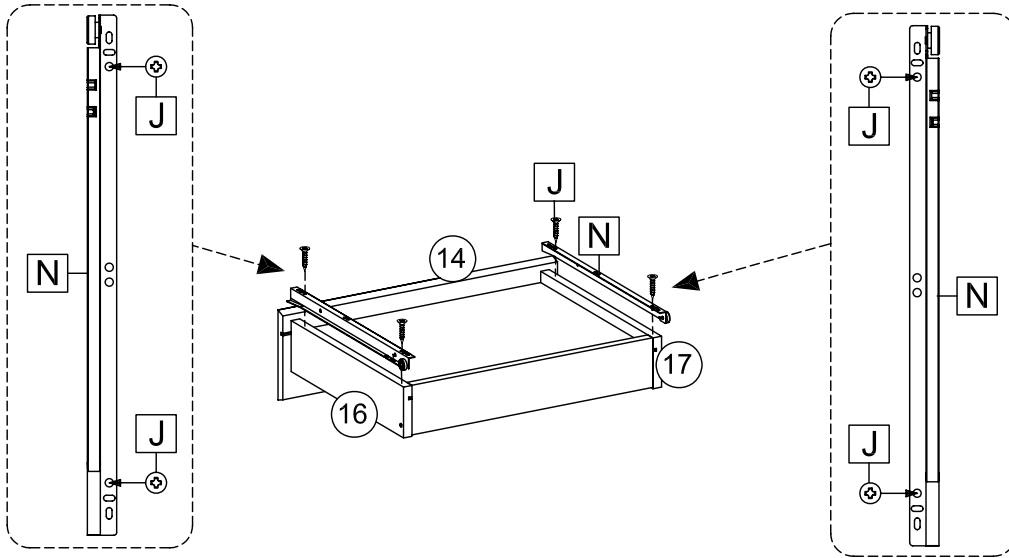
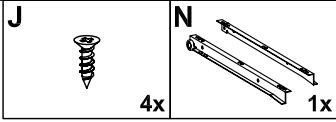
15



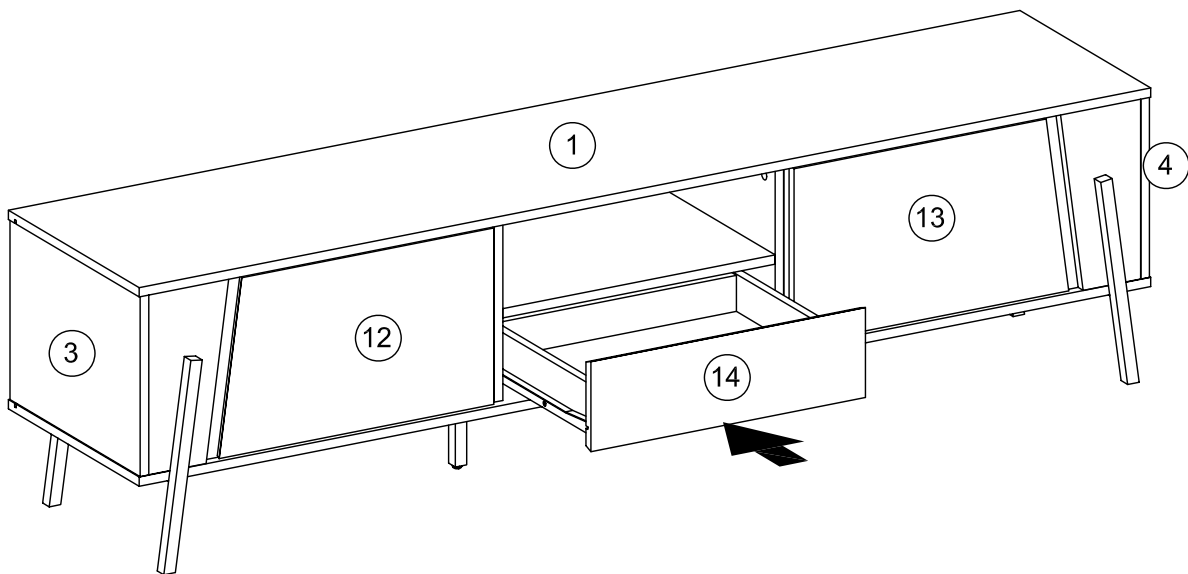
16



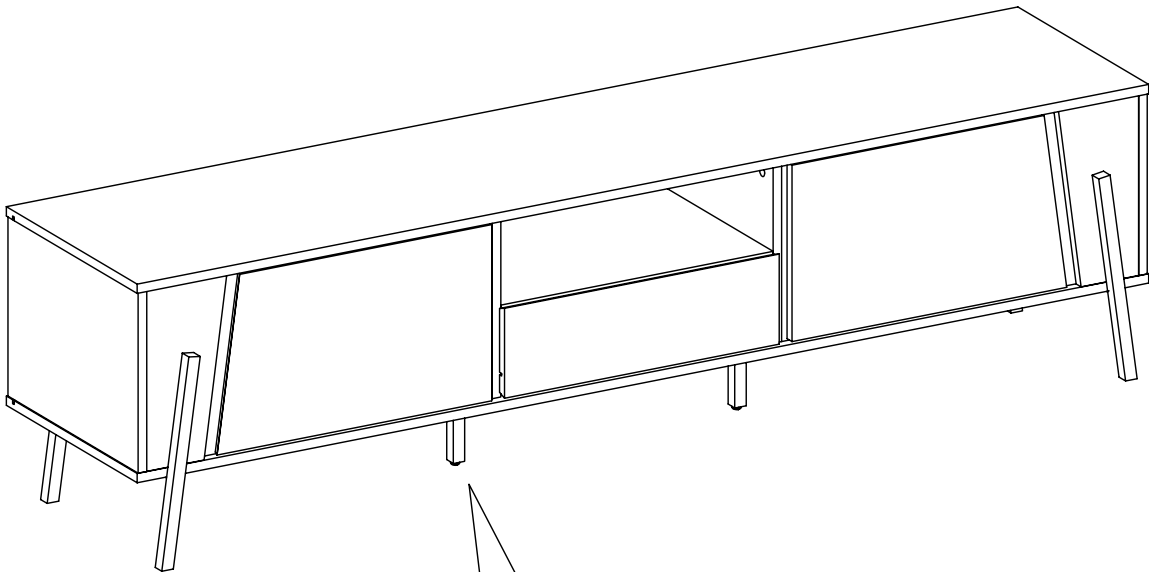
17



18



19



ADJUSTABLE FEET

The diagram illustrates the process of adjusting the feet in three stages:

- Stage 1:** A TV stand is shown on a surface labeled "FLOOR". The feet are not fully extended.
- Stage 2:** A hand is shown turning a circular dial on the leg, with arrows indicating the direction of rotation. The surface is labeled "FLOOR".
- Stage 3:** The feet are fully extended and the stand is level on the "FLOOR". A checkmark is placed above the stand, and the word "ADJUSTED" is written above it.