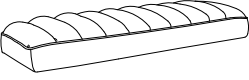

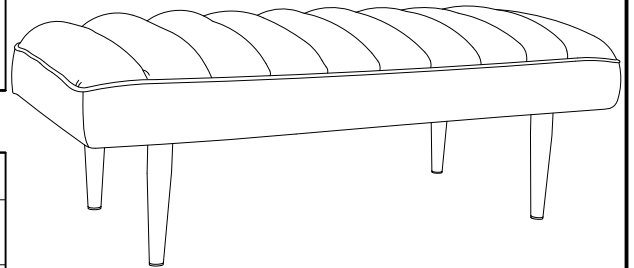








BH107 ASSEMBLY INSTRUCTIONS

Parts

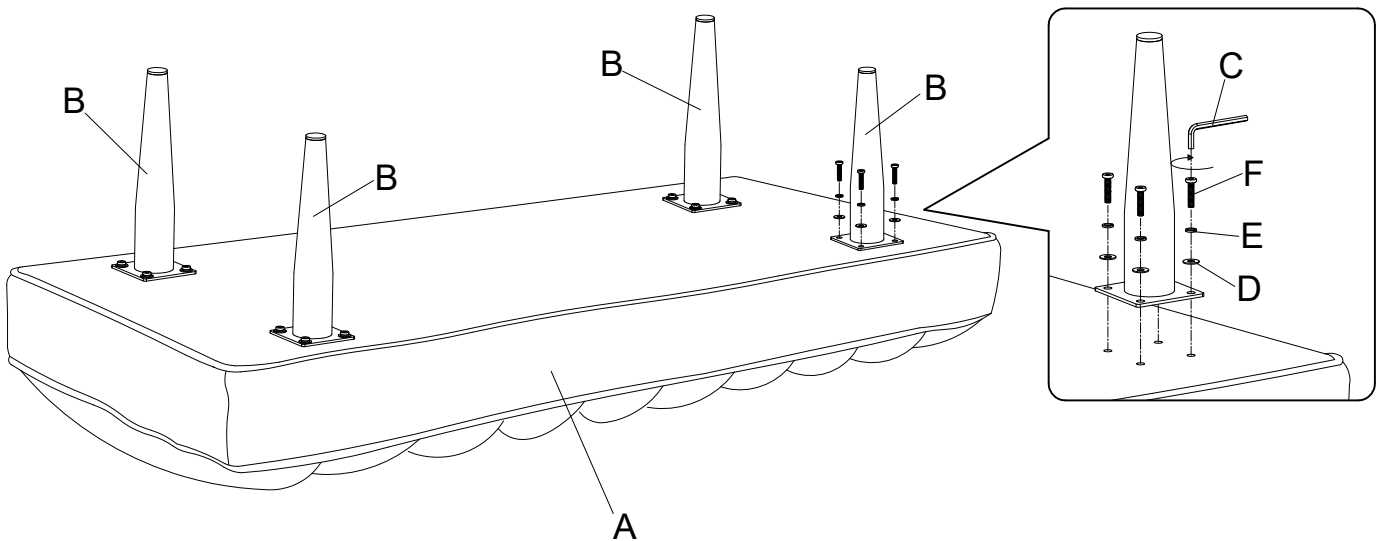
NO.	Picture	Description	Size	QTY
A		Seat Cushion	52.5"x22"x7.5"	1
B		Leg	11"x3.5"x3.5"	4



Hardware

NO.	Picture	Description	Size	QTY
C		Allen Key	1/4"	1
D		Flat Washer	1/4"	16
E		Spring Washer	1/4"	16
F		Bolt	1/4"x1"	16

STEP: 1



*Do not tighten bolts until both screws are aligned then fully tighten.

Overall Size: **52.5"W x 22"D x 18.5"H**