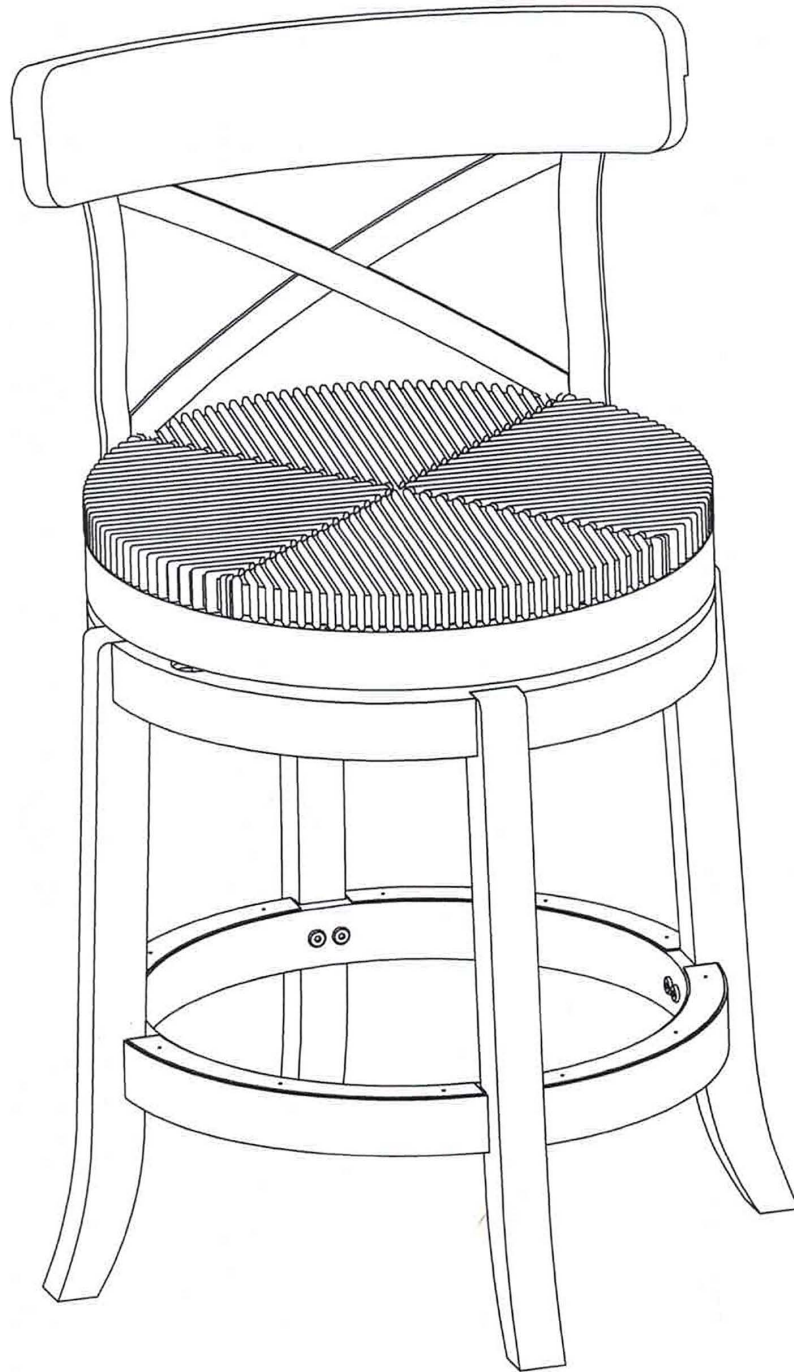
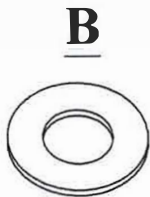


# ASSEMBLY INSTRUCTIONS

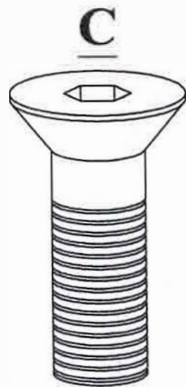




20 PCS



20 PCS



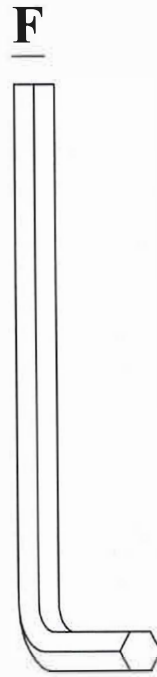
4 PCS



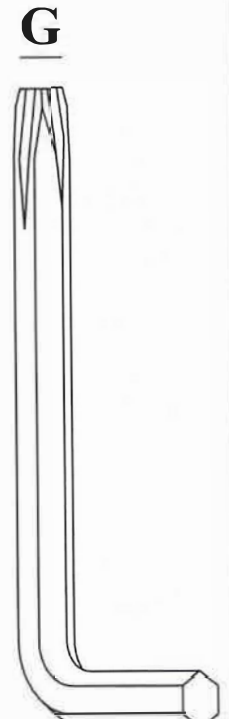
12 PCS



8 PCS

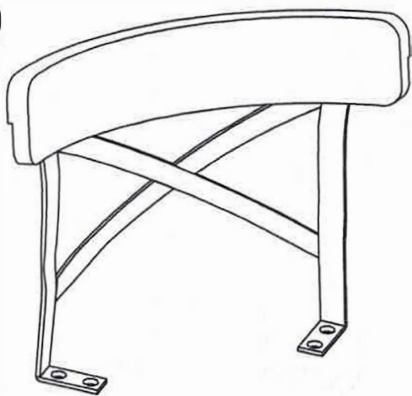


1 PC

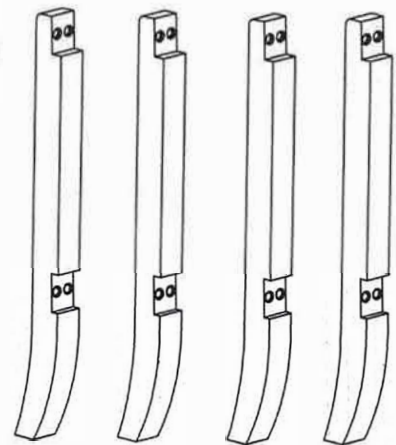


1 PC

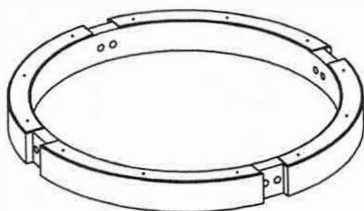
1



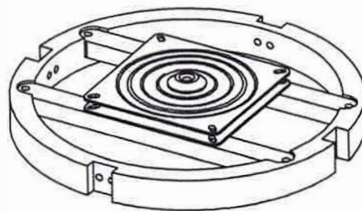
2



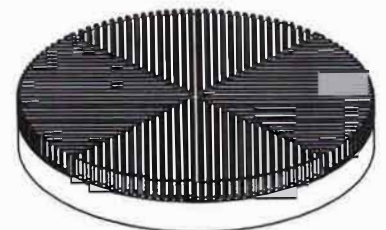
3



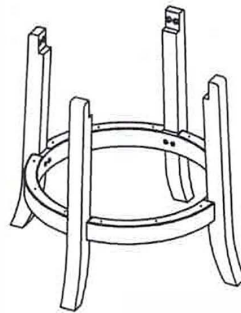
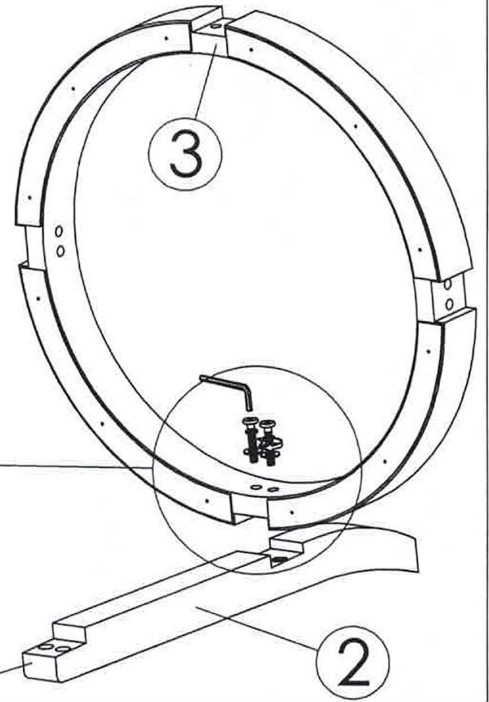
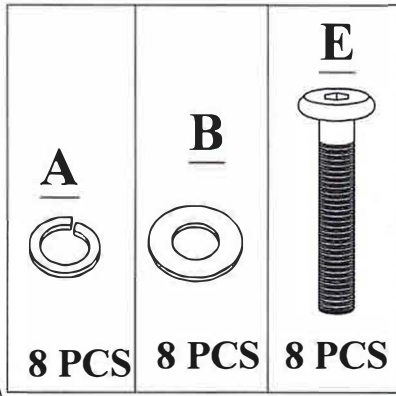
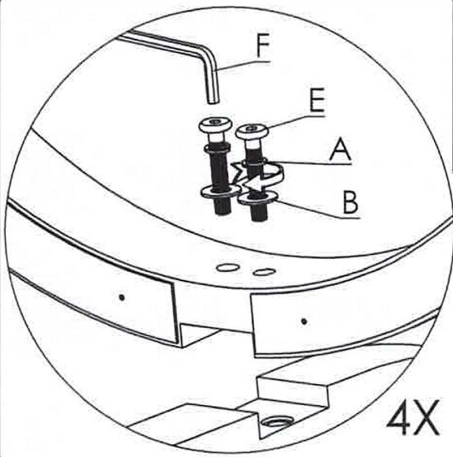
4



5

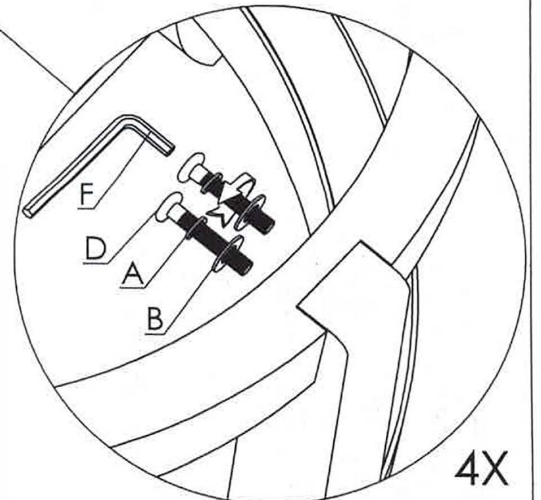
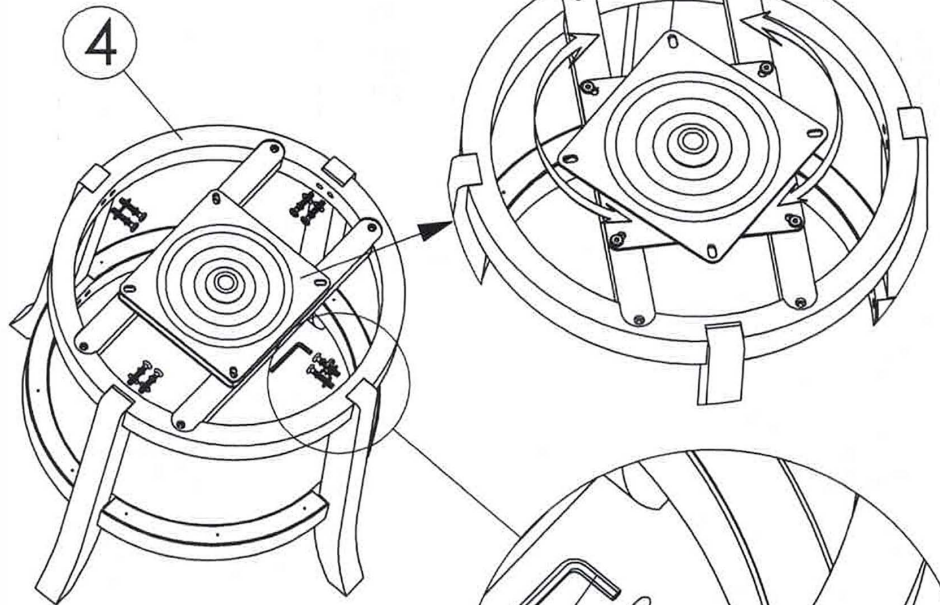
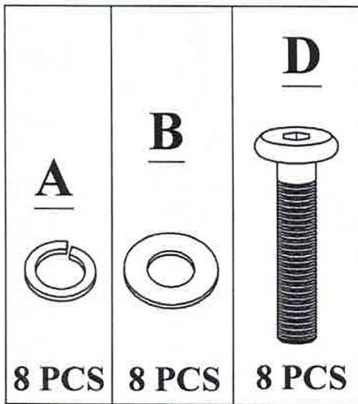


# 01



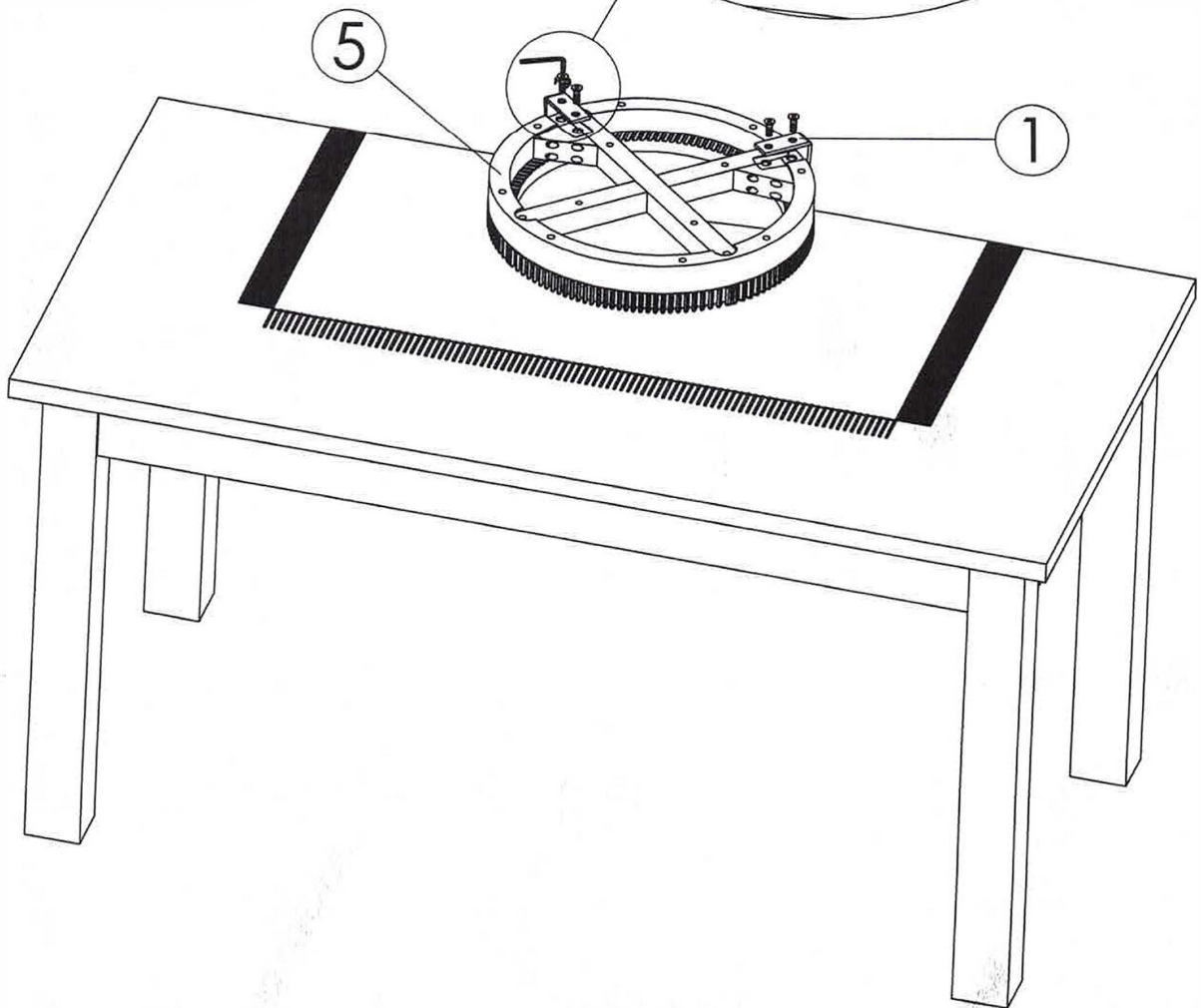
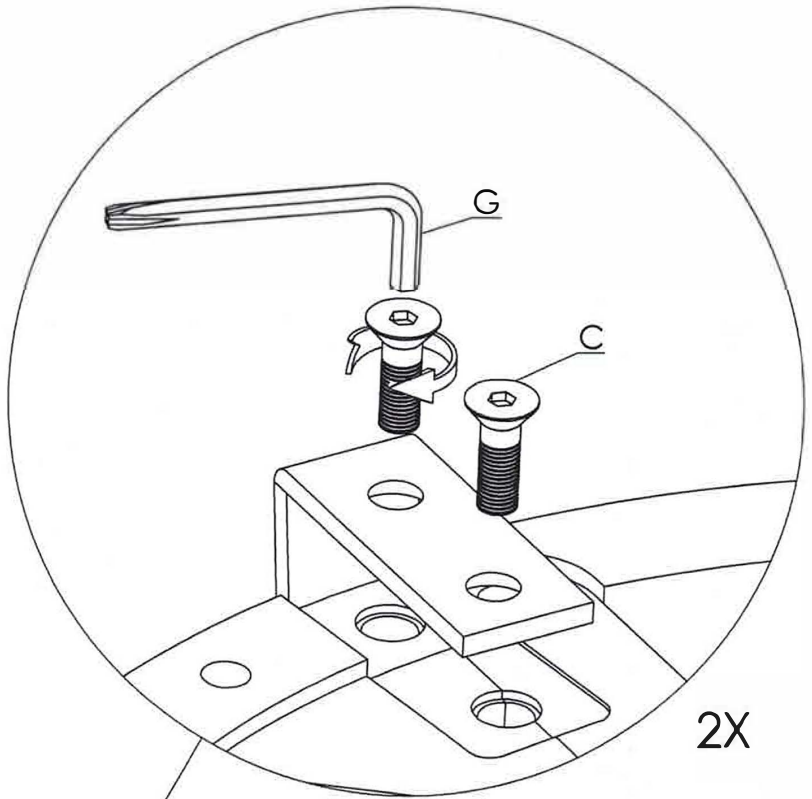
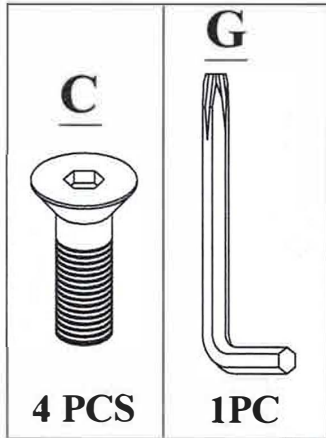
DO NOT TIGHTEN BOLT COMPLETELY.

# 02



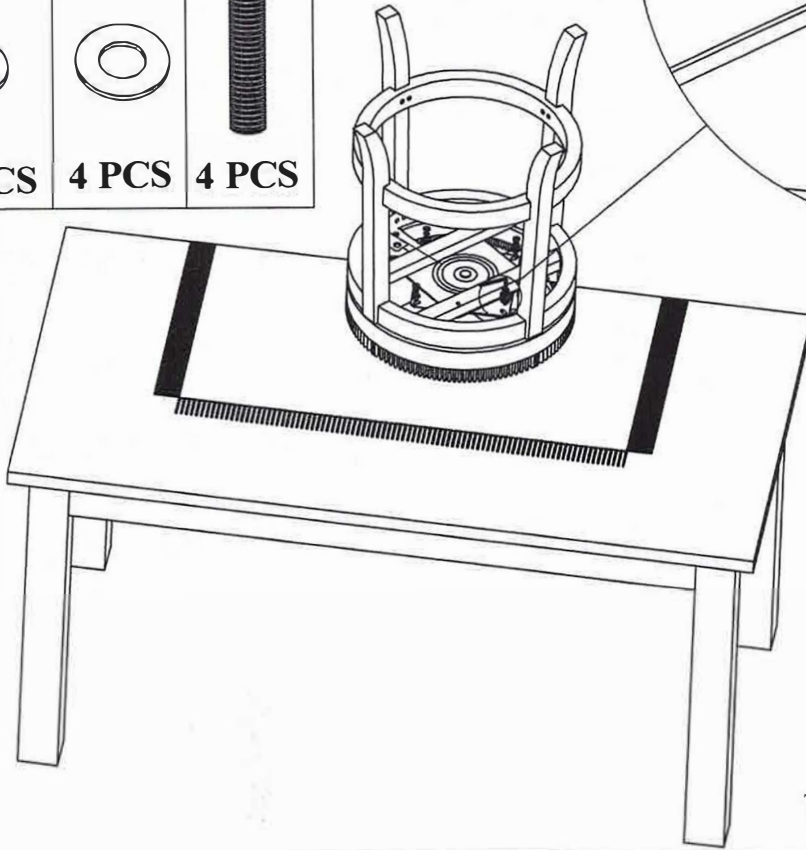
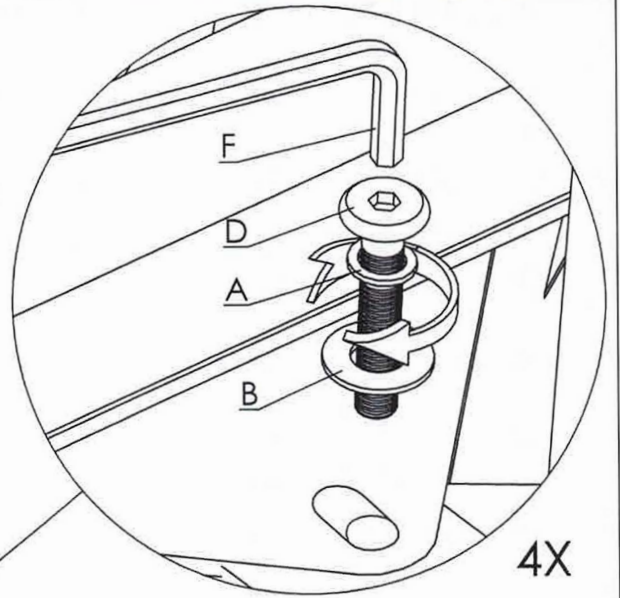
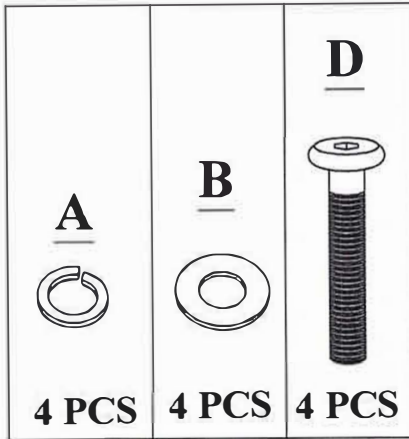
TIGHTEN BOLT COMPLETELY.

# 03

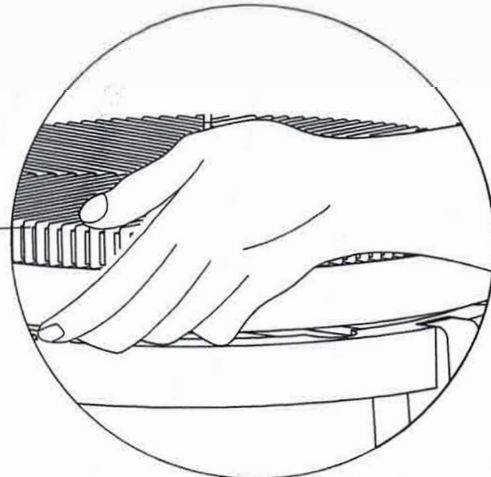
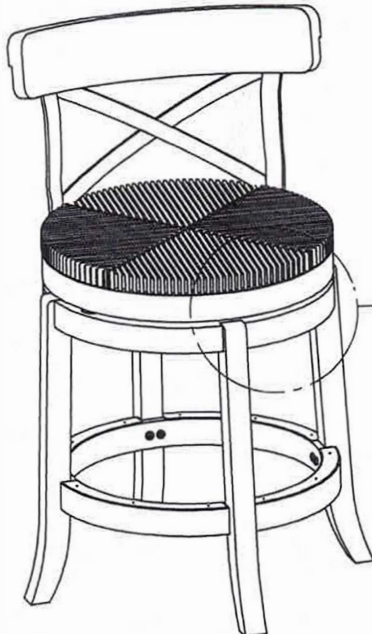


TIGHTEN BOLT COMPLETELY.

# 04



TIGHTEN BOLT COMPLETELY.



BE SURE TO CHECK ALL BOLTS ARE SECURELY TIGHTENED PRIOR USING THIS STOOL.