




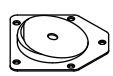
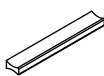
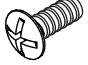



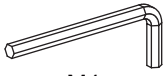
Product Name:	Black Manufactured Wood 4-Drawer Accent Chest
SKU #:	WHIF1733

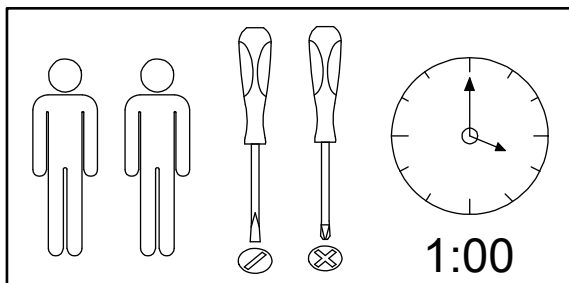
Thank you for purchasing this Luxen Home product. This product has been manufactured with the highest standards of safety and quality.

PLEASE READ ALL INSTRUCTIONS BEFORE ASSEMBLY.

Unpack all parts from Styrofoam and bubble wrap inside the carton to ensure there are no missing or damaged parts. If any parts are missing or damaged, do not attempt to assemble or use the product.

Hardware:

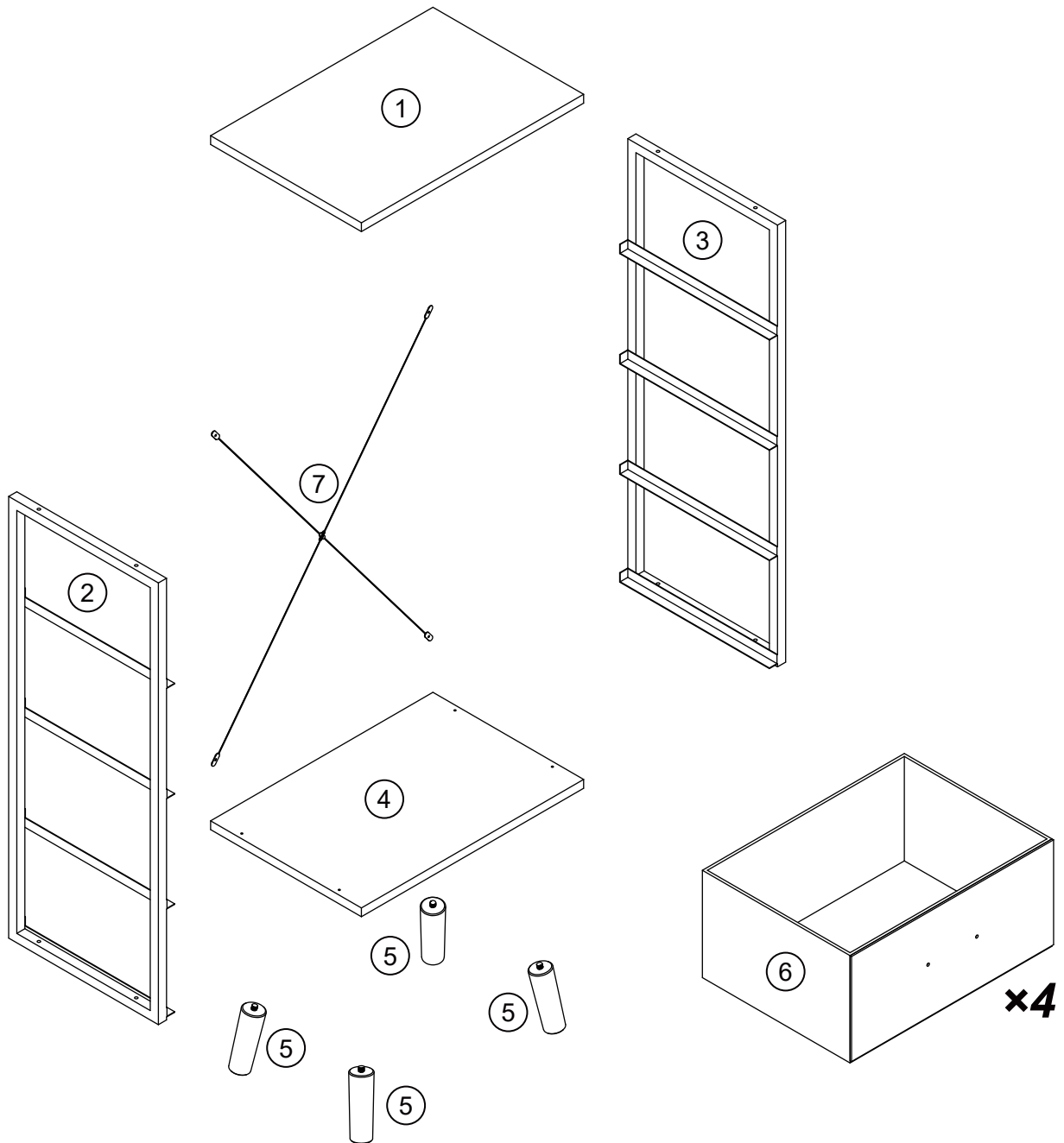
(A) × 8  (φ4x25 mm)	(B) × 4  (φ6x10 mm)	(C) × 21  (φ4x12 mm)	(D) × 4 	(E) × 4 	(F) × 8  (φ4x12 mm)
(G) × 1 	(H) × 1 	(I) × 1  (φ4x35 mm)	(J) × 1  M4		



Tools required for assembly: Philips screwdriver and Flathead Screwdriver (if using power tools, use with care).

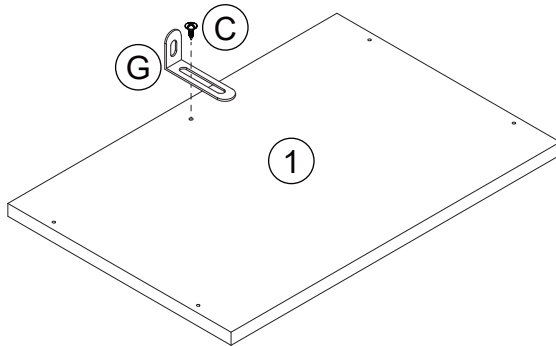
Product Name:	Black Manufactured Wood 4-Drawer Accent Chest
SKU #:	WHIF1733

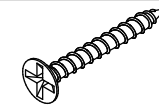
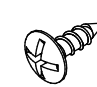
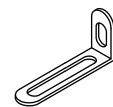
Panels:

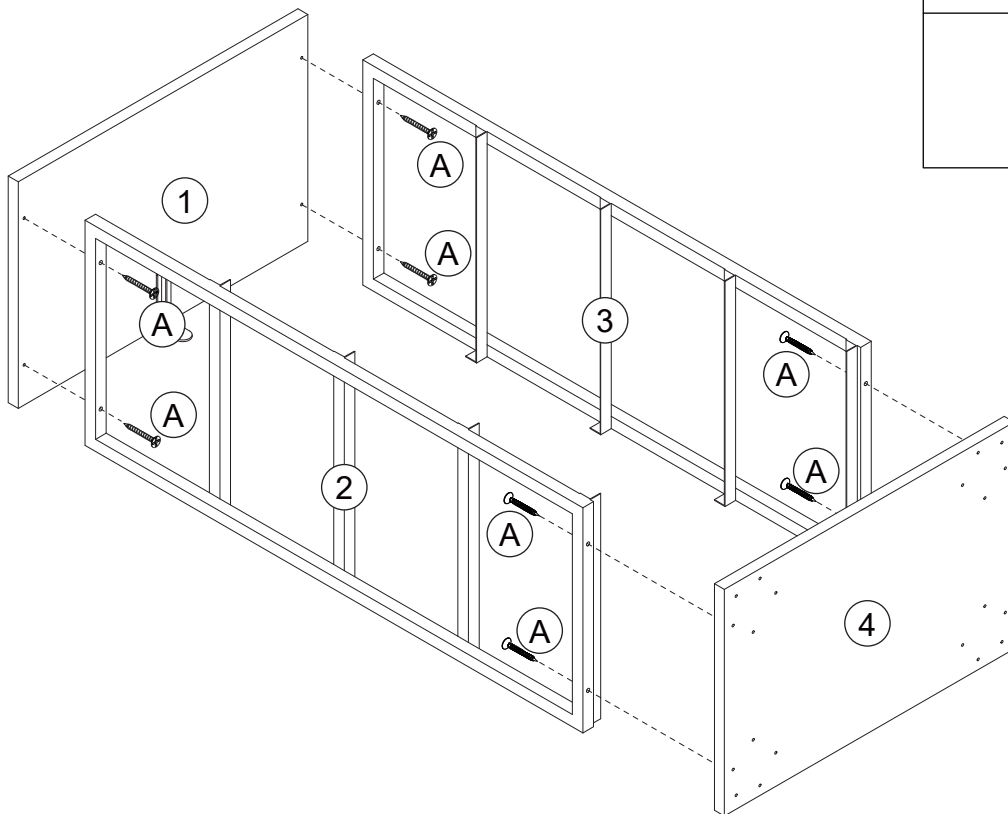


Product Name:	Black Manufactured Wood 4-Drawer Accent Chest
SKU #:	WHIF1733

Step 1

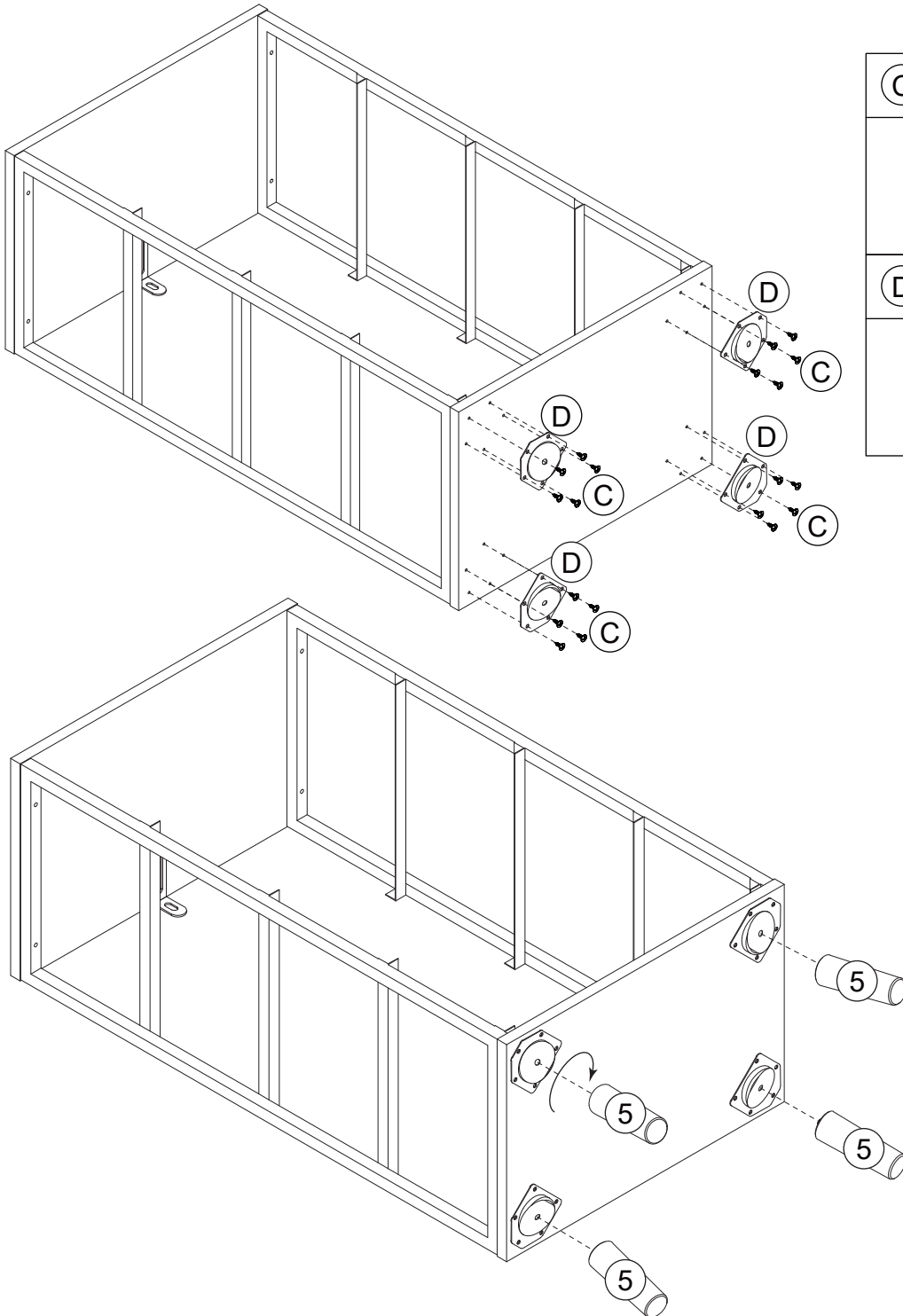


Ⓐ × 8
 (φ4x25 mm)
Ⓒ × 1
 (φ4x12 mm)
Ⓔ × 1




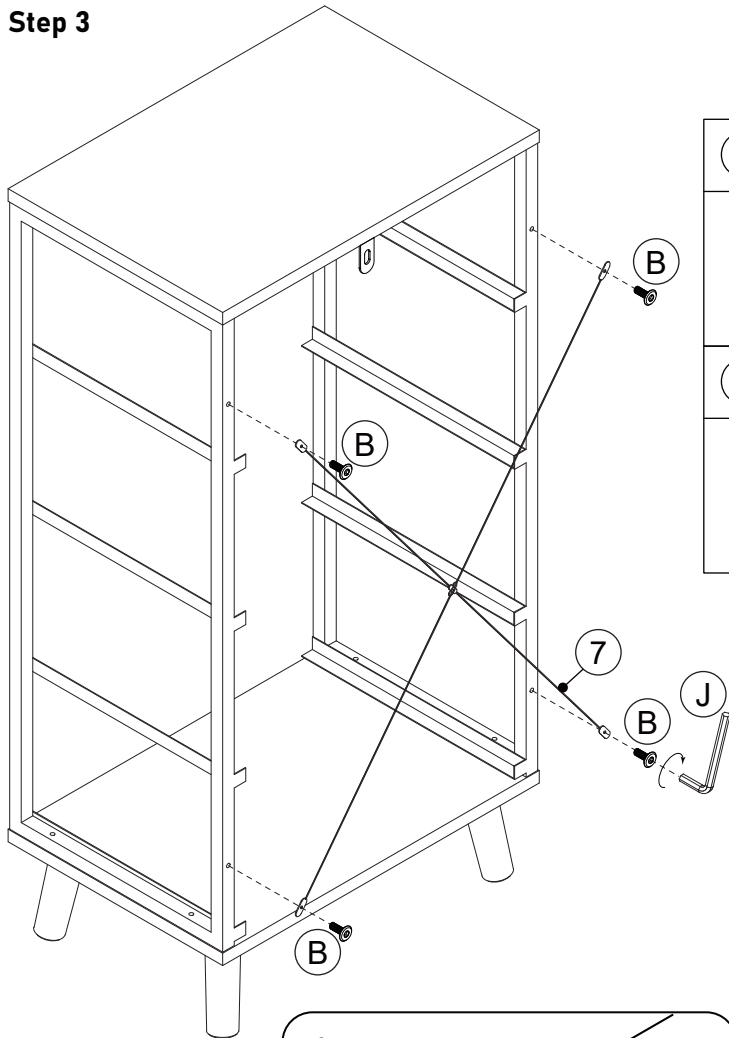
Product Name:	Black Manufactured Wood 4-Drawer Accent Chest
SKU #:	WHIF1733





Step 2

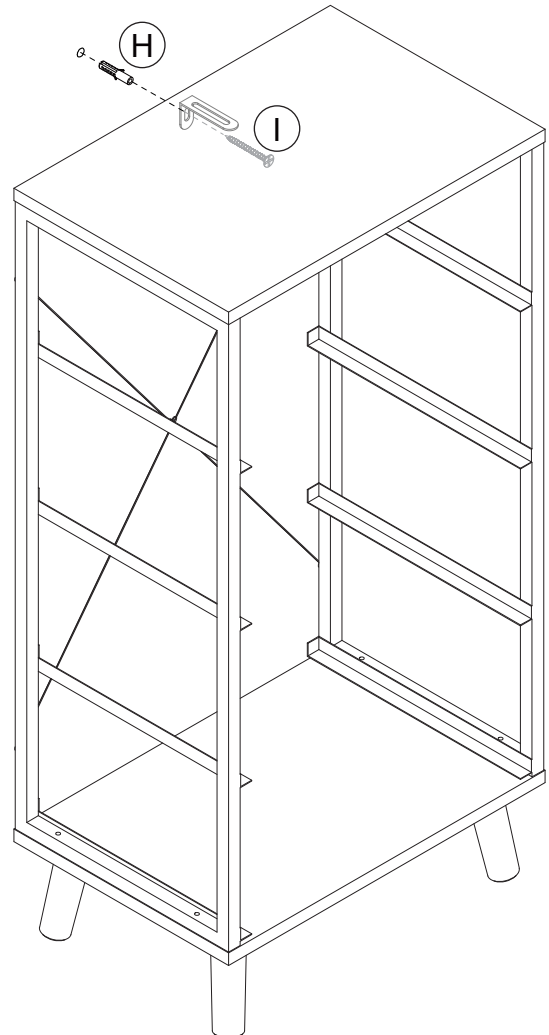
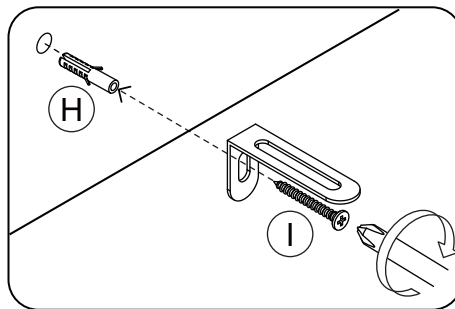


Product Name:	Black Manufactured Wood 4-Drawer Accent Chest
SKU #:	WHIF1733

Step 3

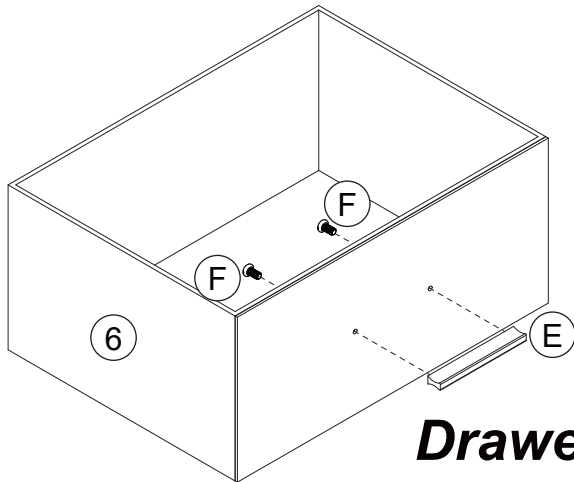


B × 4  (φ6x10 mm)	H × 1 
I × 1  (φ4x35 mm)	J × 1  M4



Product Name:	Black Manufactured Wood 4-Drawer Accent Chest
SKU #:	WHIF1733

Step 4



Drawer ×4

