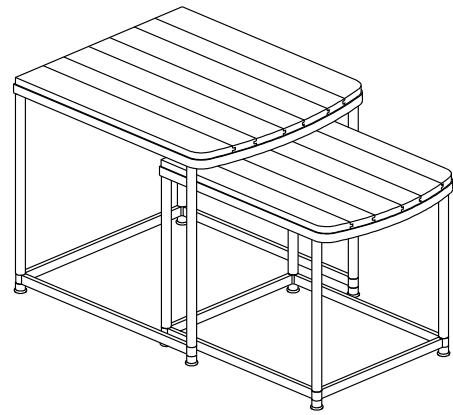


ASSEMBLY INSTRUCTIONS



TOOLS REQUIRED:

NONE

BEFORE YOU START:

1. Check the parts against the parts list to make sure all items are present.
2. Assemble your furniture on a soft, flat surface to avoid scratching the finish.
3. **CAUTION:** Do not over tighten screws, nuts or bolts during assembly.
4. Your furniture may require occasional tightening.

INSTRUCTIONS:

NOTE: Assembly is the same for both the large and small table.

1. Turn the table top upside down on a clean soft surface.
2. Screw the four legs to the top as shown in Figure 1.
3. Turn the base upside down aligning the holes in the base with the holes in the legs. Using the four bun feet to attach as shown in Figure 2.
4. Turn the table upright.

Figure 1

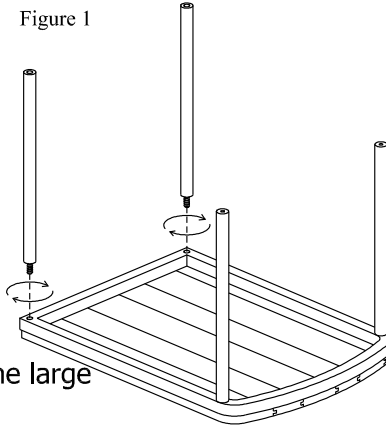


Figure 2

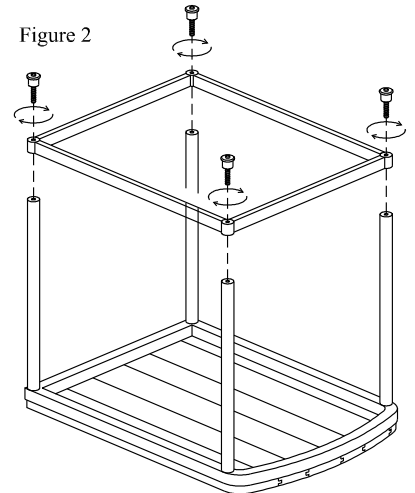


Figure 1

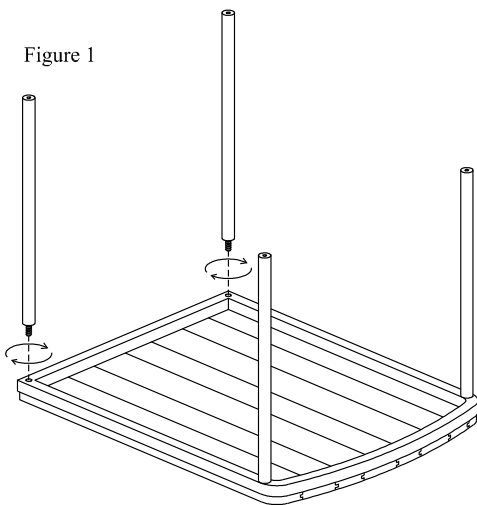


Figure 2

