


Assembly instructions

		Tools:
---	---	--------

Not Include:

1 pcs




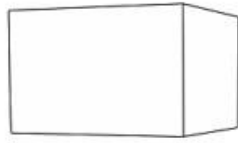
Component List:

A. Body Lamp

B. Lampshade



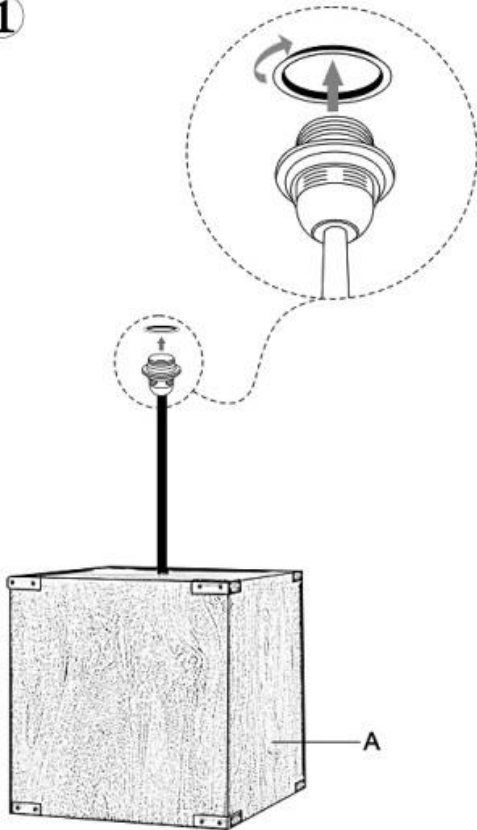
A = (1 pcs)



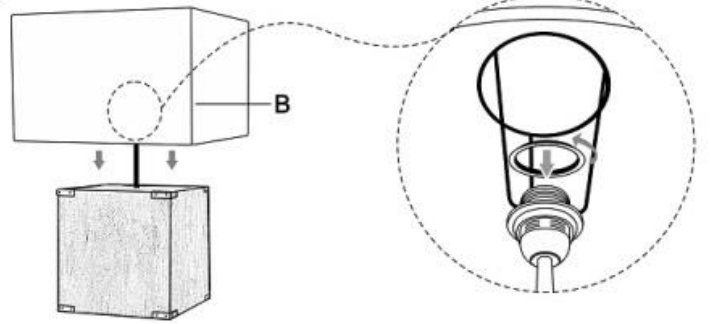
B = (1 pcs)

Assembly:

①



②



③

