

Assembly Instructions

Caution : You must read this before you proceed



SAFETY WARNING

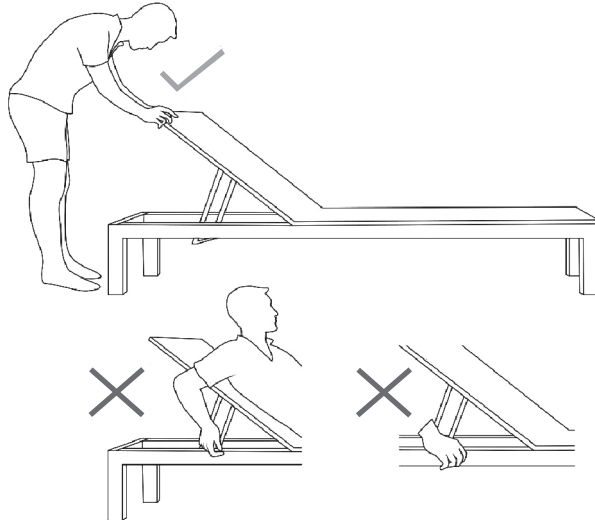
Never adjust chaise lounge or recliner backrest while seated.

Always make sure the backrest is flat before moving the chaise lounge.



















Keep all limbs clear from under the backrest when it is in a raised position.

Serious finger, hand, or other bodily injuries may result from adjusting the chaise lounge backrest position while seated.

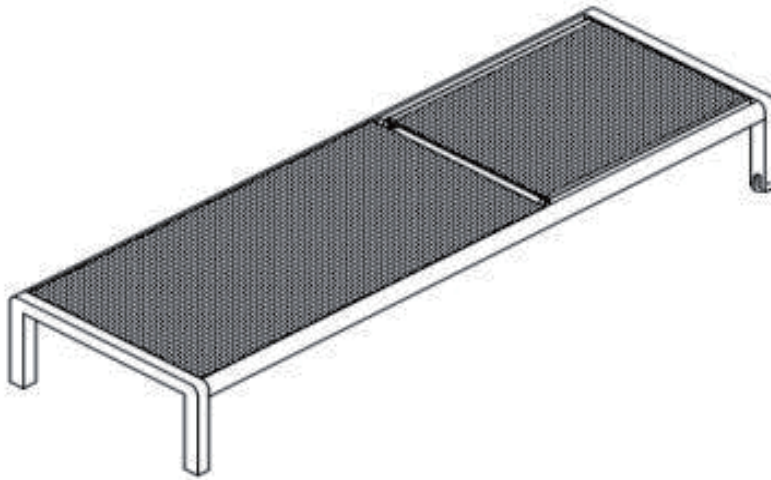
The examples pictured above are non exhaustive and are for your reference only



Care & Maintenance

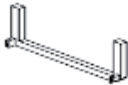

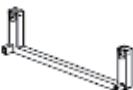
-   ● Not for commercial use. For residential use only .
 -   ● Do not put hot items directly on furniture surface
 -   ● Do not clean furniture with harsh cleansers or polish.
 -   ● To obtain the longest lifespan of your outdoor products, minimizing exposure to direct sunlight is recommended.
 -   ● Children should not climb or jump on the furniture.
 -   ● Do not write on furniture without a padded barrier to protect the surface.
 -   ● To obtain the longest lifespan of your outdoor products, avoid extended and lengthy exposure to rain, snow, and direct sunshine. Whenever possible cover the product and /or place under patio or awnings.
 -   ● Stains may be removed with mild soap solution and damp cloth.
 -   ● Keep away from sources of ignition.
-
-   ● Dust and pick-up spills using a clean, non-colored, lint-free cloth.

Chaise Lounge

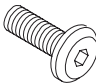
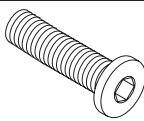



**CAUTION : This Lounge is NOT a TOY.
Keep your child / children at bay during the assembly process.**

Parts List

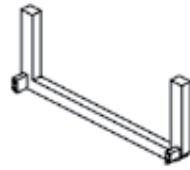
Label	Picture	Description	QTY
A		Front Leg	1
B		Seat Panel	1
C		Rear Leg	1

Hardware

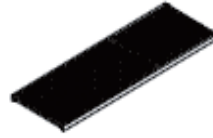
Label	Picture	Description	QTY
①		Bolt(M6*20MM)	5
②		Bolt(M6*25MM)	5
③		Allen Wrench	1

Assembly Preparation

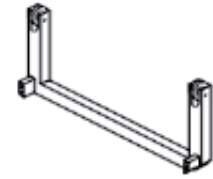
Before Beginning Assembly:



A



B



C



① x 5



② x 5



③



- Read instructions, cover to cover-



- Have 2 adults on hand for assembly-



- Do not assemble on flooring or carpet-



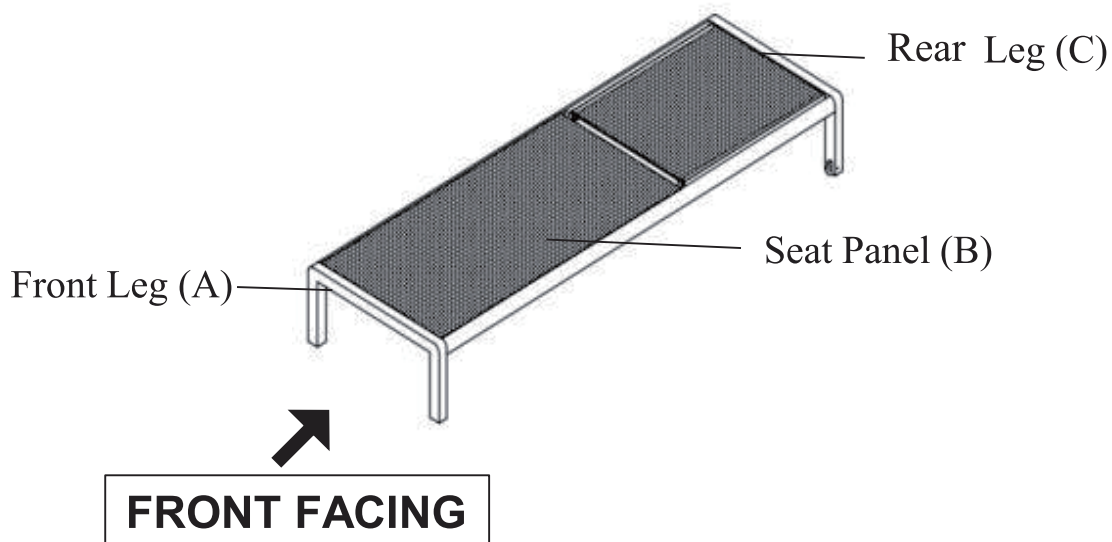
- Assemble on a clean non-marring surface (packing foam)-



- Save all packaging until finished-

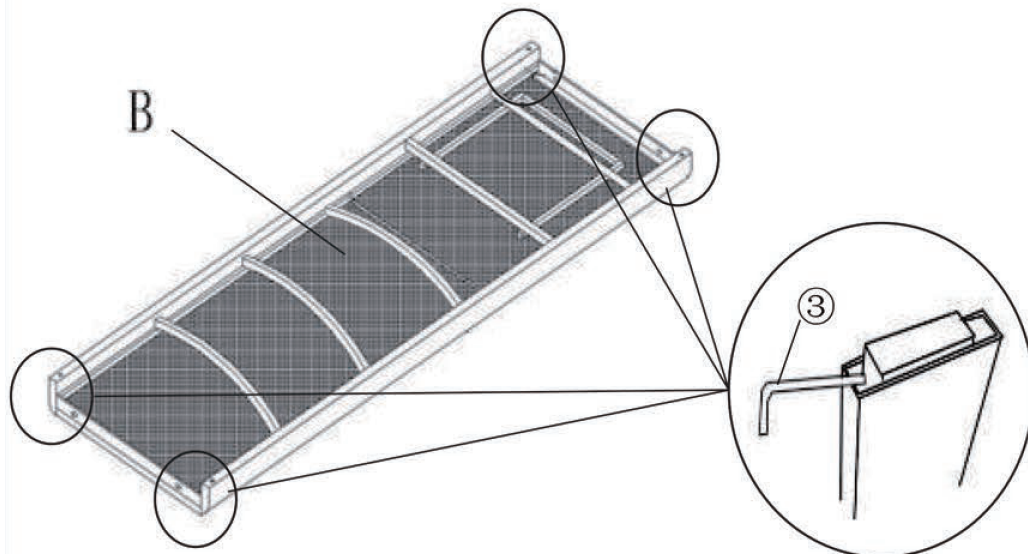
Assembly Steps

Overview



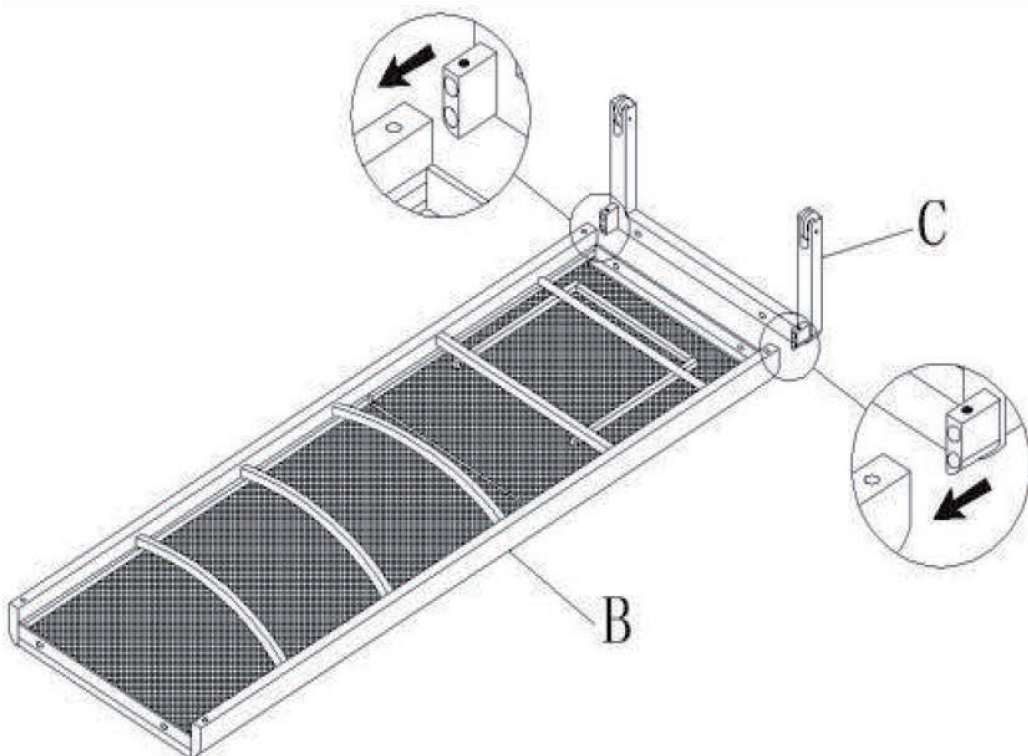
This Chaise Lounge has multiple parts and may require up to 30 minutes to assemble. To give you an overview of the Chaise Lounge parts, the above picture is to help you put the various parts into perspective. Please read through the instructions below to familiarise yourself with the parts and steps before assembly.

Step 1



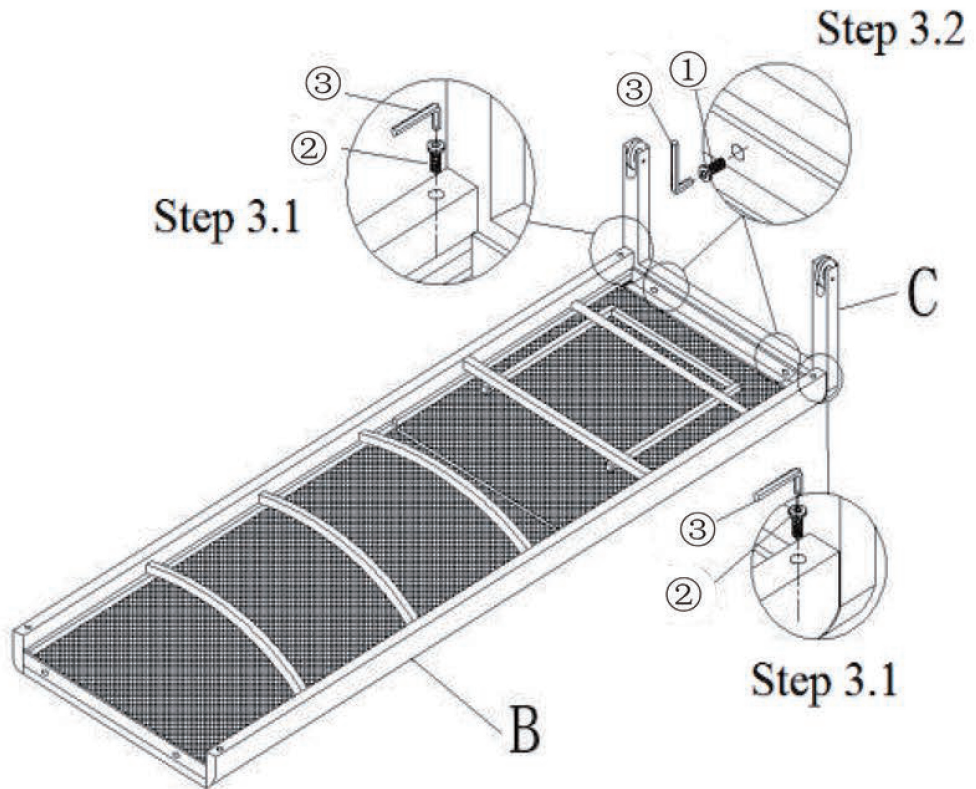
Open the carton and place all the parts onto a clean, non-marring surface.
Remove the plastic plugs (prevent the alum tube was scratched) from the four ends of the Seat Panel(B) using Allen Wrench (③) as shown above.
Place the Seat Panel(B) with its inside facing up.

Step 2



Insert the Rear Leg(C) into the Seat Panel(B)

Step 3

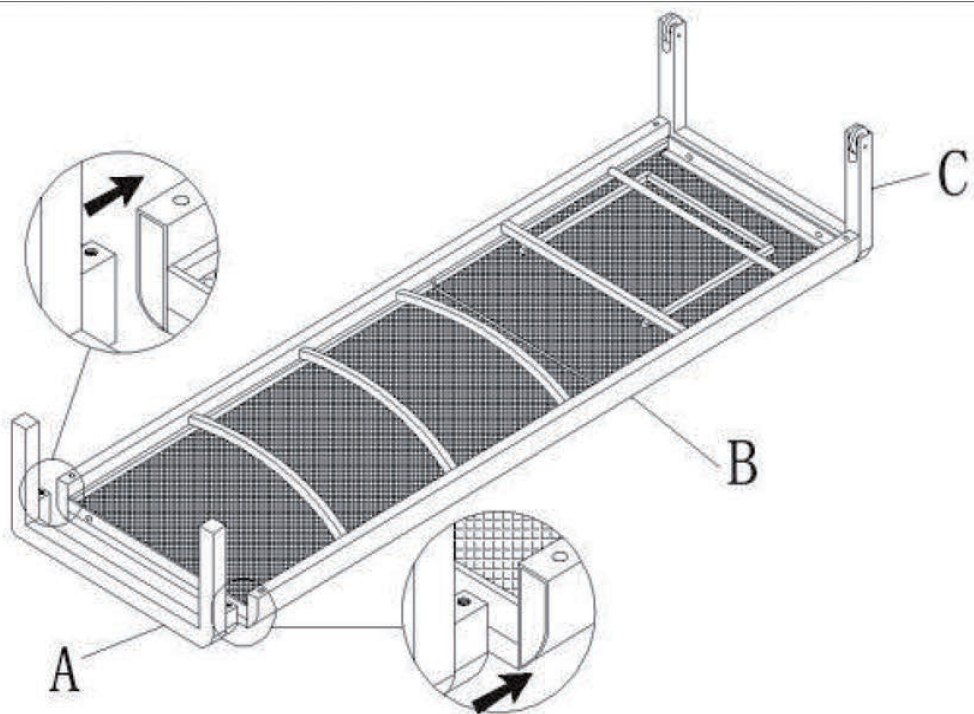


3.1) Attach the Rear Leg(C) to the Seat Panel(B) using Bolts(②) with Allen Wrench (③) as shown above.

3.2) Attach the Rear Leg(C) to the Seat Panel(B) using Bolts(①) with Allen Wrench (③) as shown above.

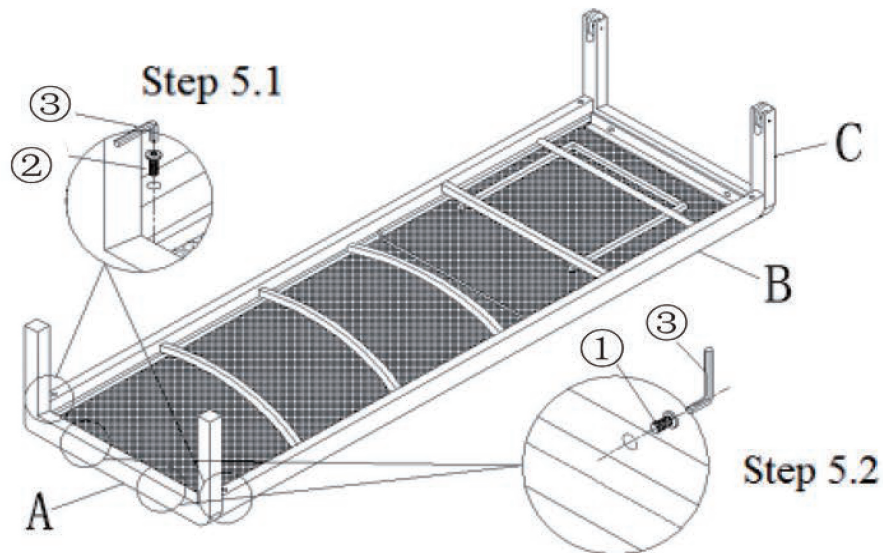
Do not fully tighten Bolts.

Step 4



Insert the Front Leg(A) into the Seat Panel(B)

Step 5

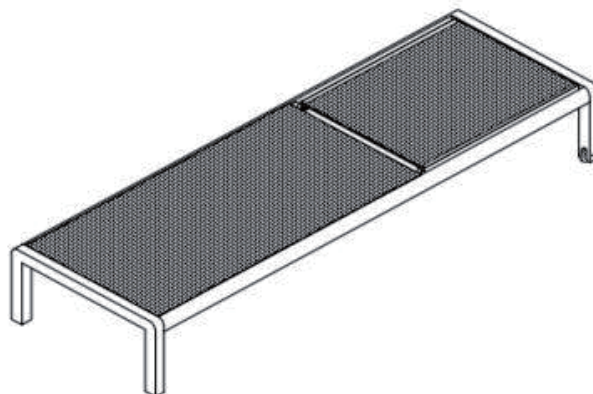


5.1) Attach Front Leg(A) to Seat Panel(B) using Bolts(②) with Allen Wrench(③) as shown above.

5.2) Attach Front Leg(A) to Seat Panel(B) using Bolts(①) with Allen Wrench(③) as shown above.

Do not fully tighten Bolts.

Step 6



Stand the Chaise Lounge up.

Place the Chaise Lounge on a **LEVEL SURFACE**.

Inspect it and make sure all parts are adequately connected.

Gently and carefully, sit onto to the Chaise Lounge.

This will help to align all the parts at all joints.

Then get off the Chaise Lounge, and in a sequential manner, proceed to tighten all Bolts.

When tightening the Bolts, tighten sequentially.

DO NOT tighten any Bolt fully and then move on to the next one.

This may cause the frame to warp.

If there is still wobbles, loosen the bolts and execute this same process.

If the Chaise Lounge is not stable it could lead to damage to the product.

Note: This step is done best with the assistance of a second adult.

Your Chaise Lounge is ready for use.