

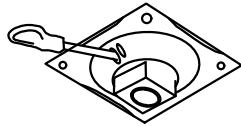
ASSEMBLY INSTRUCTIONS

DESK CHAIR

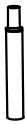
Components



a
x1



b
x1

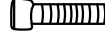
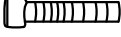





c
x1



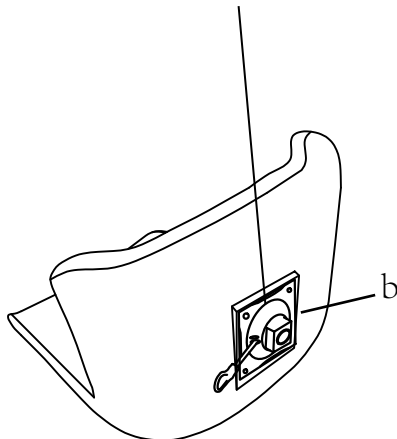
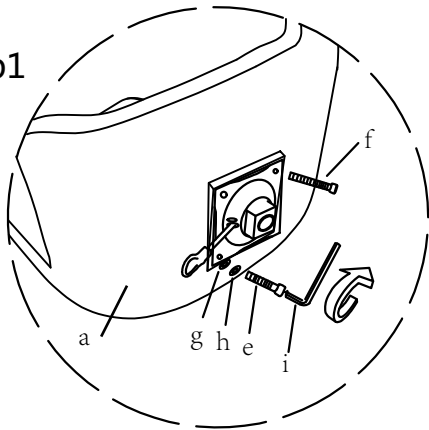
d
x1

Hardware List

e		Bolt	M6*30mm	2
f		Bolt	M6*40mm	2
g		Flat Washer	Ø20	4
h		Spring Washer	Ø13	4
i		Allen Key	4mm	1

Assembly Instructions

Step1



Step2

