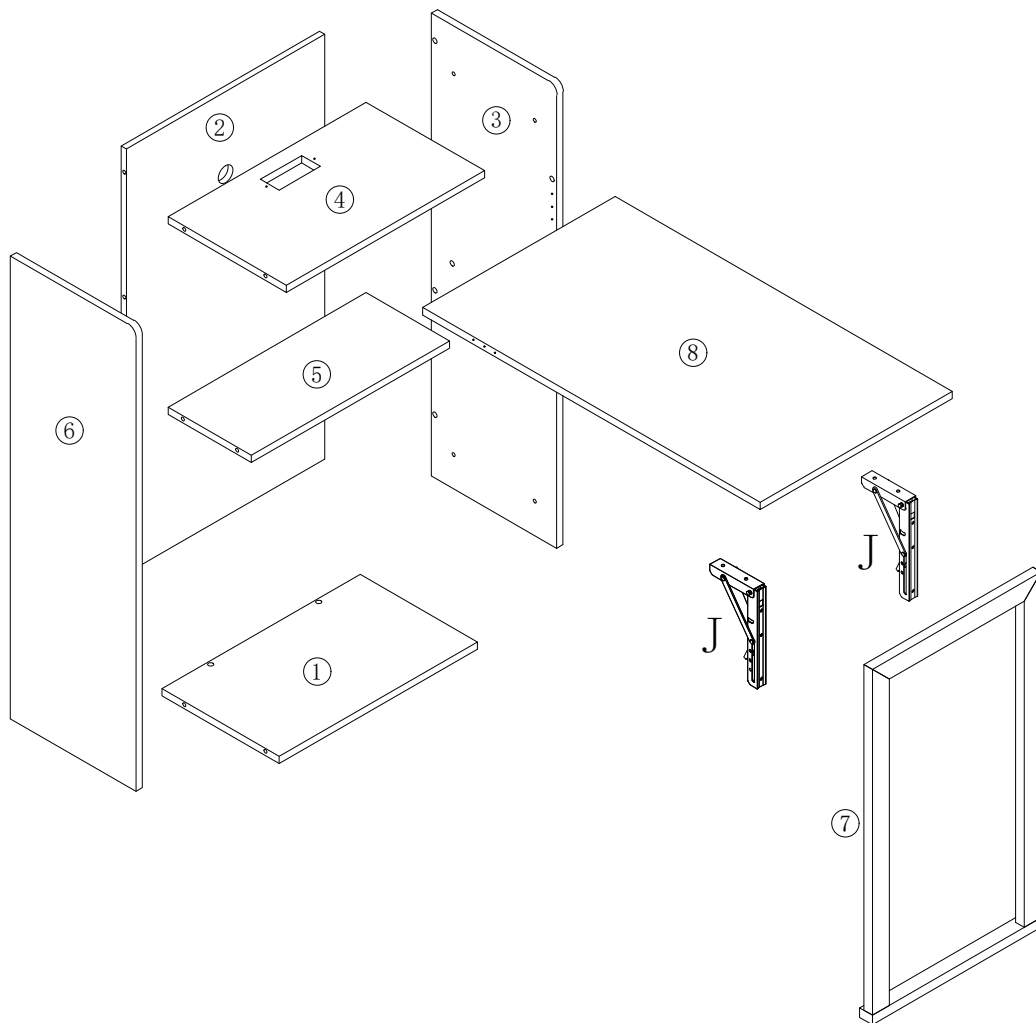
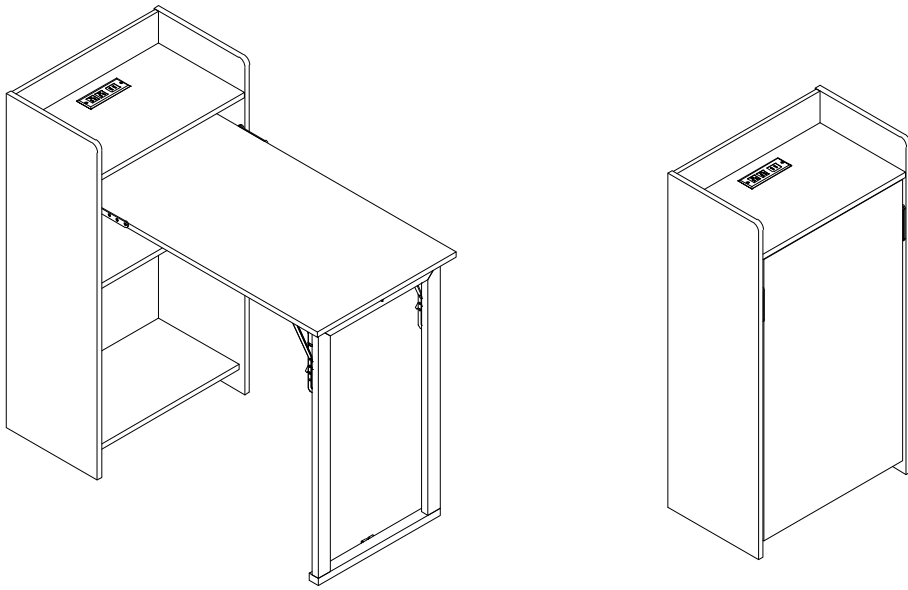


# ASSEMBLY INSTRUCTION

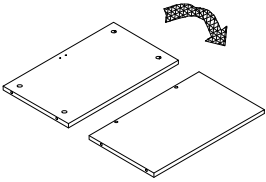
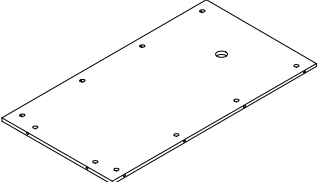
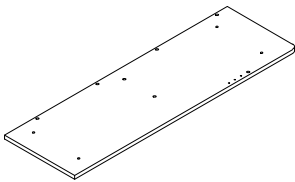
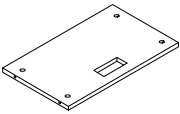
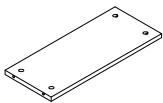
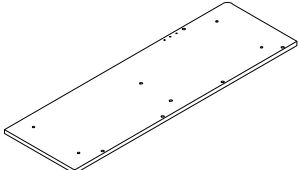
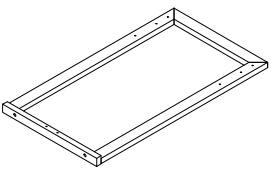
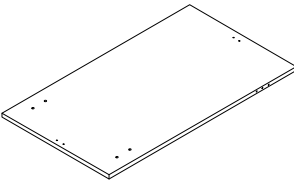






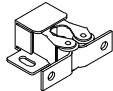
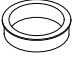
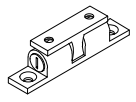
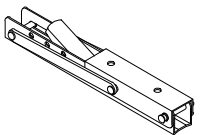
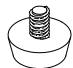
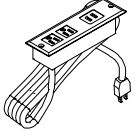

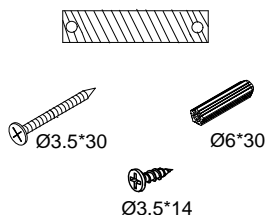





**Precautions:**

1. It is recommended to wear gloves for assembly to protect hands from injury.
  2. When assembling, please strictly follow the installation direction and order in the instruction manual.
  3. Tighten the screws after two or more parts have been successfully assembled, Tightening the screws early will cause the parts to be disassembled and reassembled.
  4. Please place all parts correctly to avoid unnecessary trouble.
- Thank you for your patience in reading,. Wish you a happy life!

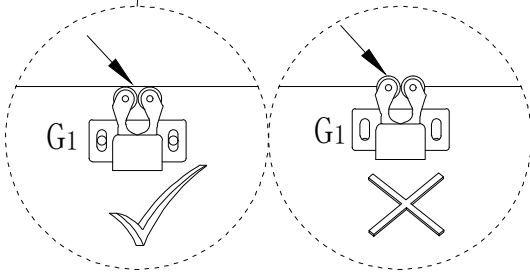
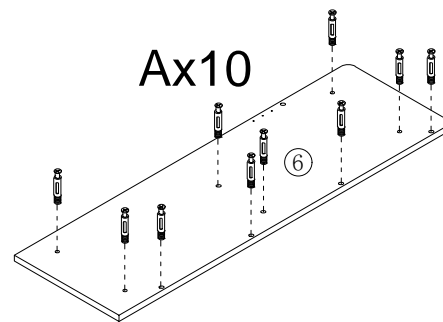
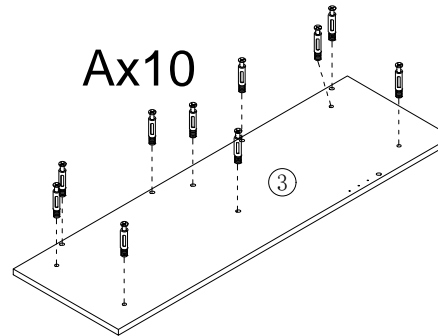
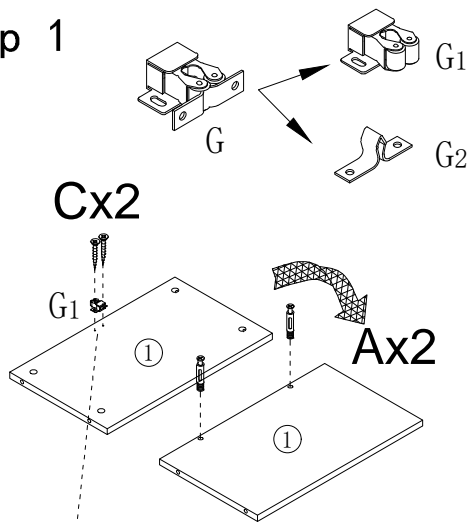
For specific installation instructions, please refer to the physical assembly manual.

# ASSEMBLY INSTRUCTION

<p>① 1PC</p> 	<p>② 1PC</p> 	<p>③ 1PC</p> 	<p>④ 1PC</p> 	
<p>⑤ 1PC</p> 	<p>⑥ 1PC</p> 	<p>⑦ 1PC</p> 	<p>⑧ 1PC</p> 	
<p>A 22PCS</p>  <p>M6*40</p>	<p>B 22PCS</p>  <p>Ø15*9.5</p>	<p>C 20PCS</p>  <p>Ø3.5*14</p>	<p>D 4PCS</p> 	
<p>E 8PCS</p>  <p>M4*12</p>	<p>F 4PCS</p>  <p>M6*12</p>	<p>G 1PC</p> 	<p>H 1PC</p>  <p>Ø35</p>	
<p>I 1PC</p>  <p>58*11*15</p>	<p>J 2PCS</p>  <p>200*35*25</p>	<p>K 2PCS</p>  <p>M6</p>	<p>L 1PC</p> 	
<p>M 22PCS</p> 	<p>N 1set</p>  <p>Ø3.5*30 Ø6*30 Ø3.5*14</p>	<p>O 2PCS</p>  <p>99*16*2.7</p>	<p>P 2PCS</p>  <p>99*16*13</p>	

# ASSEMBLY INSTRUCTION

## Step 1



A 22PCS



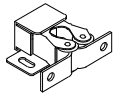
M6\*40

C 2PCS

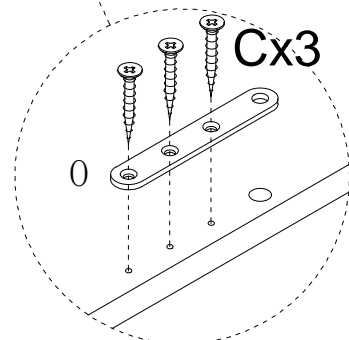
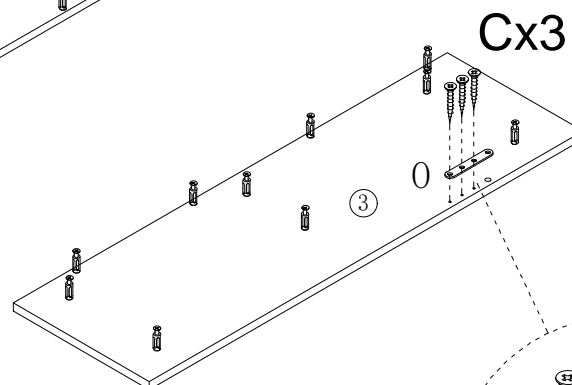
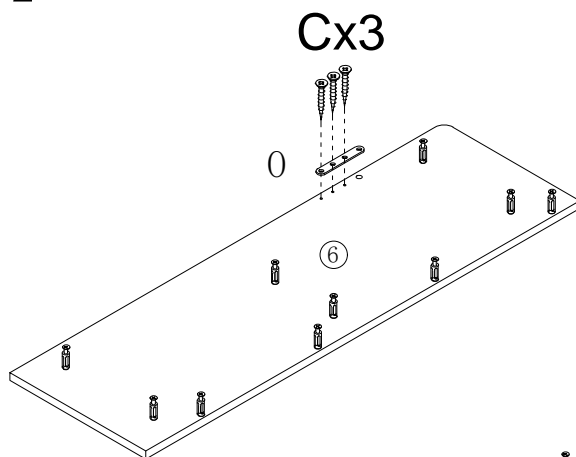


Ø3.5\*14

G 8PCS



## Step 2



C 6PCS



Ø3.5\*14



O 2PCS

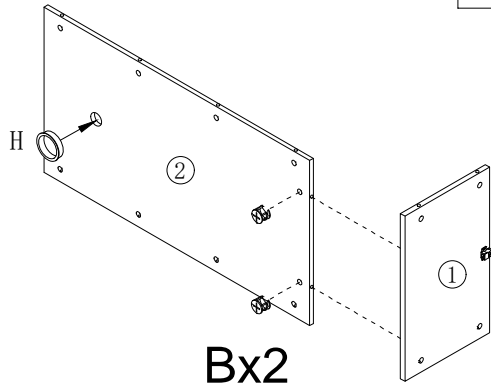


99\*16\*2.7

# ASSEMBLY INSTRUCTION


## Step 3

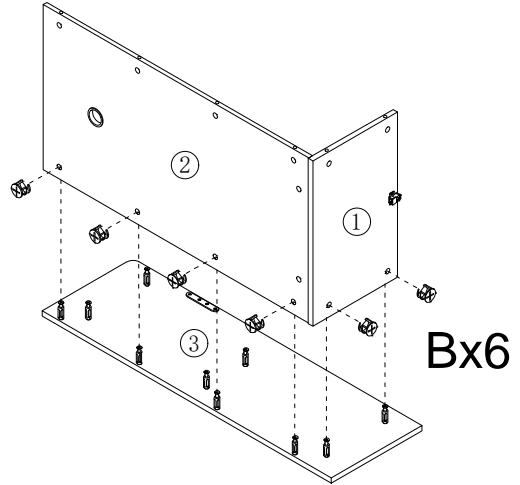
B	2PCS
	
	Ø15*9.5
H	1PC
	
	Ø35



Bx2


## Step 4

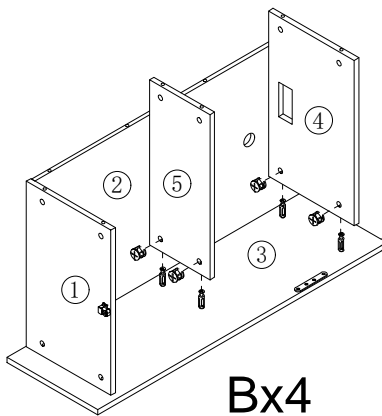
B	6PCS
	
	Ø15*9.5



Bx6





## Step 5

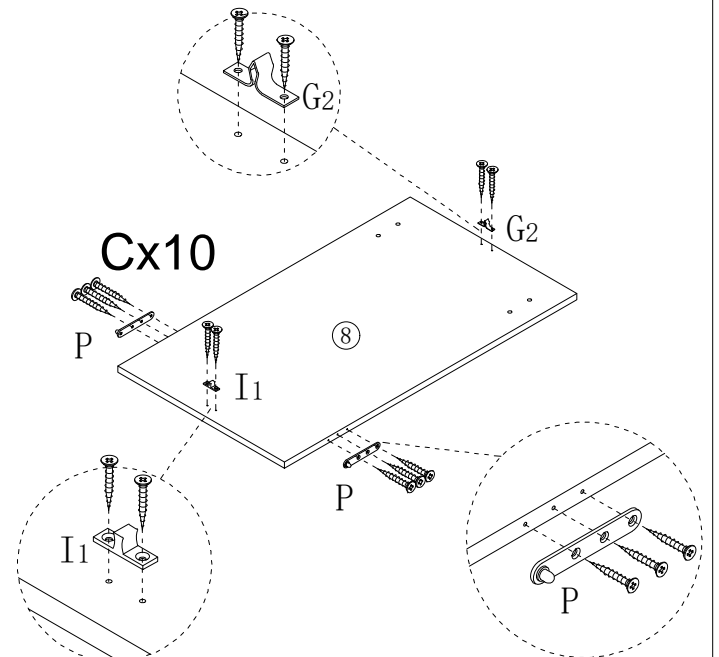
B	4PCS
	
	Ø15*9.5



Bx4

## Step 6

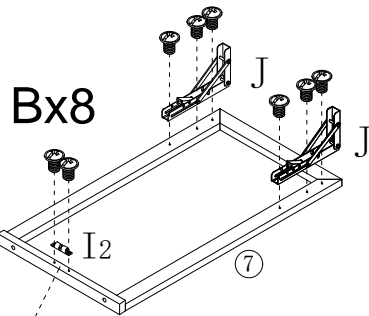
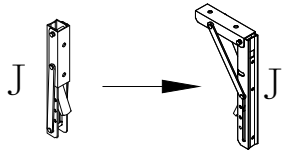
C	10PCS	G2	1PC
			
	Ø3.5*14		
P	2PCS	I	1PC
			
	99*16*13		



Cx10

# ASSEMBLY INSTRUCTION

## Step 7



E 8PCS



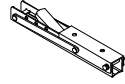
M4\*12

I2 1PC



58\*11\*15

J 1PC



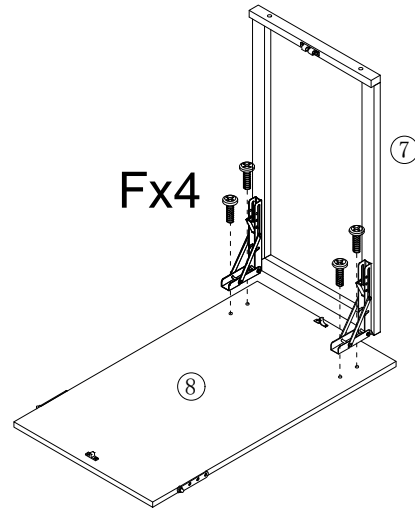
200\*35\*25

## Step 8

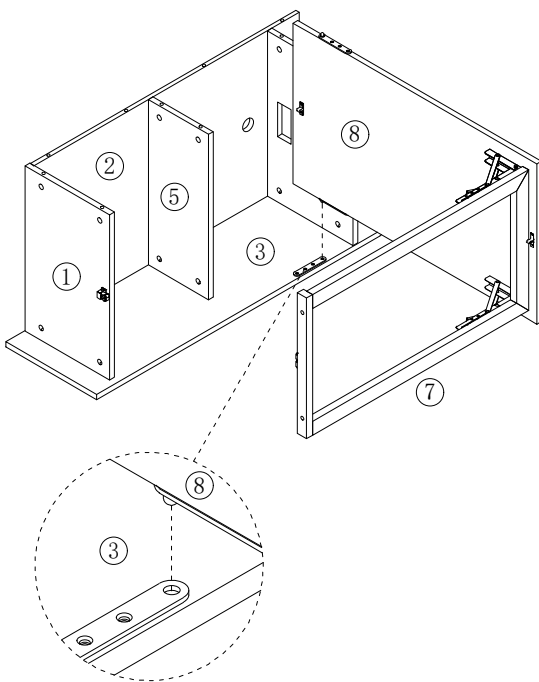
F 4PCS



M6\*12



## Step 9

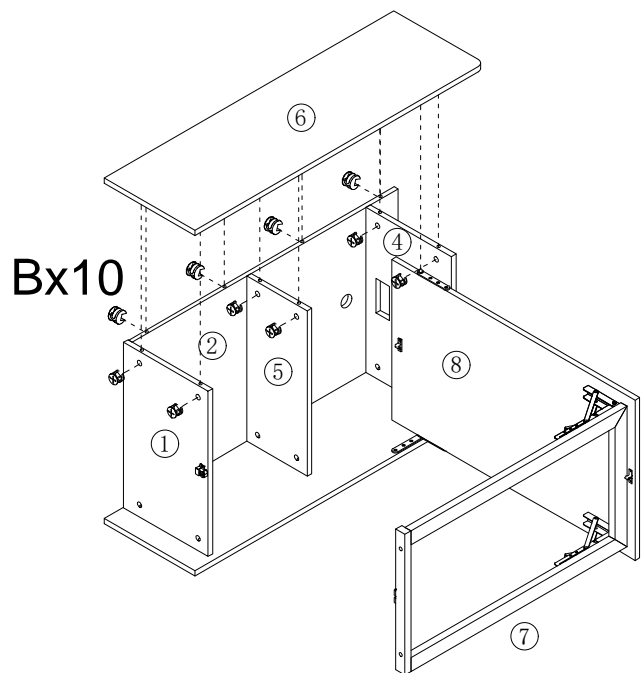


## Step 10

B 6PCS





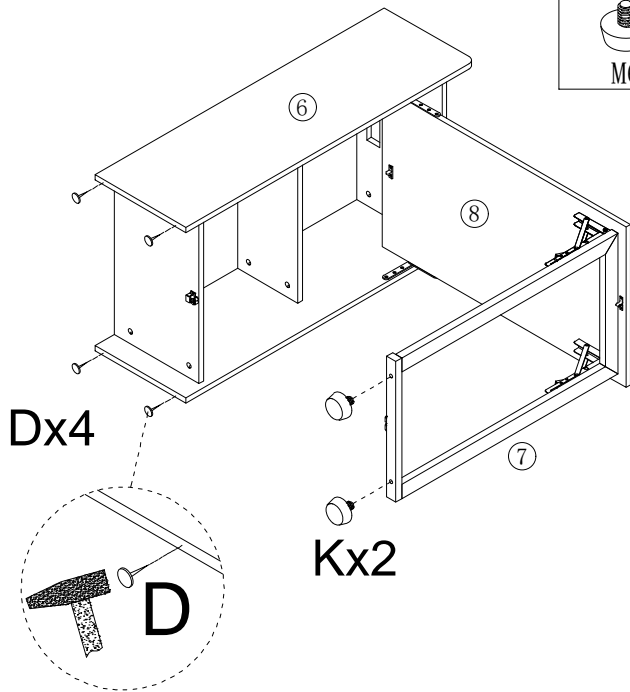
Ø15\*9.5





# ASSEMBLY INSTRUCTION

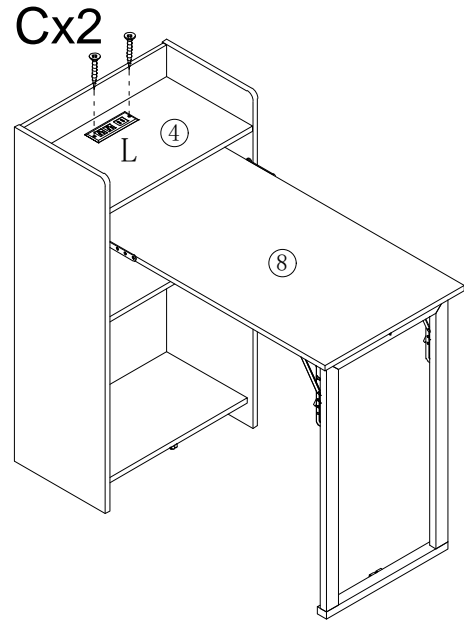
## Step 11

- D 4PCS  

- K 2PCS  
M6  


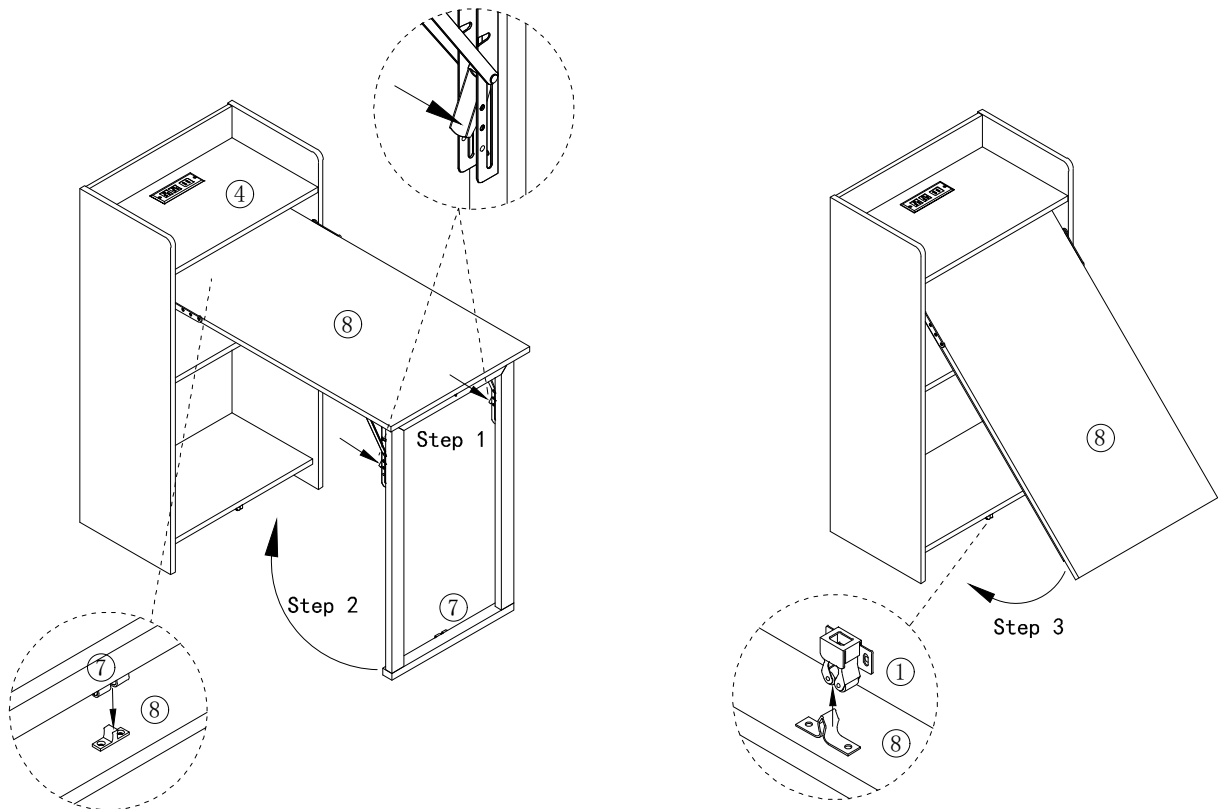


## Step 12

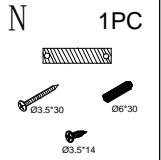
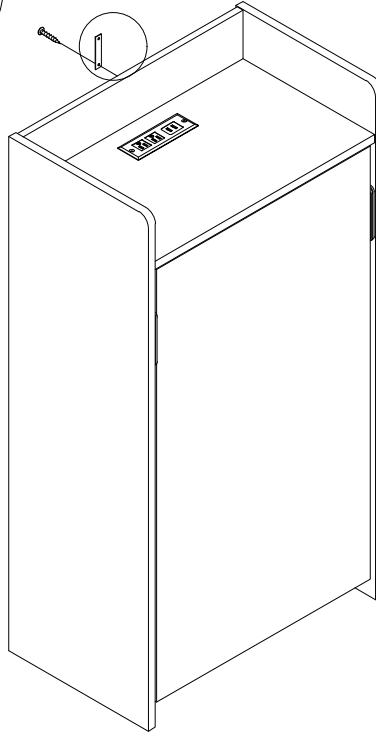
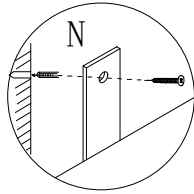
- C 10PCS  
  
Ø3.5\*14
- L 1PC  




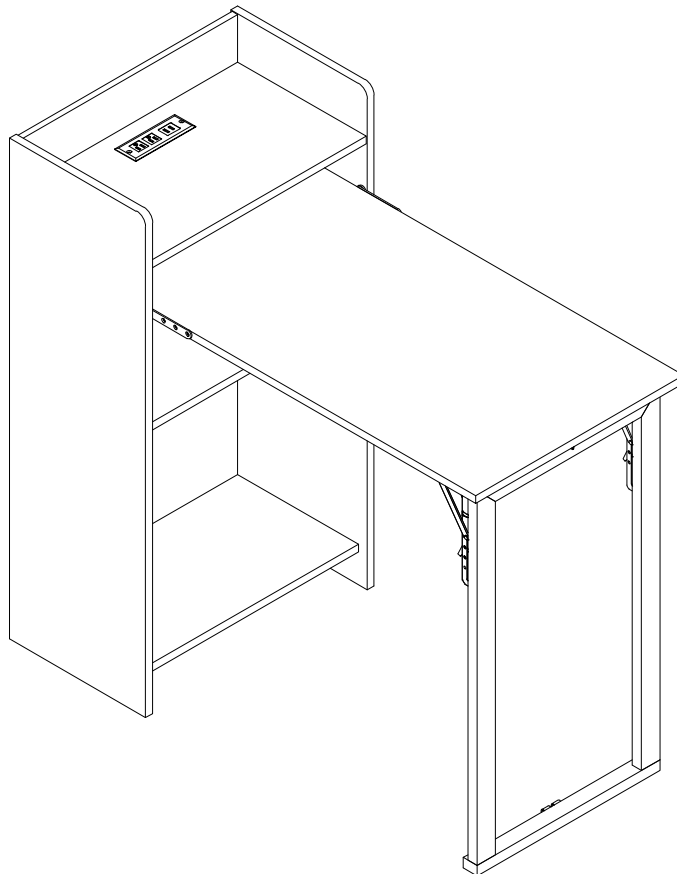
## Step 13



## Step 14



## Step 15



OK