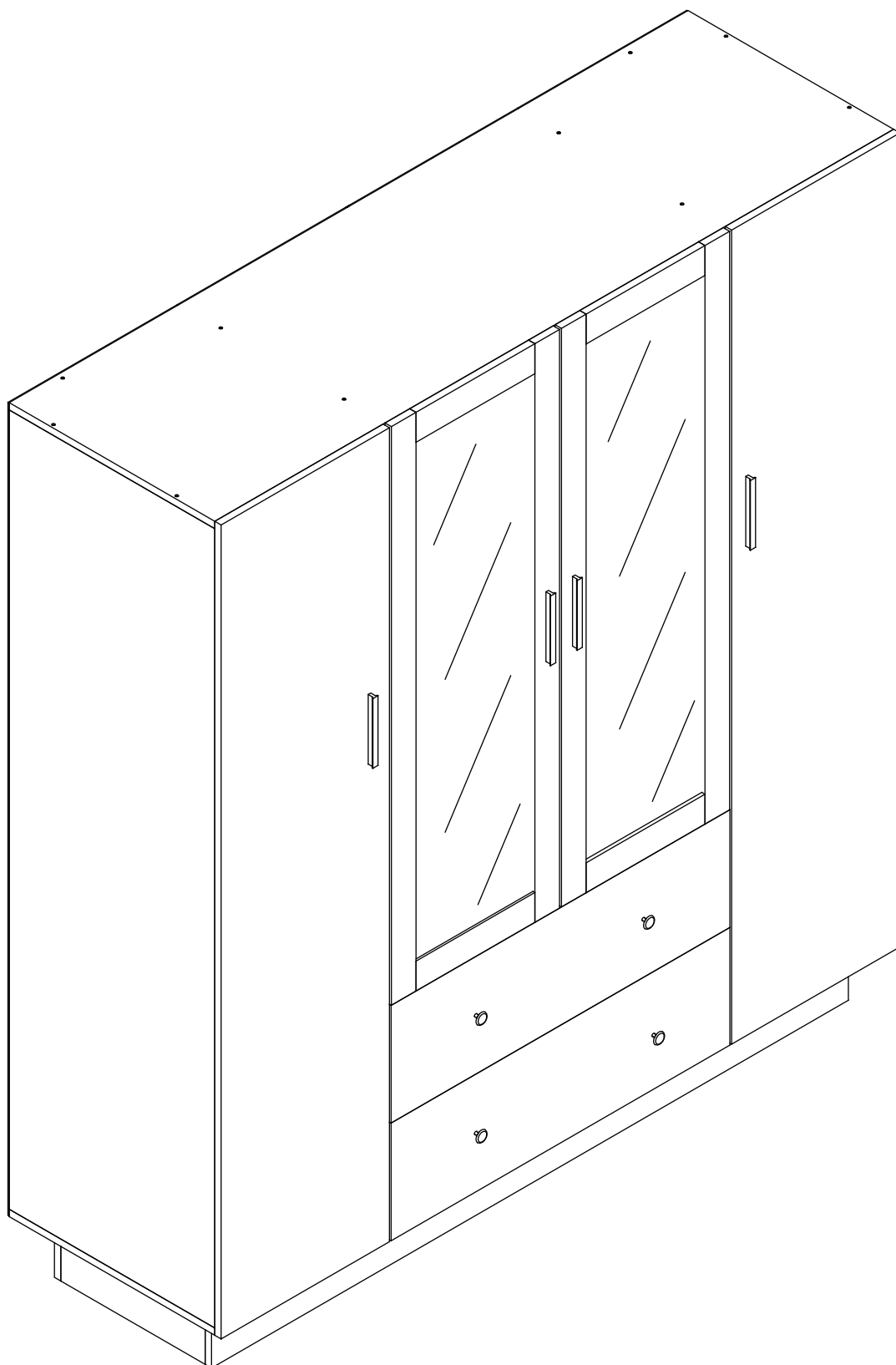
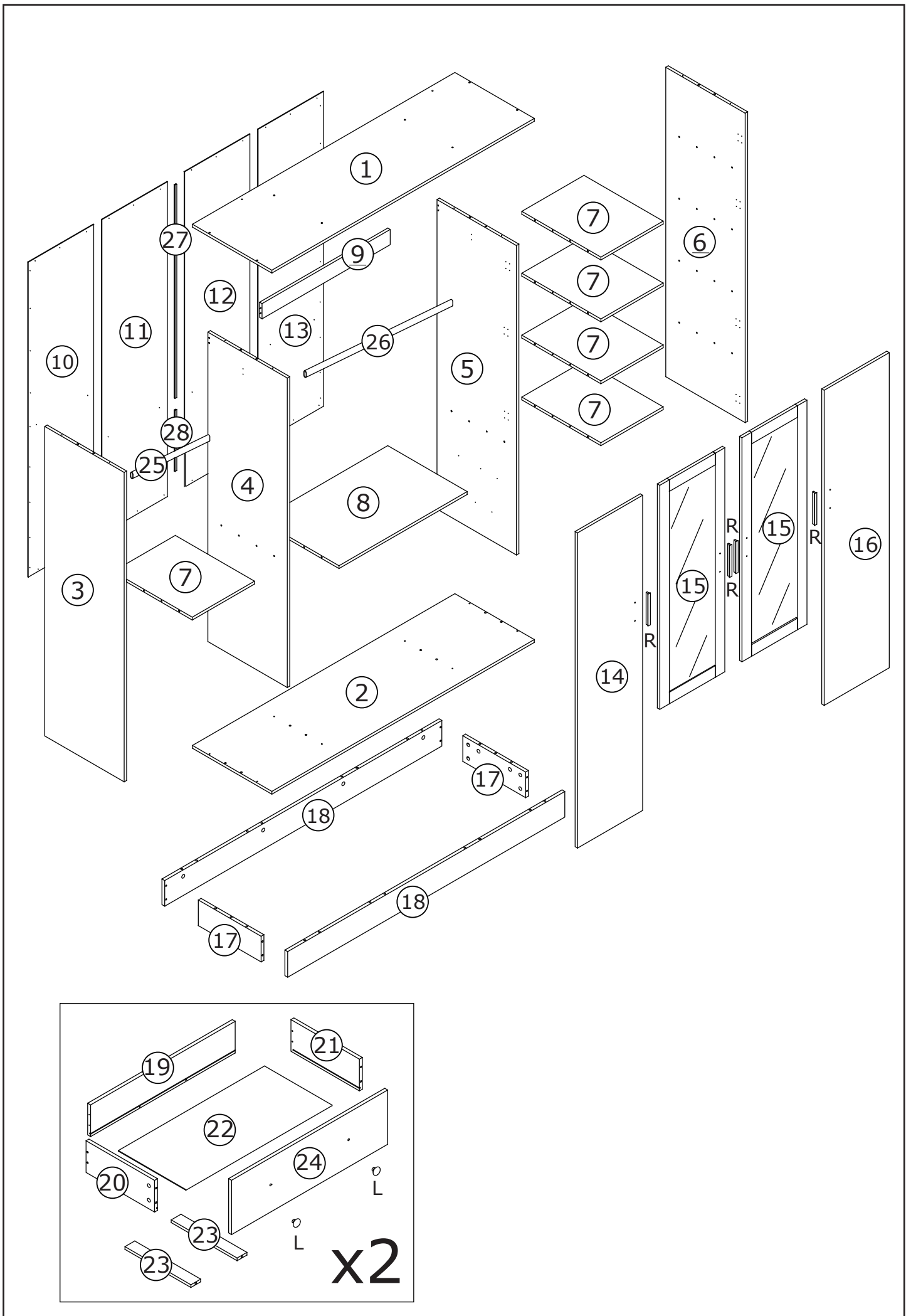
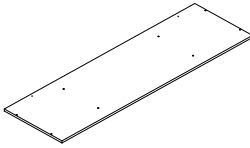
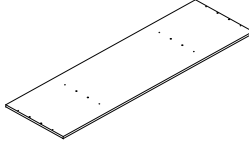
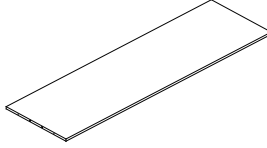
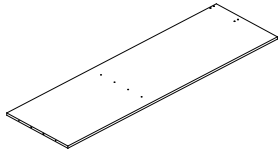
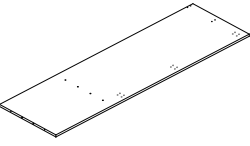
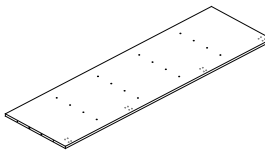
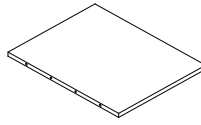
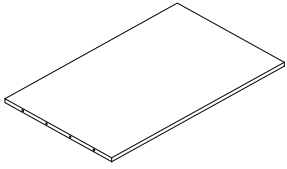
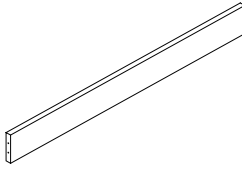
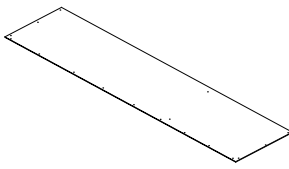
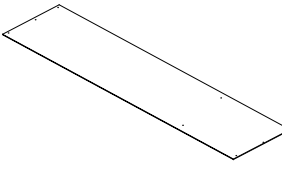
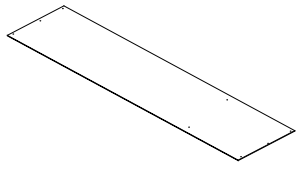
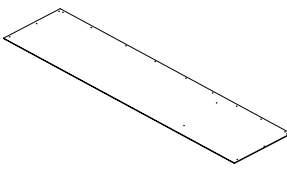
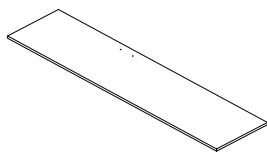
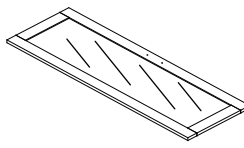
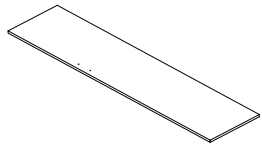
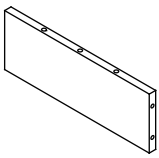
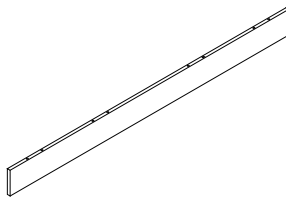
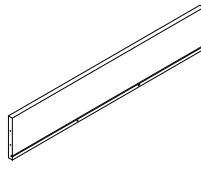
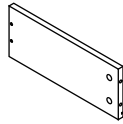
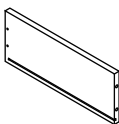
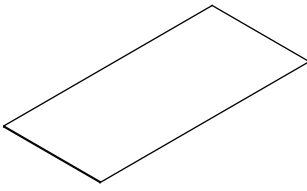
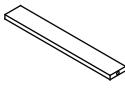
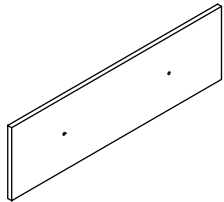
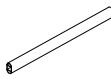
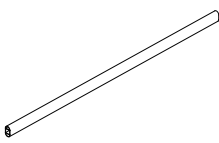




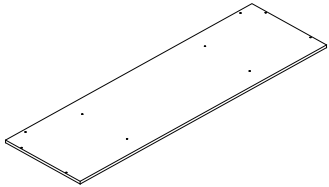
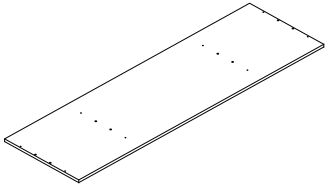
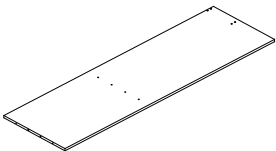
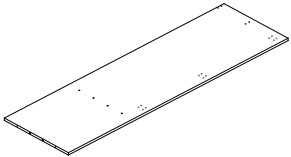
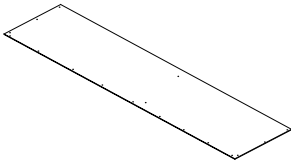
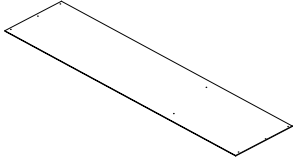
Our products are divided into two packages, box A and box B. If you only receive one package, please wait patiently. This is a list of parts for each box of products. If you have any questions, please contact us in time.

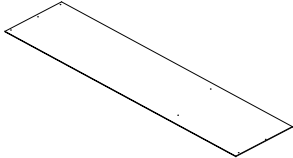
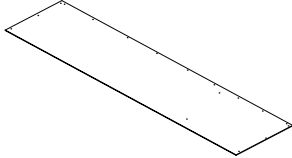
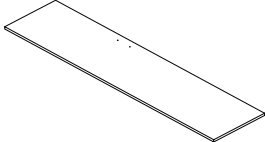
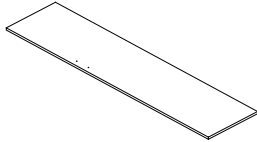
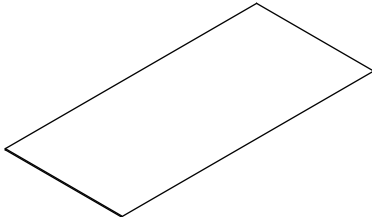






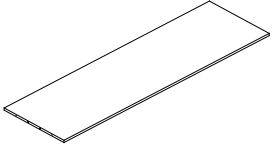

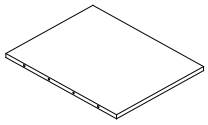
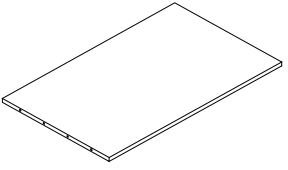
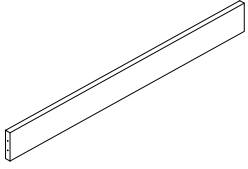
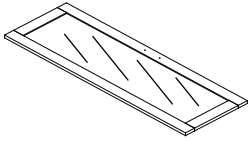
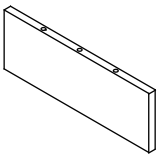
Parts and Operation Elements

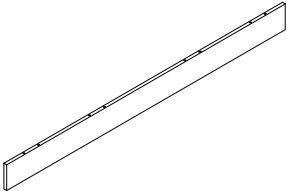
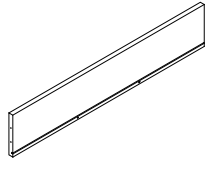
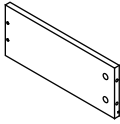
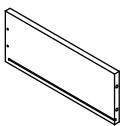
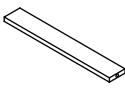
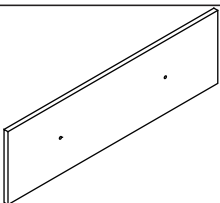
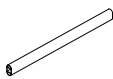
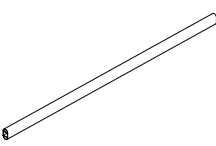
			
① 1pc	② 1pc	③ 1pc	④ 1pc
			
⑤ 1pc	⑥ 1pc	⑦ 5pcs	⑧ 1pc
			
⑨ 1pc	⑩ 1pc	⑪ 1pc	⑫ 1pc
			
⑬ 1pc	⑭ 1pc	⑮ 2pcs	⑯ 1pc
			
⑰ 2pcs	⑱ 2pcs	⑲ 2pcs	⑳ 2pcs
			
㉑ 2pcs	㉒ 2pcs	㉓ 4pcs	㉔ 2pcs
			
㉕ 1pc	㉖ 1pc	㉗ 1pc	㉘ 1pc

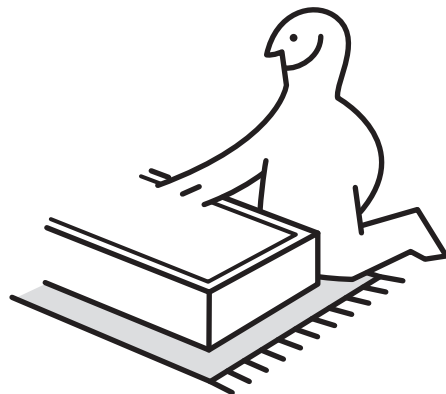
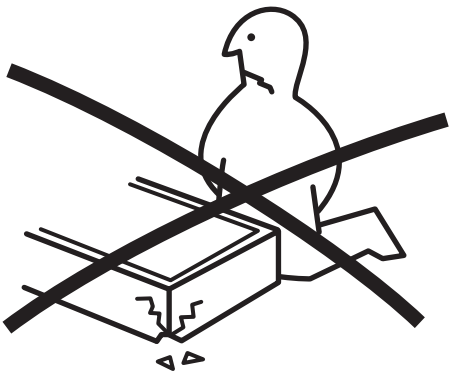
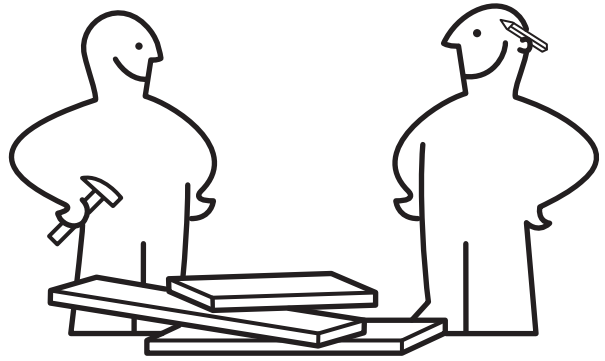
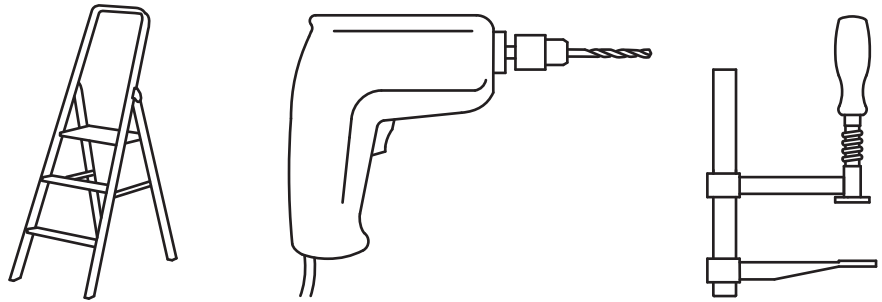
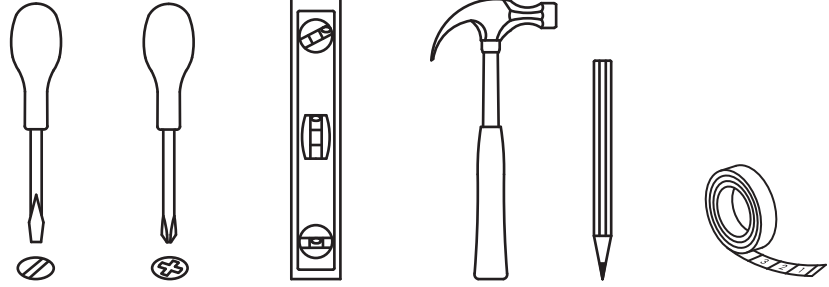
①		x1
②		x1
④		x1
⑤		x1
⑩		x1
⑪		x1

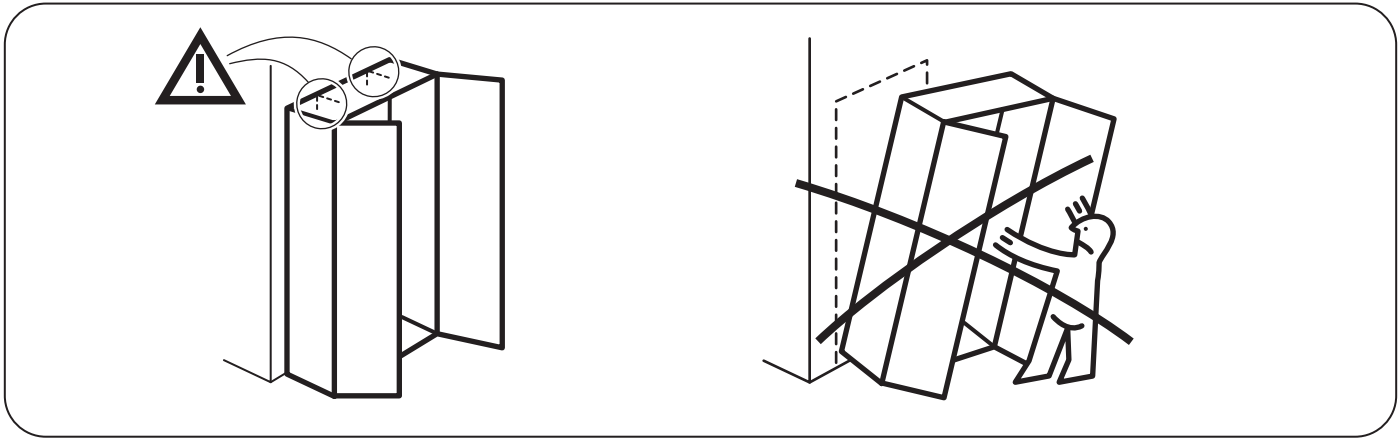
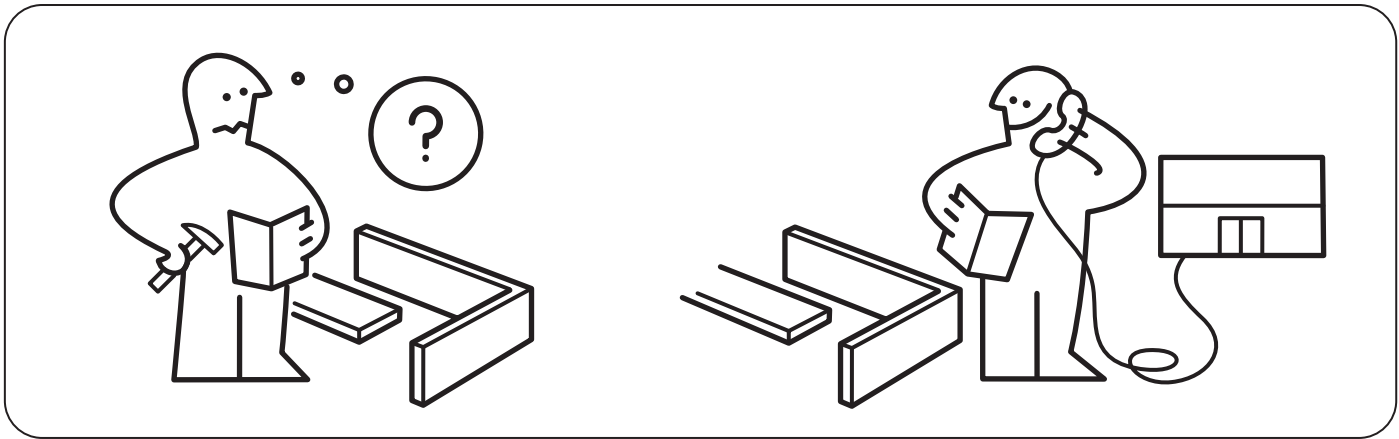
⑫		x1
⑬		x1
⑭		x1
⑯		x1
⑳		x2
㉓		x1
㉔		x1

Our products are divided into two packages, box A and box B. If you only receive one package, please wait patiently. This is a list of parts for each box of products. If you have any questions, please contact us in time.

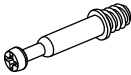





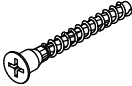


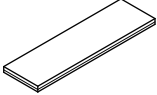

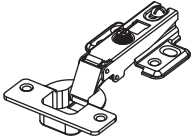
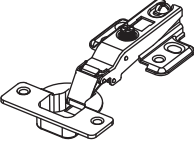
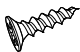

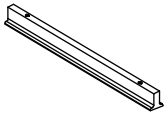



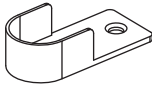
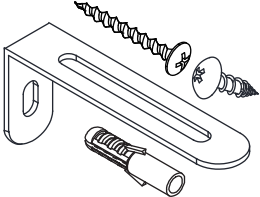

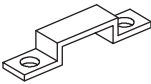
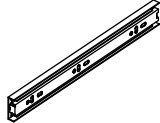
③		x1
⑥		x1
⑦		x5
⑧		x1
⑨		x1
⑮		x2
⑰		x2
Hardware box		x1

⑱		x2
⑲		x2
⑳		x2
㉑		x2
㉓		x4
㉔		x2
㉕		x1
㉖		x1

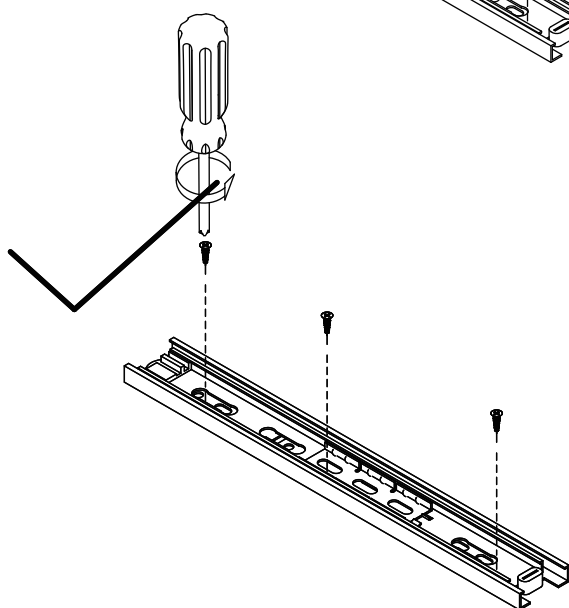
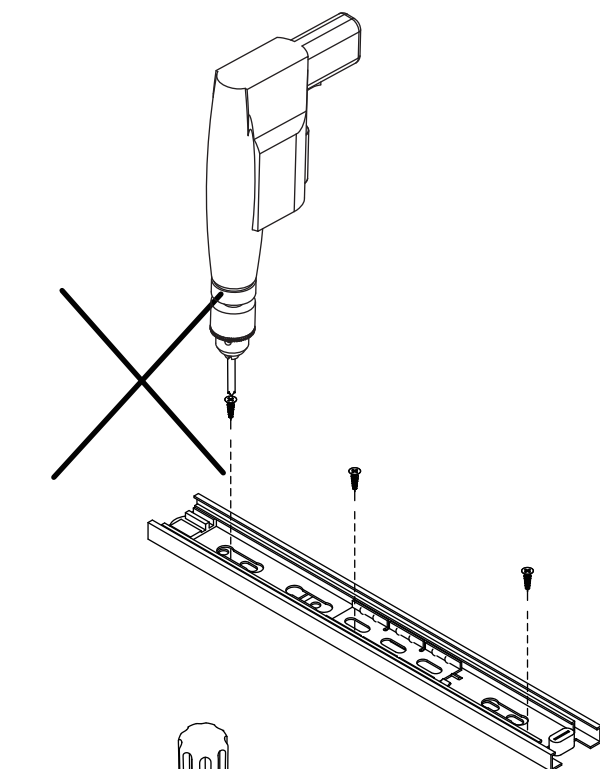
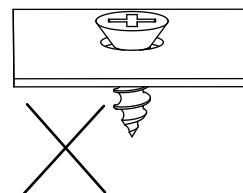
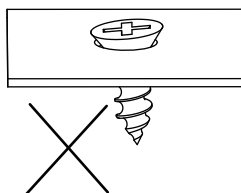
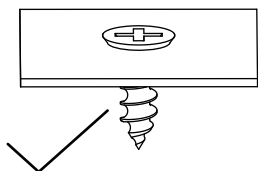




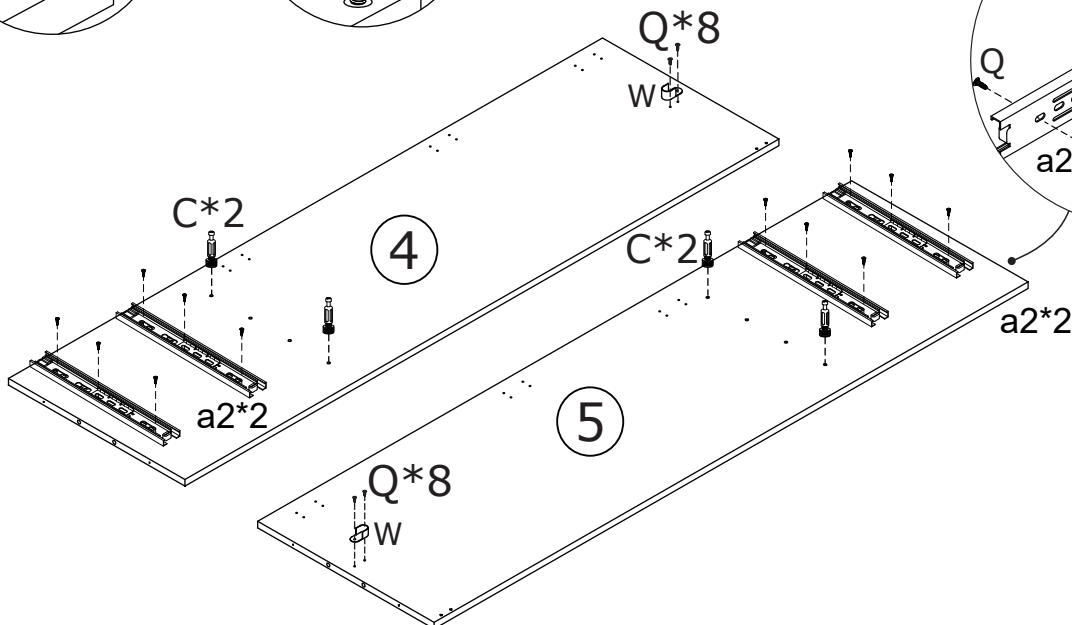
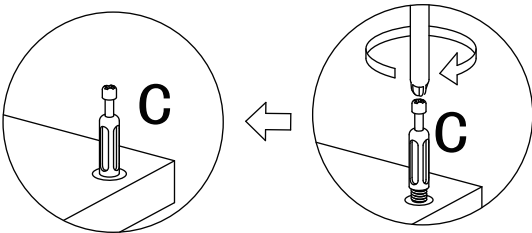
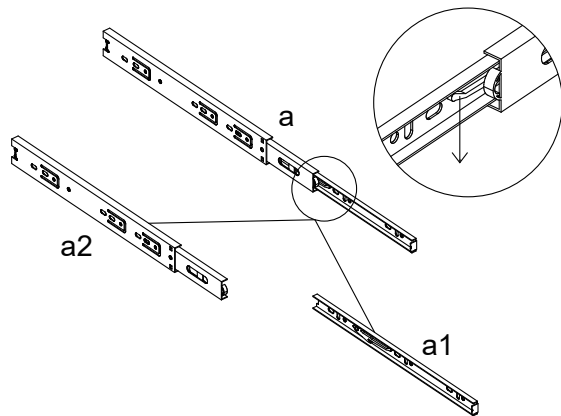
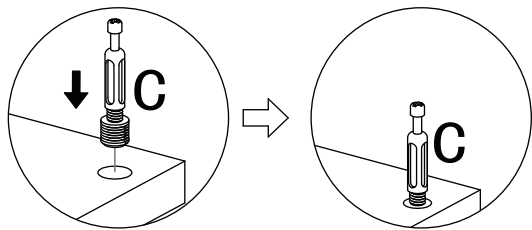
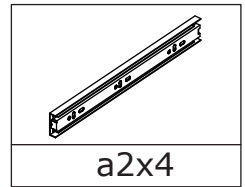
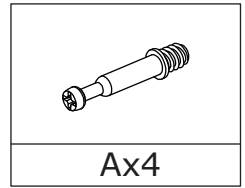
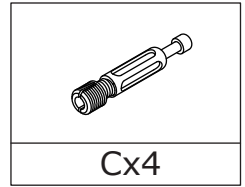
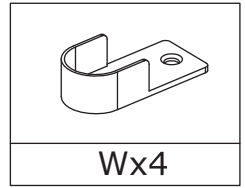
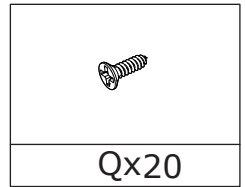
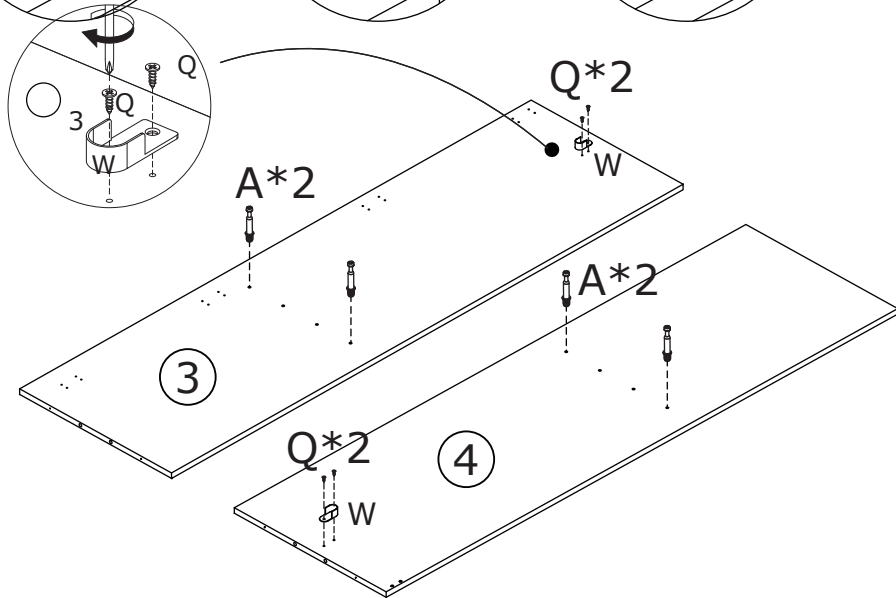
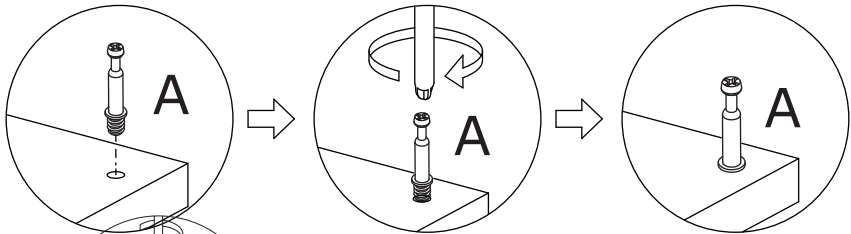
Hardware

			
Cam Bolt	Cam Lock	Cam Bolt	Cam Lock
(A) 32pcs ^{+2pcs}	(B) 32pcs ^{+2pcs}	(C) 24pcs ^{+2pcs}	(D) 24pcs ^{+2pcs}
			
∅6x30mm Dowel	∅8x40mm Dowel	M5x40mm Screw	M4x30mm Screw
(E) 20pcs ^{+2pcs}	(F) 30pcs ^{+2pcs}	(G) 20pcs ^{+2pcs}	(H) 12pcs ^{+2pcs}
			
			Middle bending hinge
(J) 56pcs ^{+2pcs}	(K) 18pcs ^{+2pcs}	(L) 4pcs	(M) 6pc
			
Straight arm hinge	M4x12mm Screw	M3x12mm Screw	
(N) 8pc	(P) 84pcs ^{+2pcs}	(Q) 62pcs ^{+2pcs}	(R) 4pcs
			
M4x20mm Screw		M2.5x16mm Screw	
(T) 12pcs ^{+2pcs}	(U) 10pcs ^{+2pcs}	(V) 60pcs ^{+2pcs}	(W) 4pcs
			
(X) 2pcs	(Y) 1pc	(Z) 15pcs ^{+2pcs}	(a) 4pcs

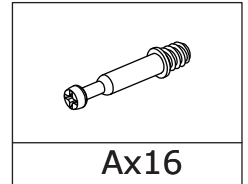
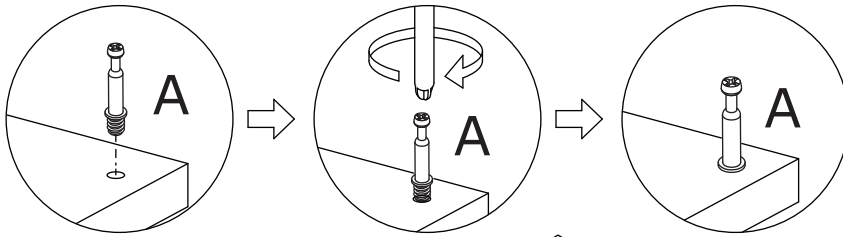
Please kindly note the following points when you assemble the sliders of the drawers



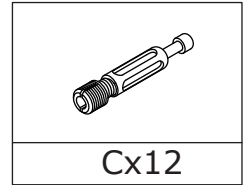
1



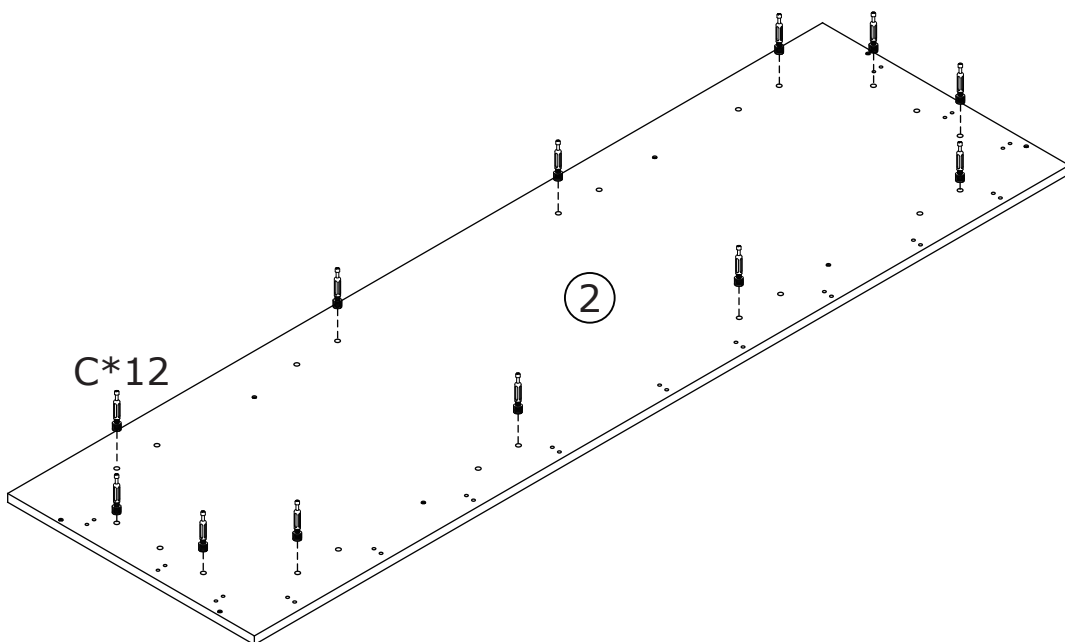
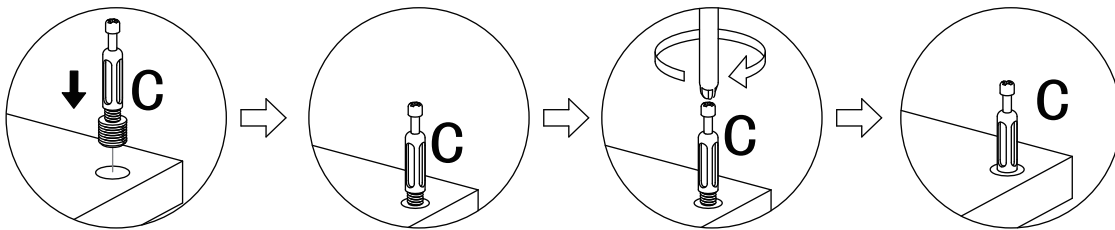
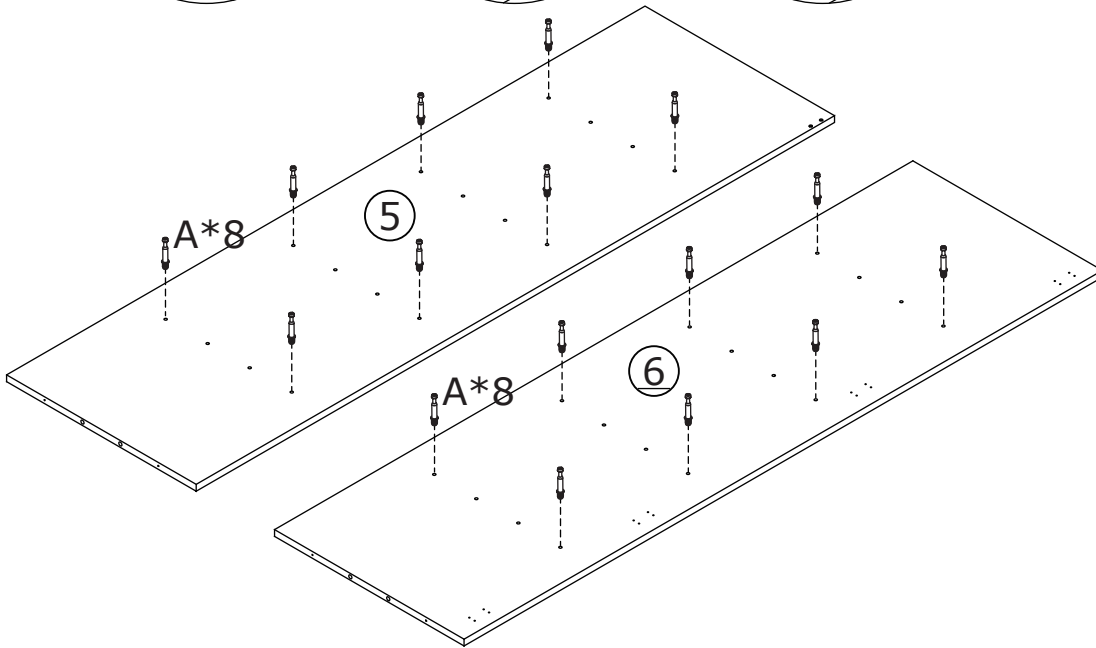
2



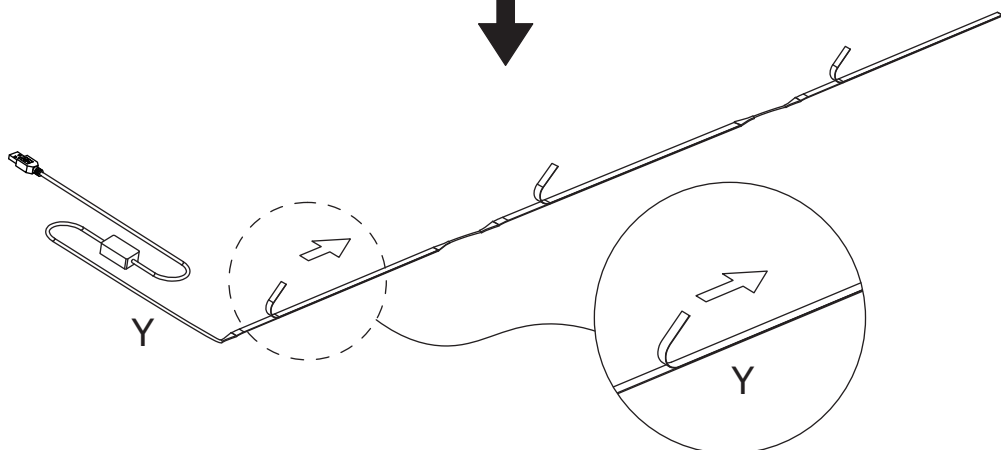
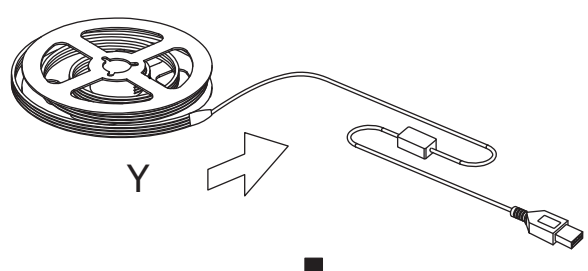
Ax16


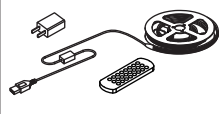
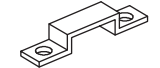


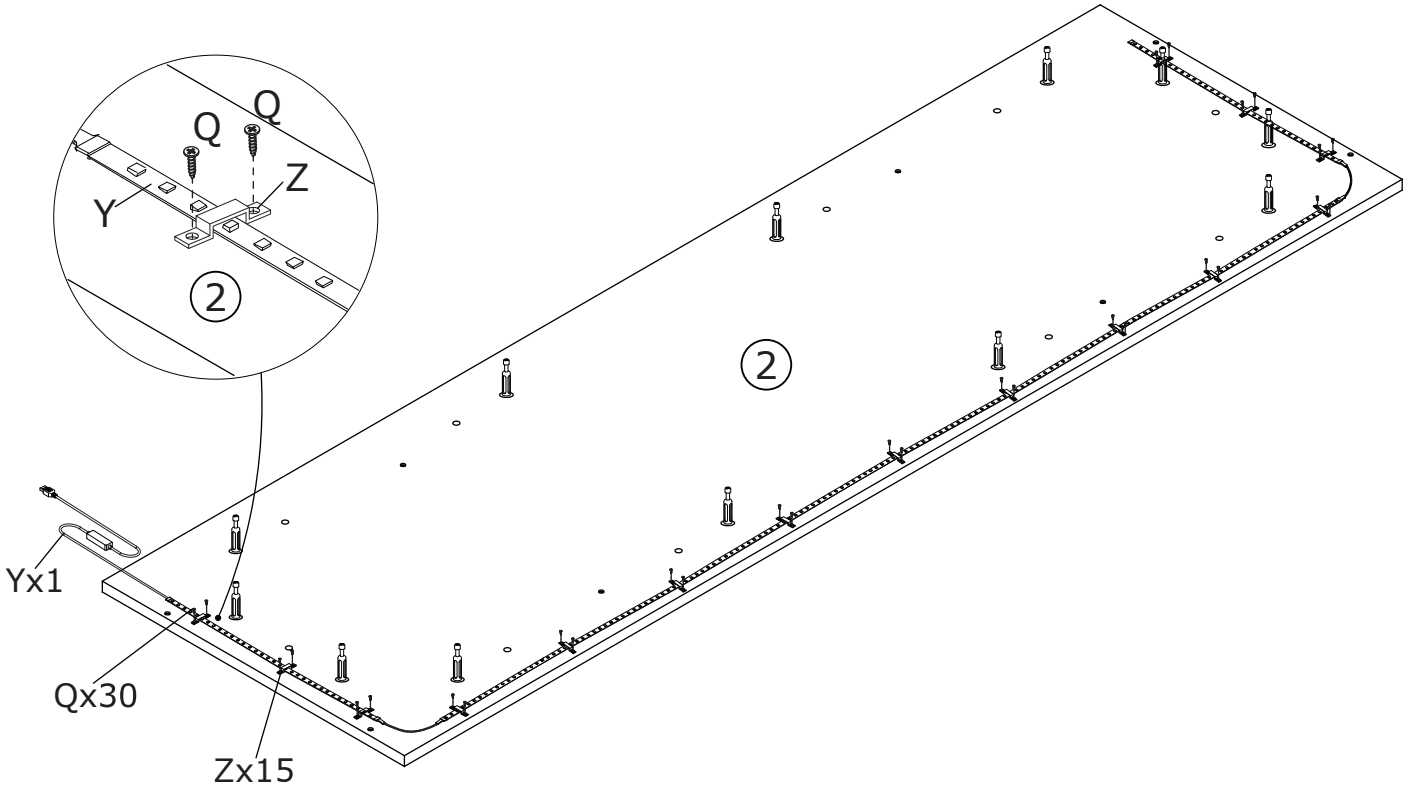
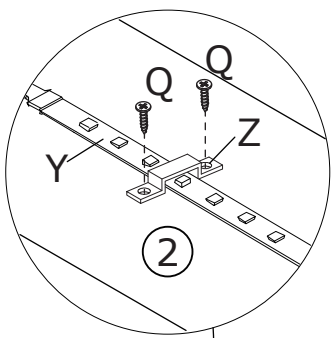
Cx12



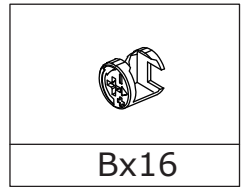
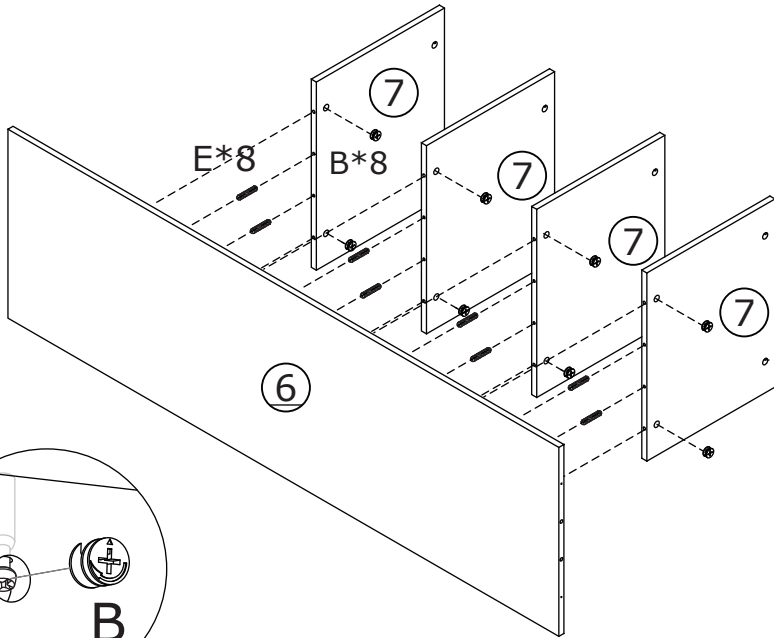
3



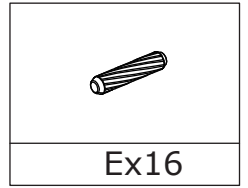
- 
Qx30
- 
Yx1
- 
Zx15



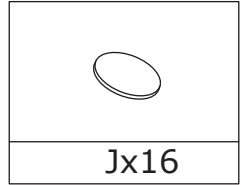
4



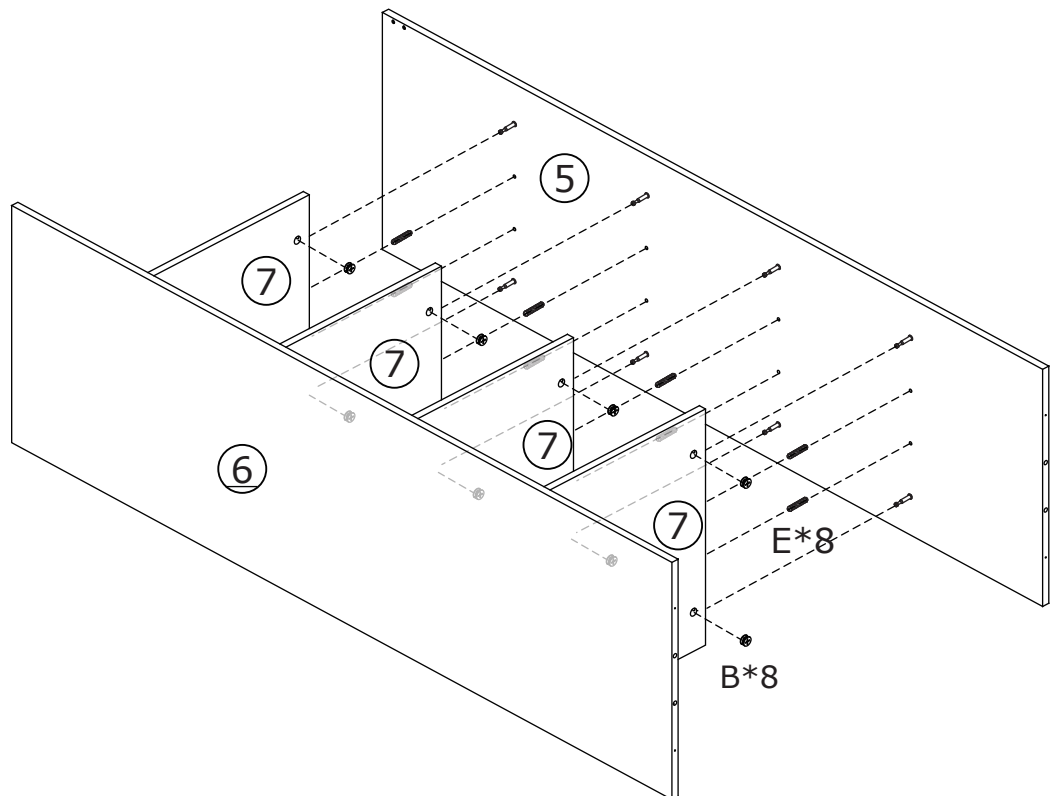
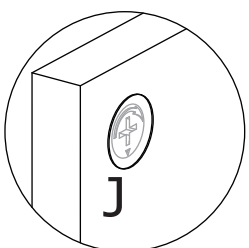
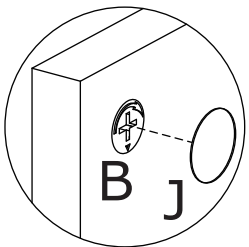
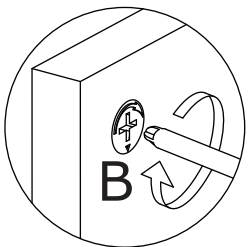
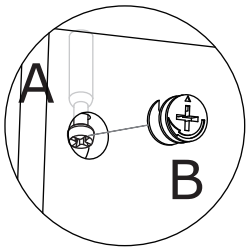
Bx16






Ex16

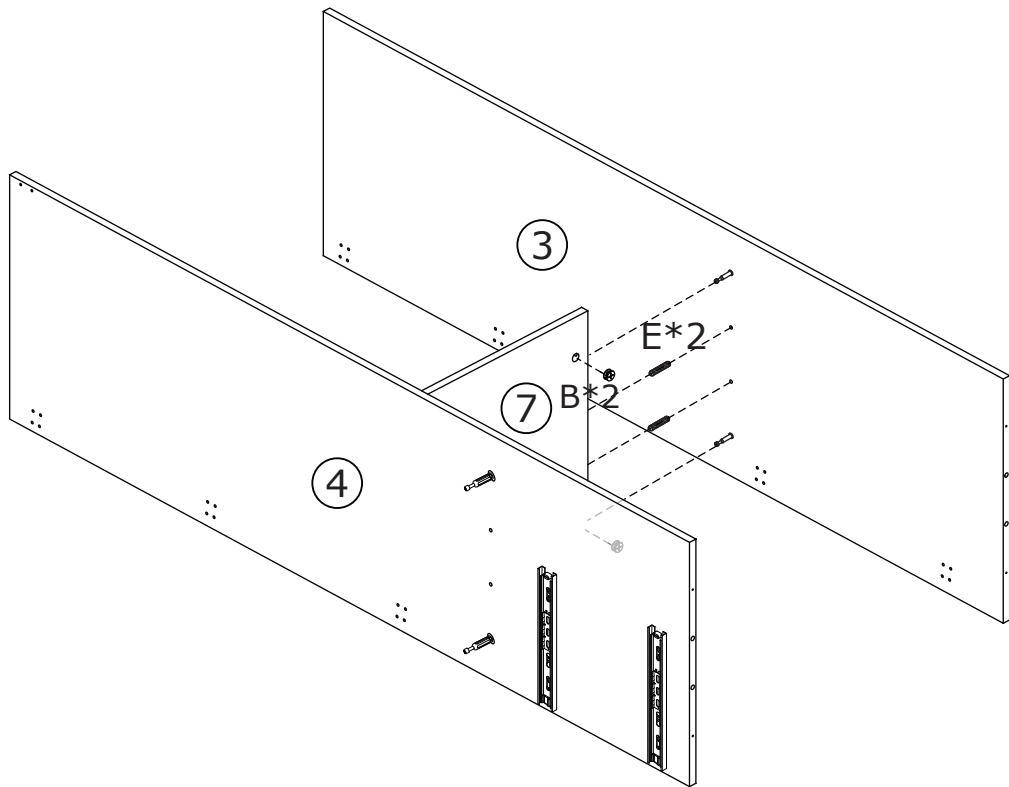
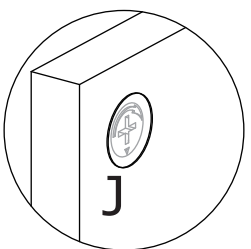
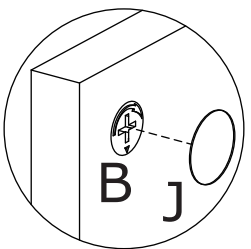
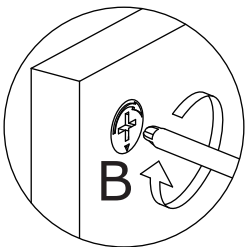
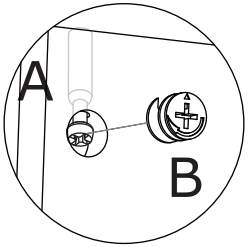
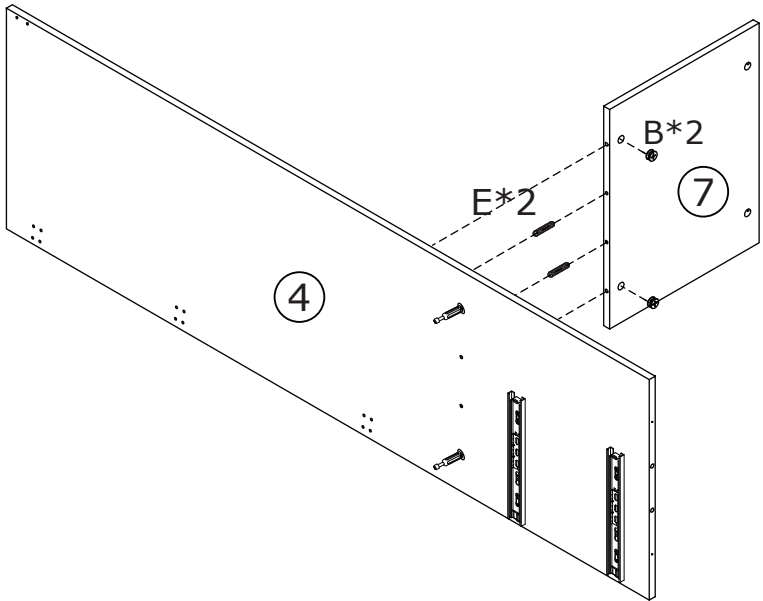


Jx16

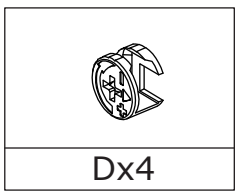
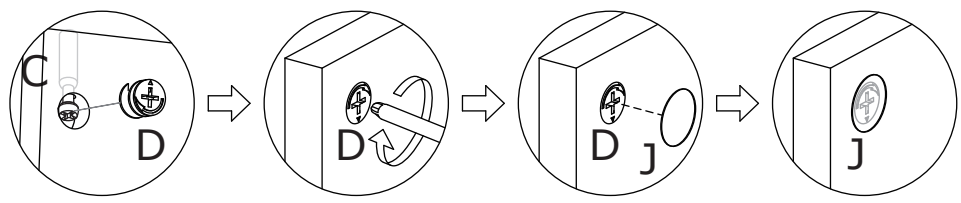


5

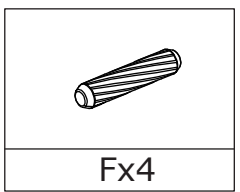

Bx4

Ex4

Jx4



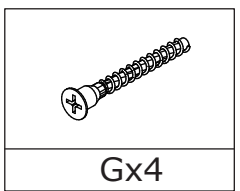
6



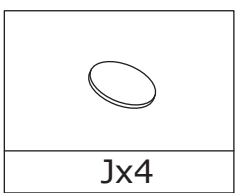
Dx4



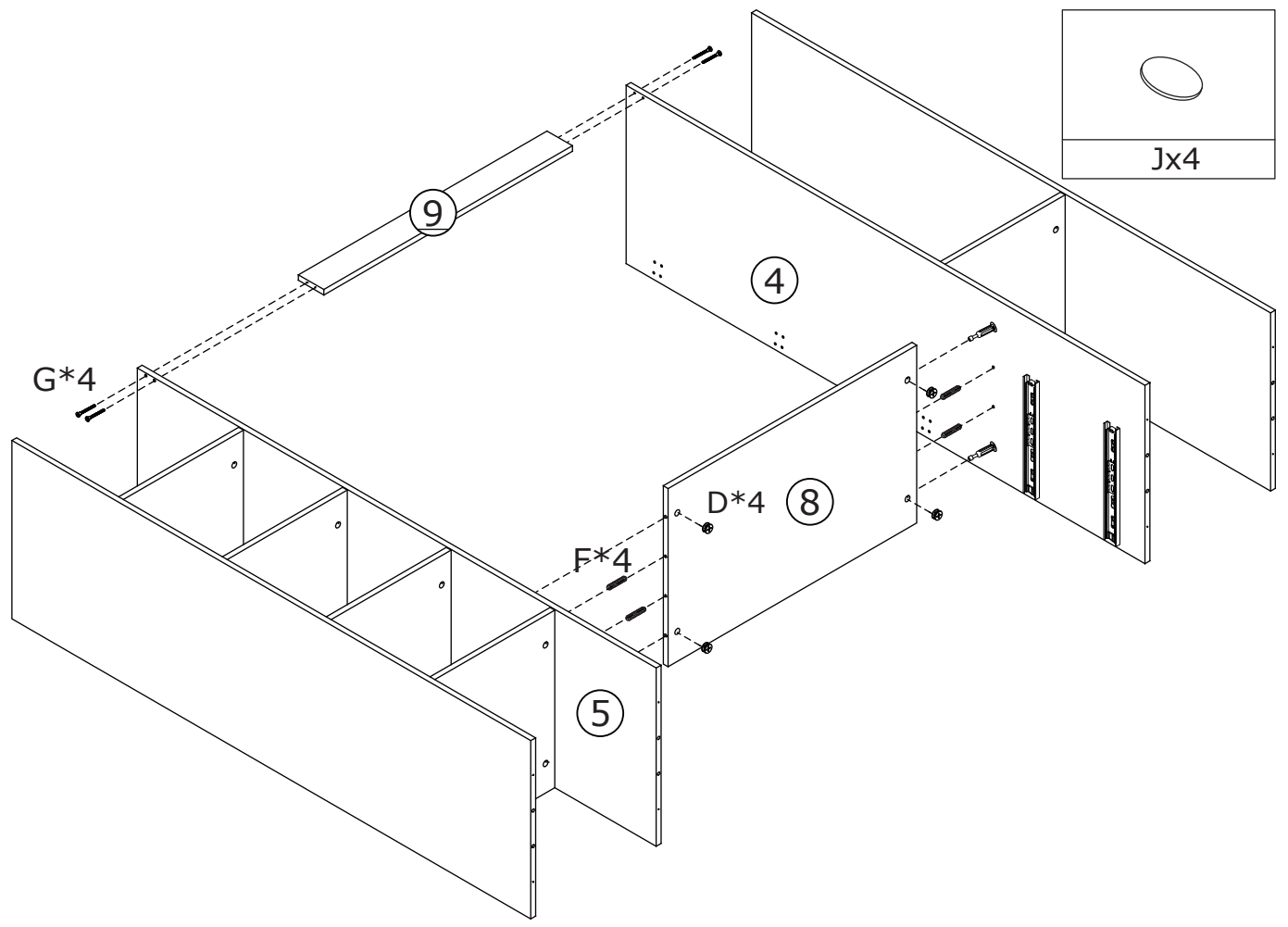
Fx4



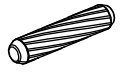
Gx4



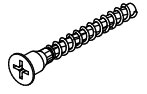
Jx4



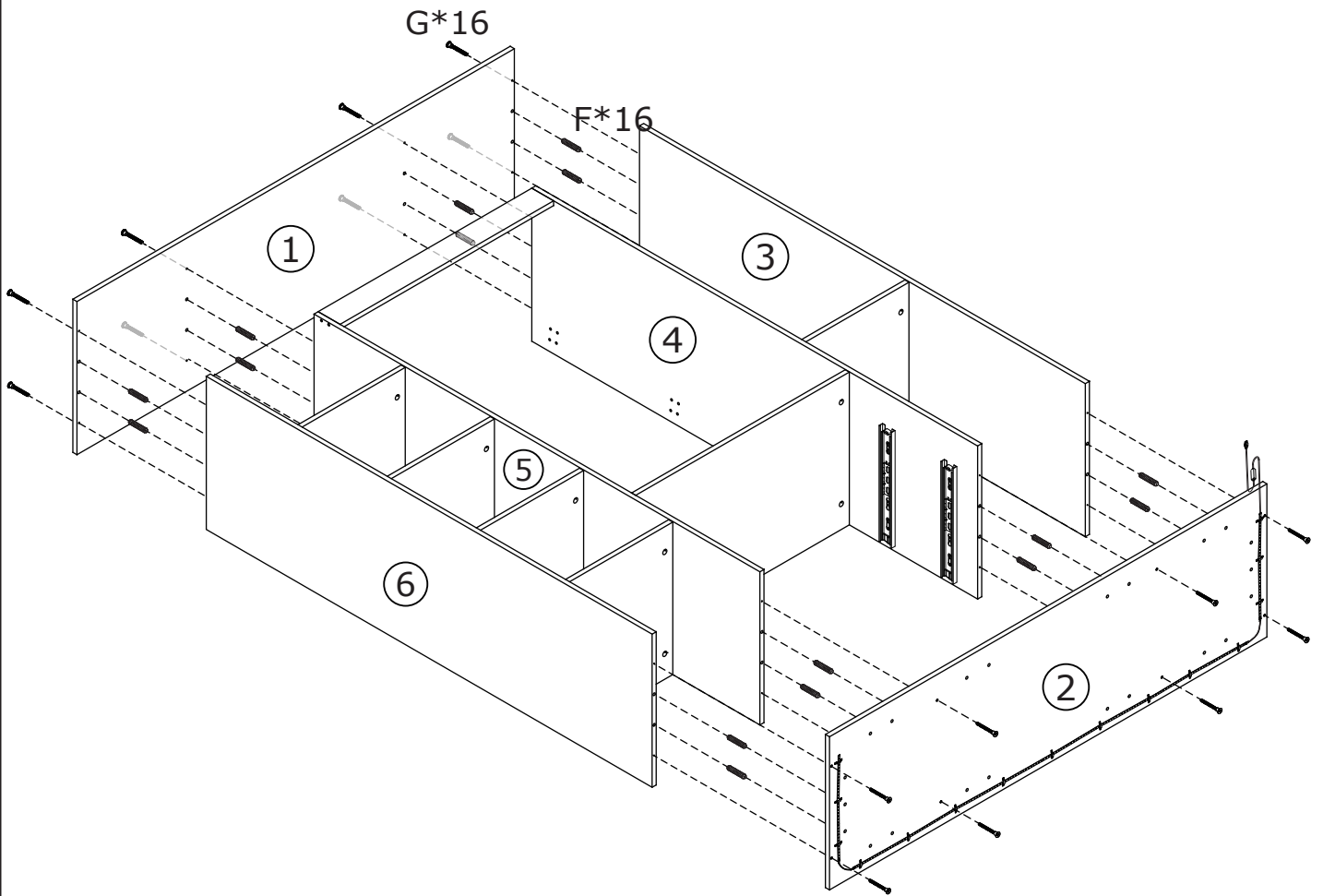
7



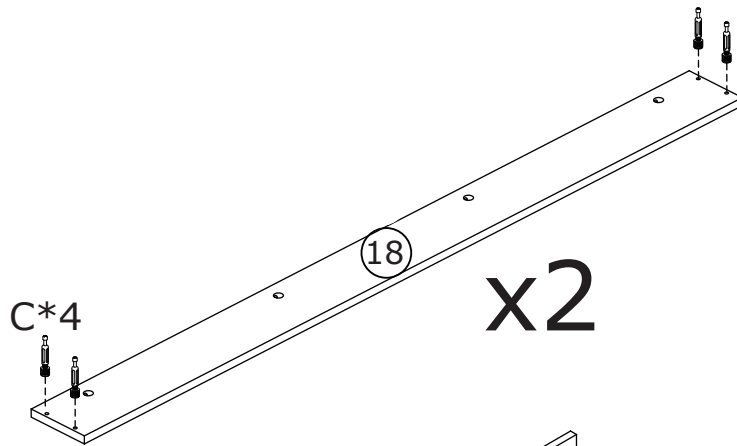
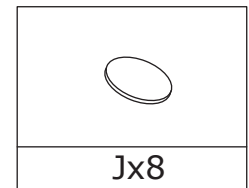
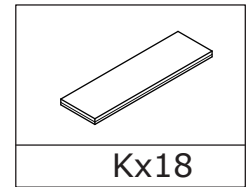
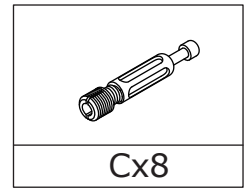
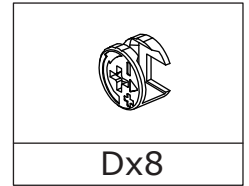
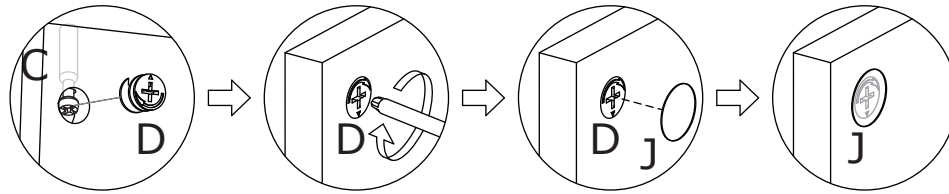
Fx16



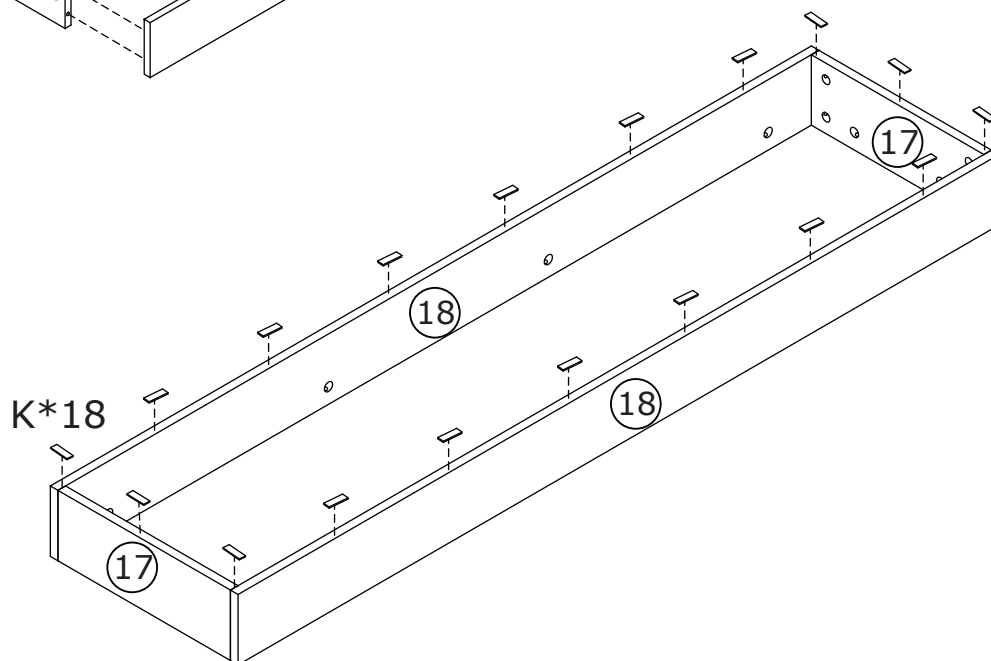
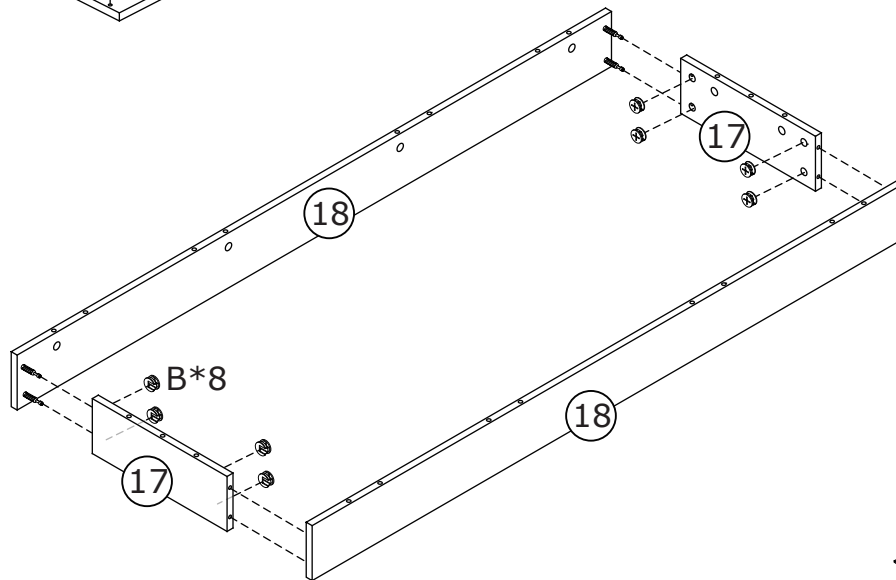
Gx16



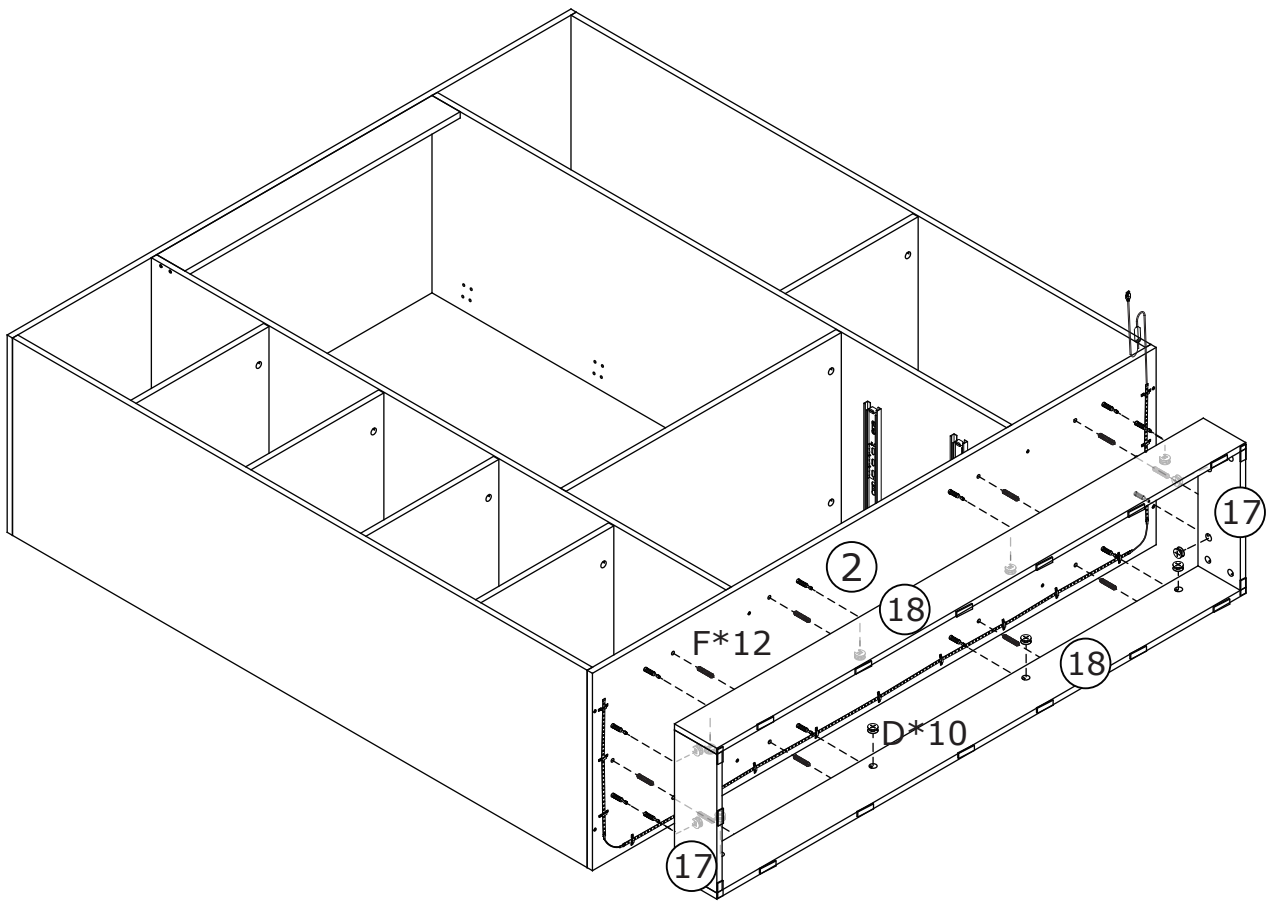
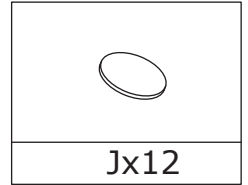
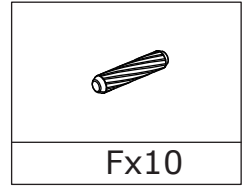
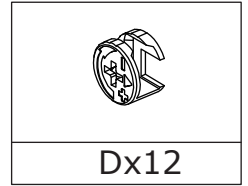
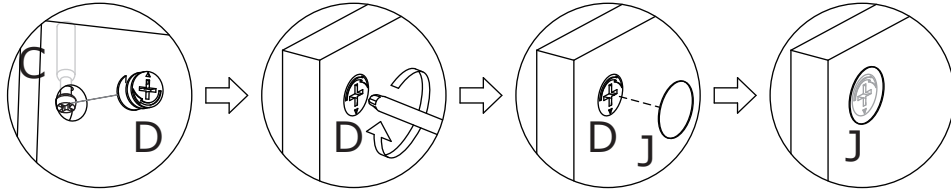
8



x2



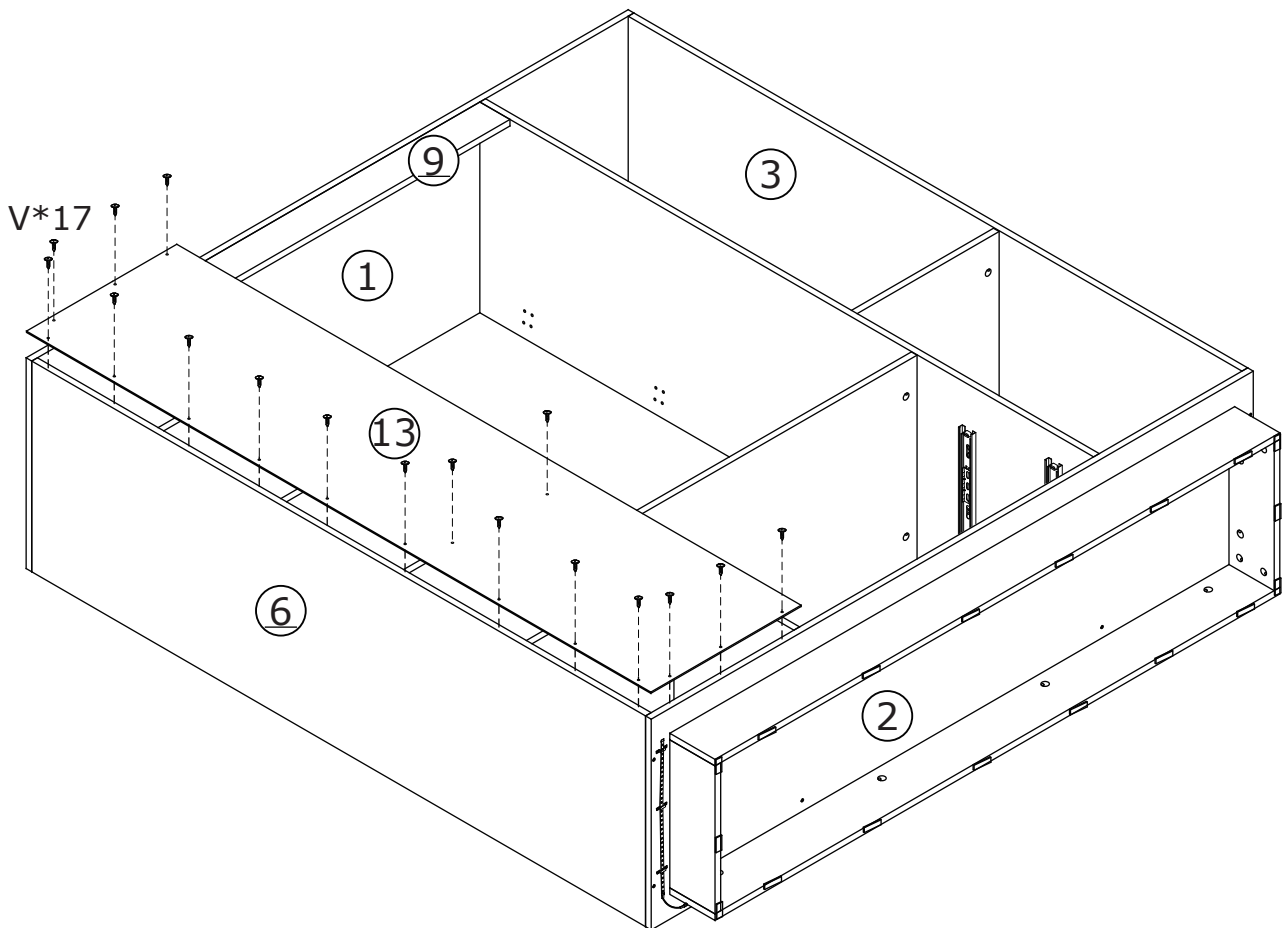
9



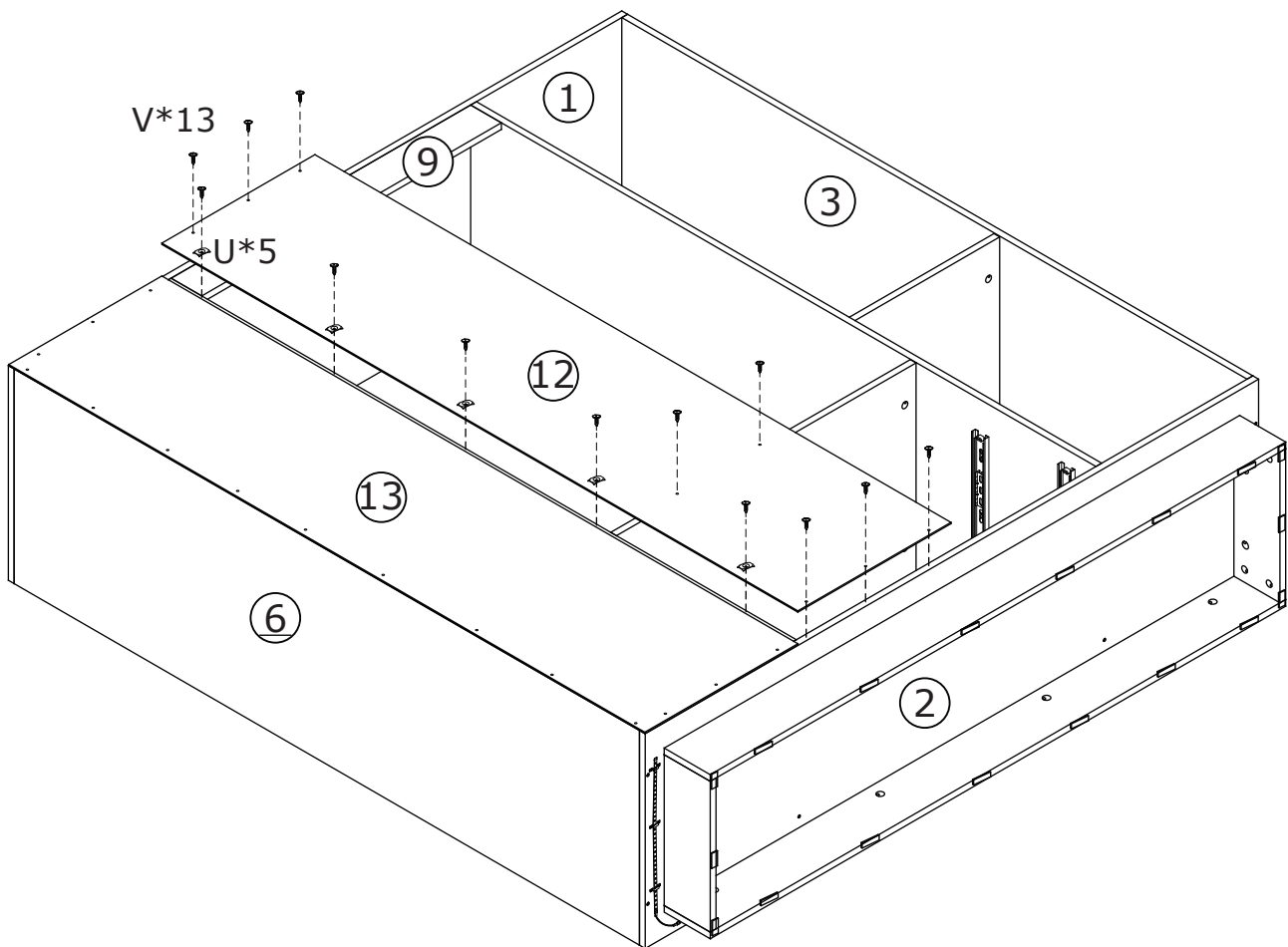
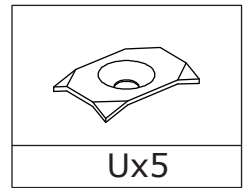
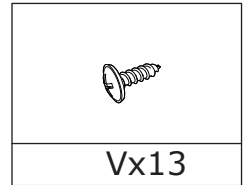
10



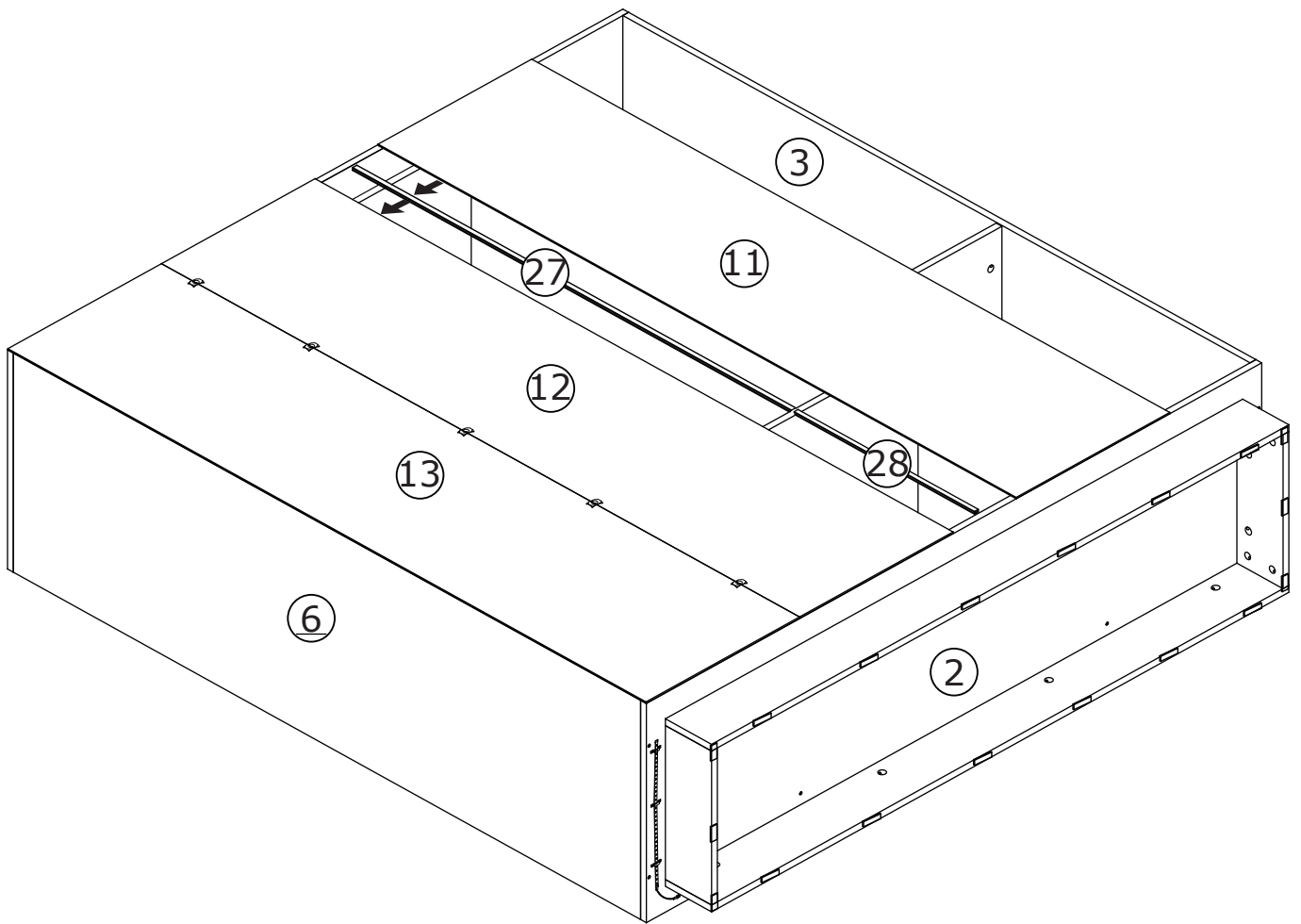
Vx17



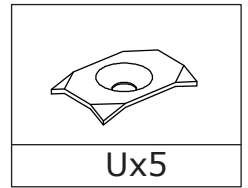
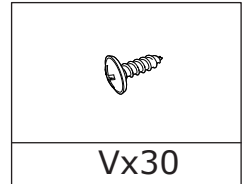
11



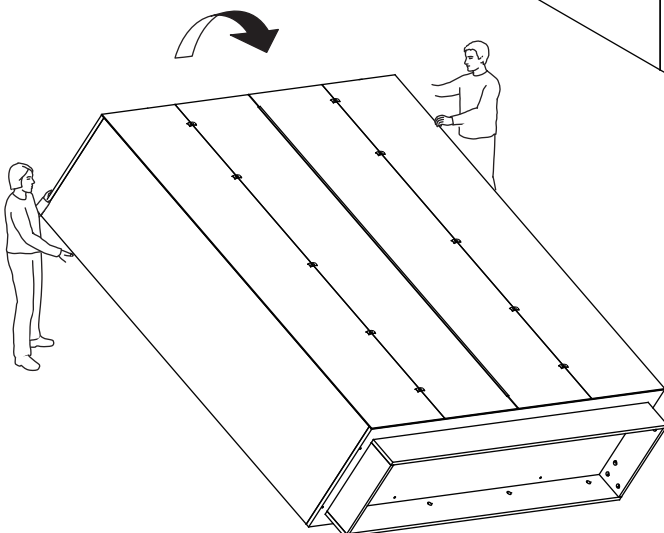
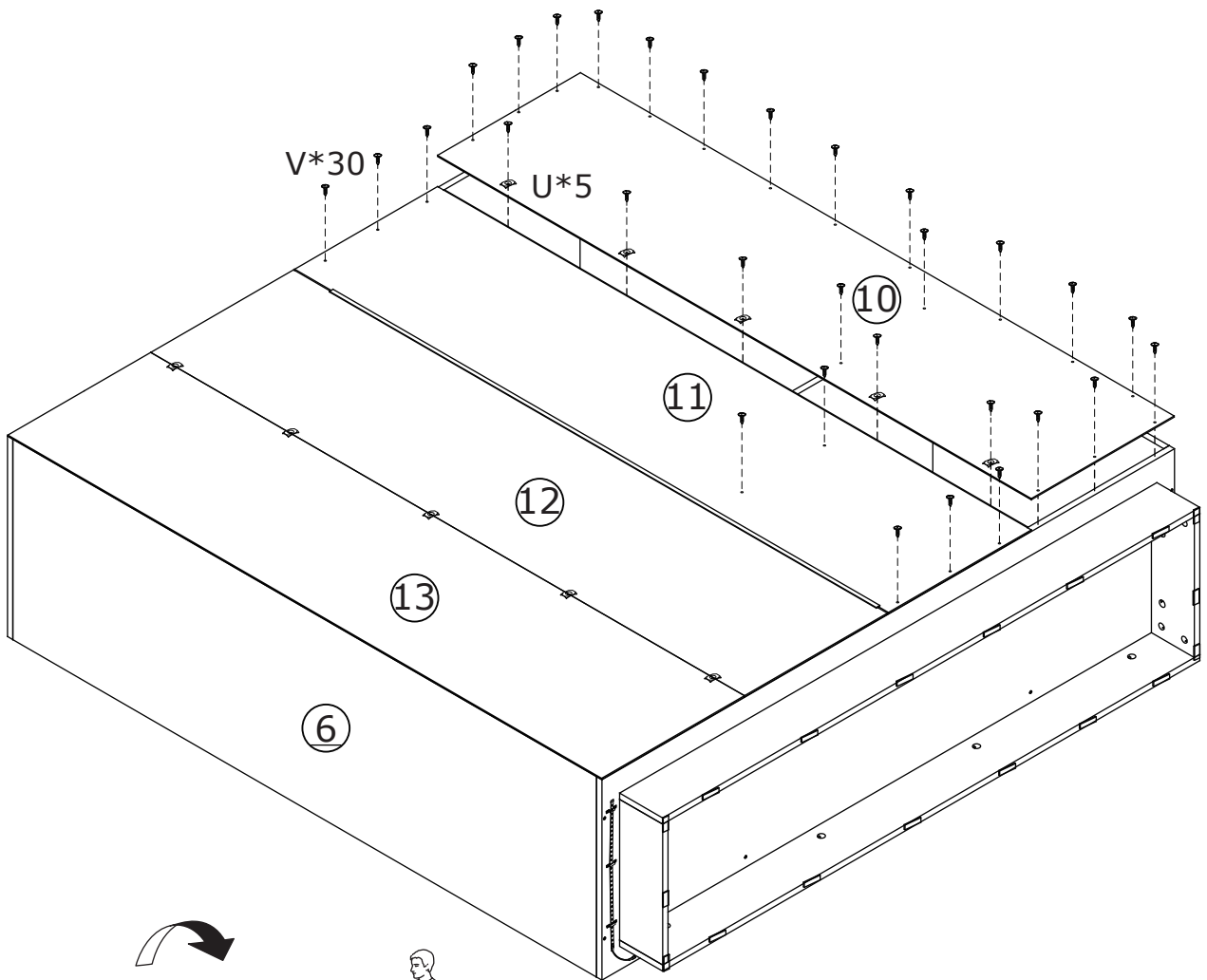
12



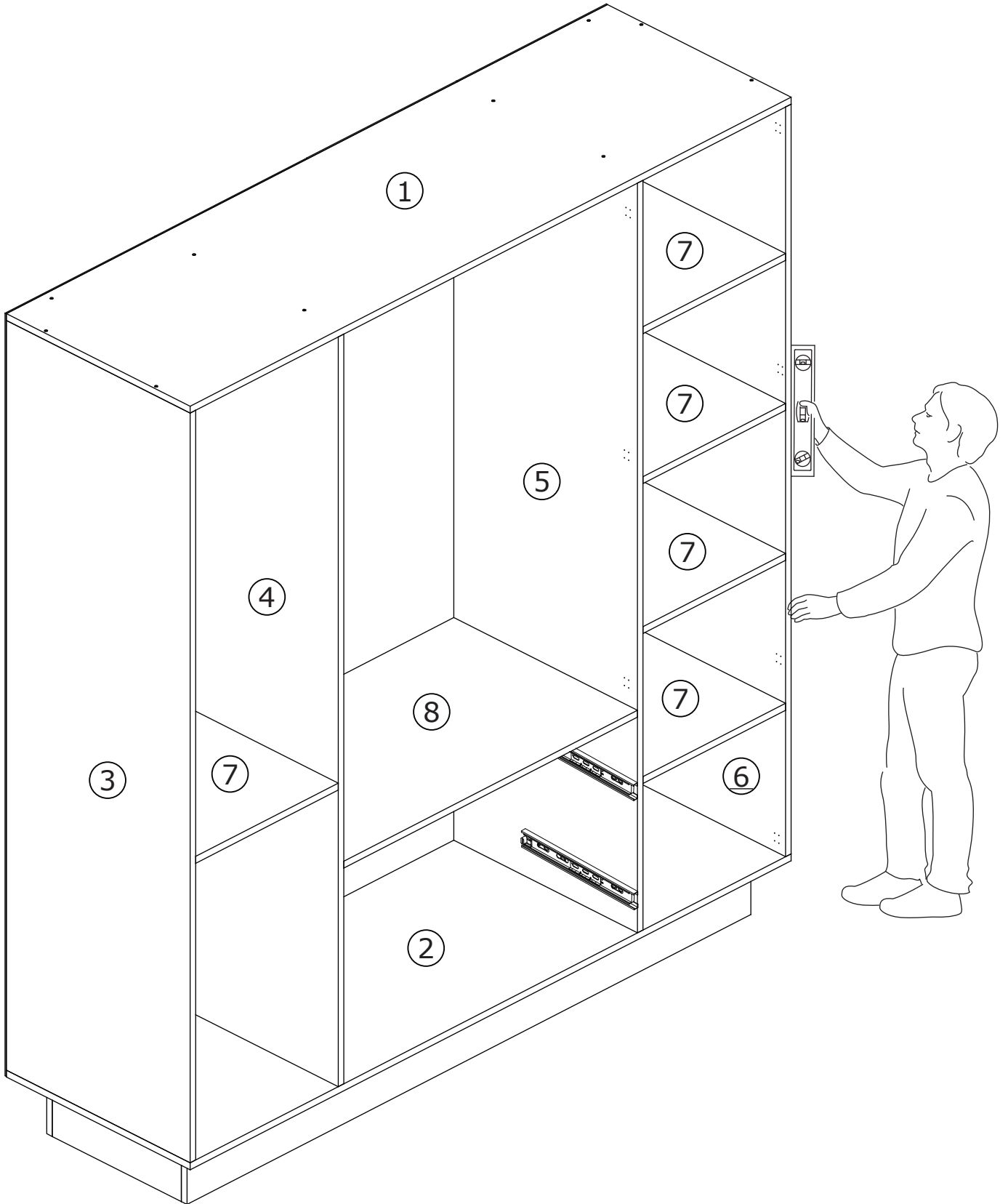
13



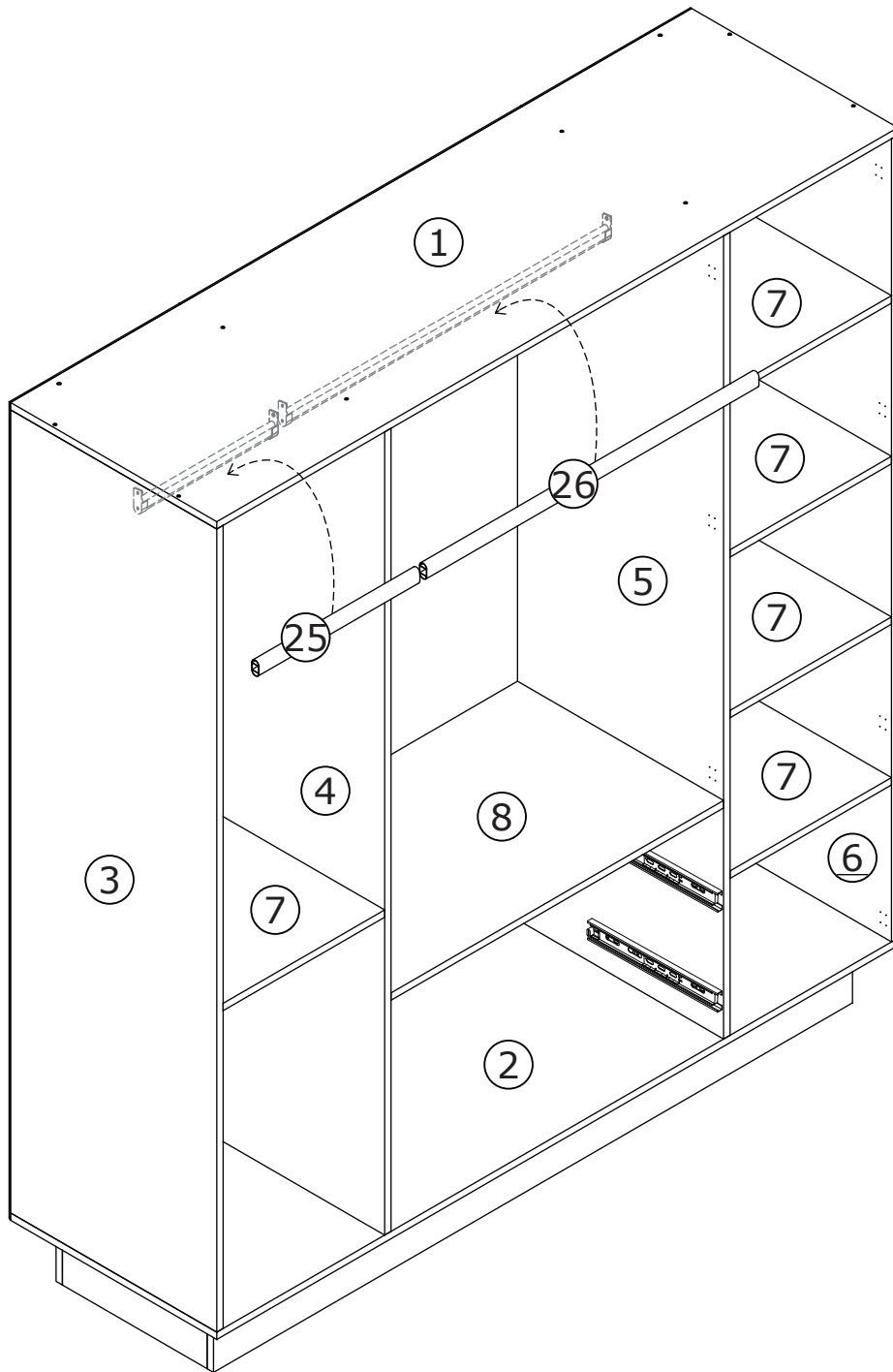
It takes two people to lift the product together.



14

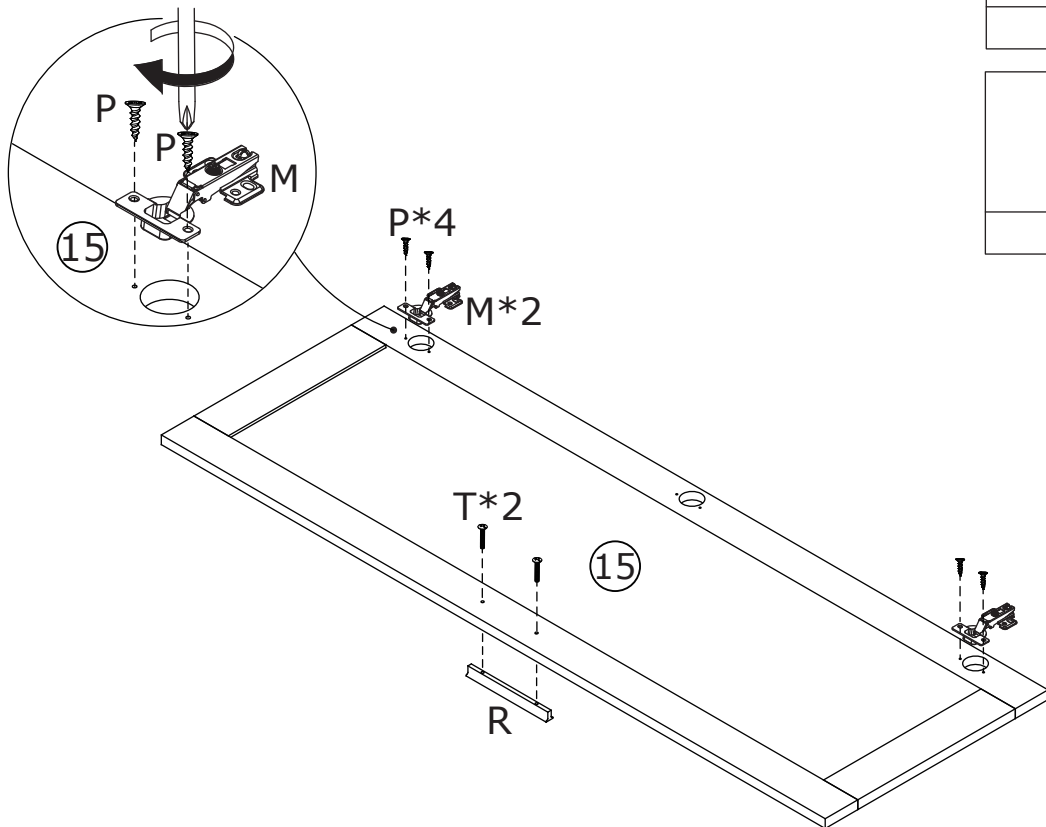
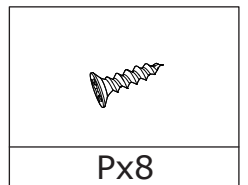
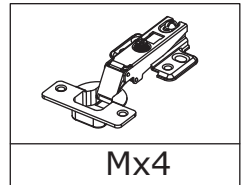
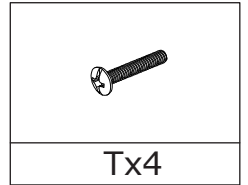
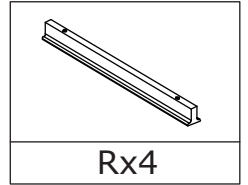


15



16

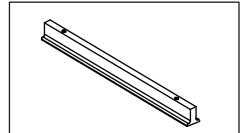
Please refer to the supplementary instructions for hinge adjustment or Page38.



x2

17

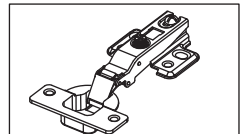
Please refer to the supplementary instructions for hinge adjustment or Page38.



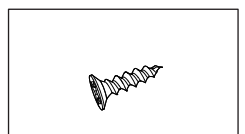
Rx4



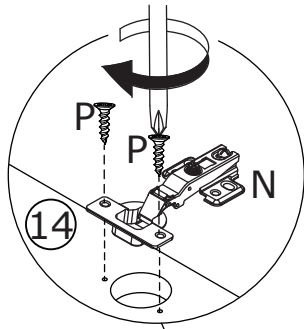
Tx4



Nx4



Px8



14

P*4
N*2

T*2

14

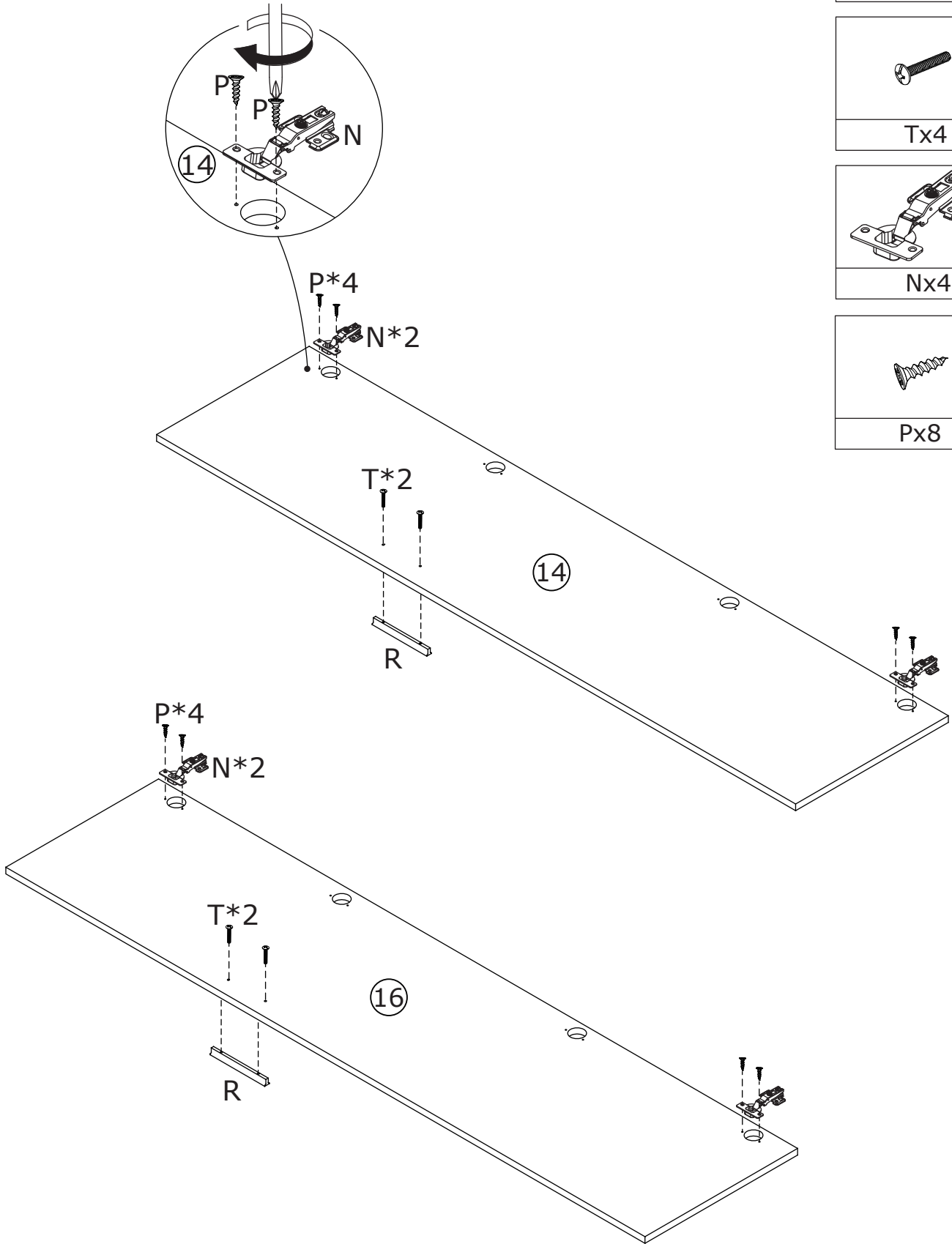
R

P*4
N*2

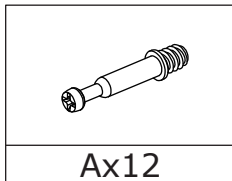
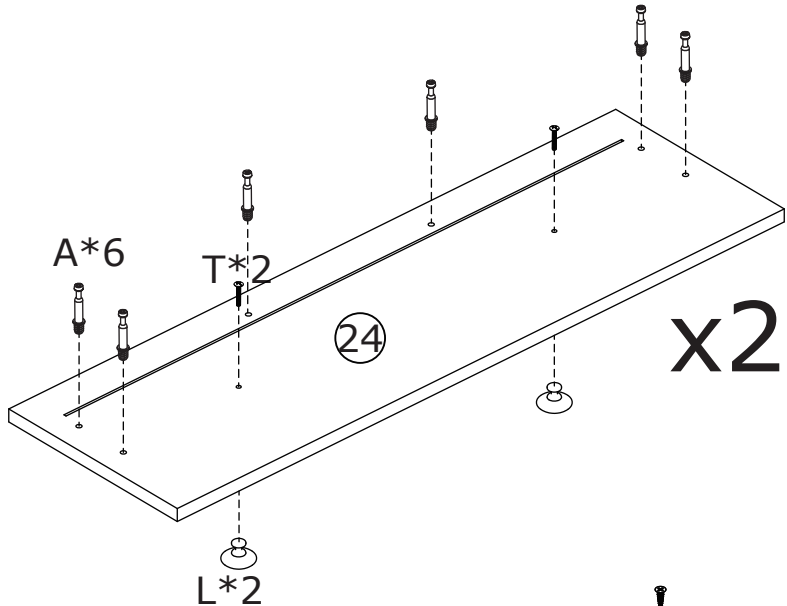
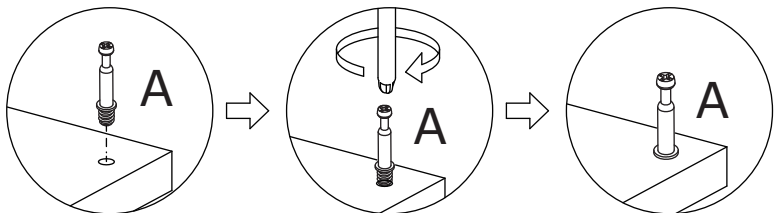
T*2

16

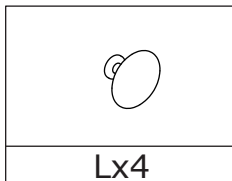
R



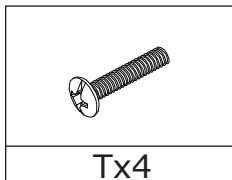
18



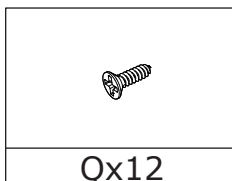
Ax12



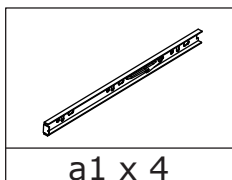
Lx4



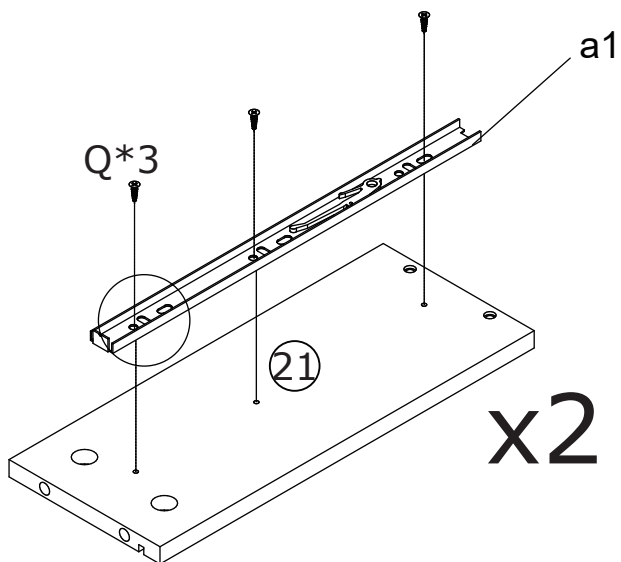
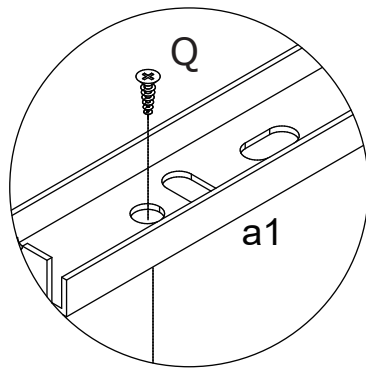
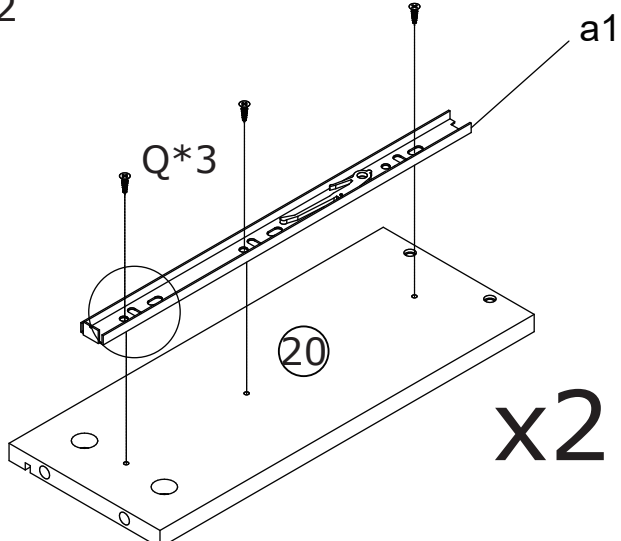
Tx4



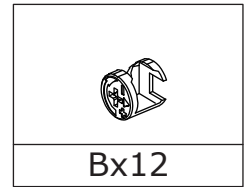
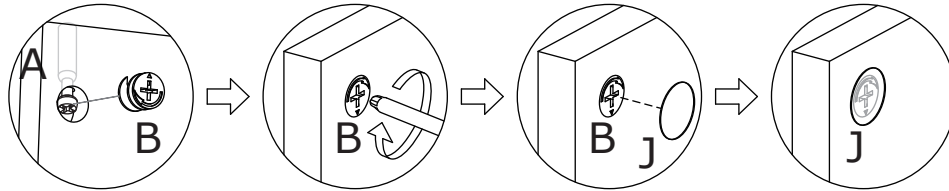
Qx12



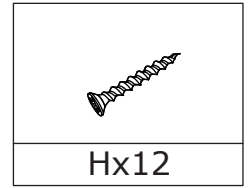
a1 x 4



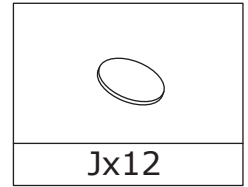
19



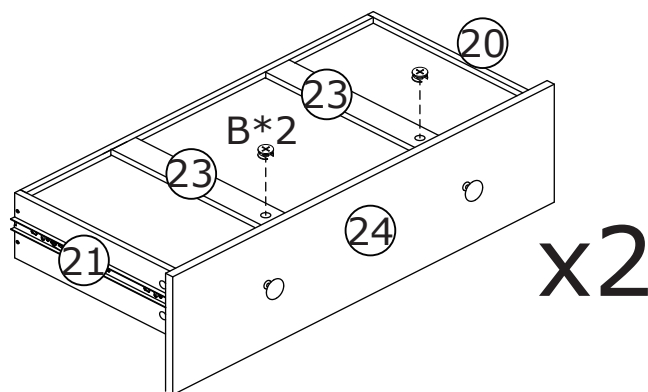
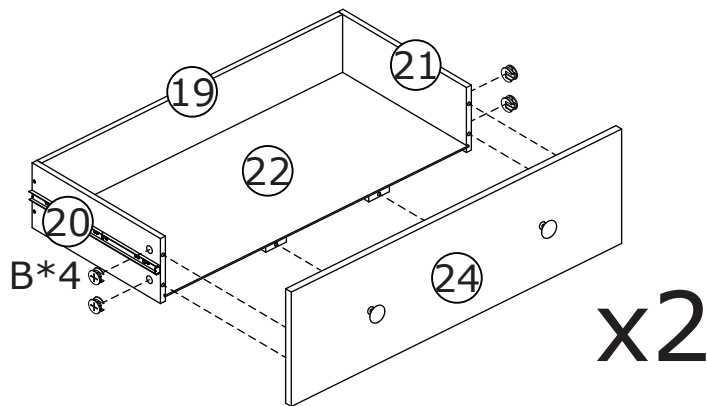
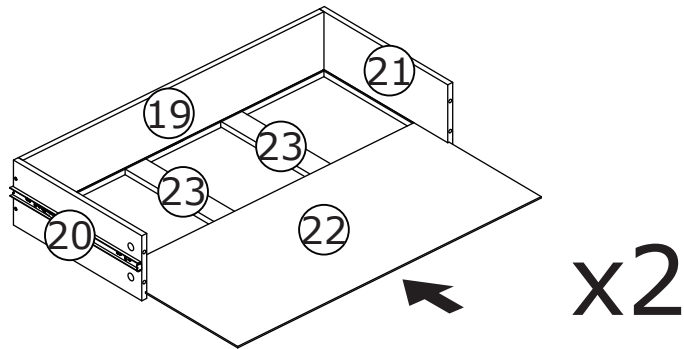
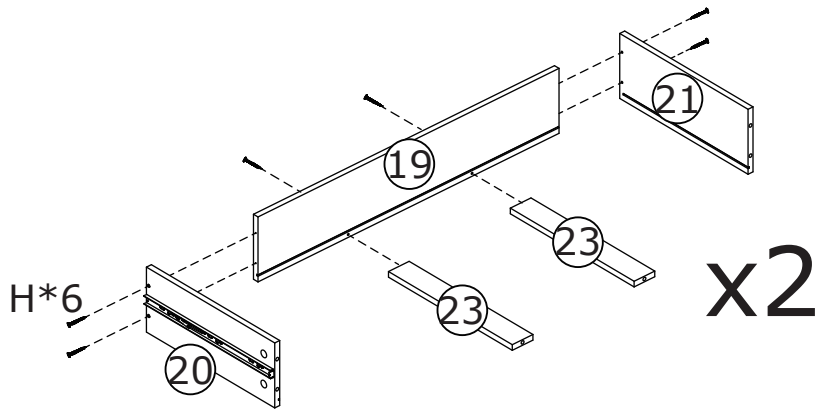
Bx12

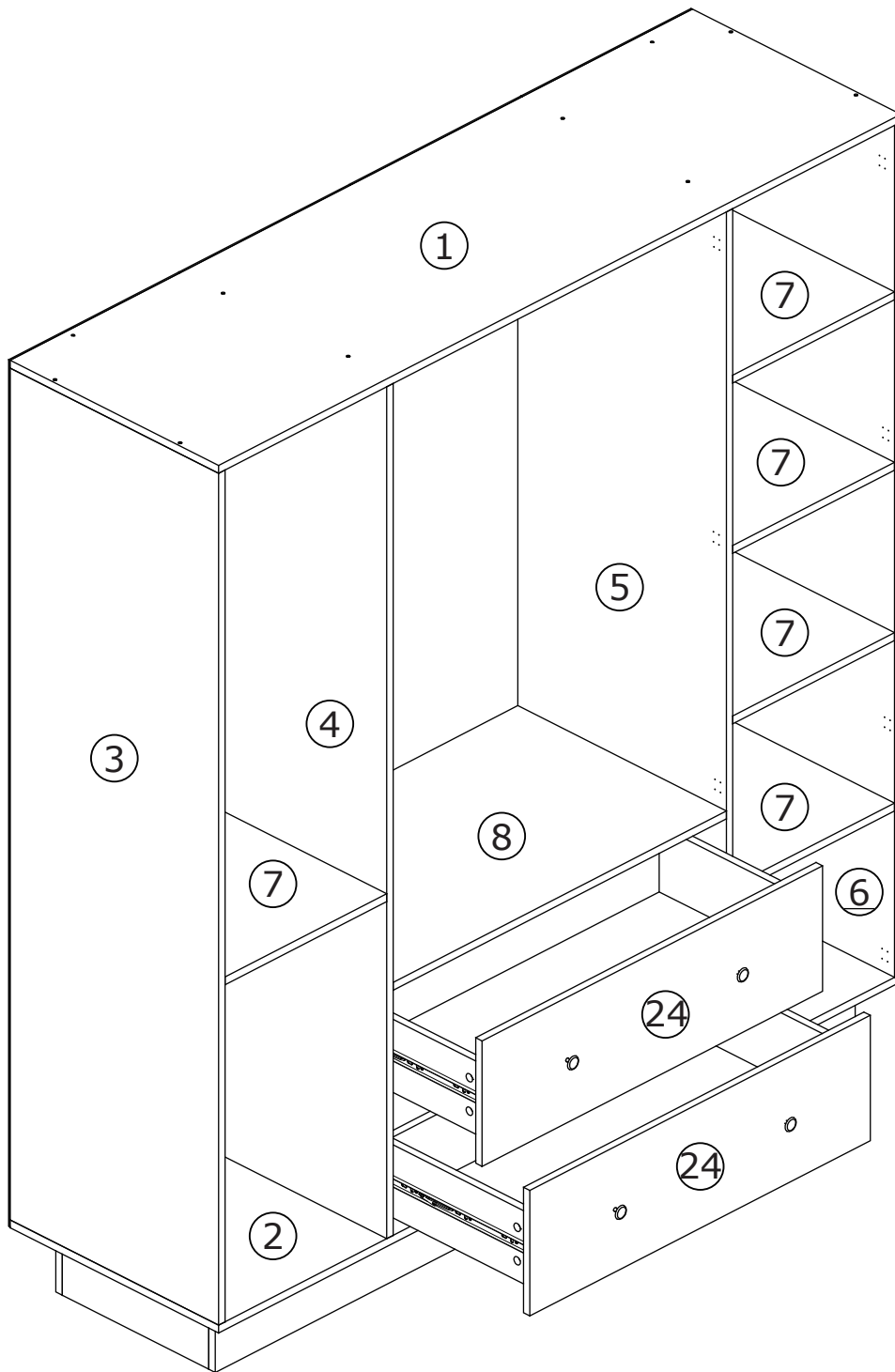


Hx12



Jx12



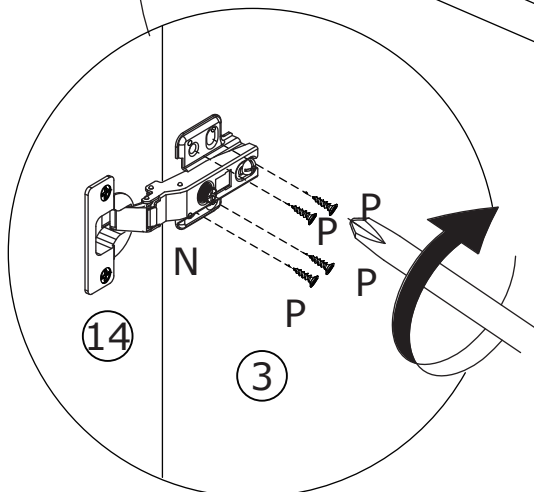
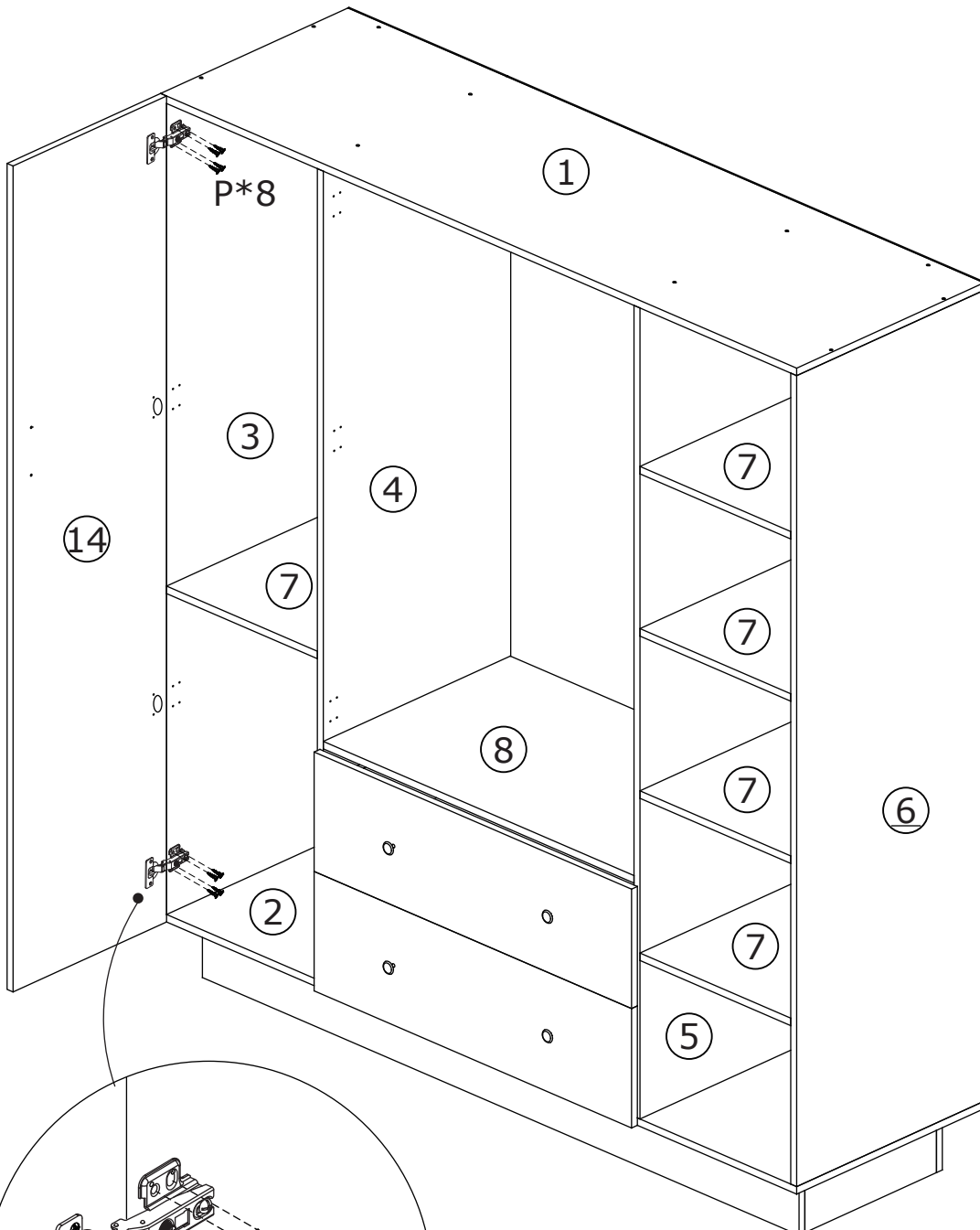


21

Please refer to the supplementary instructions for hinge adjustment or Page38.

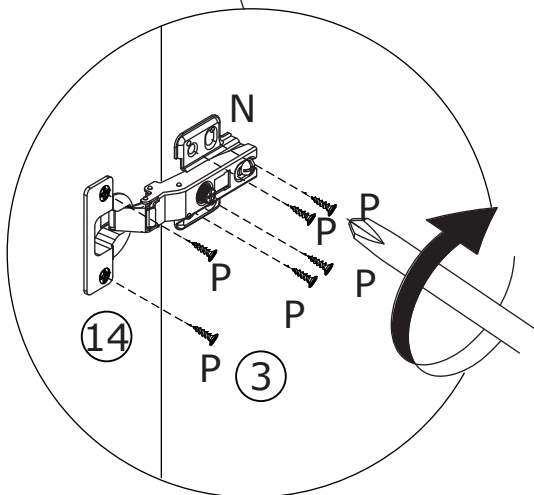
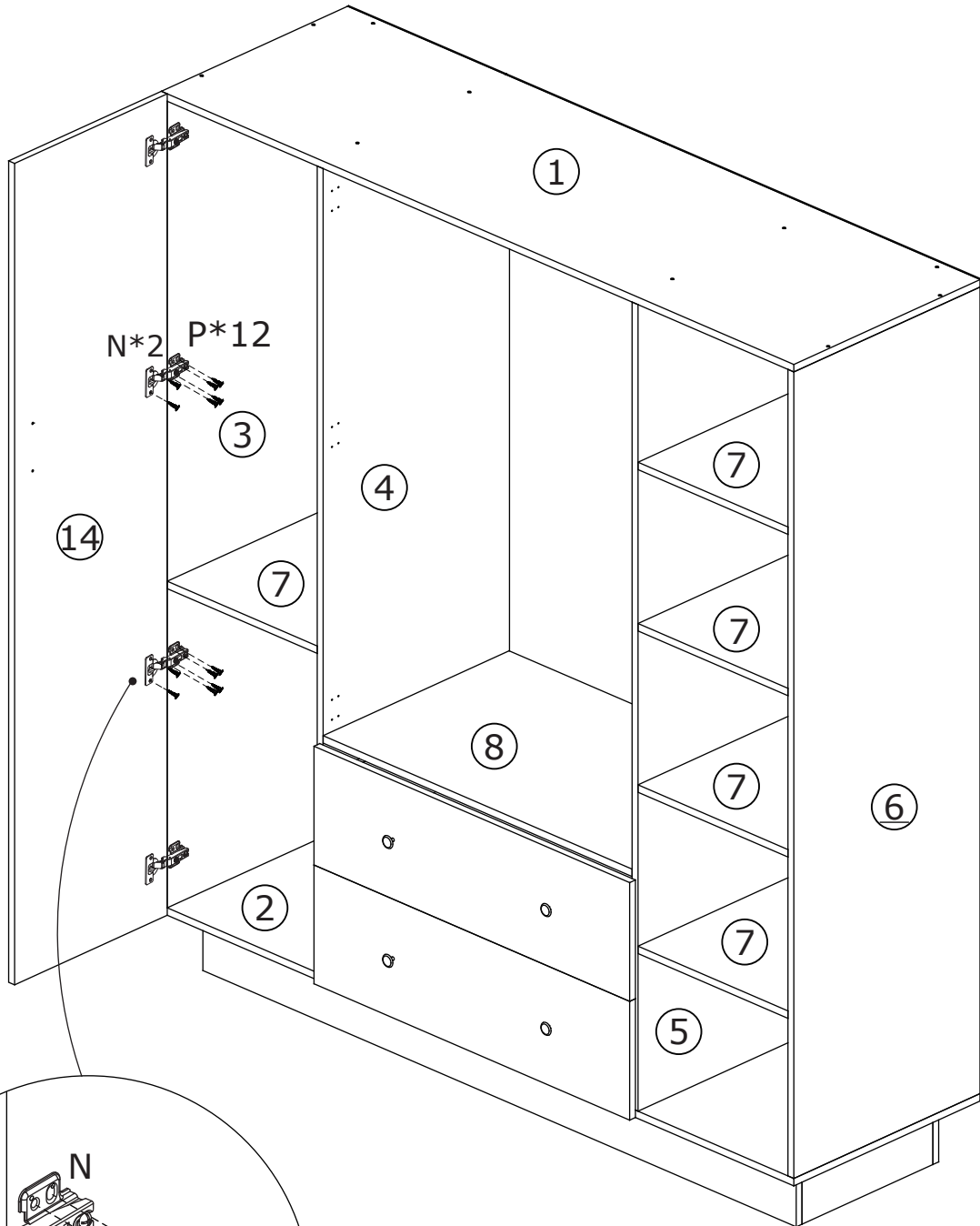
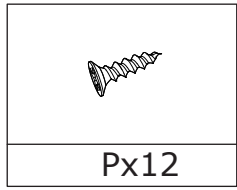
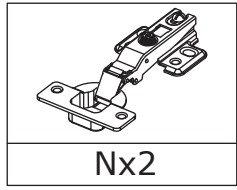


Px8



22

Please refer to the supplementary instructions for hinge adjustment or Page38.

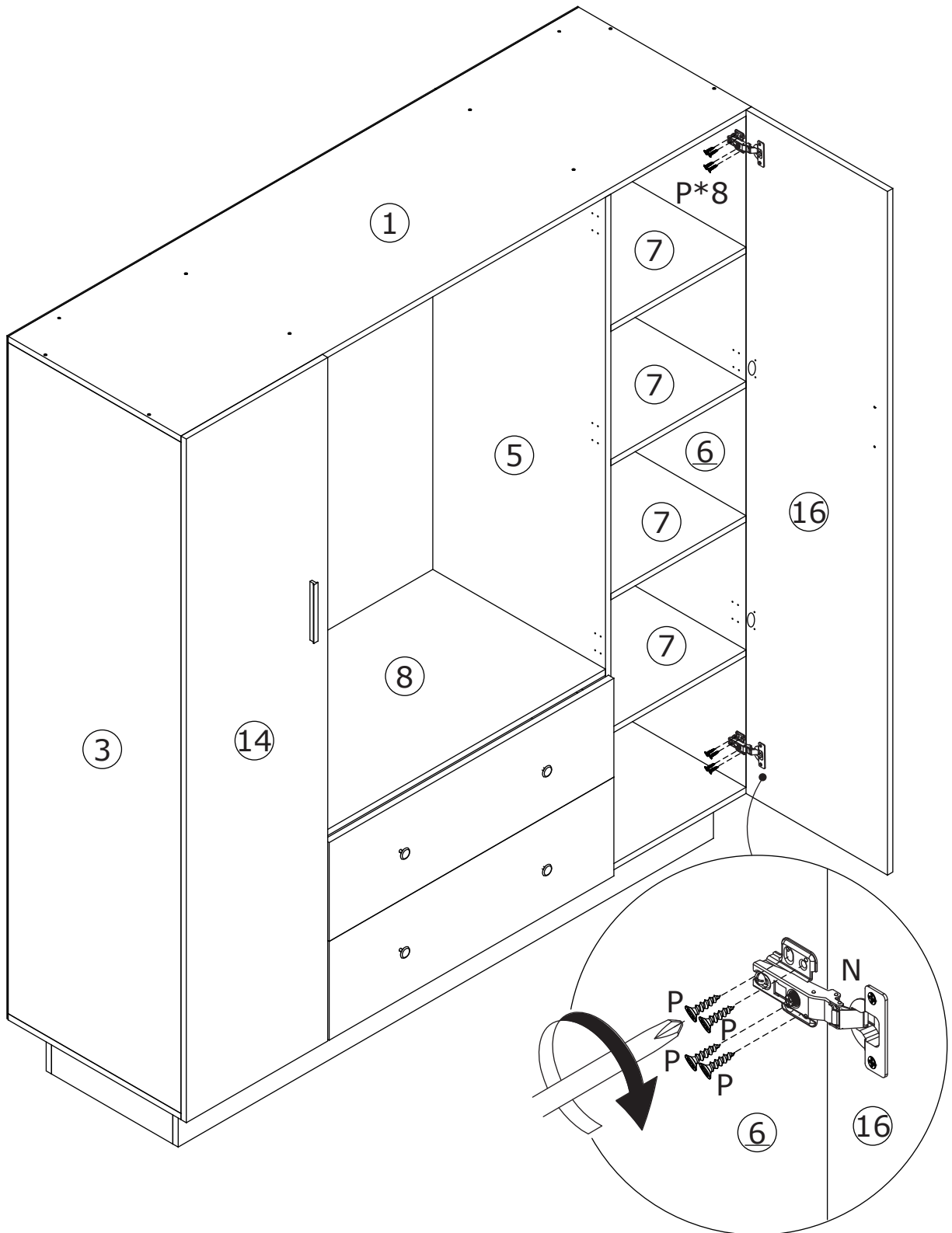


23

Please refer to the supplementary instructions for hinge adjustment or Page38.

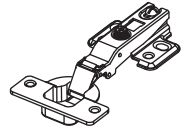


P*8



24

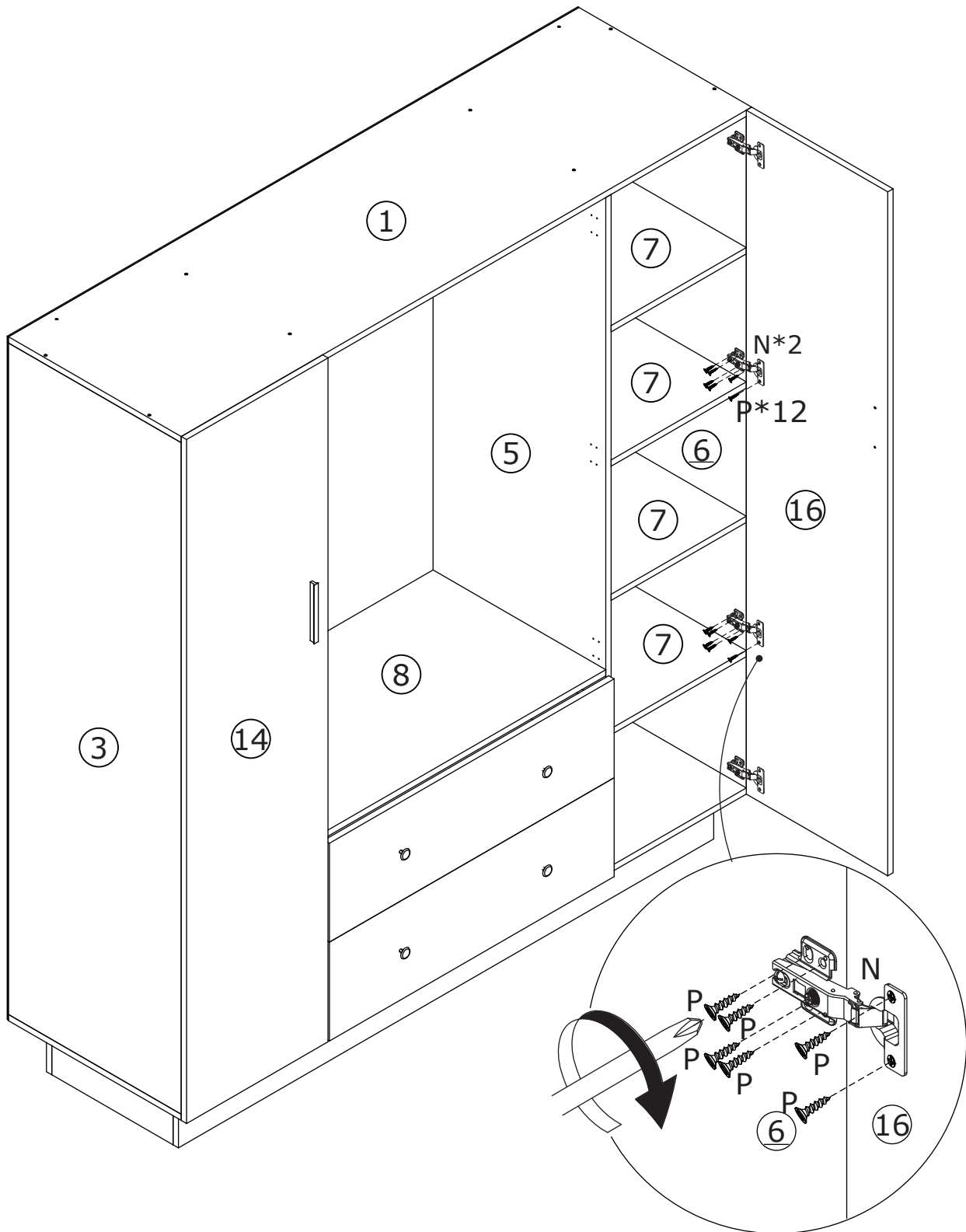
Please refer to the supplementary instructions for hinge adjustment or Page38.



Nx2

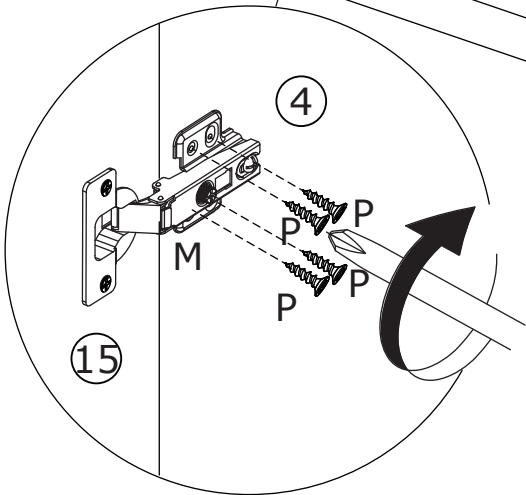
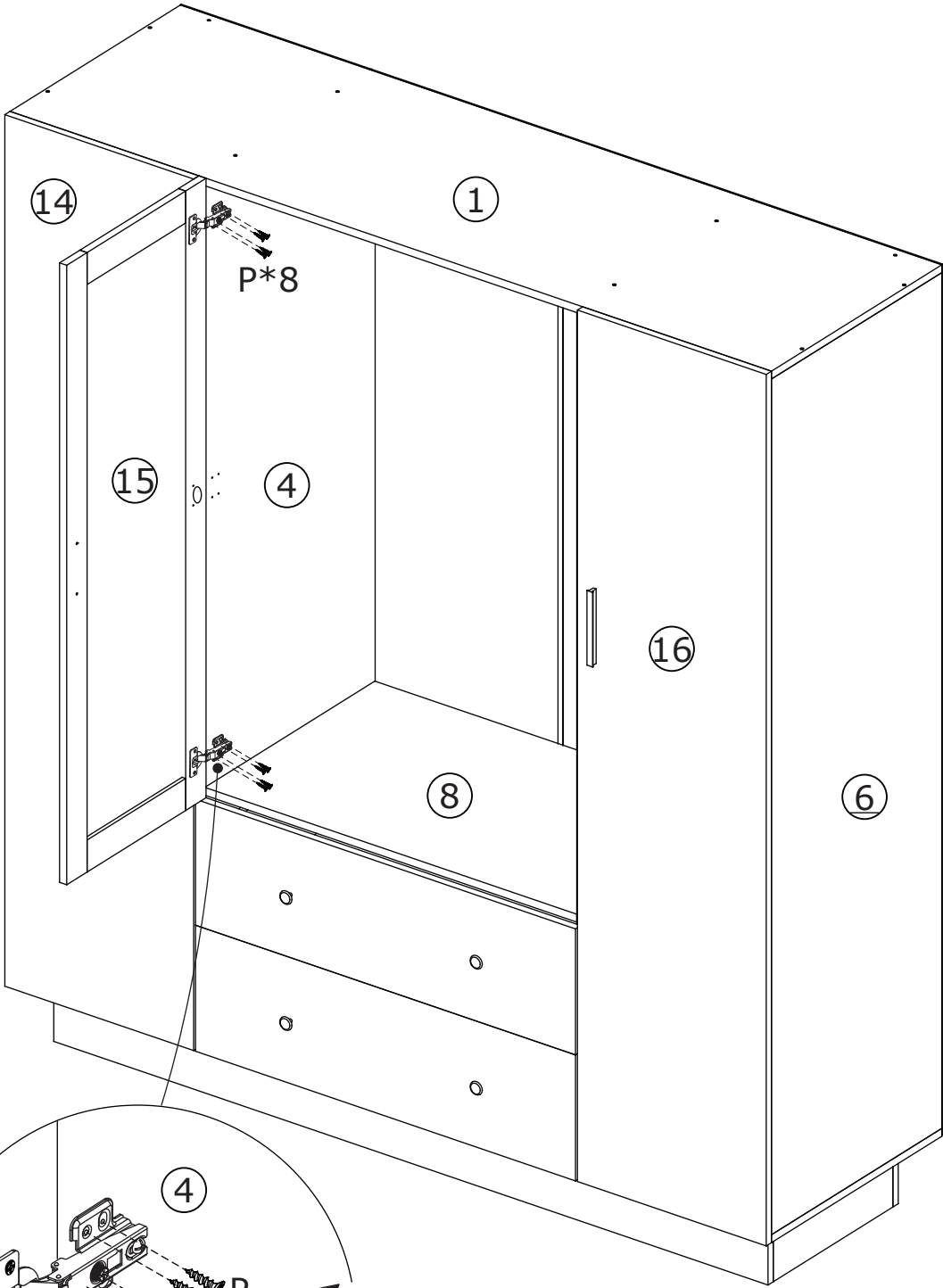
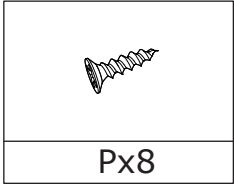


Px12



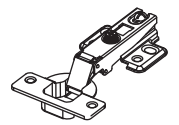
25

Please refer to the supplementary instructions for hinge adjustment or Page38.



26

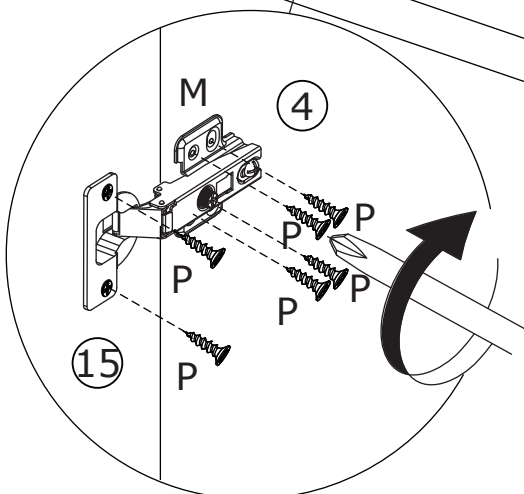
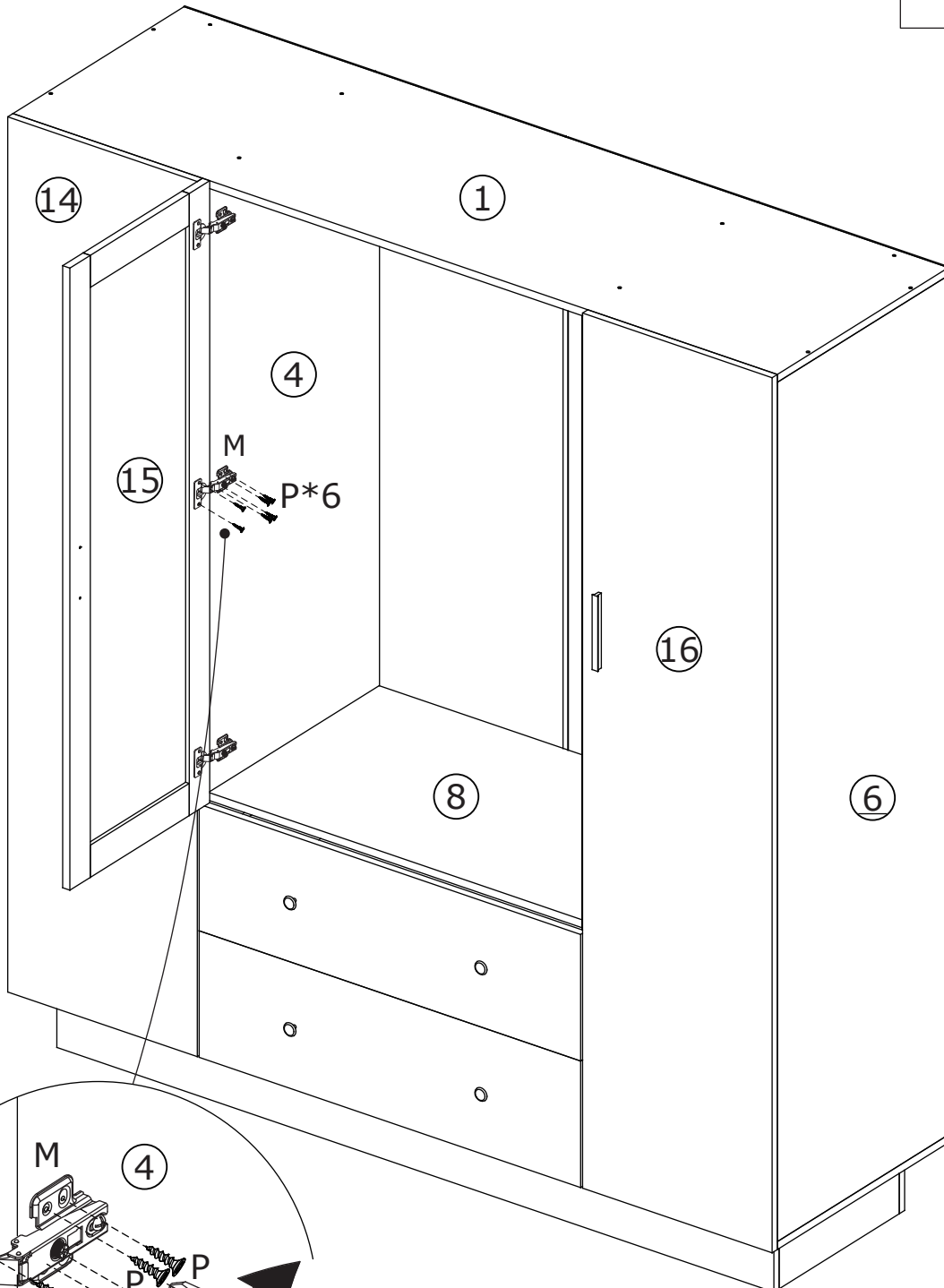
Please refer to the supplementary instructions for hinge adjustment or Page38.



Mx1

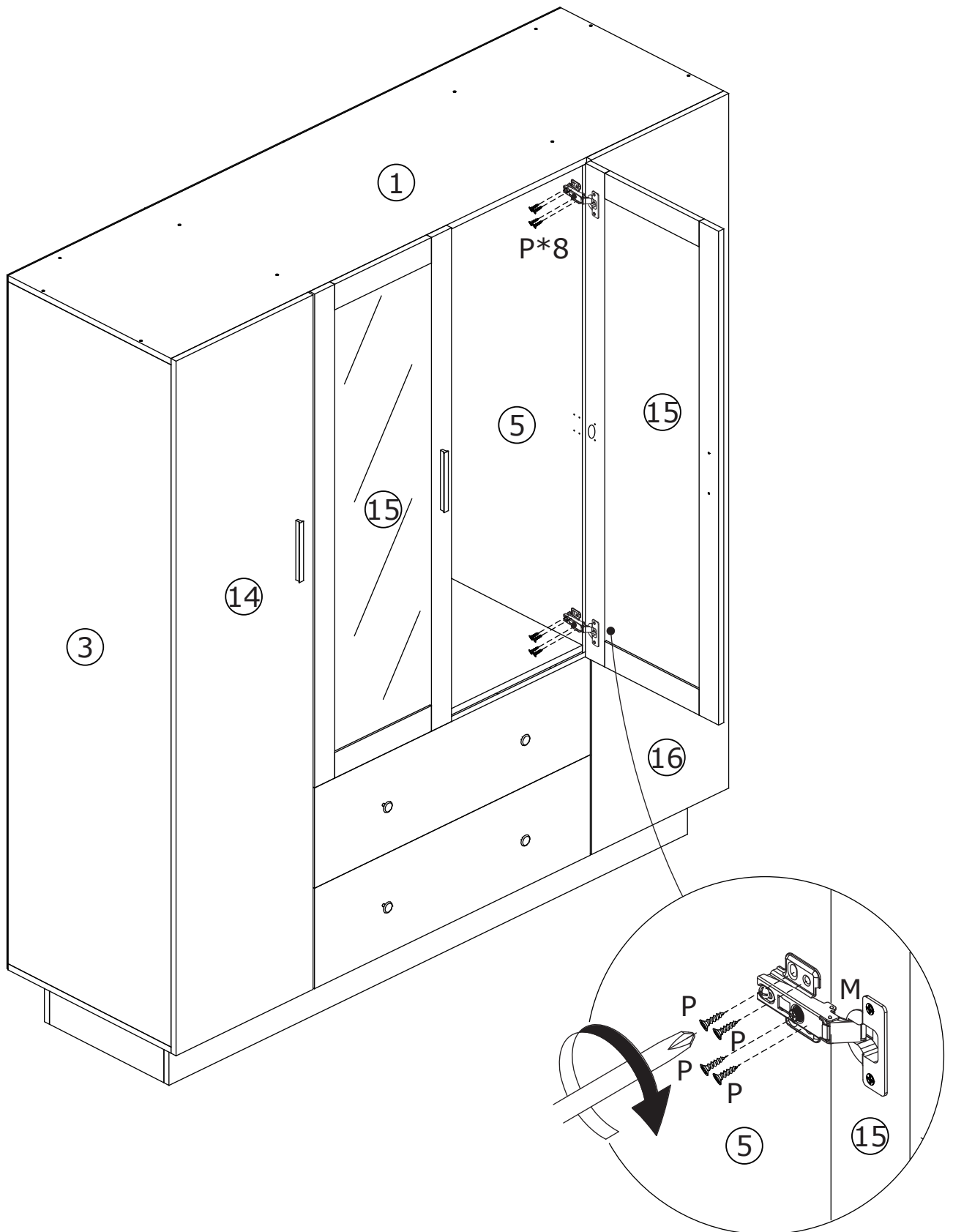
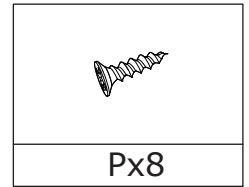


Px6



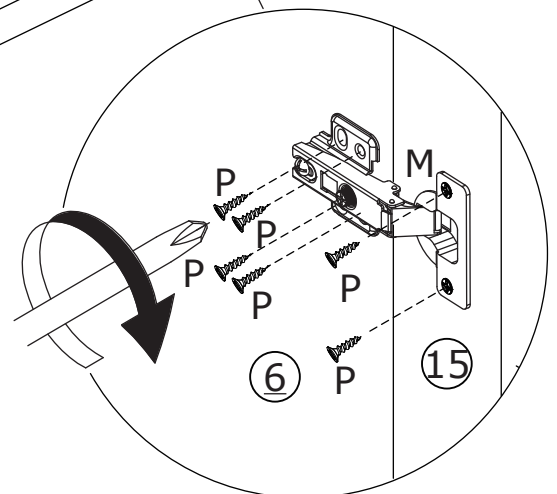
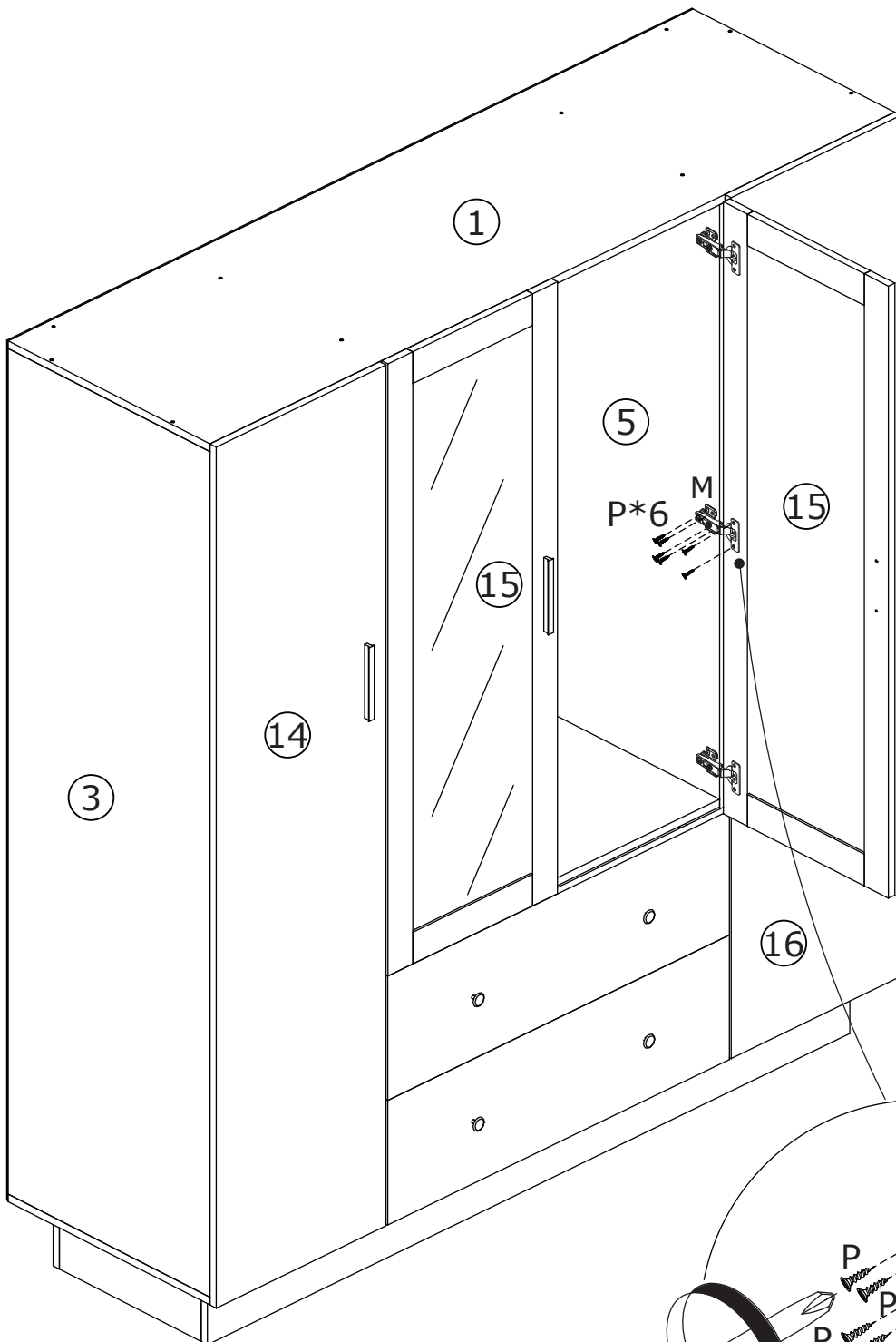
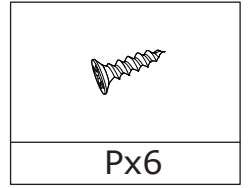
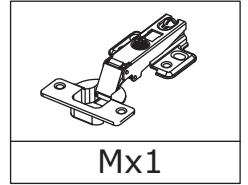
27

Please refer to the supplementary instructions for hinge adjustment or Page38.



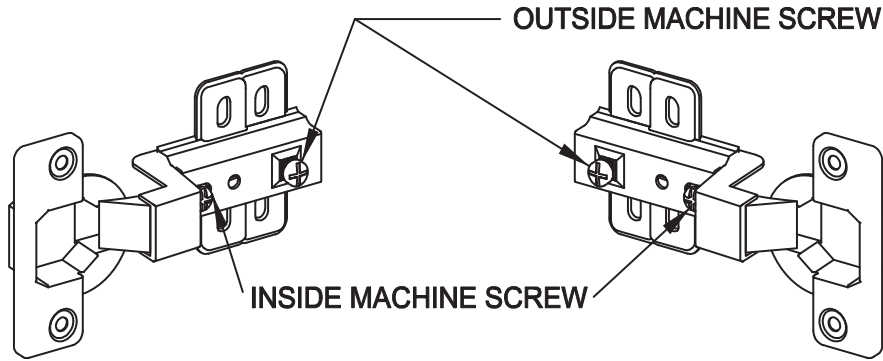
28

Please refer to the supplementary instructions for hinge adjustment or Page38.



HINGE ADJUSTMENT SUPPLEMENT

29



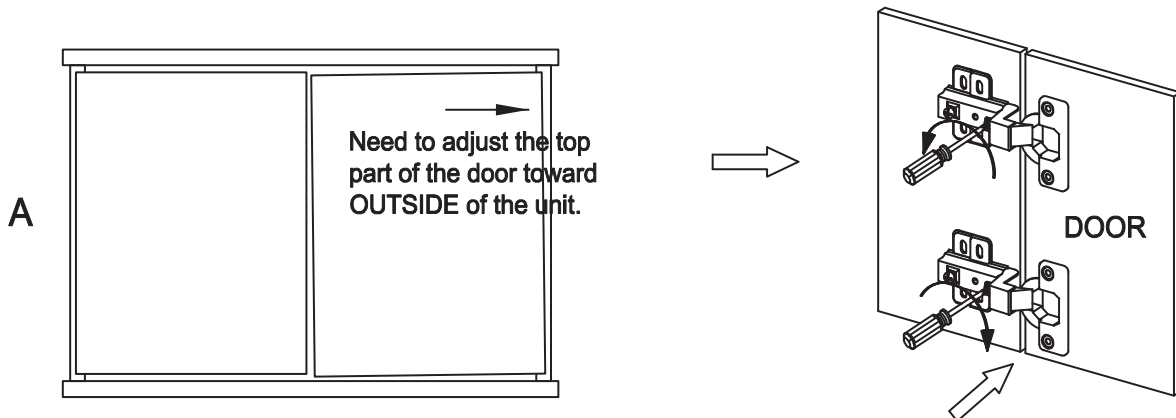
In the event that the door does not align properly, the **INSIDE Machine Screws** located on the Hinges are for adjusting slightly to the Left or Right. **DO NOT LOOSEN THE OUTSIDE MACHINE SCREW FOR ADJUSTMENT.**

A. To adjust the door toward the **OUTSIDE** of the unit, turn the Inside Machine Screws to the **LEFT**, or **COUNTERCLOCKWISE**. (See Figure A)

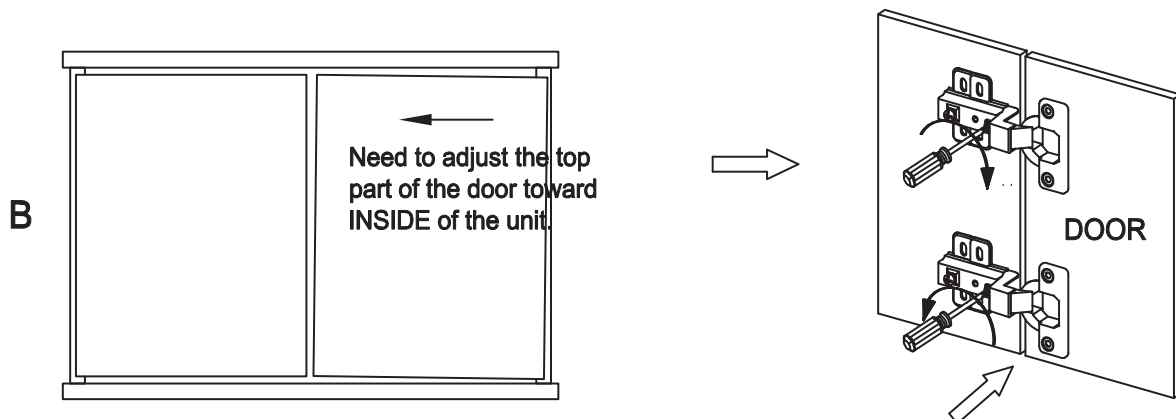
B. To adjust the door toward the **INSIDE** of the unit, turn the Inside Machine Screws to the **RIGHT**, or **CLOCKWISE**. (See Figure B)

***Note: Please be patient, it may take several minutes to adjust properly.**

Only once the door is in the desired position, fully tighten the **OUTSIDE Machine Screws**. This will ensure that the door is secure.



You may also need to adjust slightly the lower part of the door toward **INSIDE** of the unit at the same time.



You may also need to adjust slightly the lower part of the door toward **OUTSIDE** of the unit at the same time.

30

