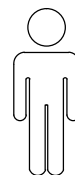
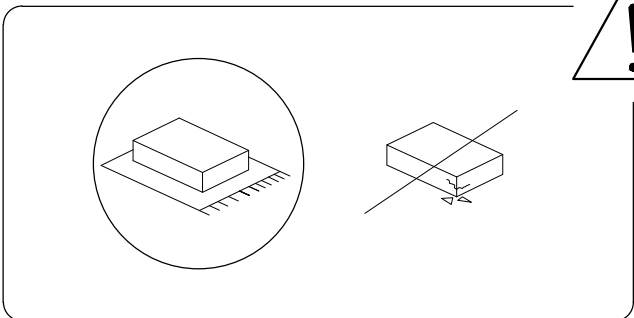
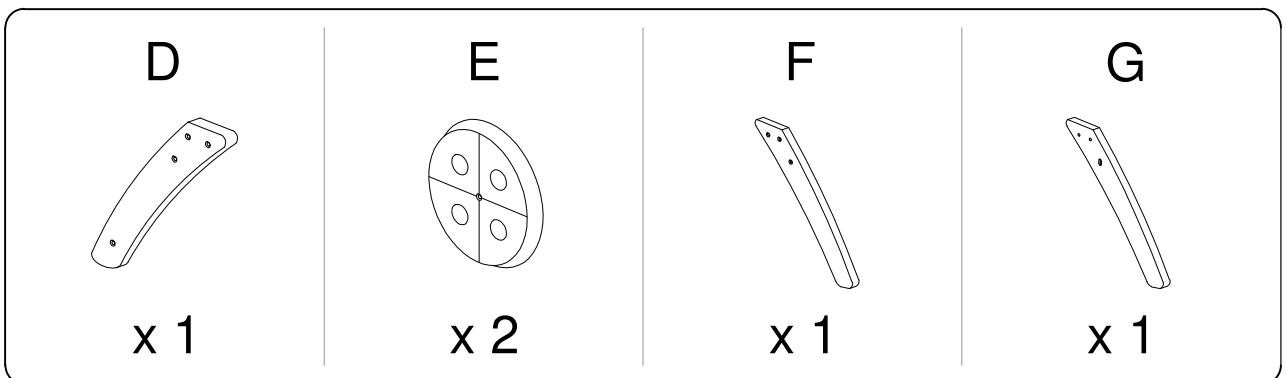
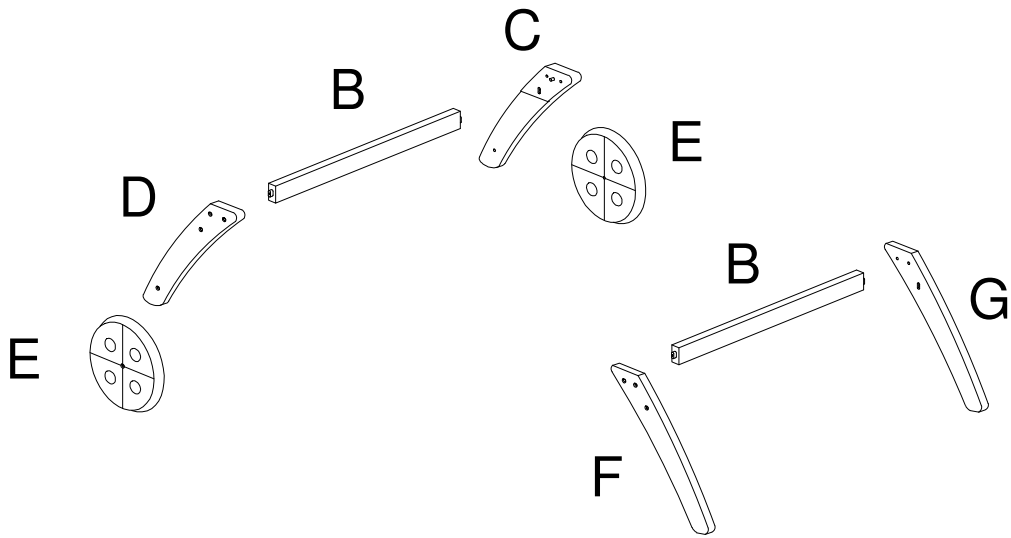
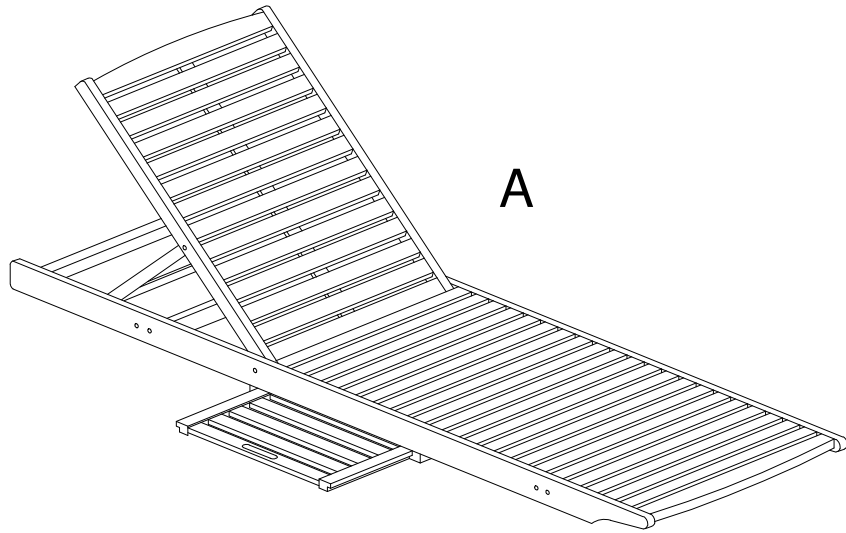
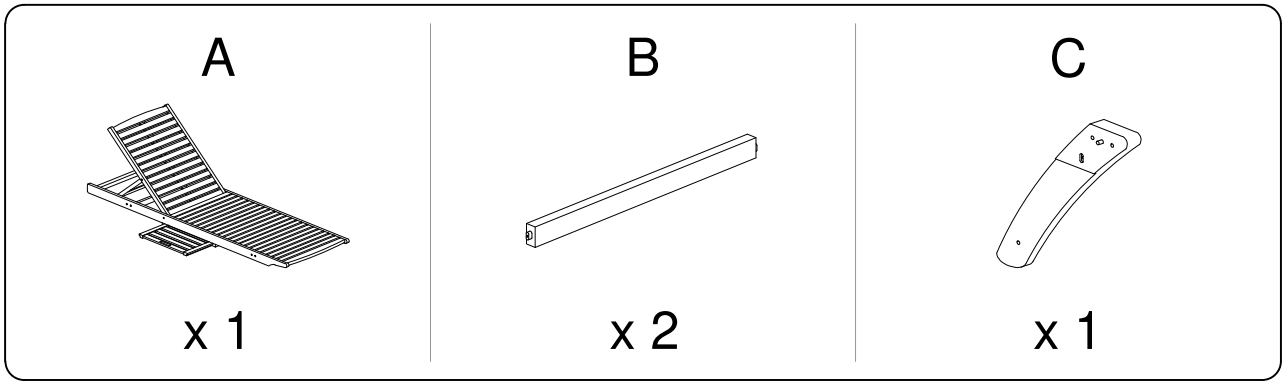


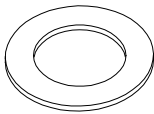
30'



1

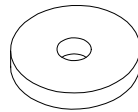


H



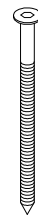
x 2

I



x 2

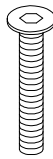
J



M7  
x  
60

x 4

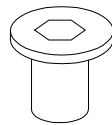
K



M6  
x  
35

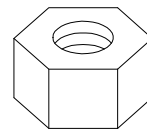
x 8

L



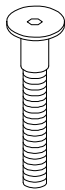
x 8

M



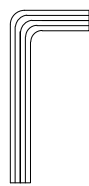
x 2

N



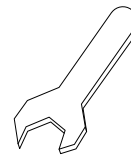
x 2

O



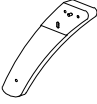
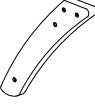
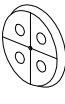
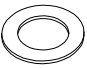
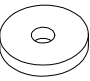
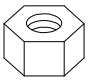
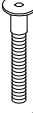
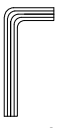

x 2

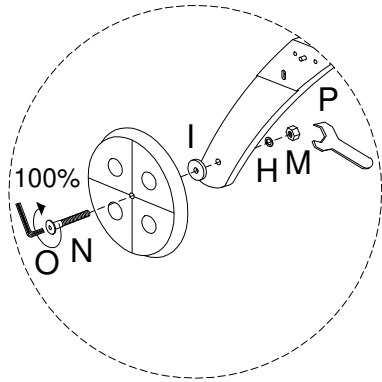
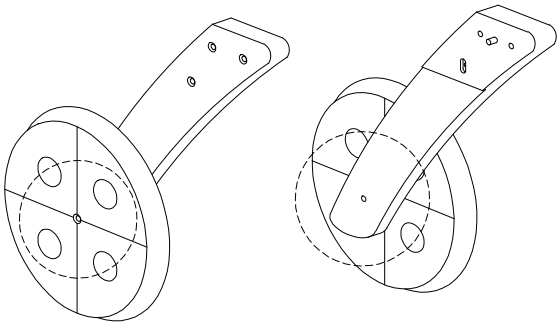
P



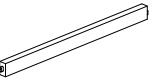
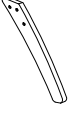
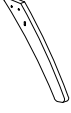

x 1

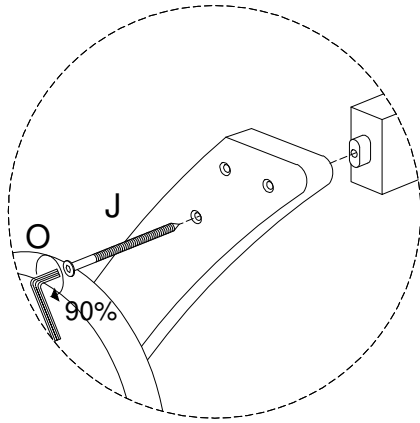
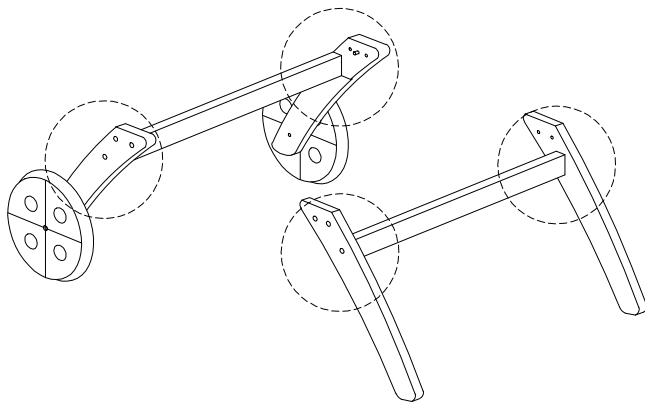
1

<b>C</b>  x 1	<b>D</b>  x 1	<b>E</b>  x 2	<b>H</b>  x 2	
<b>I</b>  x 2	<b>M</b>  x 2	<b>N</b>  x 2	<b>O</b>  x 1	<b>P</b>  x 1


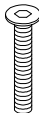
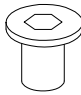



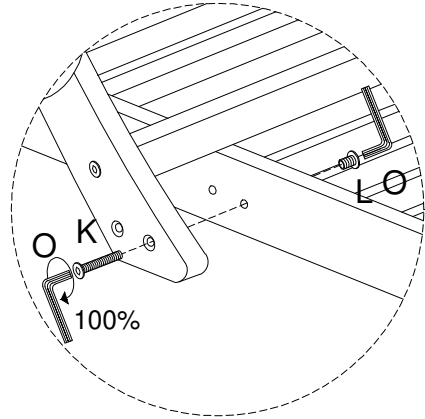
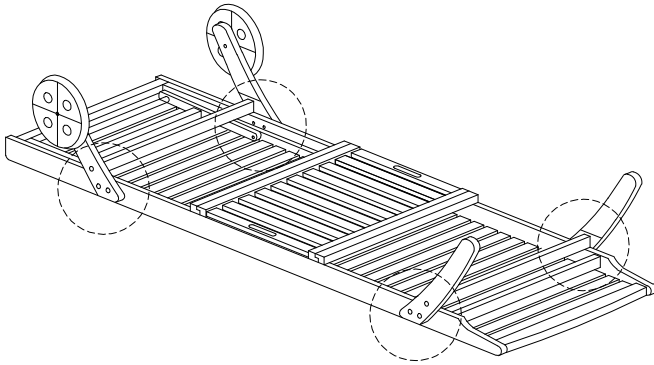
2

<b>B</b>  x 2	<b>F</b>  x 1	<b>G</b>  x 1	<b>J</b> M7 x 60 x 4	<b>O</b>  x 1
--	--	--	----------------------------------	--




3

<p>A</p>  <p>x 1</p>	<p>K</p>  <p>M6 x 35</p> <p>x 8</p>	<p>L</p>  <p>x 8</p>	<p>O</p>  <p>x 2</p>
---	--	--	---



4

<p>O</p>  <p>x 1</p>
---

