



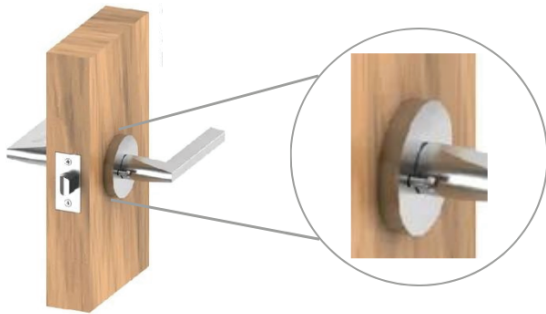
FUNCTIONS GUIDE

PASSAGE (NON LOCKING)



Non Locking handle set with tubular latch mechanism.
Made for doors with 2 1/8" standard bore hole.
Includes everything needed for one door.
Used on doors for hallways, laundry rooms, bedrooms etc...

PRIVACY (LOCKING)

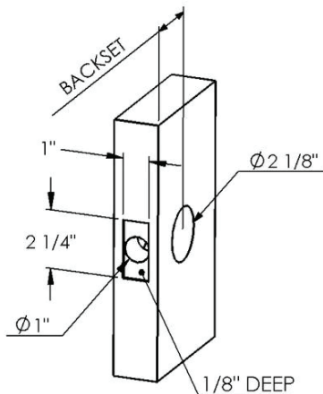


Locking handle set by privacy pin with emergency release on opposite side with tubular latch mechanism. Made for doors with 2 1/8" standard bore hole.
Includes everything needed for one door.
Used on doors for bathrooms, offices, etc...

SINGLE DUMMY (SURFACE MOUNTED CLOSET)



Single handle on one side of the door. Made for doors that do not have any holes and the handle is surface mounted by 2 screws. No latch mechanism.
Used on doors for closets, French doors, etc...



Door Preparation: The door prep is a set of drilled holes in the door, where the latch and levers will fit in.

2 1/8" is a standard size for a bore hole through the door.

Latch faceplate comes with square corners measuring 1" wide by 2 1/4" high and 1/8" deep

Backset: The backset is the distance from the edge of the door to the center of the 2 1/8" borehole.

These are two common backsets for residential door locks: 2 3/8" (60mm) and 2 3/4" (70mm).

Please accurately measure prior to ordering.