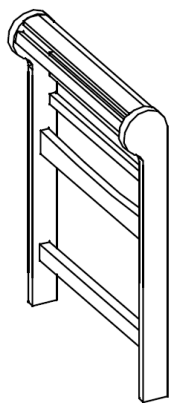
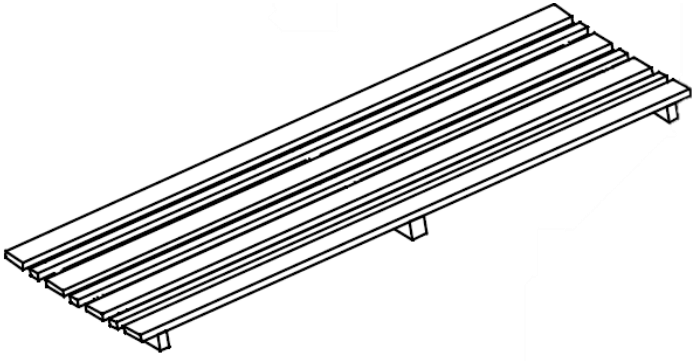
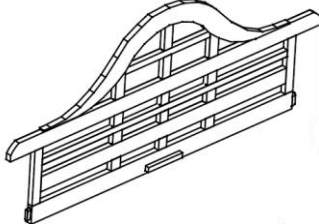




**Wood Bench**






## Pre-Assembly Instructions

- Read all instructions carefully before assembly.
- Find a smooth clean area in which to work to avoid damaging your item.
- Check that all parts and hardware from the lists are present.
- Lay out parts in alphabetical order and hardware in numerical order to make them easier to find when you are ready to assemble
- Wait to dispose of packing material until assembly is complete to avoid accidentally disposing of small parts or hardware
- Tools required: Allen wrench (included)
- Please use caution and care when lifting the product to avoid injury
- For ease of assembly two people are recommended

### Parts List:

A. Leg Qty: 2 	B. Seat Qty: 1 	
C. Back Qty: 1 	D. Seat Cross Bar Qty: 1 	E. Leg Cross Bar Qty: 1 

### Hardware List:

1. Bolt/Barrel Nut Qty: 4  Size Bolt 6x35mm Size Nut 6x5mm	1. Long Screw Qty: 4  Size 7x90mm	1. Medium Screw Qty: 2  Size 7x60mm
4. Short Screw Qty: 4  Size 6x35mm	4. Allen Wrench Qty: 2  Size 4mm	

### Assembly Instructions:

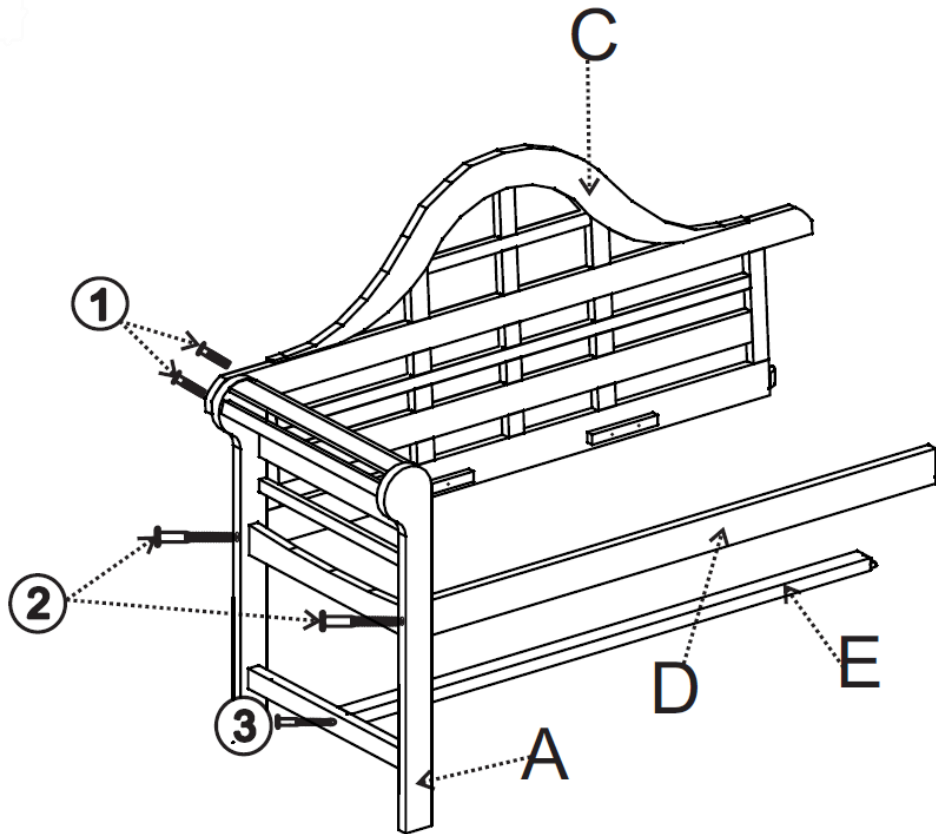
#### Step 1

*Wait to fully tighten all hardware until the end of Step 3.*

Use two Bolts/Barrel Nuts (1) and one Long Screw (2) to loosely attach one Leg (A) to the Back (C).

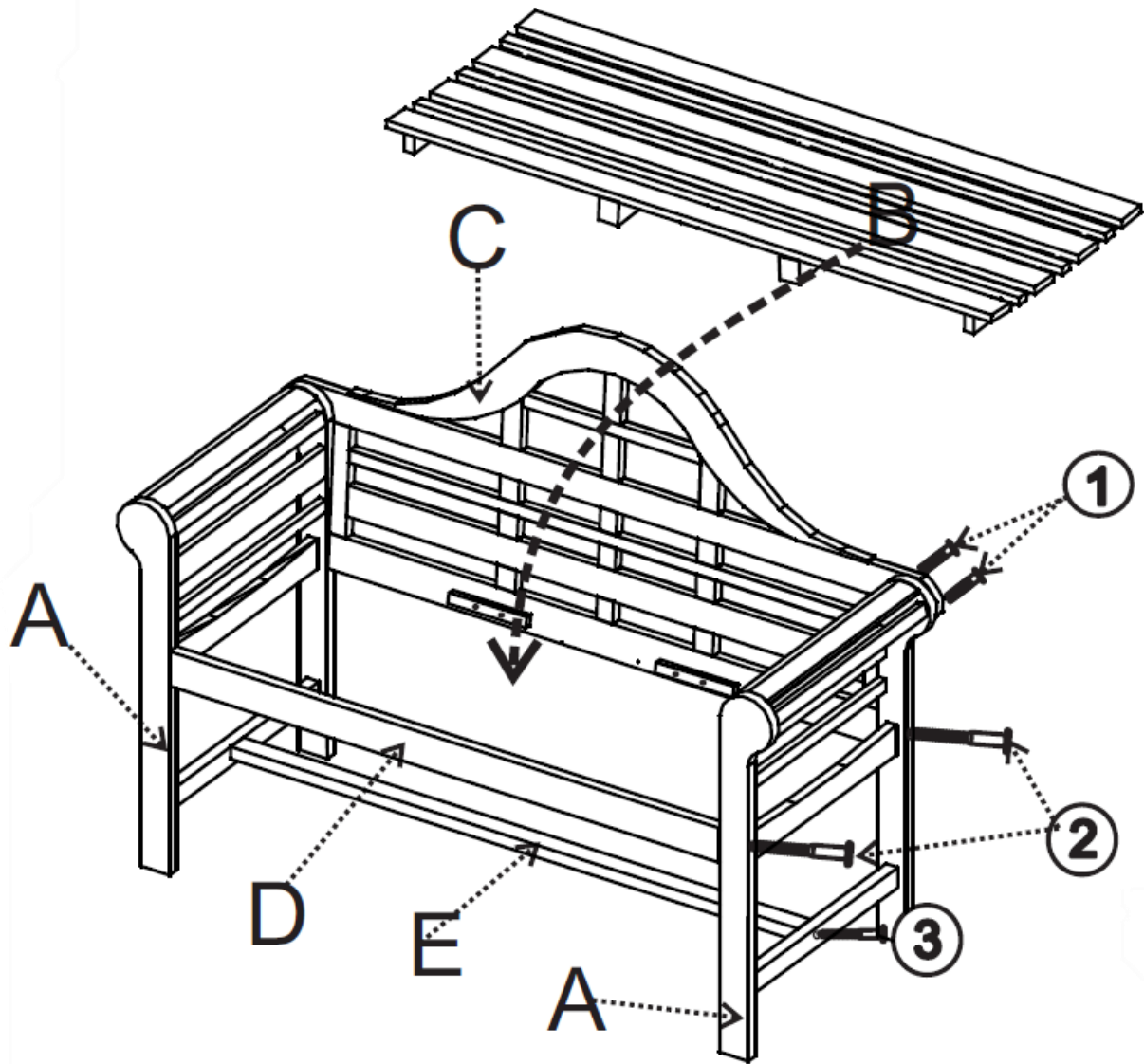
Use one Long Screw (2) to loosely attach the Seat Cross Bar (D) to the front of the Leg (A). *Be sure the block is at the bottom and facing the back of the bench.*

Use one Medium Screw (3) with to loosely attach the Leg Cross bar (E) to the middle of the Leg (A)



**Step 2:**

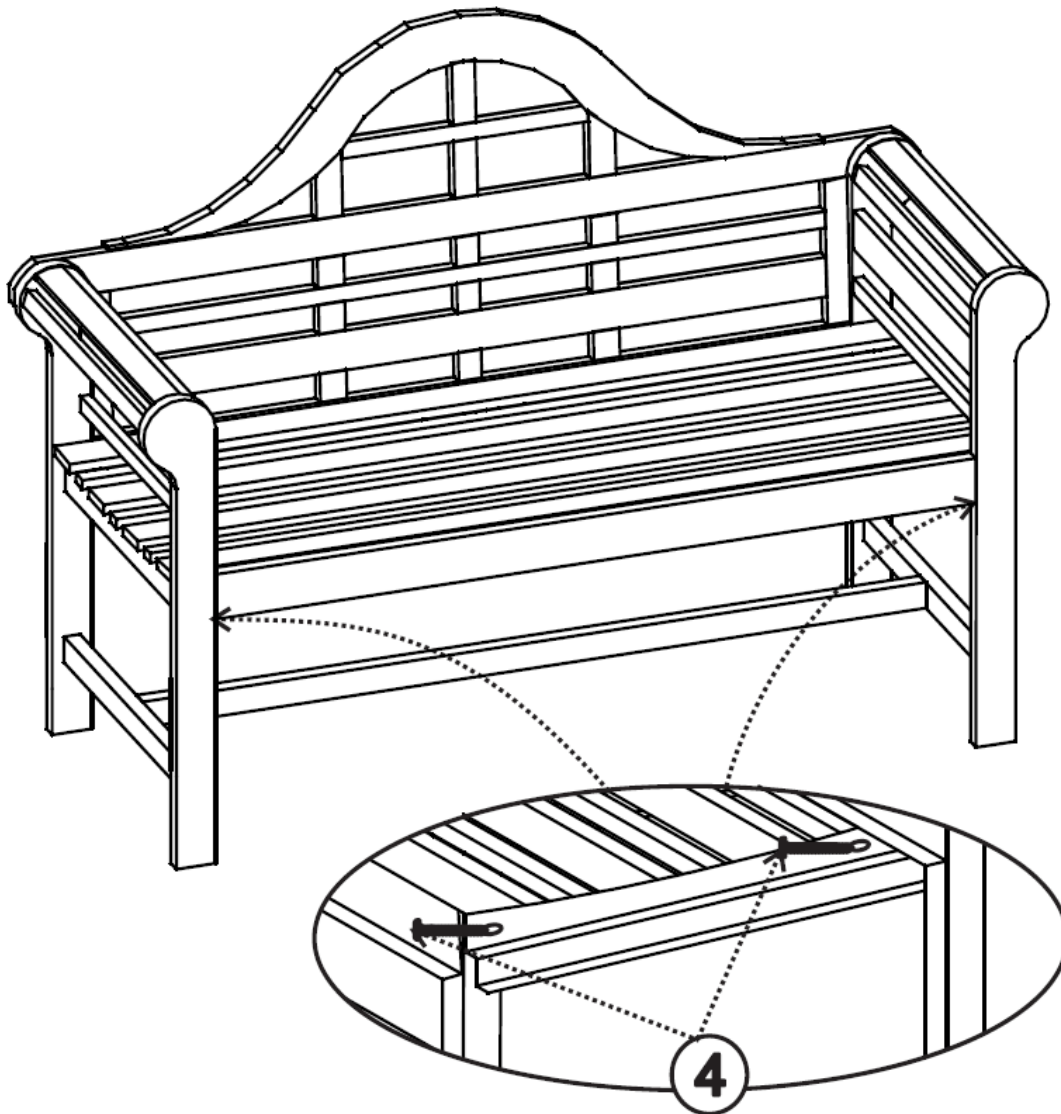
Use two Bolts/Barrel Nuts (1), two Long Screws (2), and one Medium Screw (3) and Hex Wrench (5) to loosely attach the Leg (A) to the Back (C), Seat Cross Bar (D) and Leg Cross Bar (E). Insert Seat (B)



**Step 3:**

From the underside of the Seat, use four Short Screws (4) with the Hex Wrench to loosely attach the Seat to the Legs.

Use the Hex Wrench to fully tighten all bench hardware.



### **Post-Assembly Instructions:**

- Periodically check hardware to be sure it does not loosen over time.
- Do not stand on this item.

### **Outdoor Furniture Care Tips:**

With the proper care, your premium eucalyptus furniture can last up to 25 years or more. Our eucalyptus outdoor furniture is available in 3 different finishes. Our Natural oil and espresso finishes are a transparent oil finish designed to let the beautiful grain of the eucalyptus show through. Our driftwood gray finish is a painted distressed finish made to look like weathered eucalyptus. Like any investment care and maintenance play an important role in how well and how long your Eucalyptus furniture will last. There are several ways to care for your Eucalyptus furniture depending on the finish and the look that you want.

### **Oil Finished Eucalyptus Furniture Care:**

To maintain the color and finish of your Eucalyptus furniture it is possible to preserve the look with a little care.

- Clean your furniture using a soft bristle brush and mild soap and water. You may also clean it with a teak cleaner. Rinse well with clean water after washing.
- Do not use a power washer as it can damage the surface of your furniture causing it to splinter.
- Do not use steel wool or brass wool it is too abrasive and can leave a residue that will leave rust spots on your furniture.
- Furniture with an oil finish can be treated annually with a Teak sealer to help seal in the natural eucalyptus oils and protect it further from the elements. The sealer also provides UV protection and will help maintain the finish.
- Furniture with an oil finish can also be treated with a good quality Teak Oil if you do not want to use a sealer. Teak oil can be applied as often as needed depending on how much exposure to the elements your furniture receives. Teak Oil will restore the shine from the oil finish and help retain the golden color of the furniture.
- We recommend you protect your furniture in the offseason by using good quality furniture cover. It helps keep your furniture clean and protects it from the elements and minimizes annual maintenance.

### **Painted Outdoor Eucalyptus Furniture Care:**

To maintain the color and painted finish of your Eucalyptus furniture it is possible to preserve the look with a little care.

- Brush off any loose dirt or debris with a soft brush and wipe down with a mild detergent and water. Rinse well with clean water after washing.
- Do not use a power washer as it can damage the surface of your furniture causing it to splinter.
- Do not use steel wool or brass wool it is too abrasive and can leave a residue that will leave rust spots on your furniture.

- We recommend you protect your furniture in the offseason by using good quality furniture cover. It helps keep your furniture clean and protects it from the elements and minimizes annual maintenance.

### **Natural Weathered Eucalyptus Furniture Care:**

Exposed to the elements eucalyptus will acquire a silver-gray patina. To obtain the patina leave the furniture outdoors in the sunlight without treating it with a teak sealer or teak oil and it will begin to develop the silver-gray patina. During the weathering process, a slight lifting of the grain may occur, and you may even see a few cracks. This is not considered a defect, but a natural process of the wood expanding and contracting.

To care for Weathered Eucalyptus:

- Lightly sand the surface of the furniture with 150 or 180 grit sandpaper once a year to remove any fuzziness that occurs due to exposure to the elements. Be sure to sand lightly to retain the natural patina.
- Clean as needed with a soft bristle brush and mild soap and water. You may also clean it with a teak cleaner. Rinse well with clean water after washing.
- Do not use a power washer as it can damage the surface of your furniture causing it to splinter.
- Do not use steel wool or brass wool it is too abrasive and can leave a residue that will leave rust spots on your furniture.

We recommend you protect your furniture in the off season by using a using a good quality furniture cover. It helps keep your furniture clean and protects it from the elements thus minimizing annual maintenance.