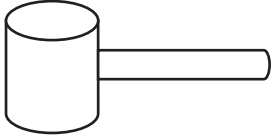


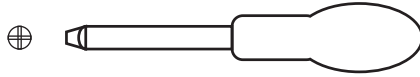
4 TIER CUBES

INSTRUCTION MANUAL

REQUIRED ASSEMBLY TOOLS



SOFT RUBBER HAMMER (Not Provided)

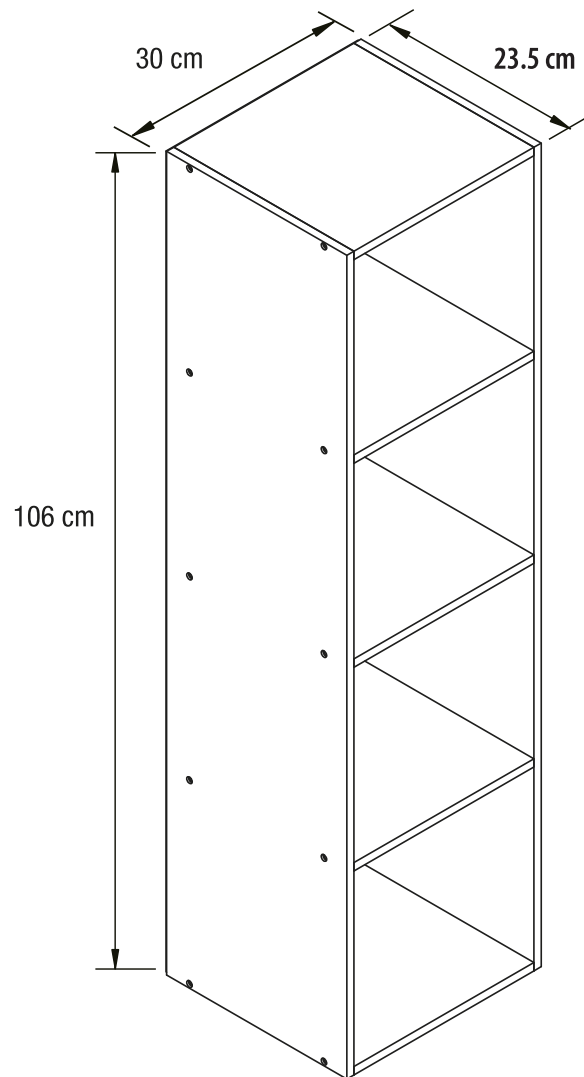


POZI SCREWDRIVER (Not Provided)



MEASURING TAPE (Not Provided)

ASSEMBLED DIMENSIONS



MAXIMUM
LOADING: 20KG

1-5

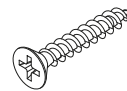
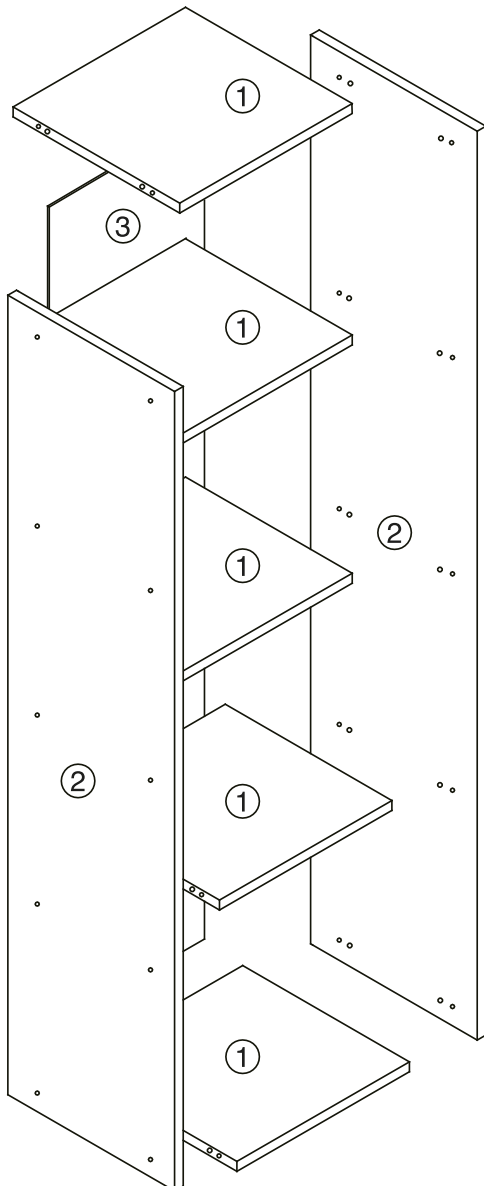
Made in China

4 TIER CUBES

INSTRUCTION MANUAL

NO.	PART LIST	QTY	NO.	PART LIST	QTY
(1)	SHELF	5	(A)	SCREW	21
(2)	LEFT/RIGHT SIDE PANEL	2	(B)	WOODEN DOWEL	20
(3)	BACK SIDE PANEL	1	(C)	VIS	20
			(D)	SCREW COVER STICKER	20

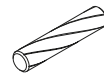
ITEM LIST



A x 21



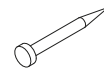
E x 1



B x 20



F x 1



C x 20



G x 1



D x 20

MAXIMUM
LOADING: 20KG

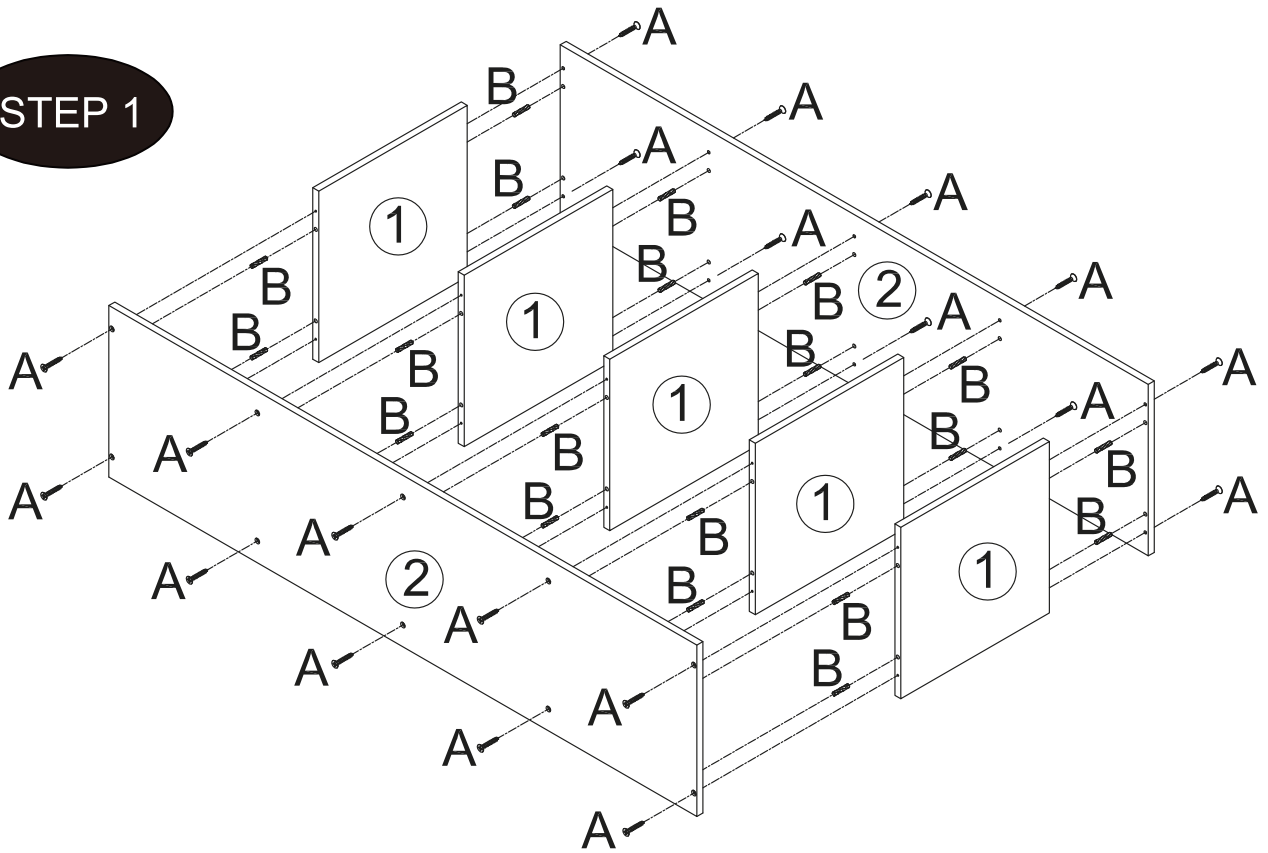
2-5

Made in China

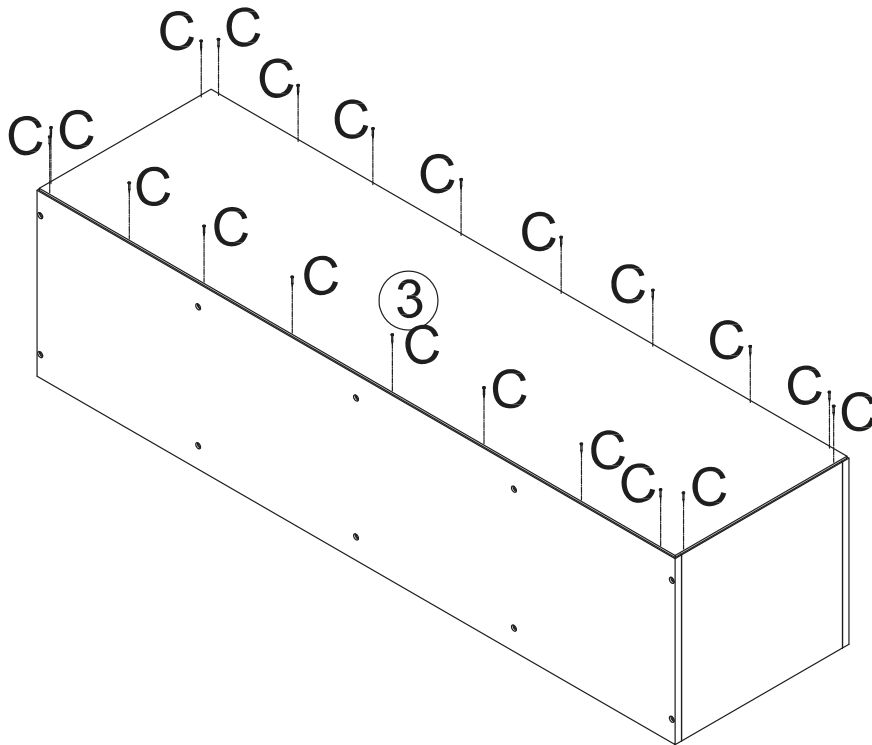
4 TIER CUBES

INSTRUCTION MANUAL

STEP 1



STEP 2



MAXIMUM
LOADING: 20KG

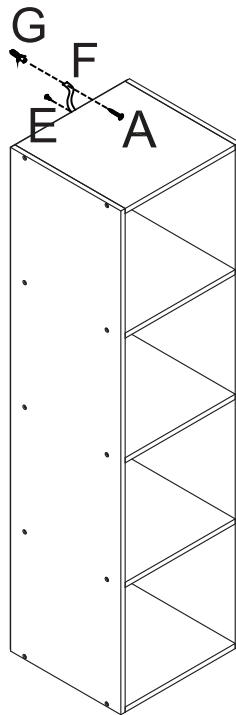
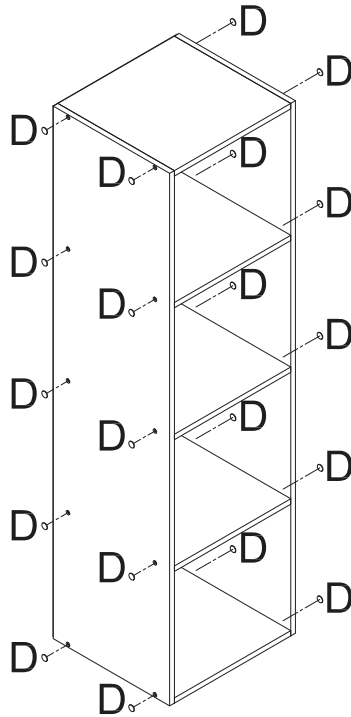
3-5

Made in China

4 TIER CUBES

INSTRUCTION MANUAL

STEP 3



MAXIMUM
LOADING: 20KG

4-5

Made in China

4 TIER CUBES

INSTRUCTION MANUAL



Safety Advice and Care Advice

KEEP ALL THE SAFETY ADVICE AND INSTRUCTIONS IN A SAFE PLACE FOR FUTURE REFERENCE!



WARNING! RISK OF LOSS OF LIFE OR ACCIDENT

TO INFANTS AND CHILDREN! Never leave children unsupervised with the packaging materials. Danger of suffocation.



CAUTION! RISK OF INJURY! Make sure that all parts are undamaged and assembled correctly. Improper assembly carries a risk of injury. Damaged parts may affect the safety and function of the product.

- Make sure that this product is standing on a solid, level surface.

CAUTION! Do not leave children unsupervised! The product is not a climbing frame or a toy! Make sure that nobody, especially a child, climbs on or leans against the product.

- Distribute weight evenly across the product so that it cannot overturn.
- Do not load more than a total of 20kg onto the product, otherwise there is a risk of injury and/or damage to the product.
- Check that the product is stable before using it.
- Do not lift or move the product when it is loaded.
- Keep away from fire and inflammable objects.
- **Wipe clean with a damp cloth.**
- Make sure that all screws and fixings are secure before use.
- Do not place very hot or very cold items on the surface(s) unless adequately thick table mats are used.
- Please periodically check all fittings and re-tighten as necessary.
- Domestic use only.