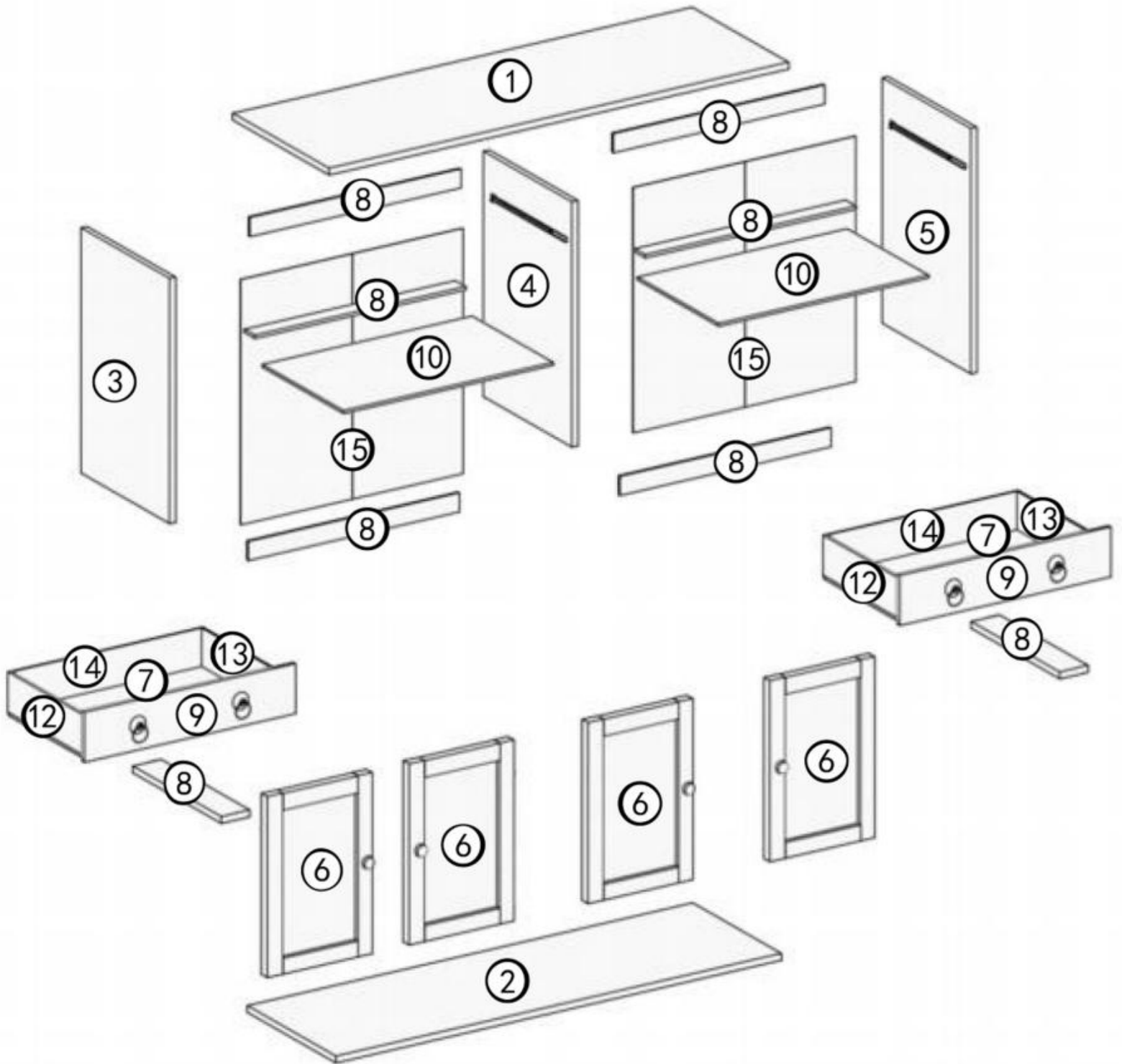


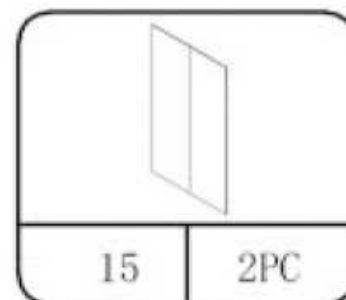
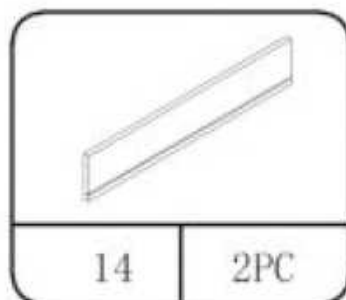
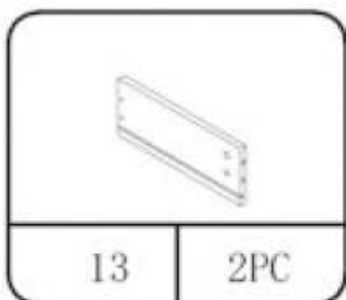
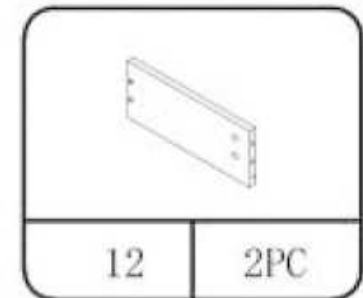
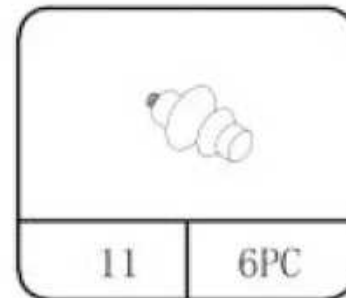
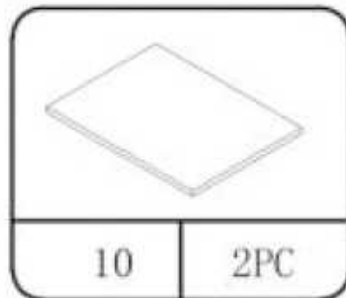
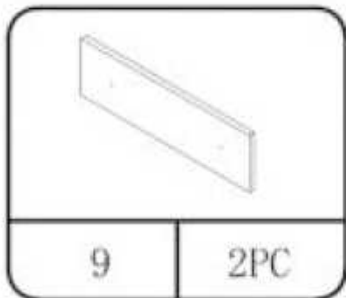
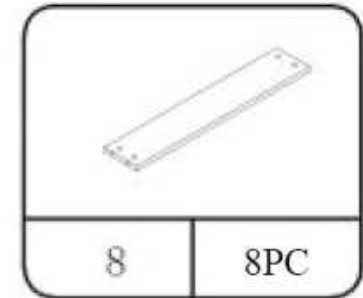
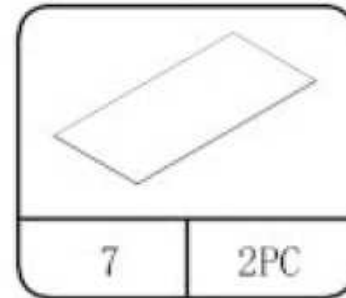
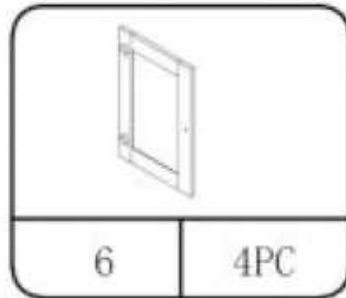
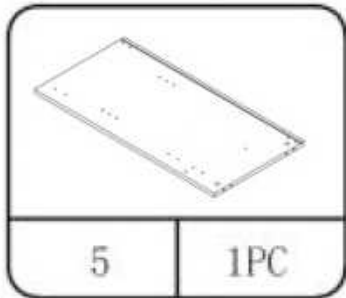
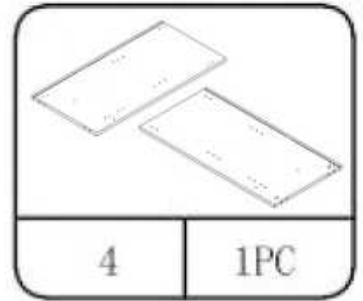
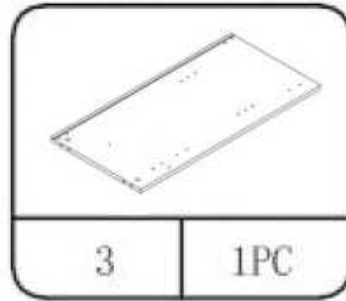
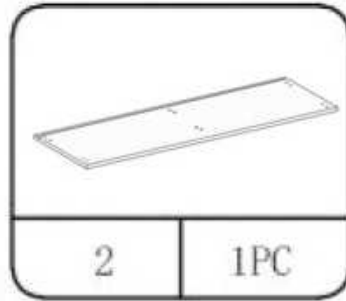
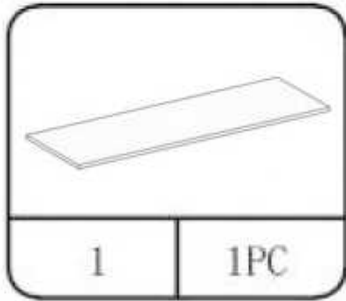
**USER'S MANUAL
SIDEBOARD
SKU:KD003401**

NOTE: THIS INSTRUCTION
BOOKLET CONTAINS **IMPORTANT**
SAFETY INFORMATION

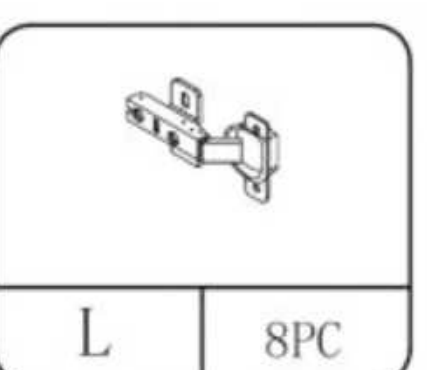
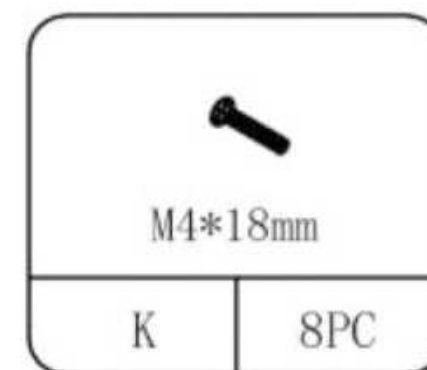
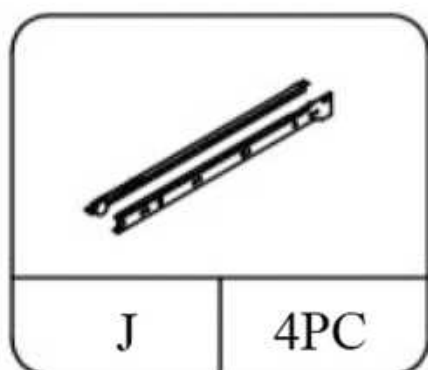
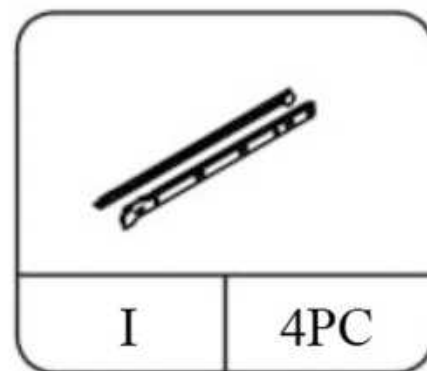
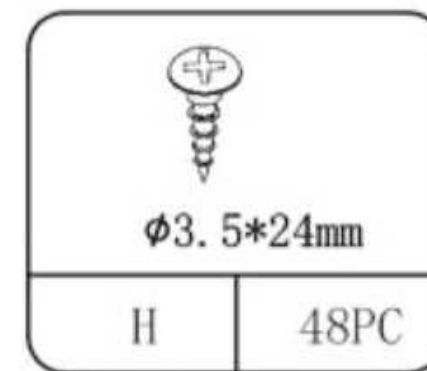
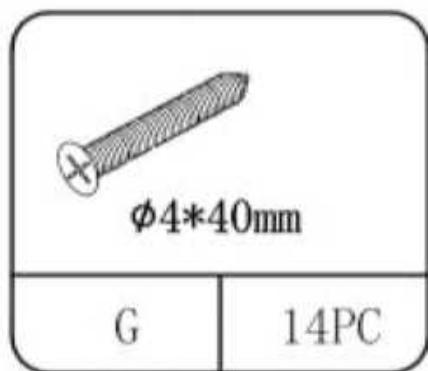
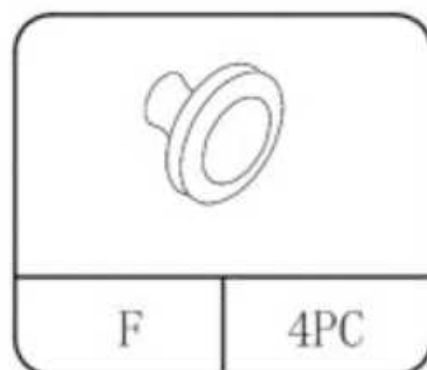
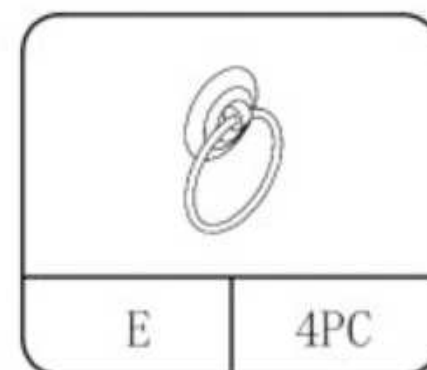
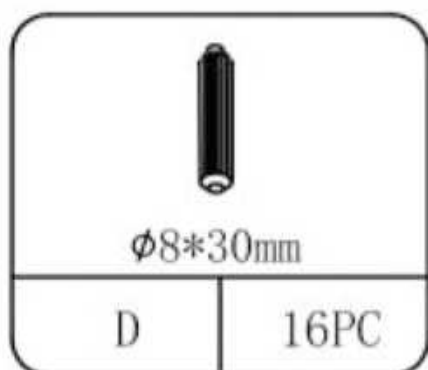
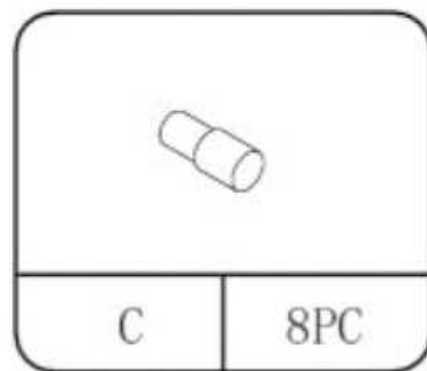
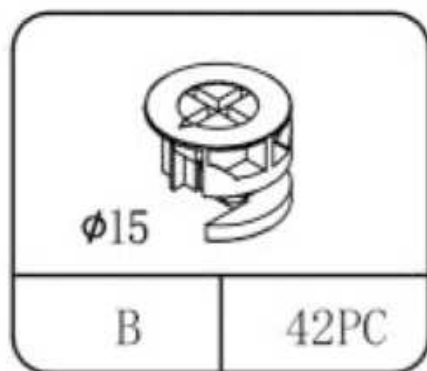
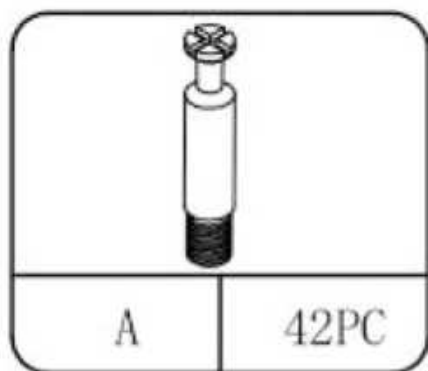
BOARD IDENTIFICATION



Part List



Hardware List

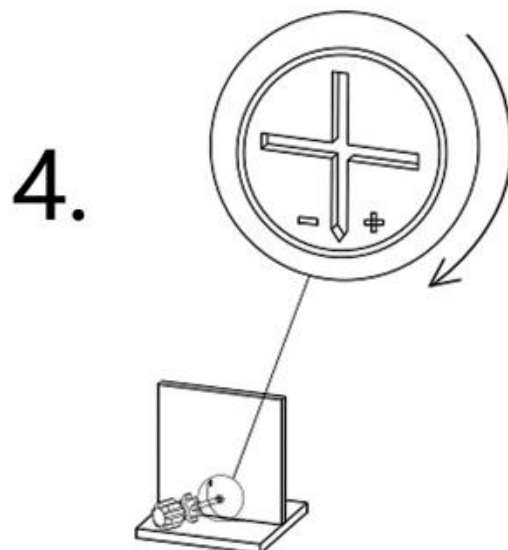
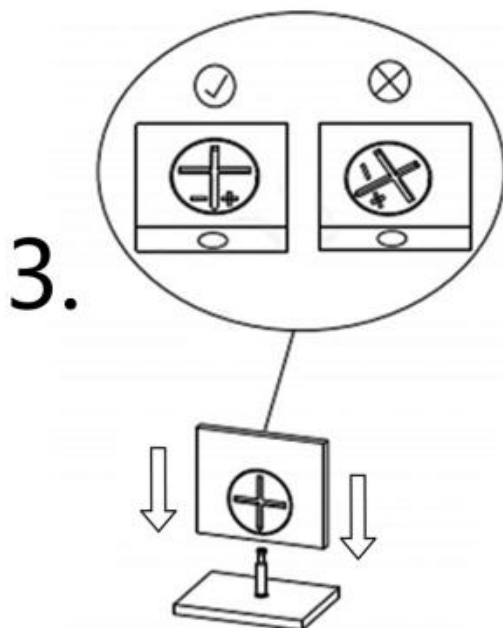
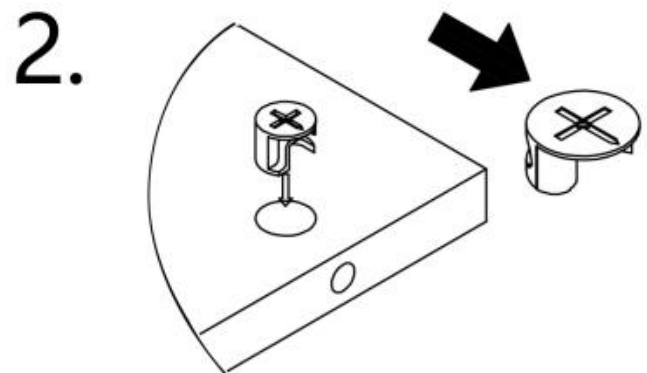
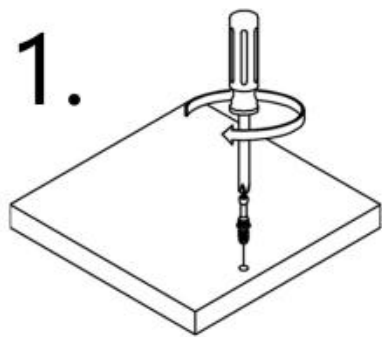


Before you install

- ✓ Classify and check all your parts and hardware
- ✓ Read each step carefully and follow the correct order
- ✓ Give yourself enough room for the assembly process

Caution: If using a power drill for screwing, please be aware to slowdown and stop when screw is tight.
Failure to do so may result in stripping the screw.

If moving the cabinet, please must be team lifted it instead drag. Failure to do so may result in leg drop.



NOTE

Adjustment - Réglage - Türeinrichtungen - Ajuste - Ajuste - Regolazione

Vertical Adjustment: Up & Down

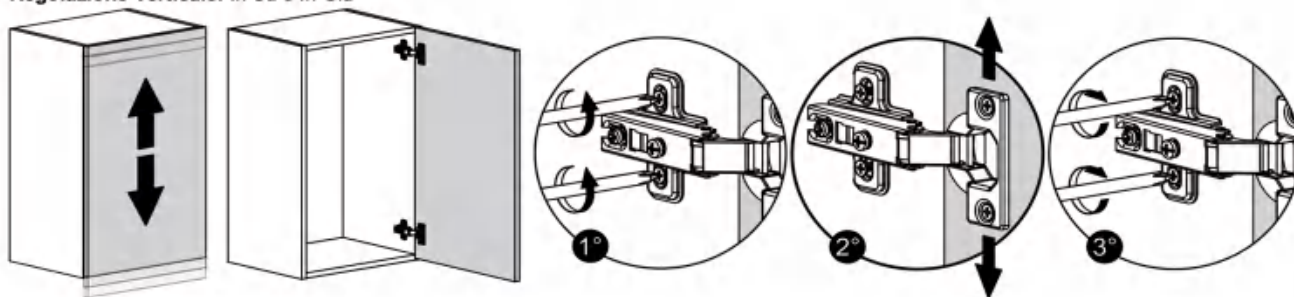
Réglage Vertical: Haut et Bas

Vertikale Einstellung: Hoch und Runter

Ajuste Vertical: Arriba y Abajo

Ajuste Vertical: Para Cima e para Baixo

Regolazione Verticale: In Su e In Giù



Front Adjustment: In & Out

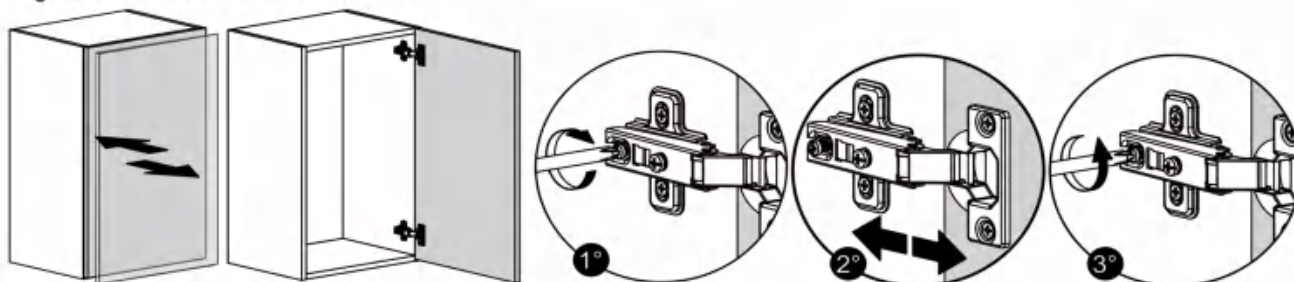
Réglage Avant: Dedans et Dehors

Vordere Einstellung: Nach Innen und Außen

Ajuste Frontal: Adentro y Afuera

Ajuste Frontal: Para Dentro e para Fora

Regolazione Frontale: Dentro e Fuori



Overlay Adjustment: Side to Side

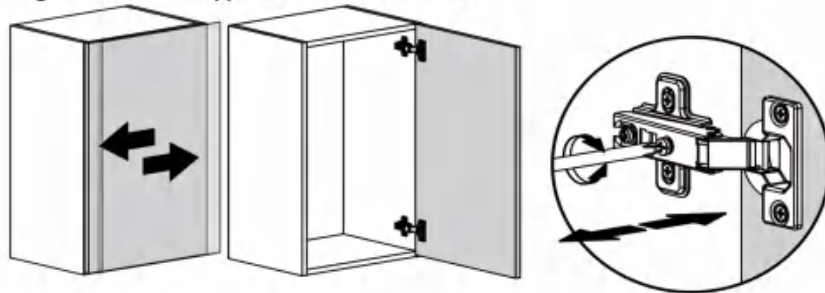
Réglage du Chevauchement: Cote à Cote

Einstellung der Überlappung: Seite an Seite

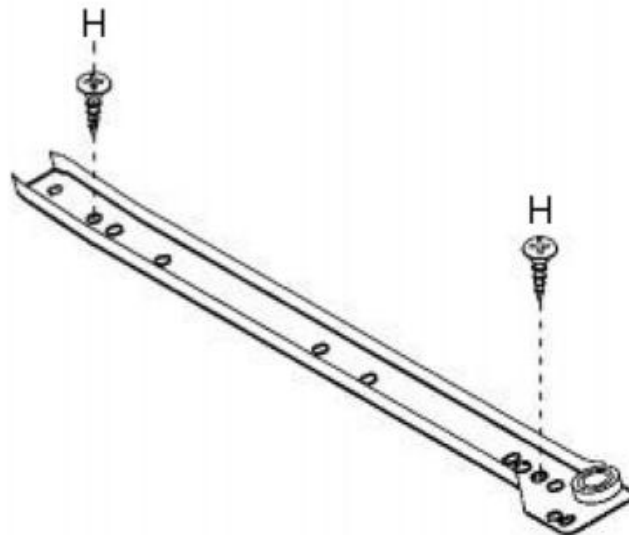
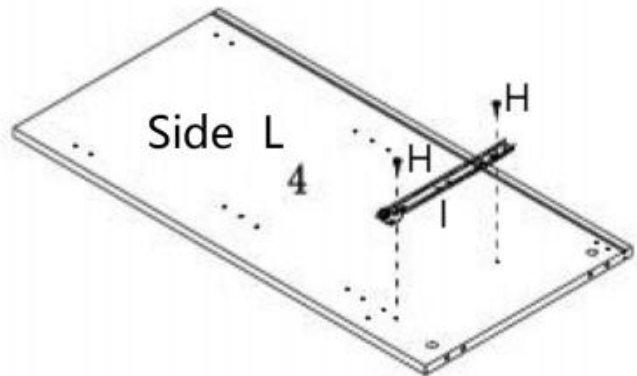
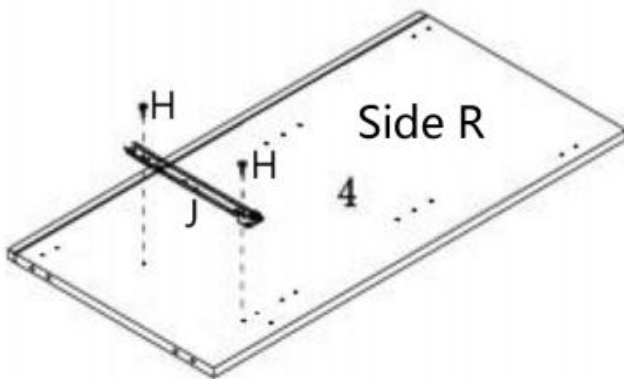
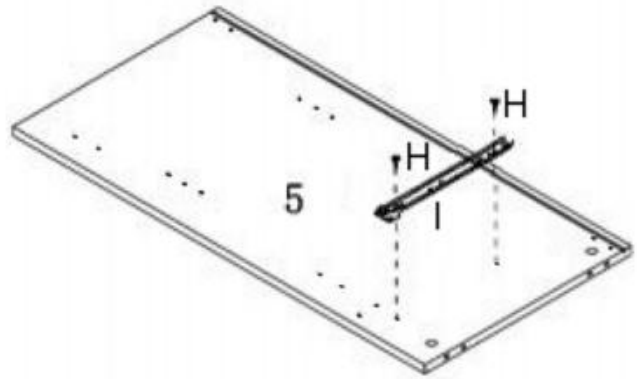
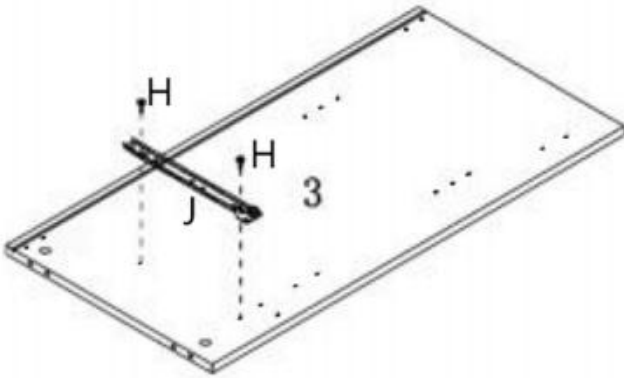
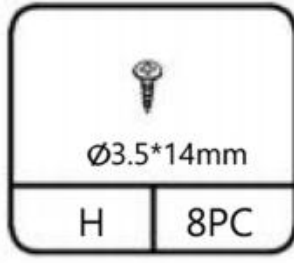
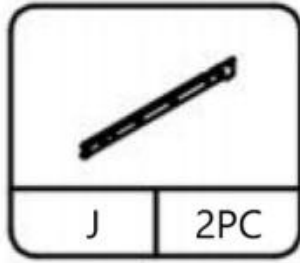
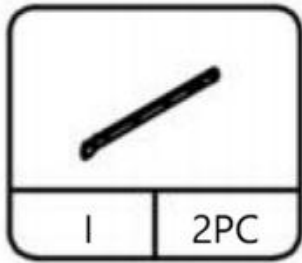
Ajuste de Superposición: De Lado a Lado

Ajuste de Sobreposição: Lado a Lado

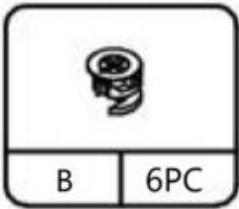
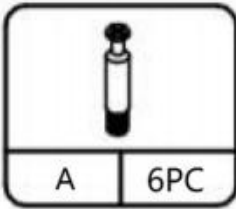
Regolazione di Sovrapposizione: Fianco a Fianco



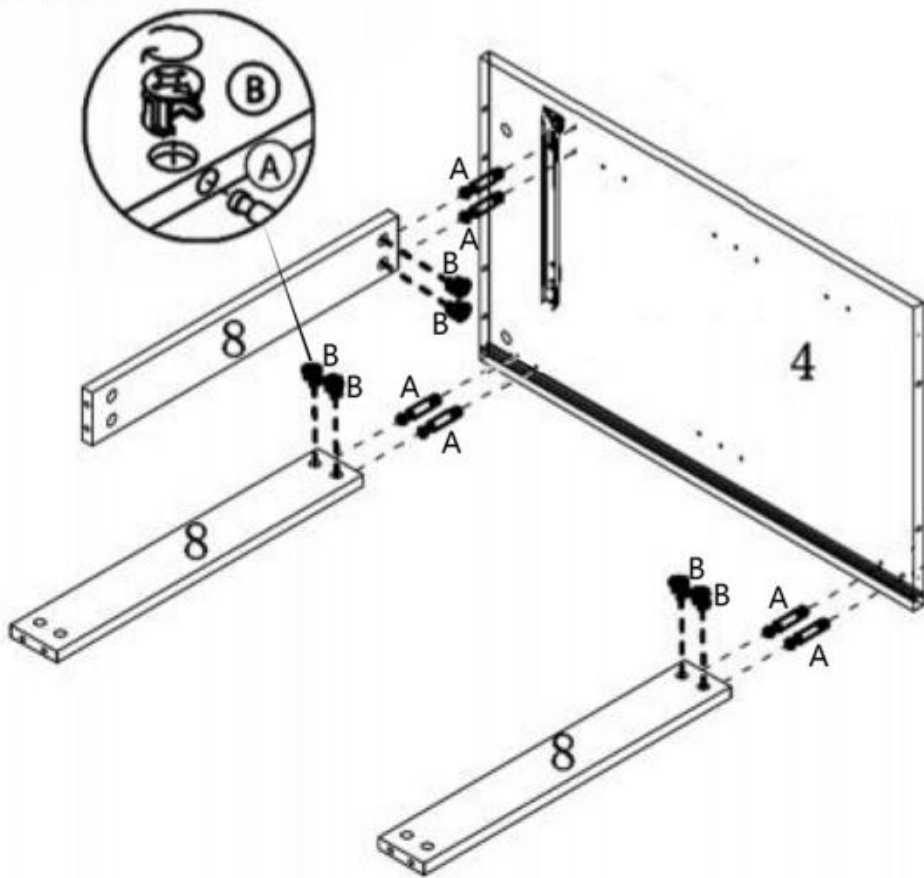
Step 1



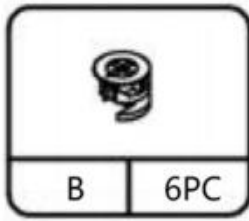
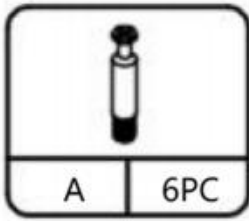
Step 2



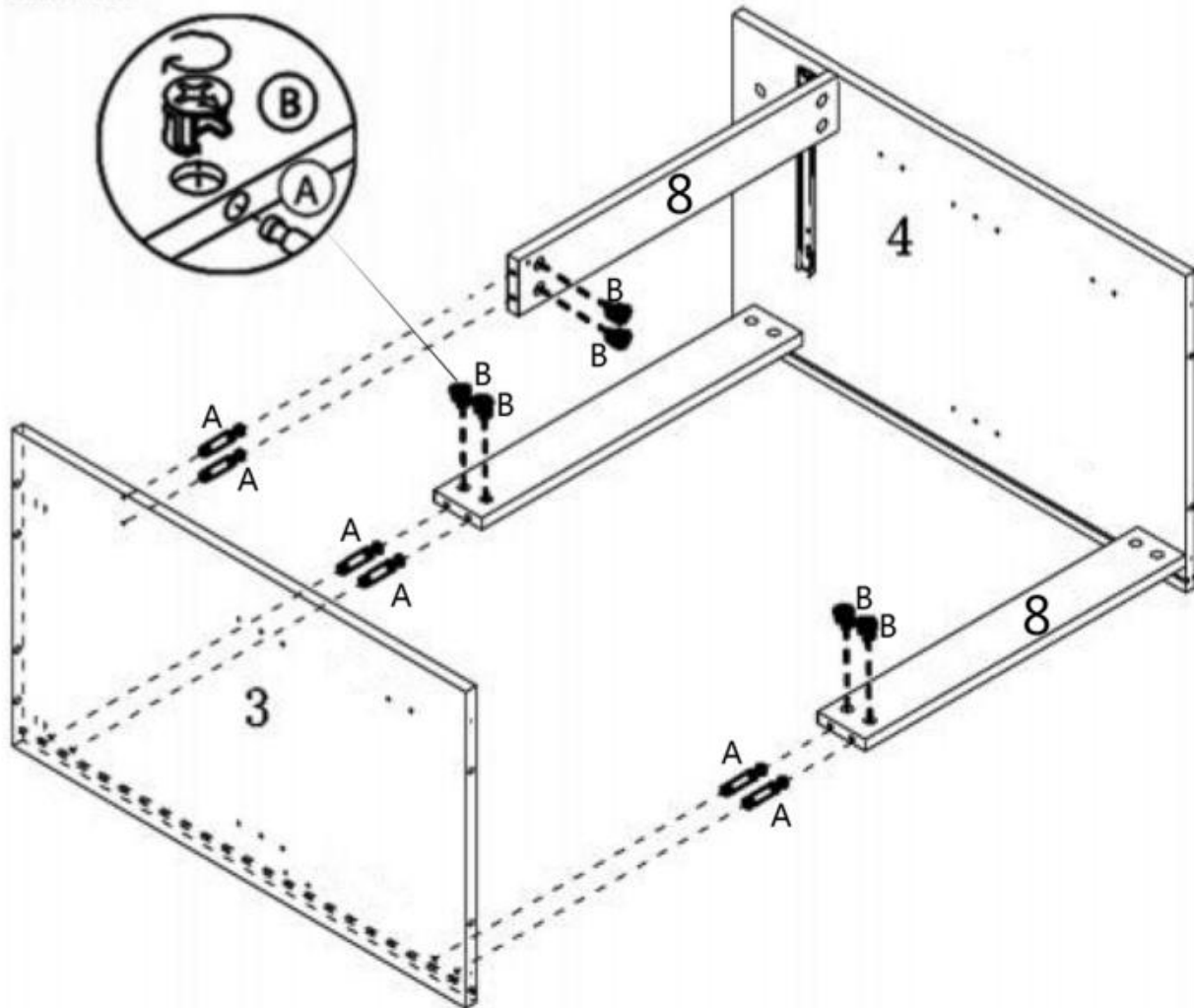
CAUTION:
Do not overtighten
cams.



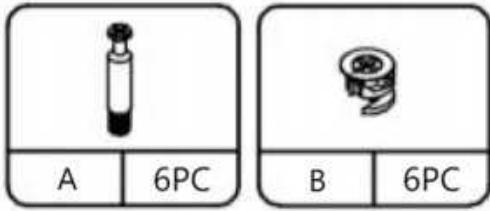
Step 3



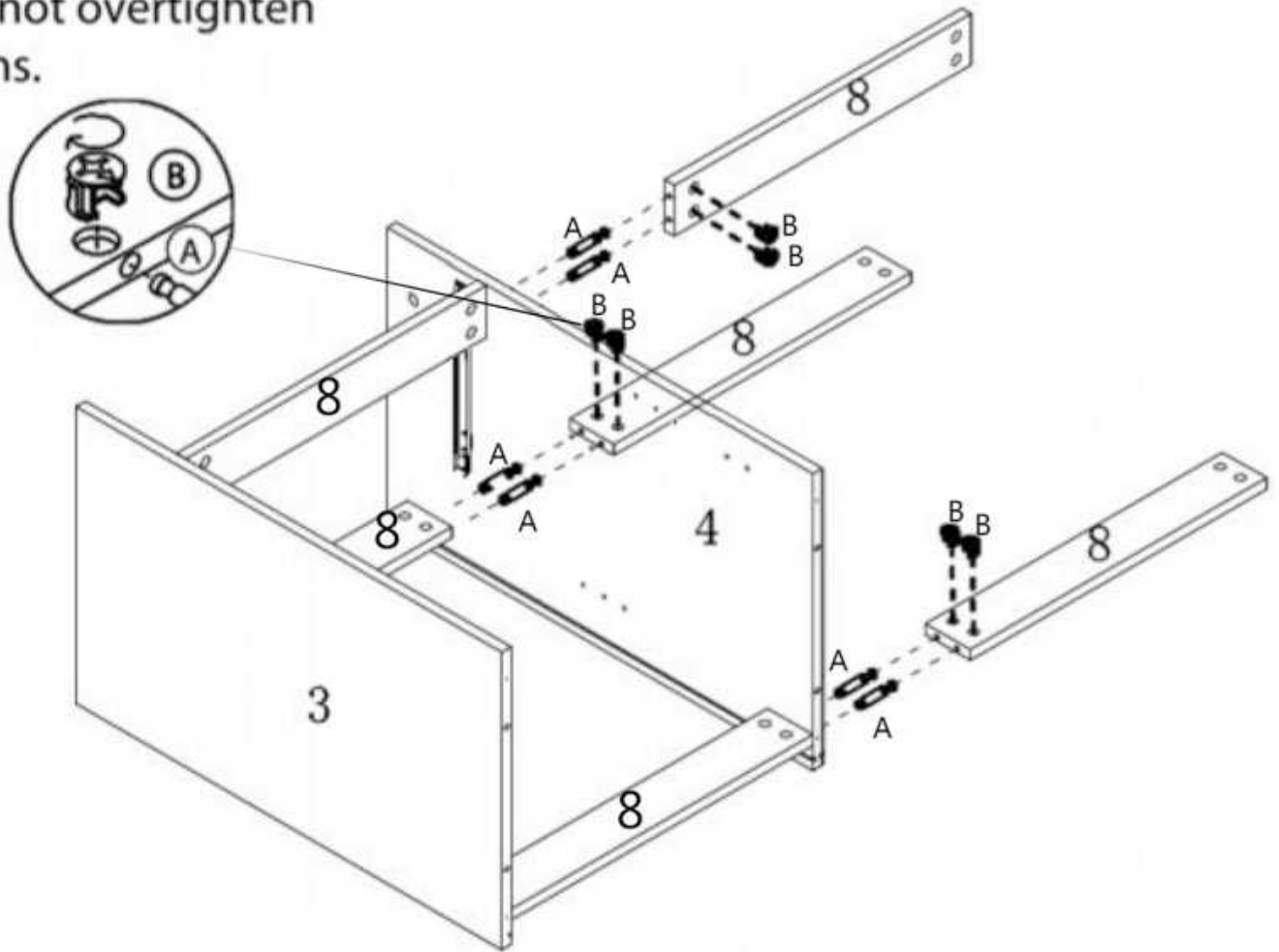
CAUTION:
Do not overtighten
cams.



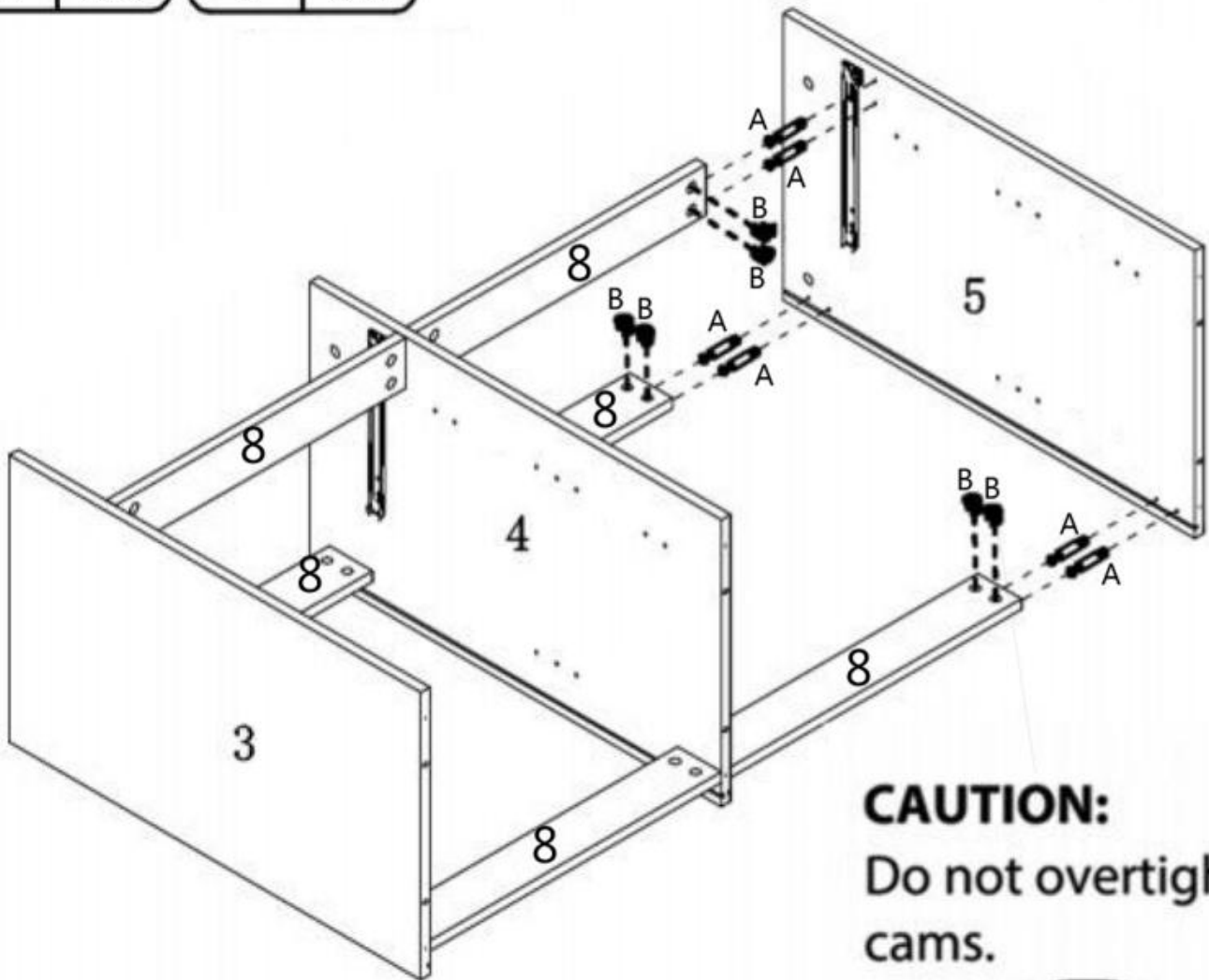
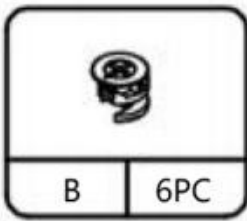
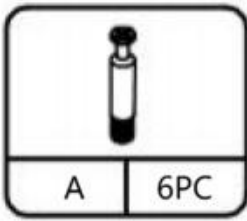
Step 4



CAUTION:
Do not overtighten
cams.



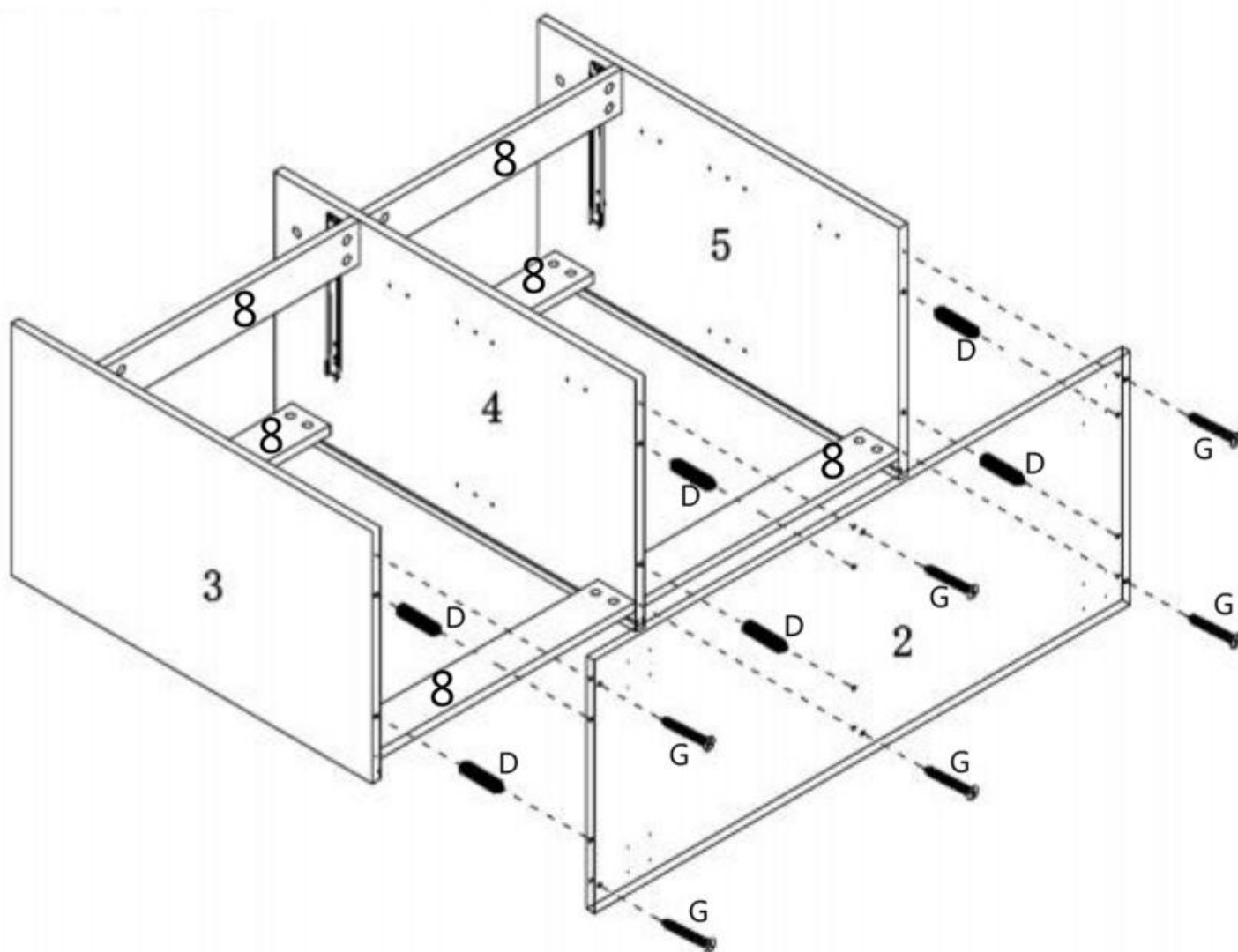
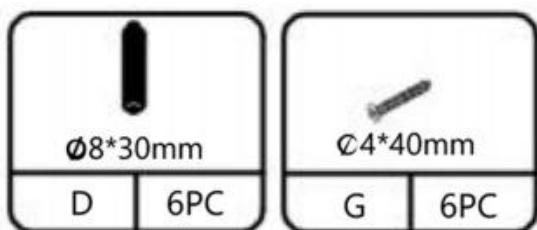
Step 5



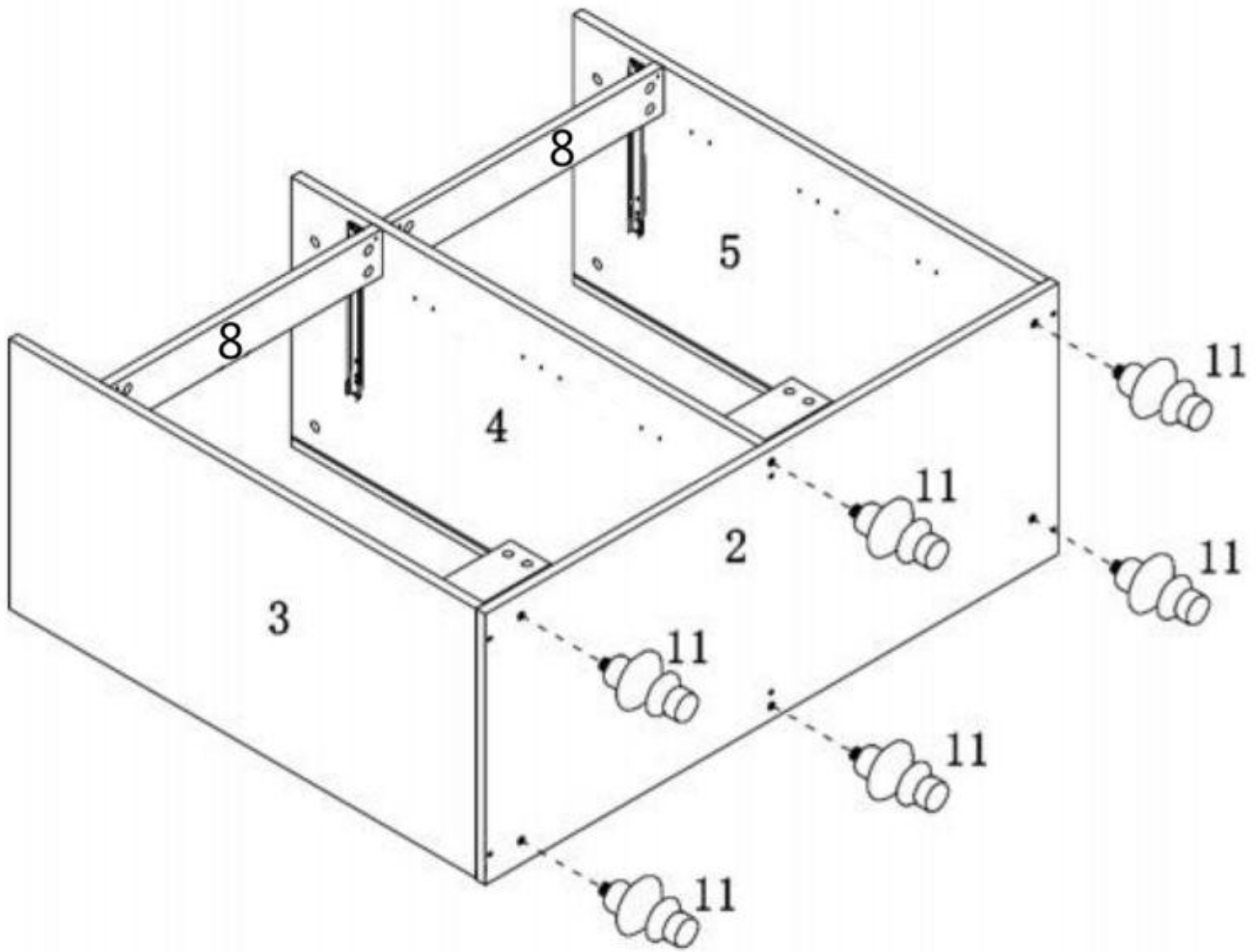
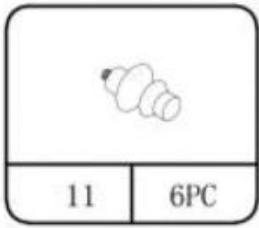
CAUTION:
Do not overtighten
cams.



Step 6

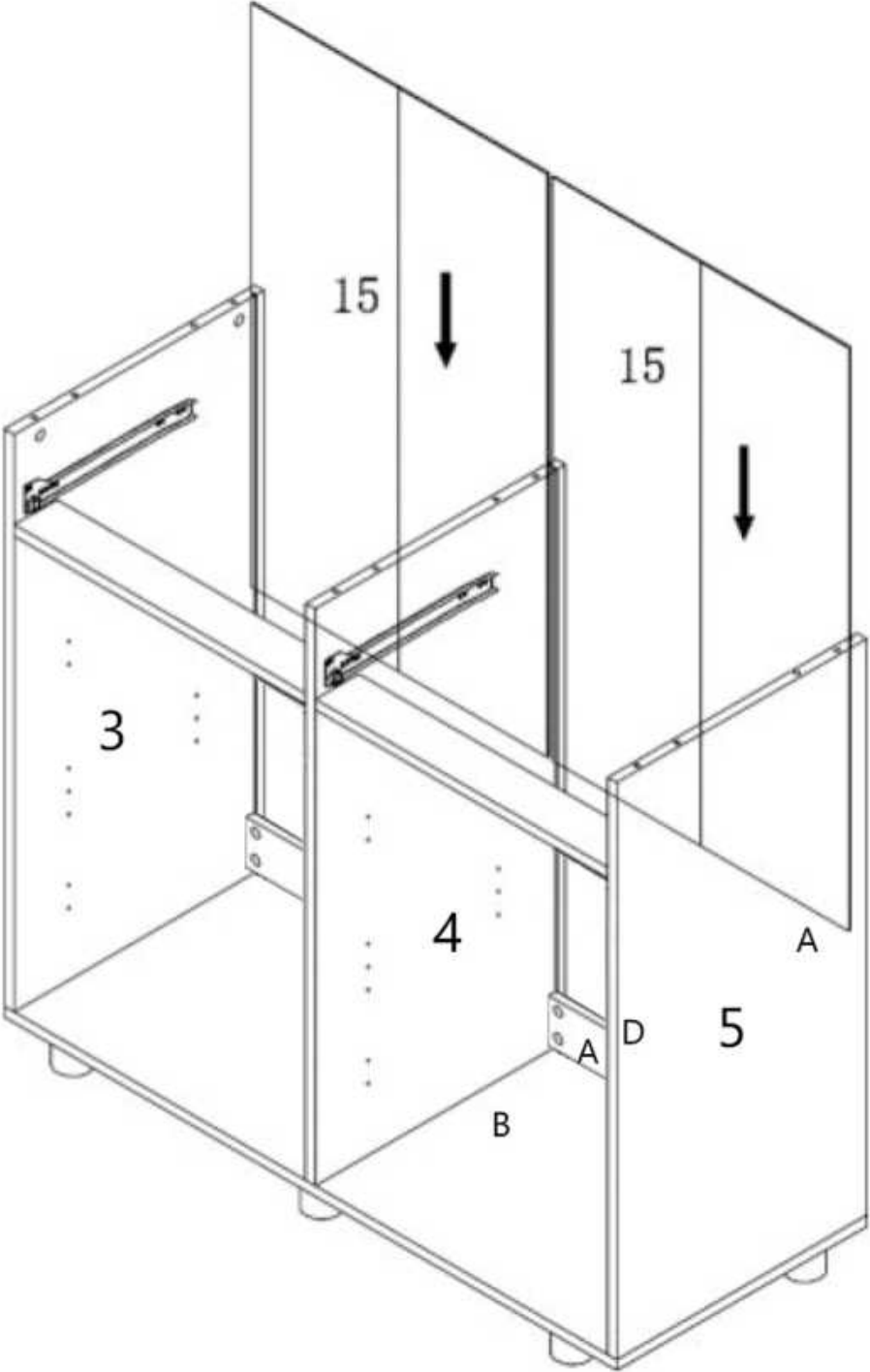


Step 7

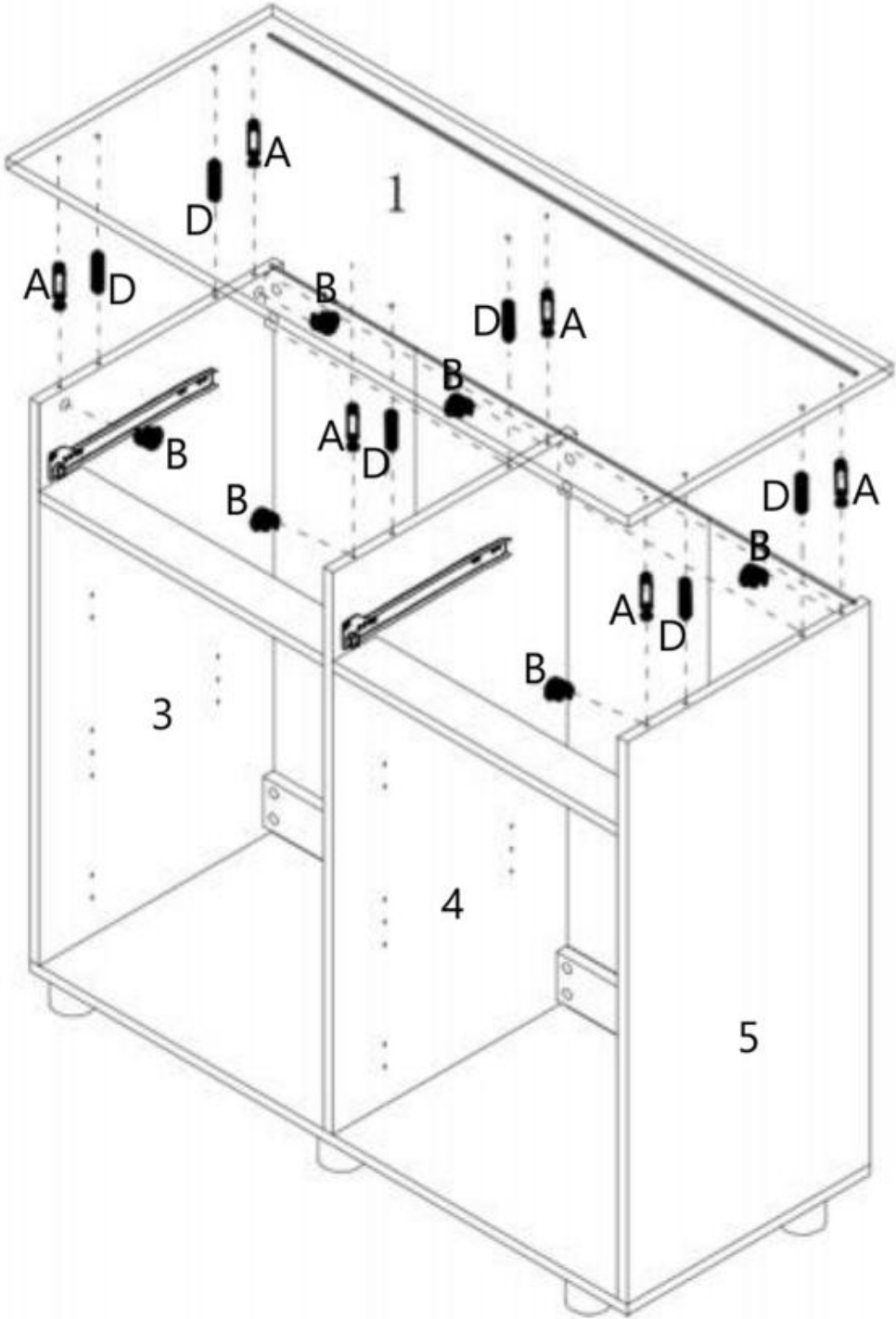
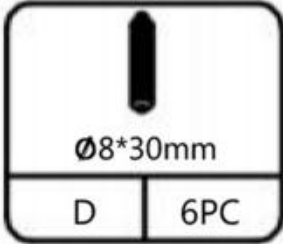
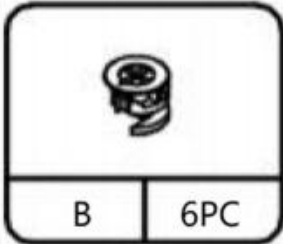
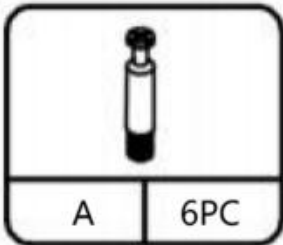


Note: When moving the cabinet, please make sure that lift it instead drag it.

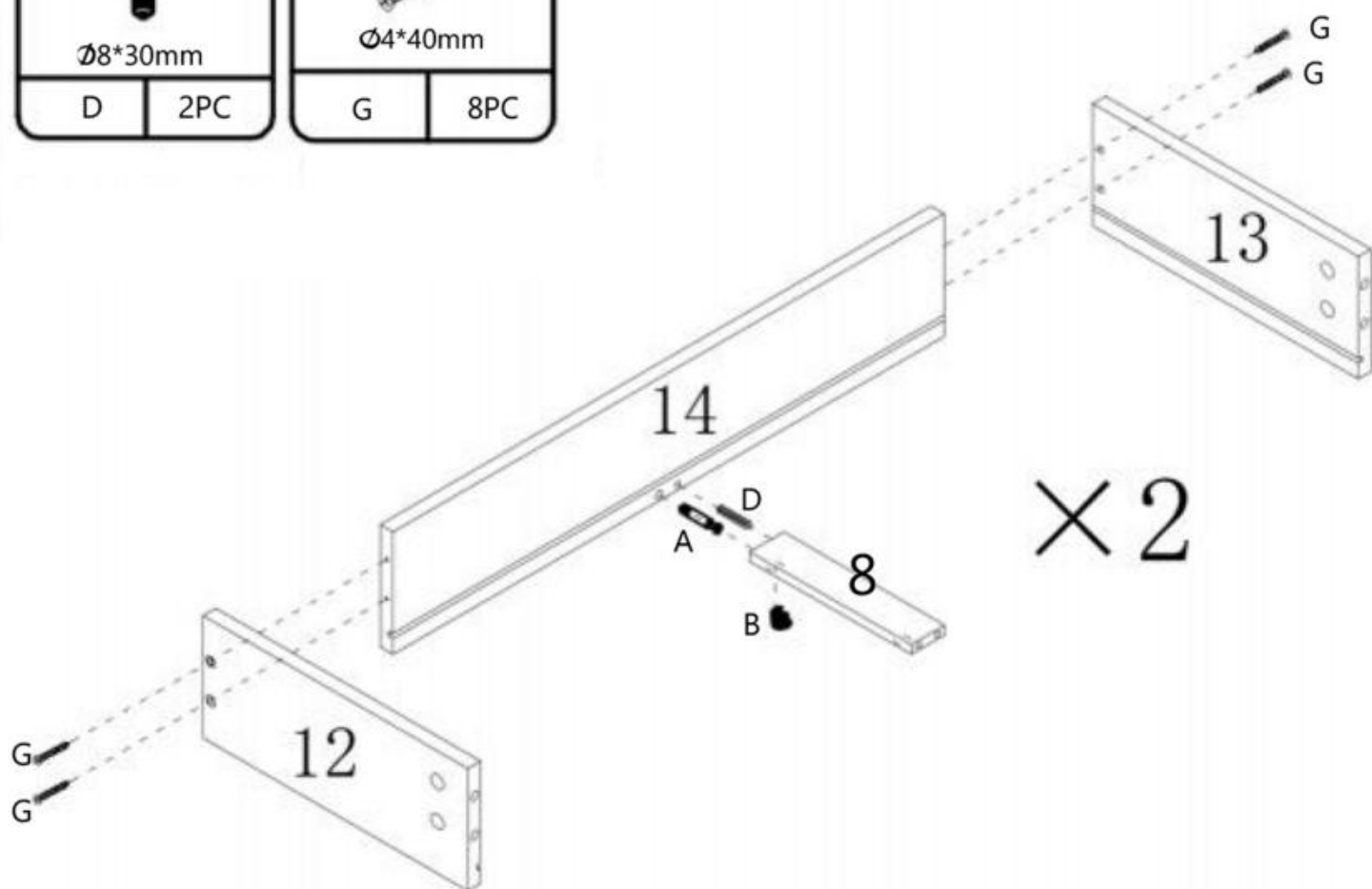
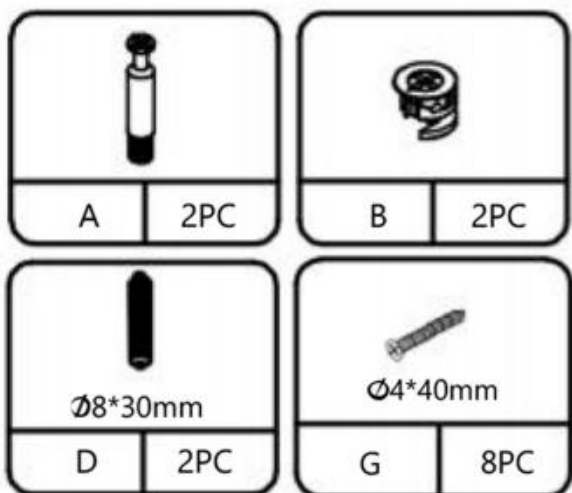
Step 8



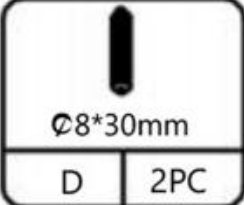
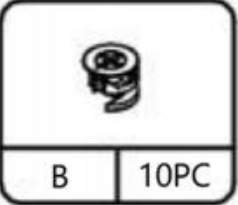
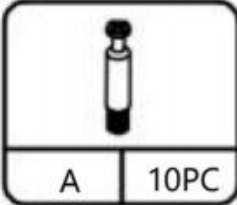
Step 9



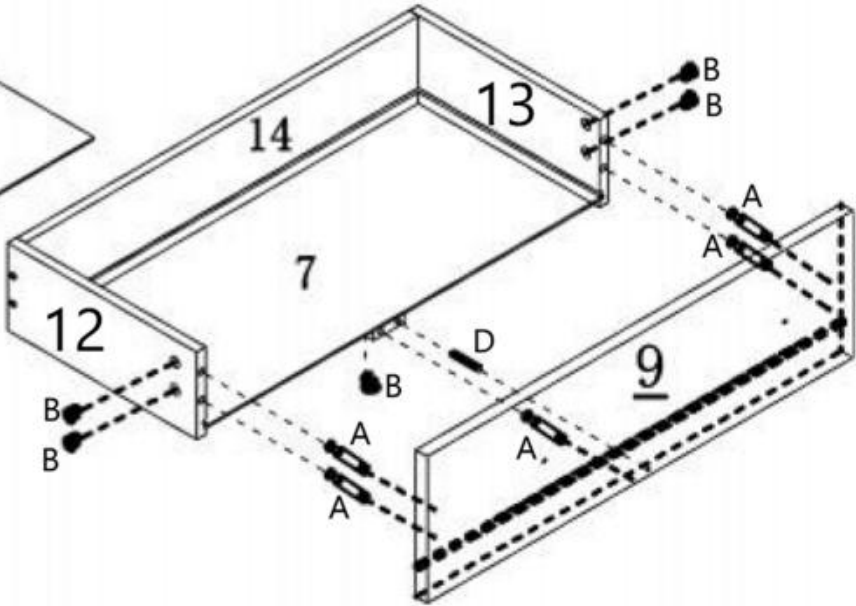
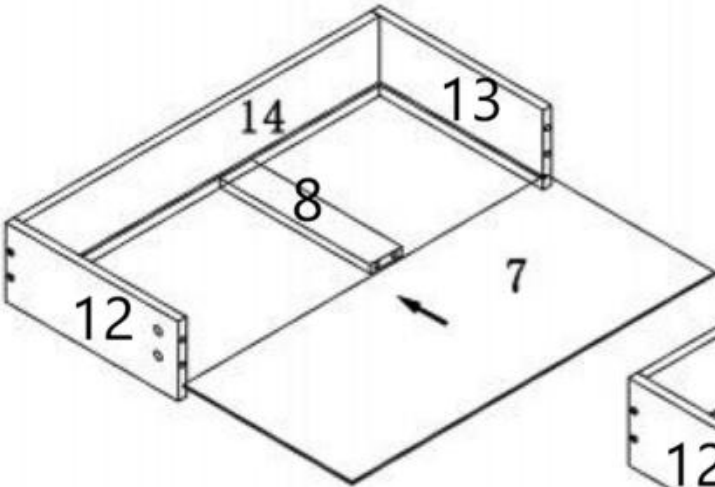
Step 11



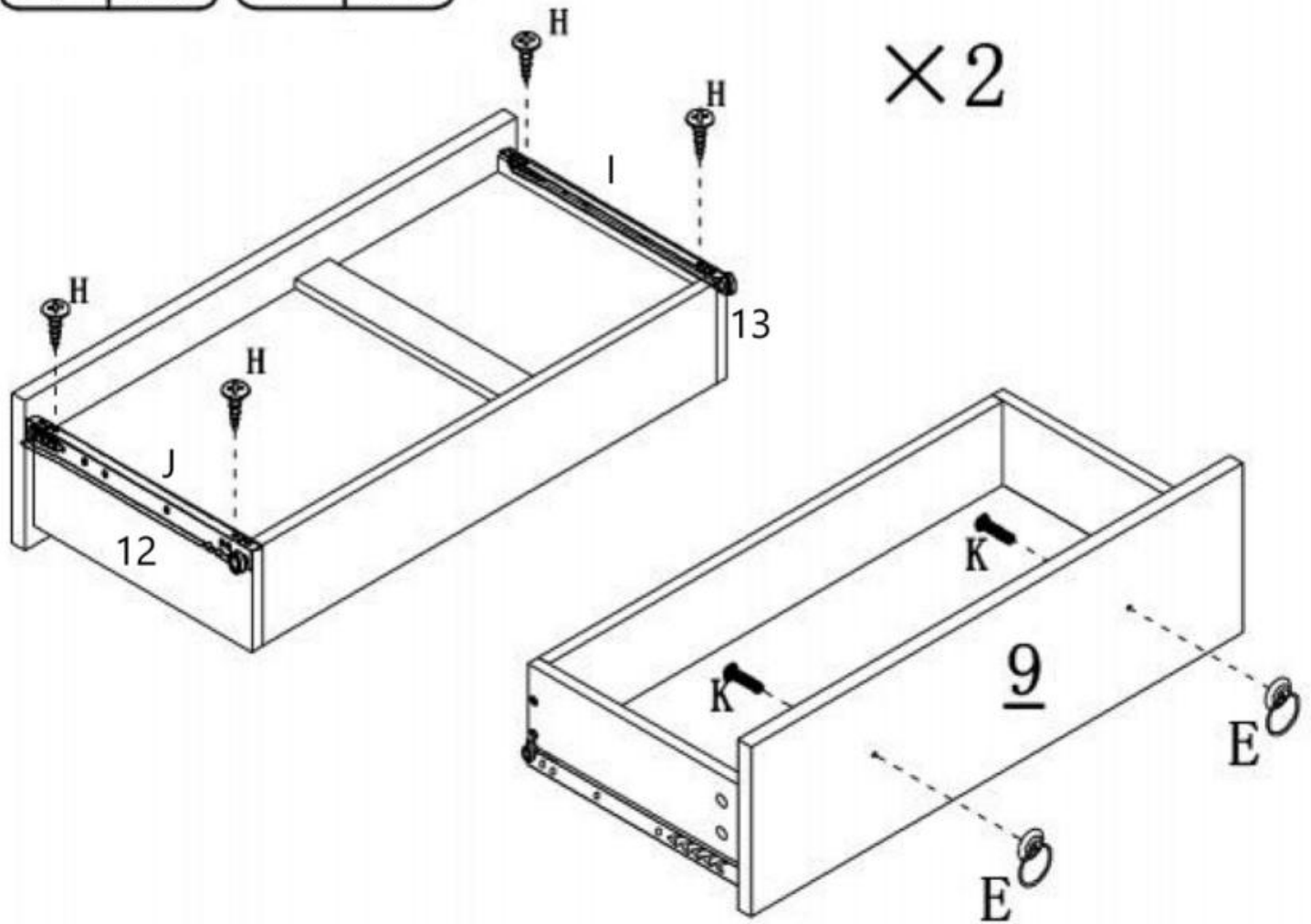
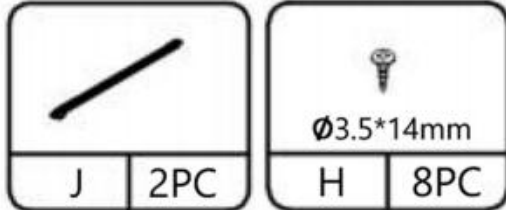
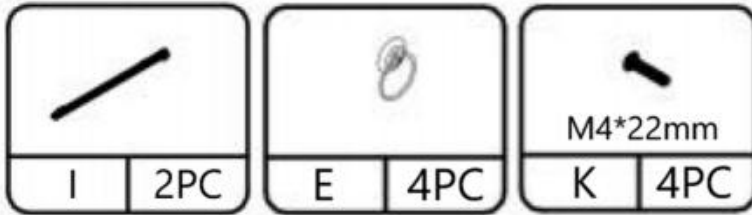
Step 12



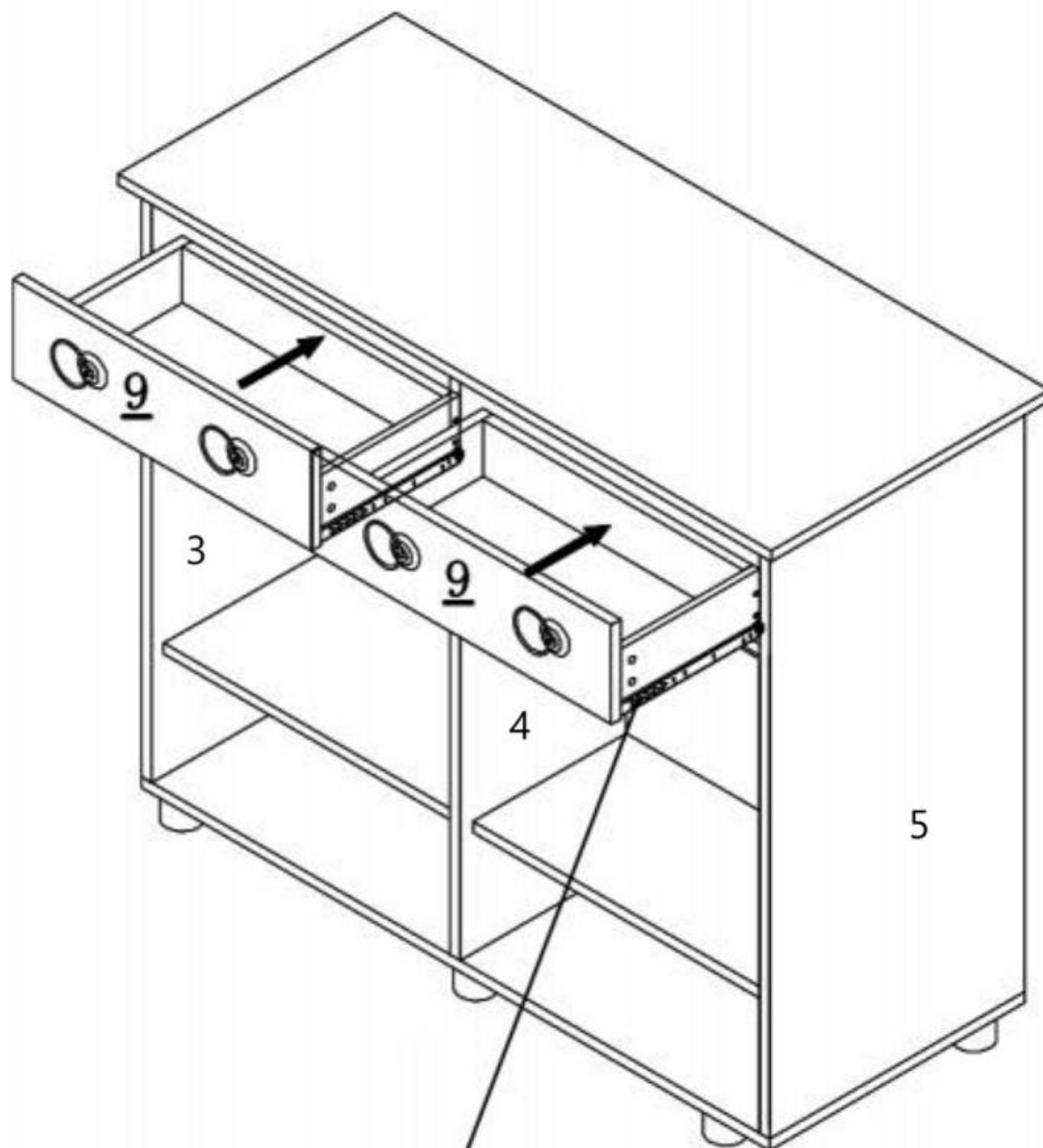
×2



Step 13

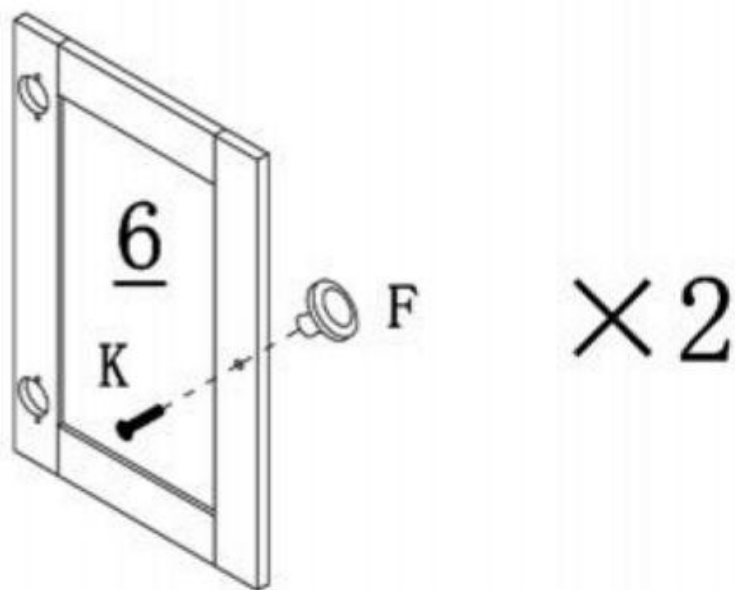
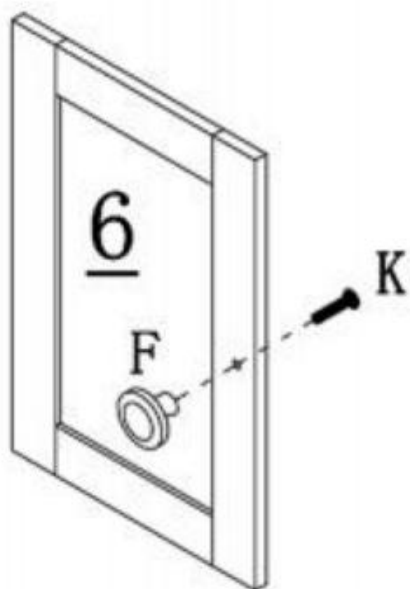
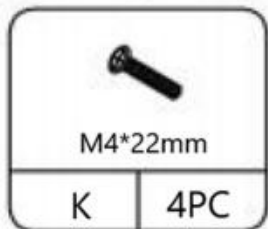
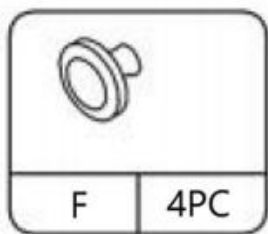


Step 14

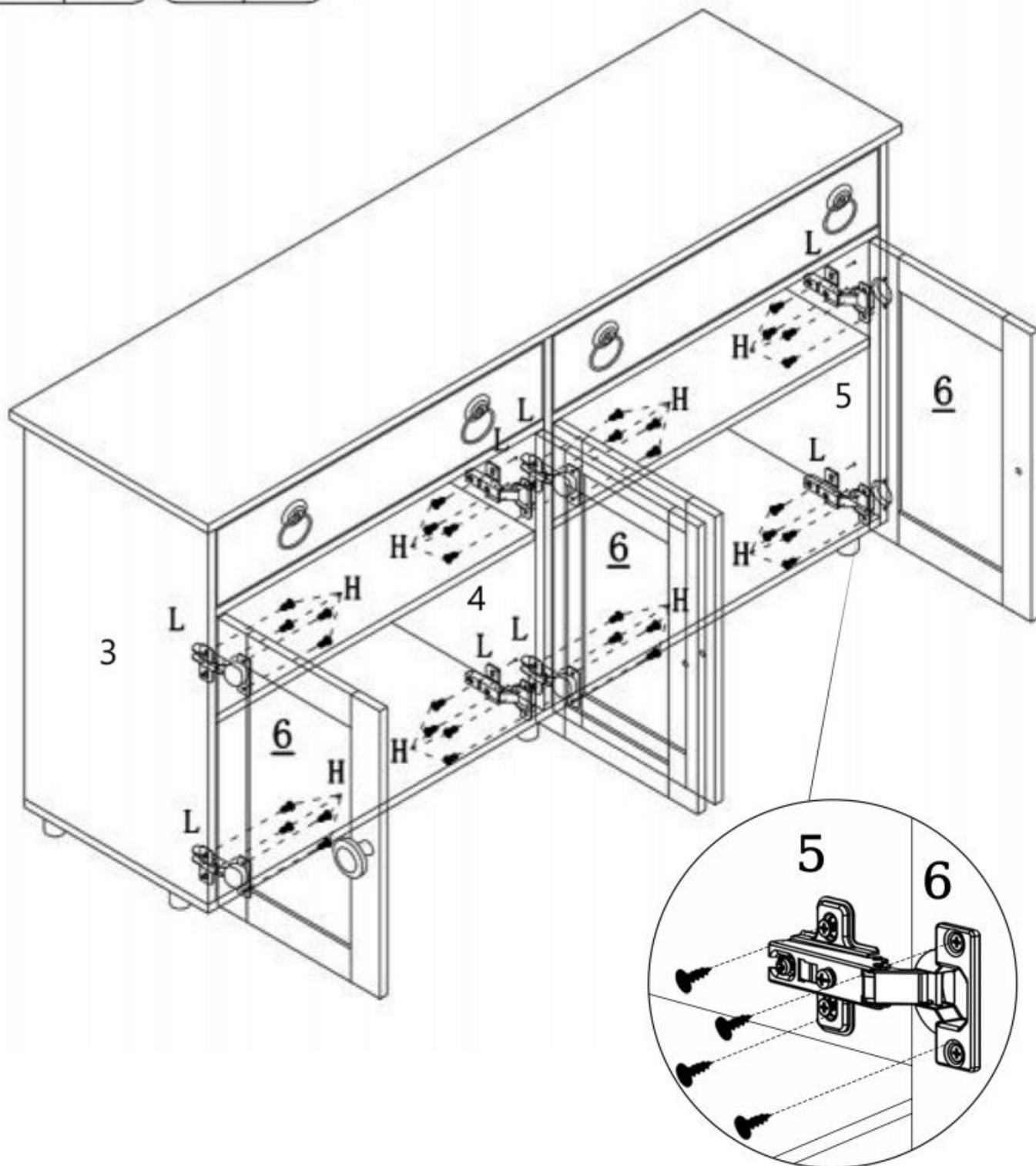
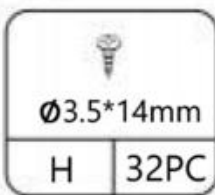
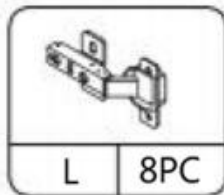


Note: When placing the drawer, please make sure that the wheels of the drawer slides on both sides are superimposed on the wheels of the side panel slides and push in!

Step 15



Step 16



Well done! You've finally finished installing.

