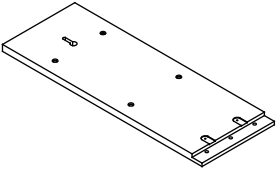
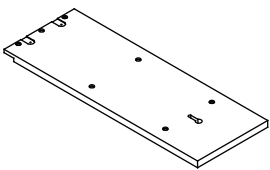
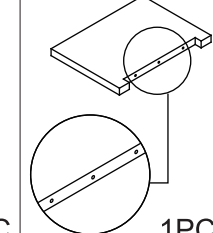
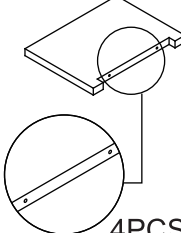



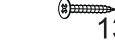




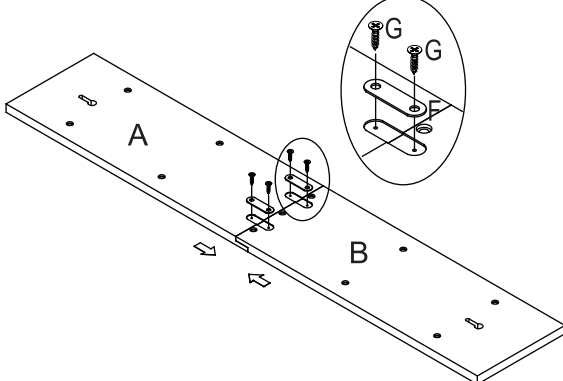


Tool(s) Recommended: Electric Drill

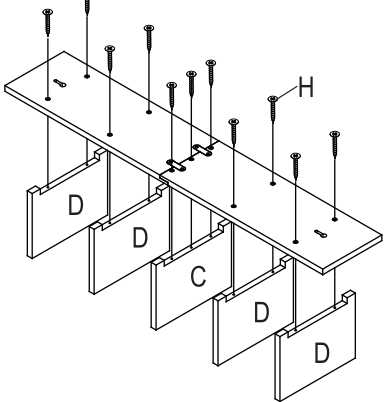
A Top Board  1PC	B Bottom Board  1PC	C Middle Shelf  1PC	D Shelf Board  4PCS	E Wall Anchor  2PCS	F Metal Plate  2PCS	G Plate Screw  4PCS	H Shelf Screw  13PCS	I Hook  2PCS	J Screwdriver  1PC	K Level  1PC	L Paper Template  1PC
---	---	---	--	---	---	---	--	--	--	--	---

1



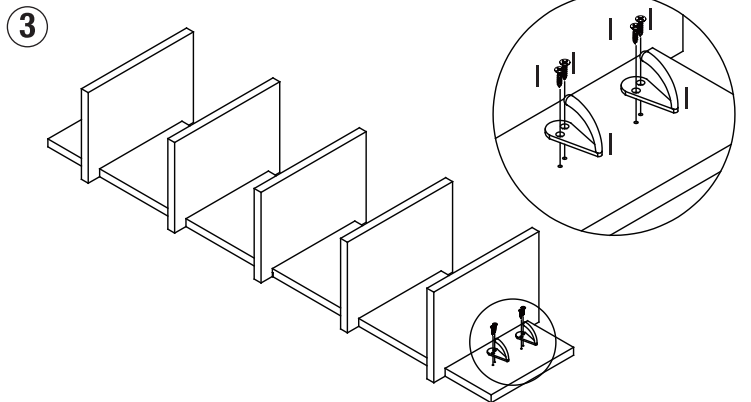
Step 1: Secure top board (A) to bottom board (B) using metal plate (F) and plate screws (G).

2



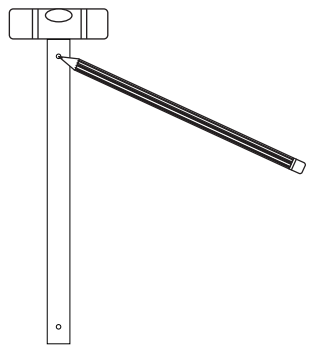
Step 2: Secure shelf board (D) and middle shelf (C) to boards using shelf screw (H).

3



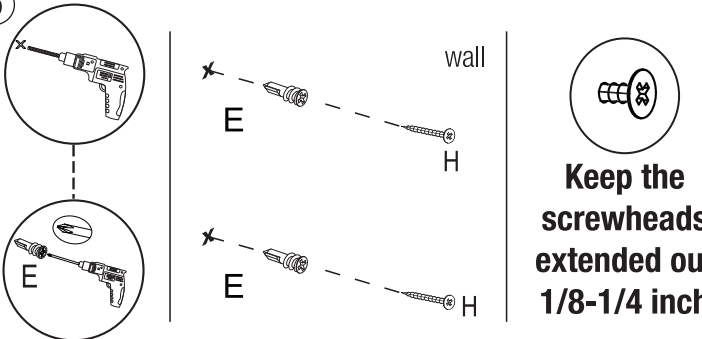
Step 3: Secure hooks (I) to board (D) using screws (I).

4



Step 4: Using the level (K) for accuracy, place the paper template against the wall where you want the shelf to hang. Mark each hole with a pencil.

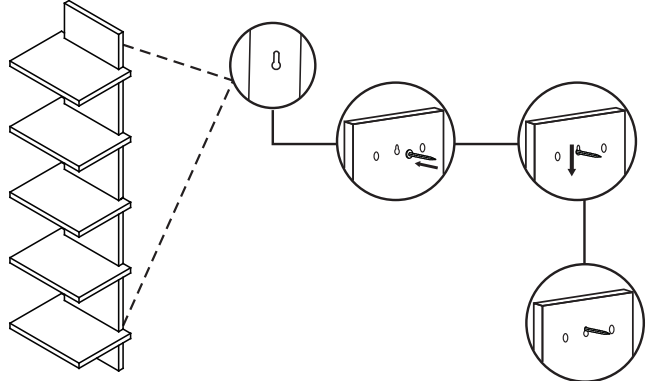
5



Keep the screwheads extended out 1/8-1/4 inch

Step 5: Drill holes into the marked areas with the twist drill bit. Then drill all wall anchors (E) into place. Install screws (H) into the wall anchors (E) leaving 0.125" to 0.25" to hang the shelf on.

6



Step 6: Hang assembled self onto the installed screws (H) and pull down to secure. You can start using the shelf.