

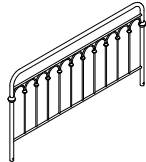
ASSEMBLY INSTRUCTION

SH2015-1 QUEEN BED

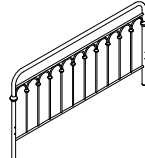
PART LIST:



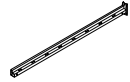
**A: Headboard Leg
2PCS**



**B: Headboard
1PC**



**C: Footboard
1PC**



**D: Front Rail Section
2PCS**



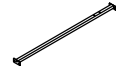
**E: Rear Rail
Section
2PCS**



**F: Front / Rear
Support Bar
2PCS**



**G: Center Support
Bar
1PC**



**H: Front Center Rail
1PC**



**I: Rear Center Rail
1PC**



**J: Rail Support
Leg
2PCS**



**K: Center Support
Leg
3PCS**



**L: Slat
16PCS**



**M: Slat Connector
32PCS**

HARDWARE LIST:



**1 : Bolt
1/4"X 16mm
30PCS**



**2 : Bolt
1/4"X 46mm
8PCS**



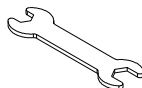
**3 : Bolt
1/4"X 36mm
2PCS**



**4 : 1/4"
6PCS**



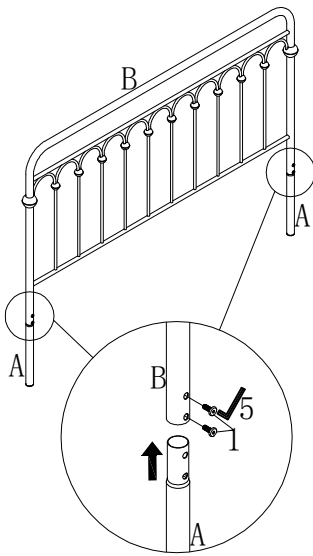
**5 : 4mm
1PC**



**6 : Wrench
1PC**

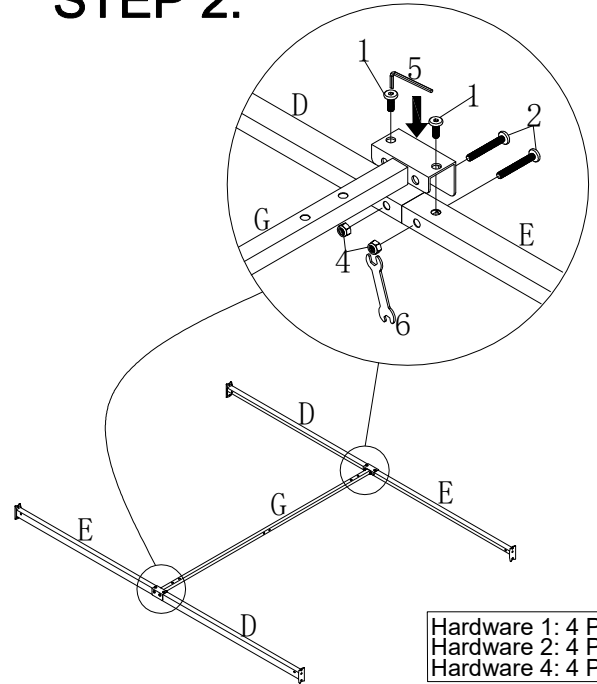
NOTE: PLEASE DO NOT TIGHTEN ALL BOLTS UNTIL THE BED IS ASSEMBLED COMPLETELY.

STEP 1:



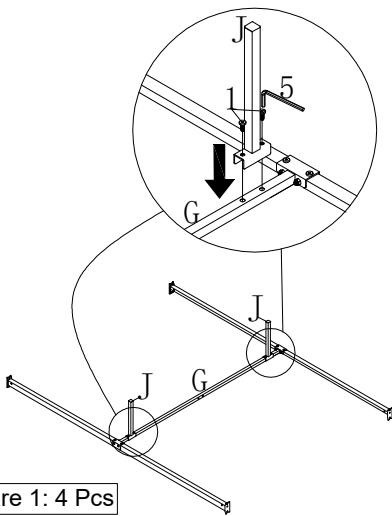
Hardware 1: 4 Pcs

STEP 2:



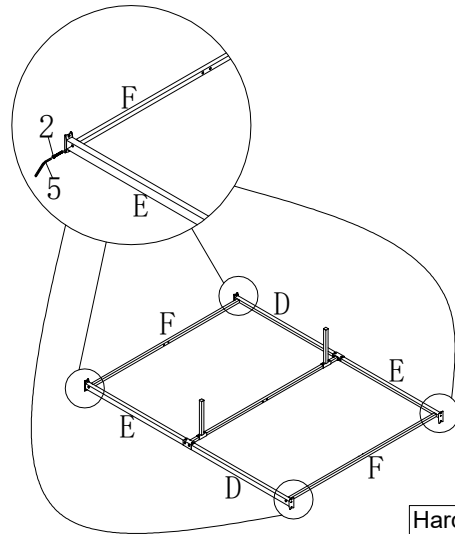
Hardware 1: 4 Pcs
Hardware 2: 4 Pcs
Hardware 4: 4 Pcs

STEP 3:



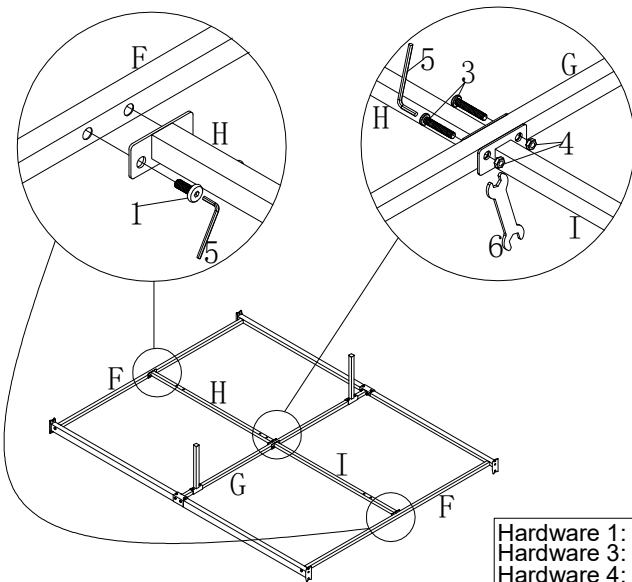
Hardware 1: 4 Pcs

STEP 4:



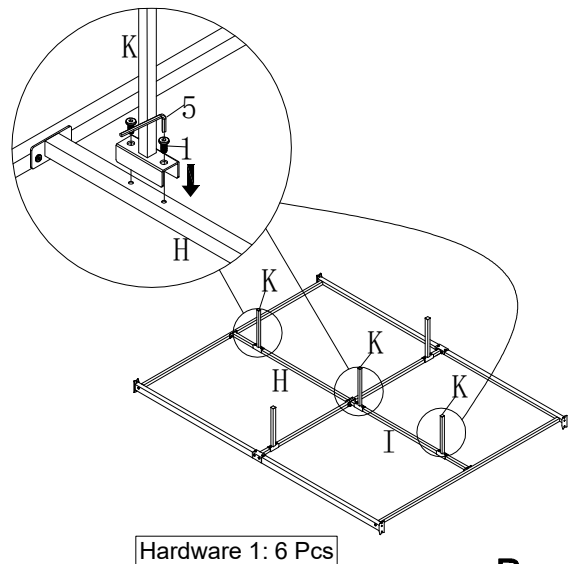
Hardware 2: 4 Pcs

STEP 5:



Hardware 1: 4 Pcs
Hardware 3: 2 Pcs
Hardware 4: 2 Pcs

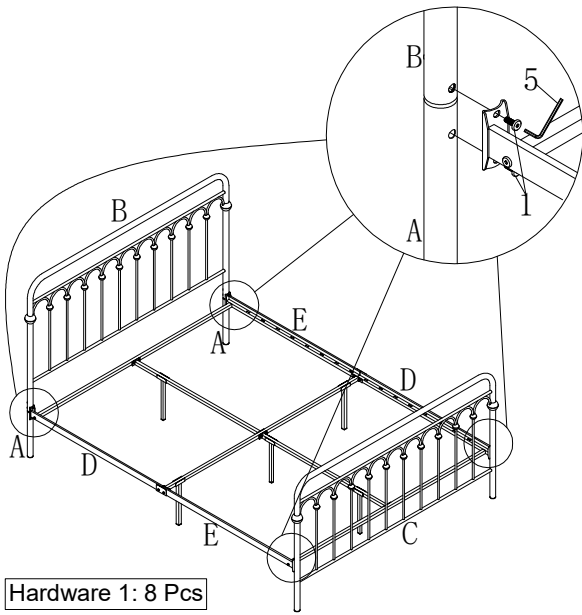
STEP 6:



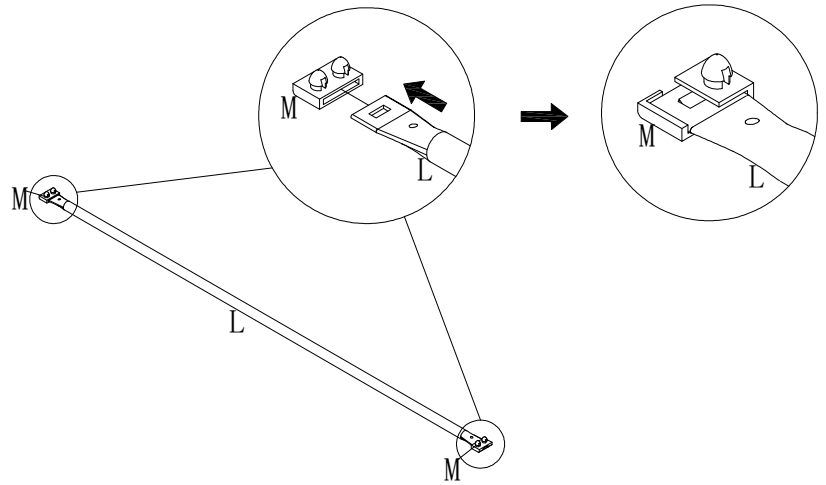
Hardware 1: 6 Pcs

NOTE: PLEASE DO NOT TIGHTEN ALL BOLTS UNTIL THE BED IS ASSEMBLED COMPLETELY.

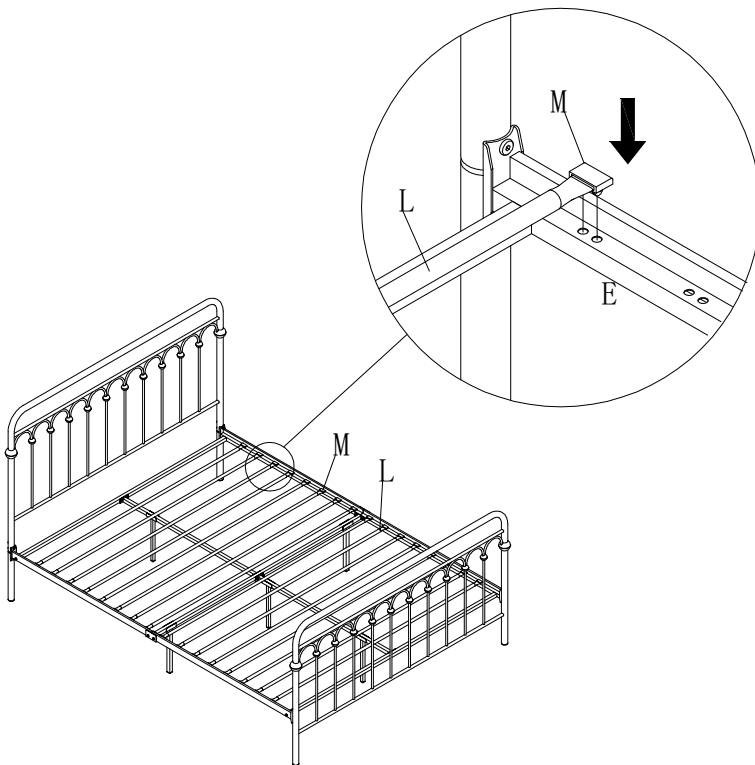
STEP 7:



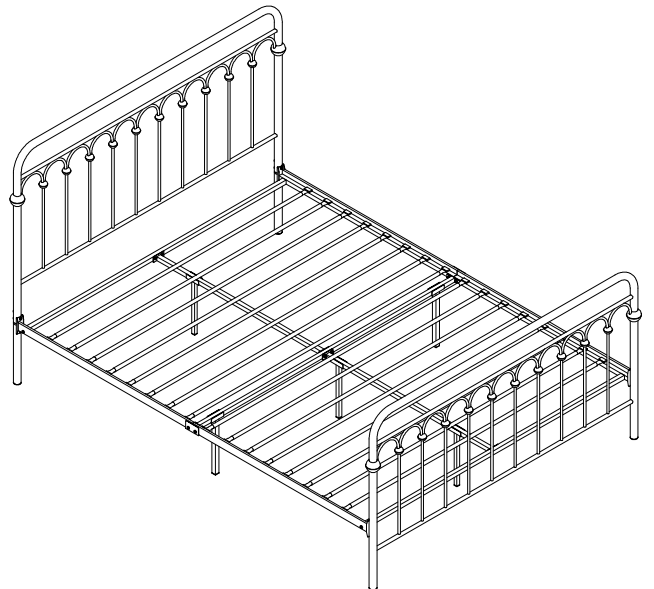
STEP 8:



STEP 9:



COMPLETED:



! For items use on wooden floor, hard surfaces or carpets, it is recommended to install protective pads under all legs and supports to avoid/prevent from damages/scratches and discoloration.