

ASSEMBLY INSTRUCTIONS



 **SAFETY TIPS:**

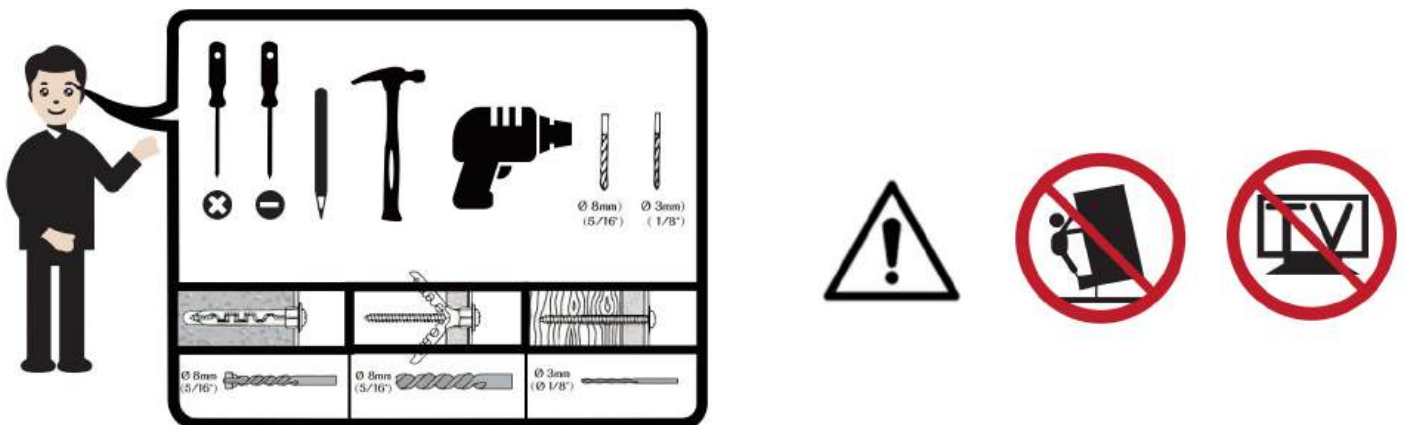
Static charge may cause dust on foam-clean with a dry or damp cloth. Small foam strands may be present-handle gently and dispose of properly. Do not burn or incinerate. Check local recycling guidelines.

Have an assembly question or need a replacement part?
Please contact with our customer service.

Warning

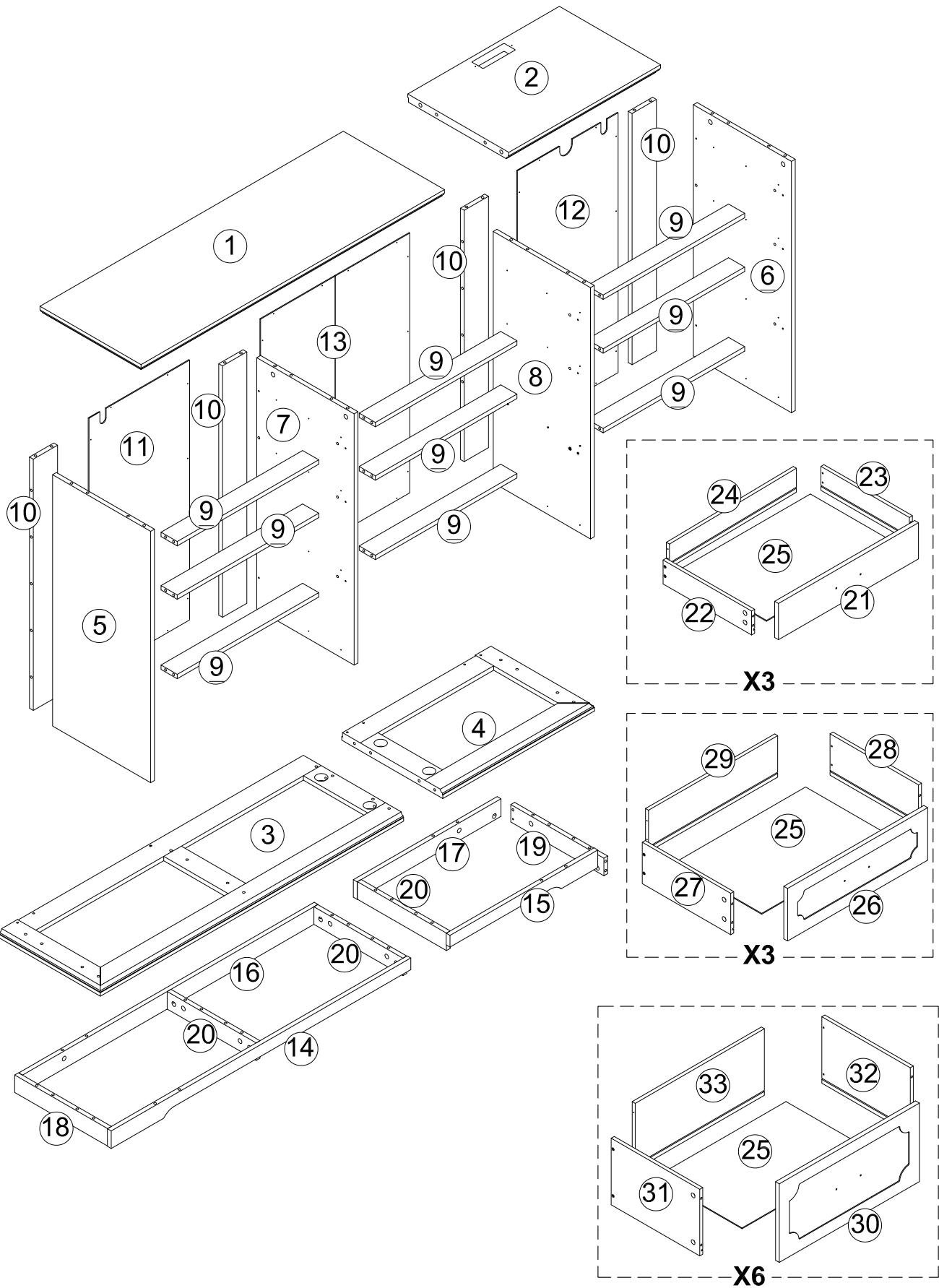
Important reminder:

- ⚠ Please sort and check all accessories before assembly.
 - ⚠ Please place the product on empty cardboard box or carpet to avoid scratches on it,
 - ⚠ Please use proper tools for assembly. Using an electric screwdriver can accelerate the assembly speed, but please do not overtighten the screws.
 - ⚠ Please follow the assembly steps and do not skip any of them.
 - ⚠ If possible, please find a partner to help you with assembly, which can accelerate assembly.
 - ⚠ Keep all small parts of this product away from children. They may cause serious injury.
 - ⚠ We hope you can retighten the screws 2 weeks after assembly, and check the tightening procedure of the screws every 3 months.
- If you meet any difficulty, our friendly customer team are always ready to help you.

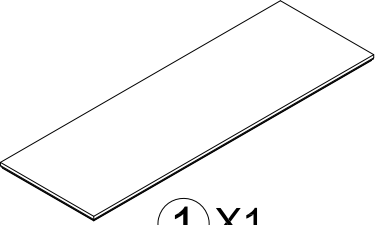
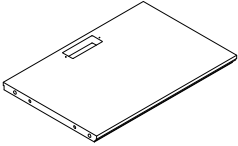
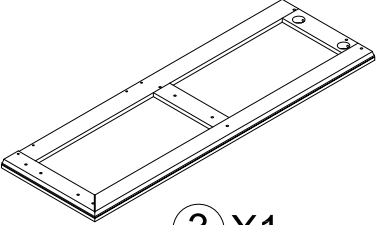
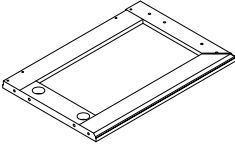
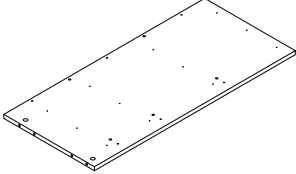
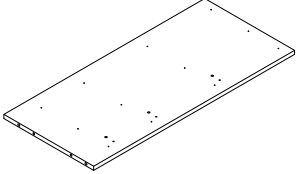
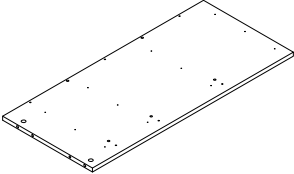
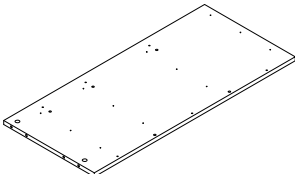
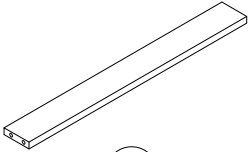
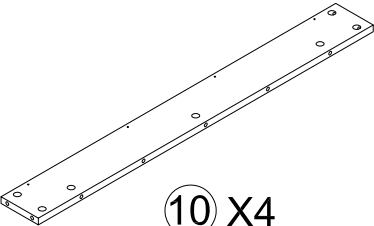
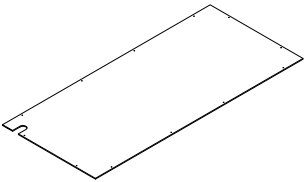
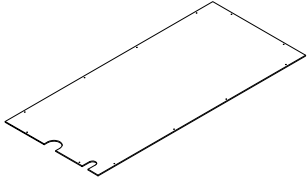
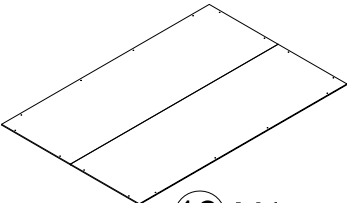
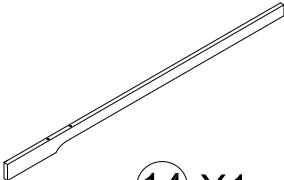
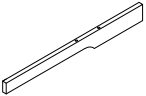
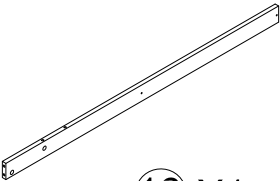
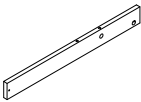
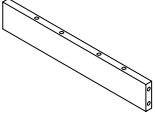
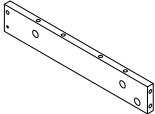
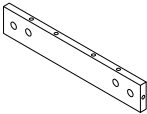
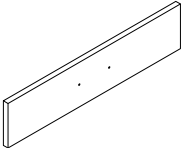


Warning: Overturning the product can cause serious crushing injuries. We have a wall connection device attached, please use it to hold the furniture following assembly instructions. Do not change the structure of this product in any way. Our products have been tested and meet any 1 sales specific security measures. We won't be responsible for any modifications, which may cause significant security risks.

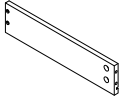
Explosion Diagram



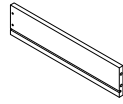
Parts List

 <p>① X1</p>	 <p>② X1</p>	 <p>③ X1</p>
 <p>④ X1</p>	 <p>⑤ X1</p>	 <p>⑥ X1</p>
 <p>⑦ X1</p>	 <p>⑧ X1</p>	 <p>⑨ X9</p>
 <p>⑩ X4</p>	 <p>⑪ X1</p>	 <p>⑫ X1</p>
 <p>⑬ X1</p>	 <p>⑭ X1</p>	 <p>⑮ X1</p>
 <p>⑯ X1</p>	 <p>⑰ X1</p>	 <p>⑱ X1</p>
 <p>⑲ X1</p>	 <p>⑳ X3</p>	 <p>㉑ X3</p>

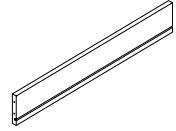
Parts List



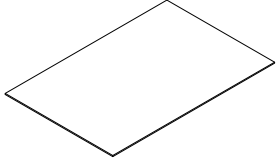
②② X3



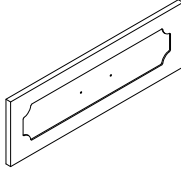
②③ X3



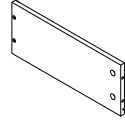
②④ X3



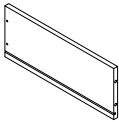
②⑤ X12



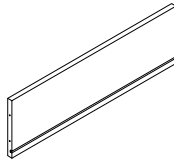
②⑥ X3



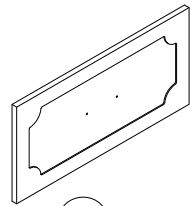
②⑦ X3



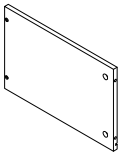
②⑧ X3



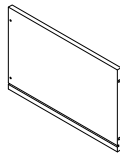
②⑨ X3



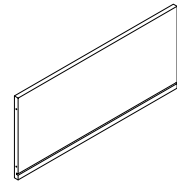
③⑩ X6



③① X6



③② X6





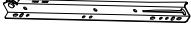
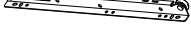
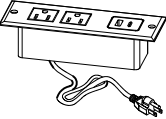
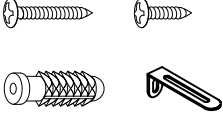
③③ X6

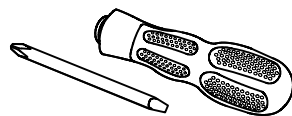
Hardware List

No.	Code	Diagram	Description	Quantity	Spare
1	A1		L=25mm	126	5
2	A2		Ø15 x 9.5 mm	126	5
3	B1		M4 x 18 mm	12	2
4	B2		M4 x 15 mm	12	2
5	B3		Ø3.5 x 12 mm	144	5
6	B4		Ø4 x 30 mm	48	2
7	B5		M6*48mm	8	
8	B6		Ø3 x 14 mm	40	2
9	B7		Ø3 x 12 mm	2	
10	C1		Ø8 x 30mm	60	4
11	C2		Ø10 x 50mm	4	
12	C3		L=115mm	6	
13	C4		L=126mm	6	
14	C5		28.5*15*7.5mm	8	
15	C6		M8 Nut	8	
16	C7		M8 x 90mm	4	
17	C8			2	
18	C9		Ø25 mm	126	4
19	C10		40 x 40 x 14mm	4	

THE SPARE BAG INCLUDED EXTRA HARDWARE FOR DAMAGED OR MISSING SMALL HARDWARE WHILE YOU ARE ASSEMBLING

Hardware List

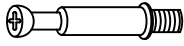
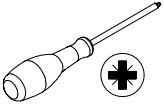
No.	Code	Diagram	Description	Quantity	Spare
19	CR		14" Slide (CR)	12	
20	CL		14" Slide (CL)	12	
21	DR		14" Slide (DR)	12	
22	DL		14" Slide (DL)	12	
23	PC1		162 x 55 x 40 mm	1	
24	D1			2	

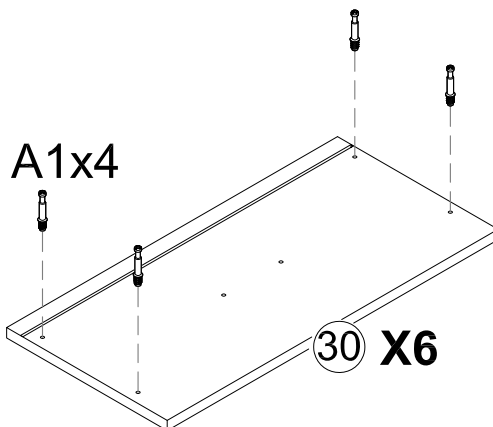
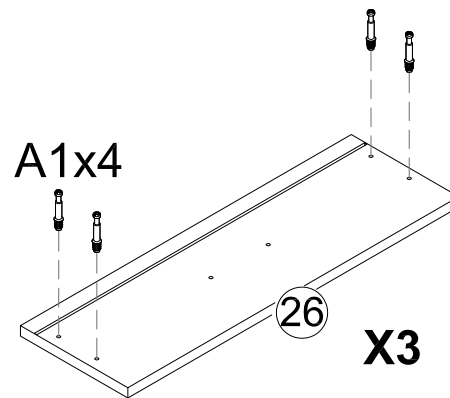
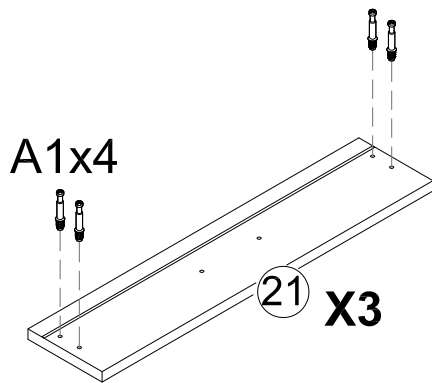
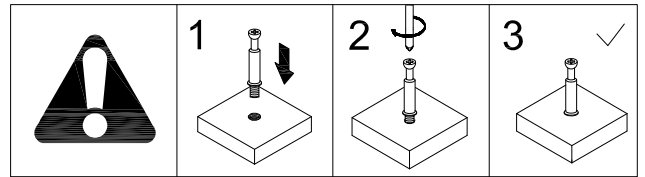


THE SPARE BAG INCLUDED EXTRA HARDWARE FOR DAMAGED OR MISSING SMALL HARDWARE WHILE YOU ARE ASSEMBLING

Assemble

Step 1


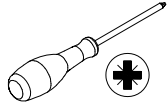

						
A1	48PCS					

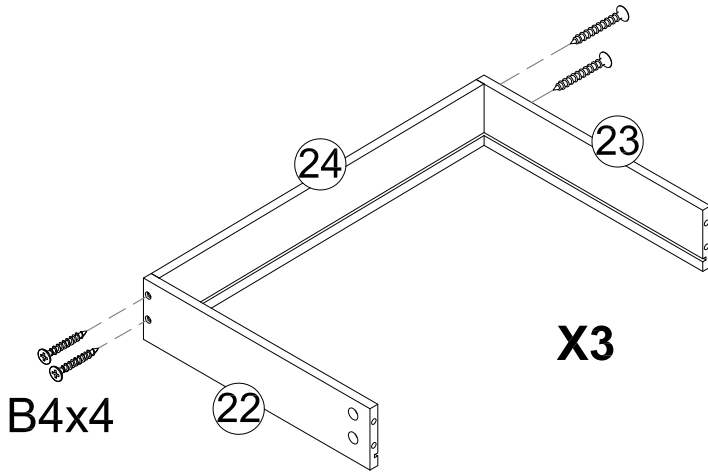
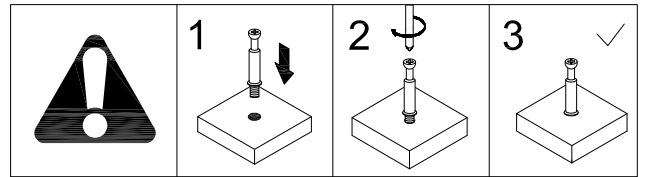


THE SPARE BAG INCLUDED EXTRA HARDWARE FOR DAMAGED OR MISSING SMALL HARDWARE WHILE YOU ARE ASSEMBLING

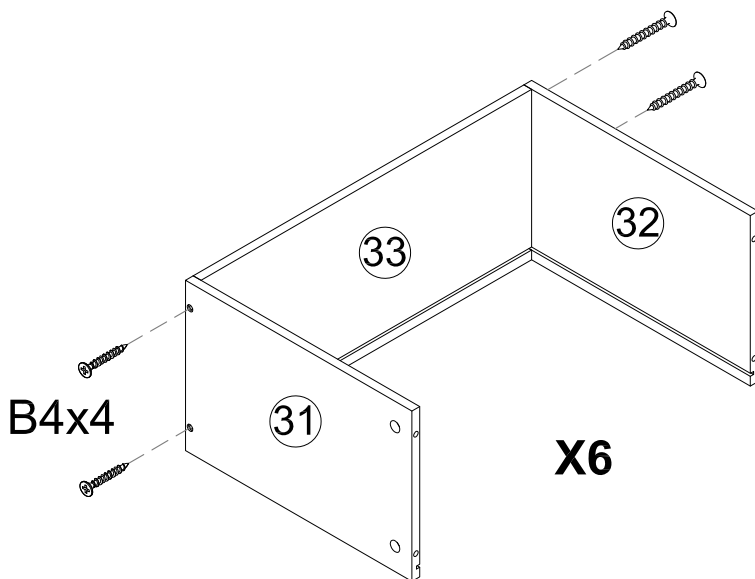
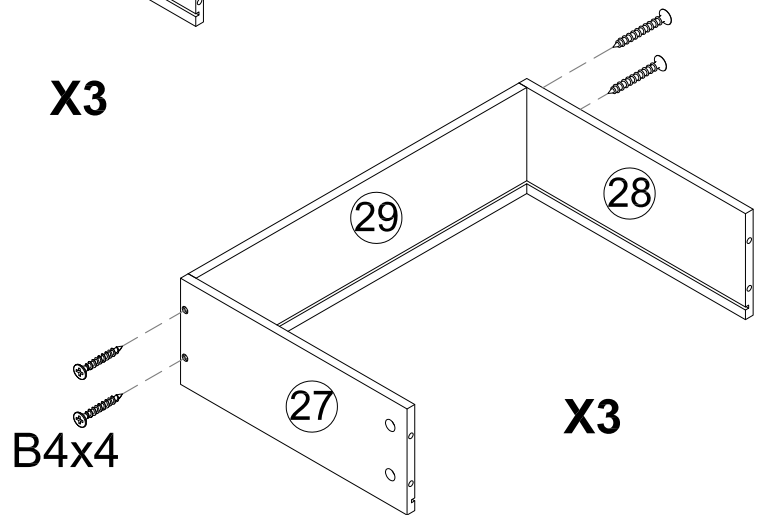
Assemble

Step 2

							
B4	48PCS						



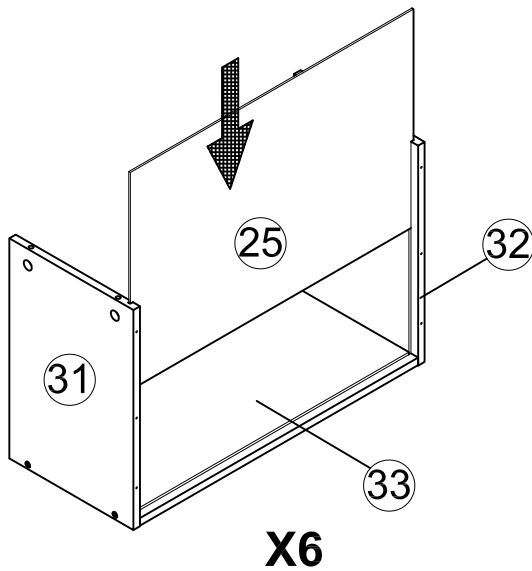
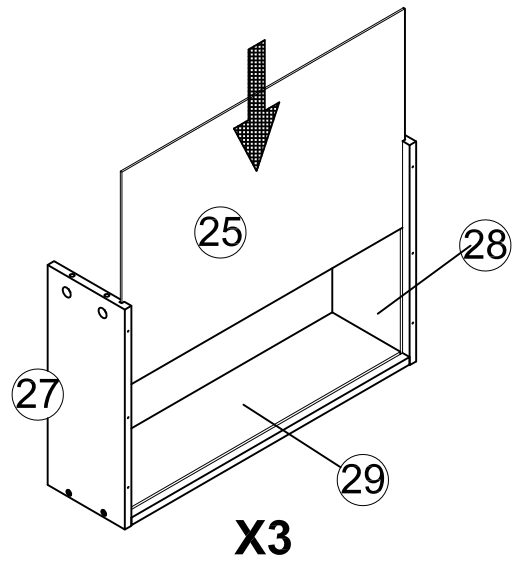
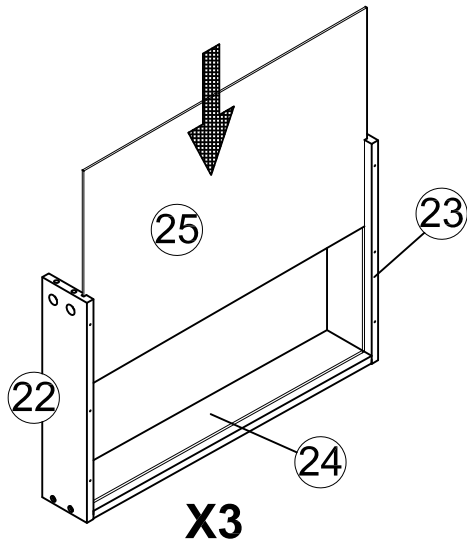
Note: Tighten the screws after aligning the slots



THE SPARE BAG INCLUDED EXTRA HARDWARE FOR DAMAGED OR MISSING SMALL HARDWARE WHILE YOU ARE ASSEMBLING

Assemble


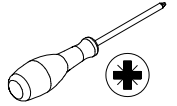
Step 3


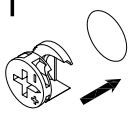
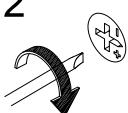
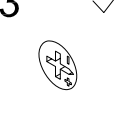


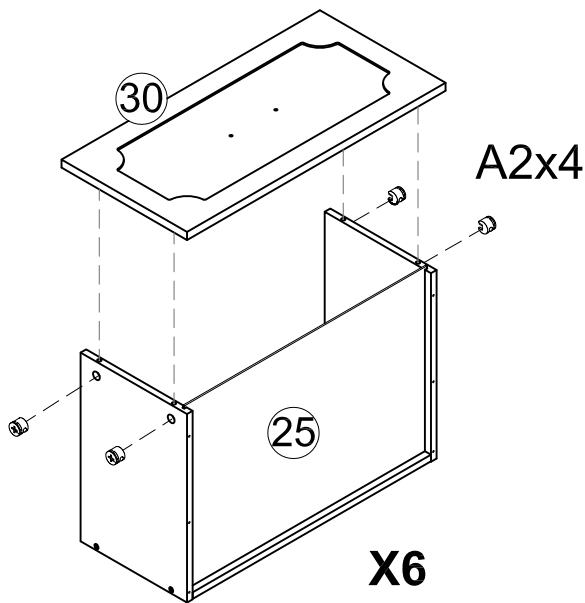
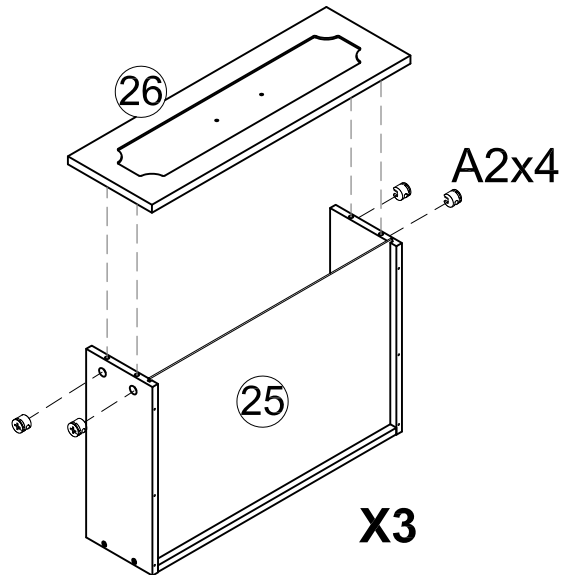
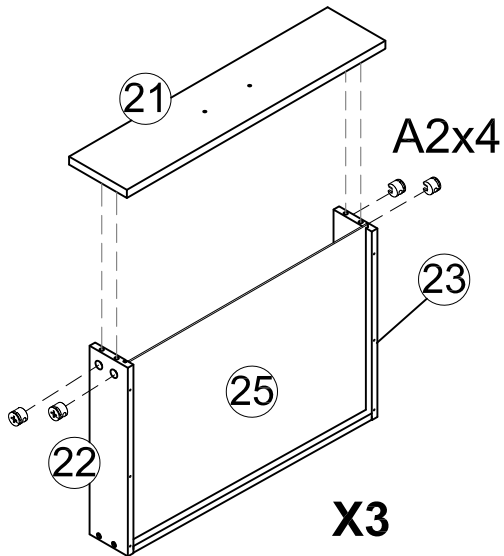
Have an assembly question or need a replacement part?
Please contact with our customer service.

Assemble

Step 4

Step 4								
	A2	48PCS						

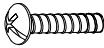



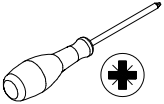
	1 	2 	3 
--	---	---	---

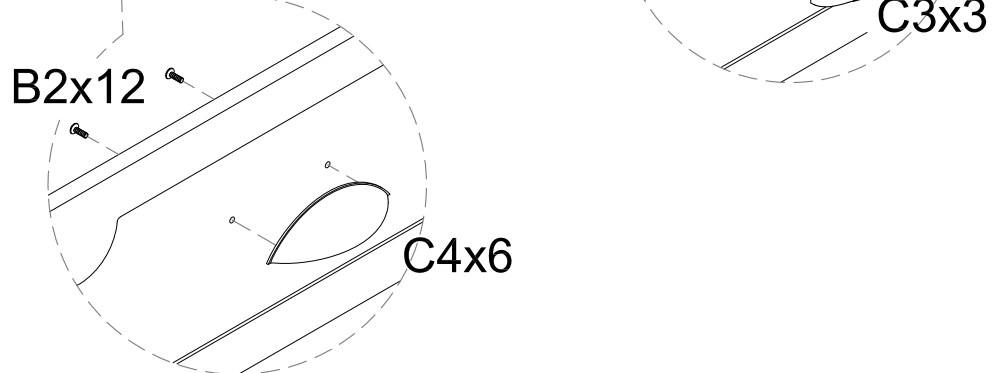
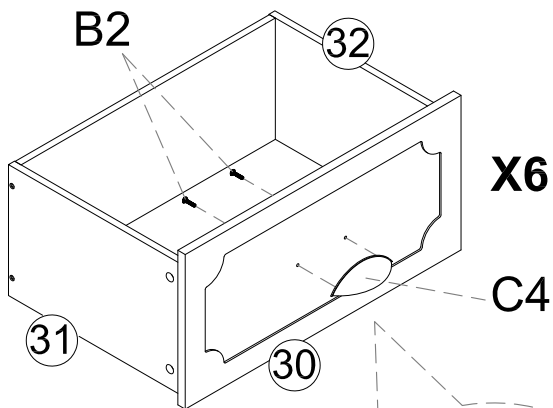
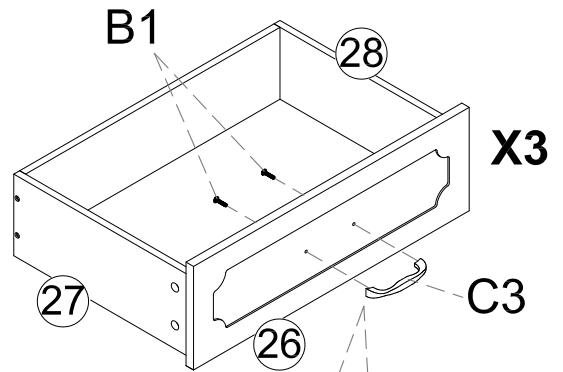
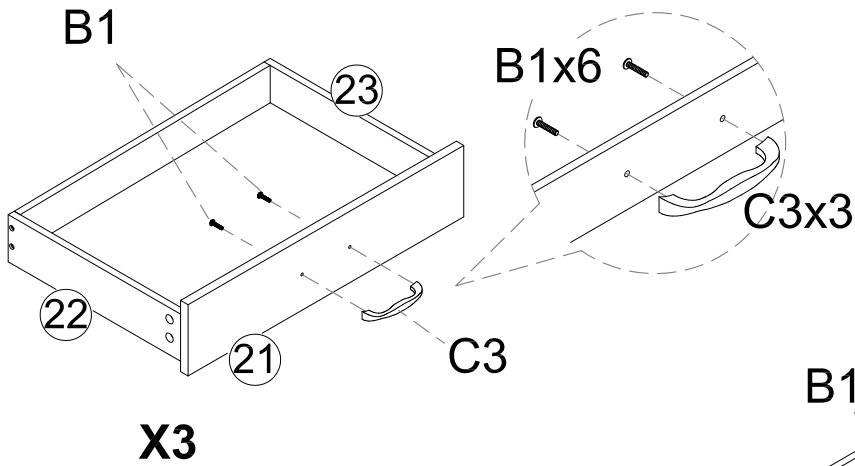


Have an assembly question or need a replacement part?
Please contact with our customer service.

Assemble

Step 5

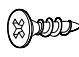


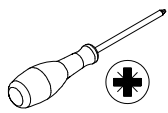
				
B1 12PCS	B2 12PCS	C3 6PCS	C4 6PCS	

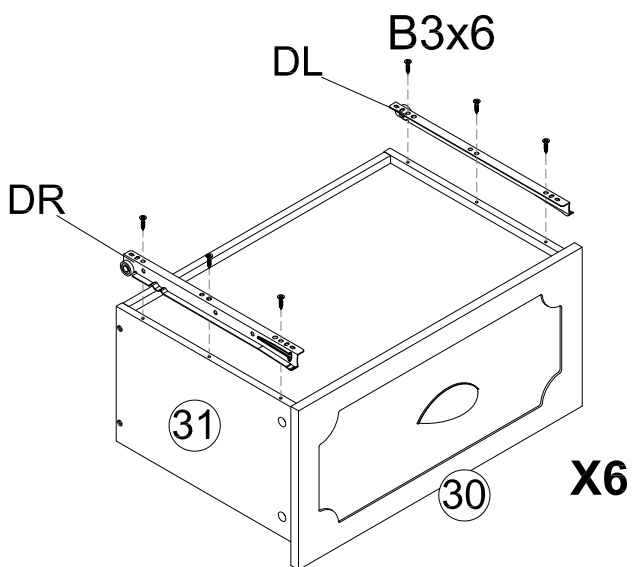
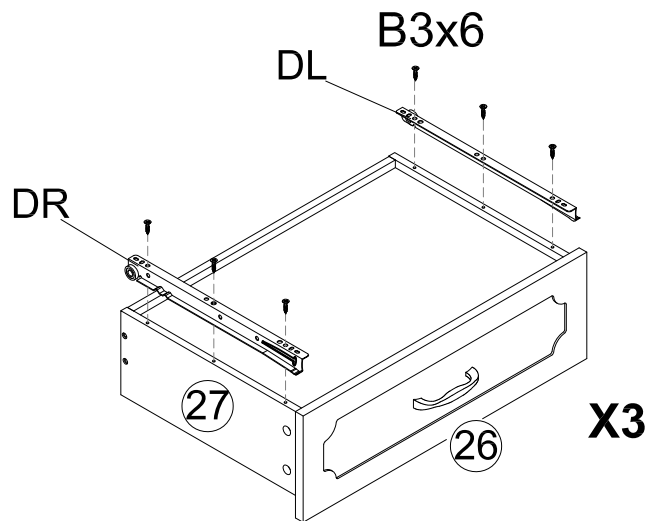
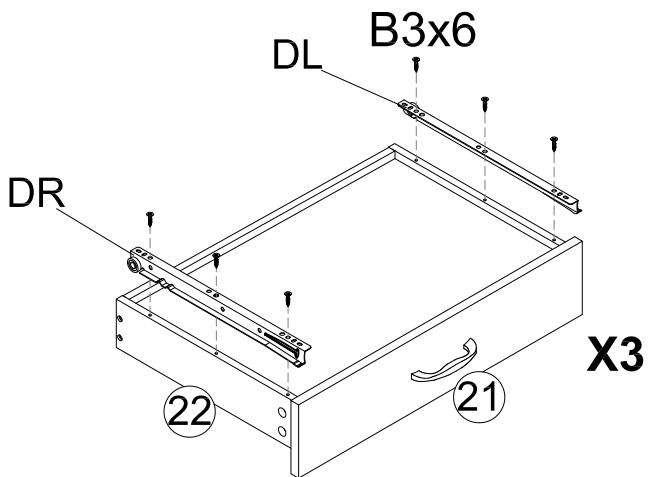
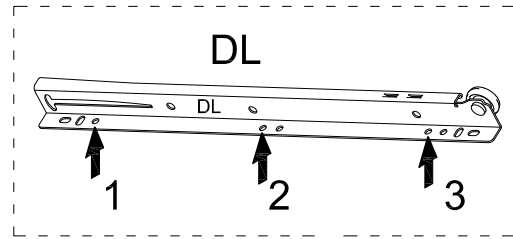
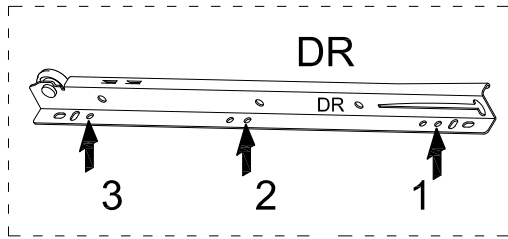


Have an assembly question or need a replacement part?
Please contact with our customer service.

Assemble

Step 6

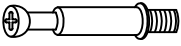



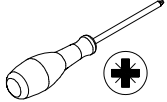
							
B3	72PCS	DR	12PCS	DL	12PCS		

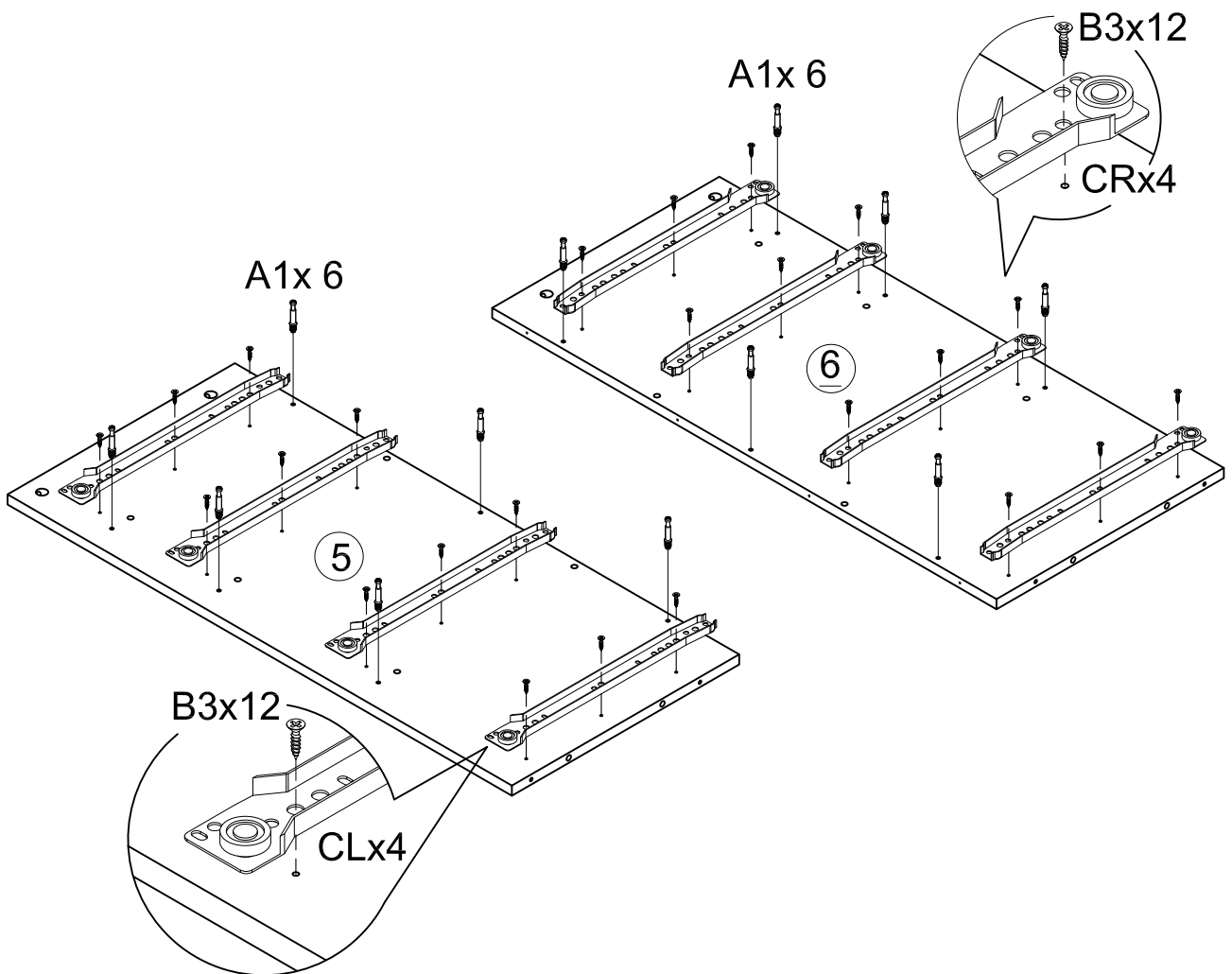
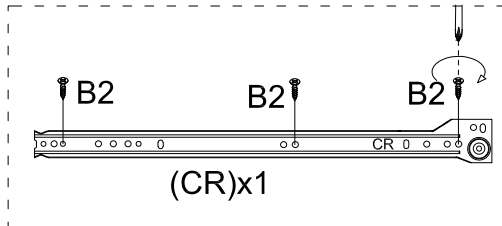
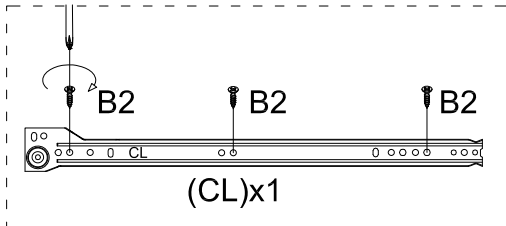
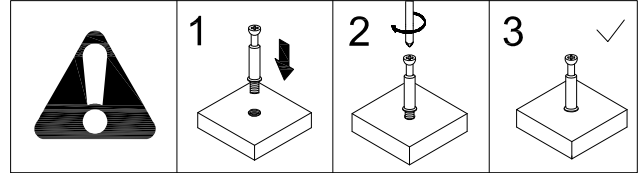


Have an assembly question or need a replacement part?
Please contact with our customer service.

Assemble

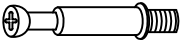



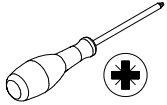
Step 7

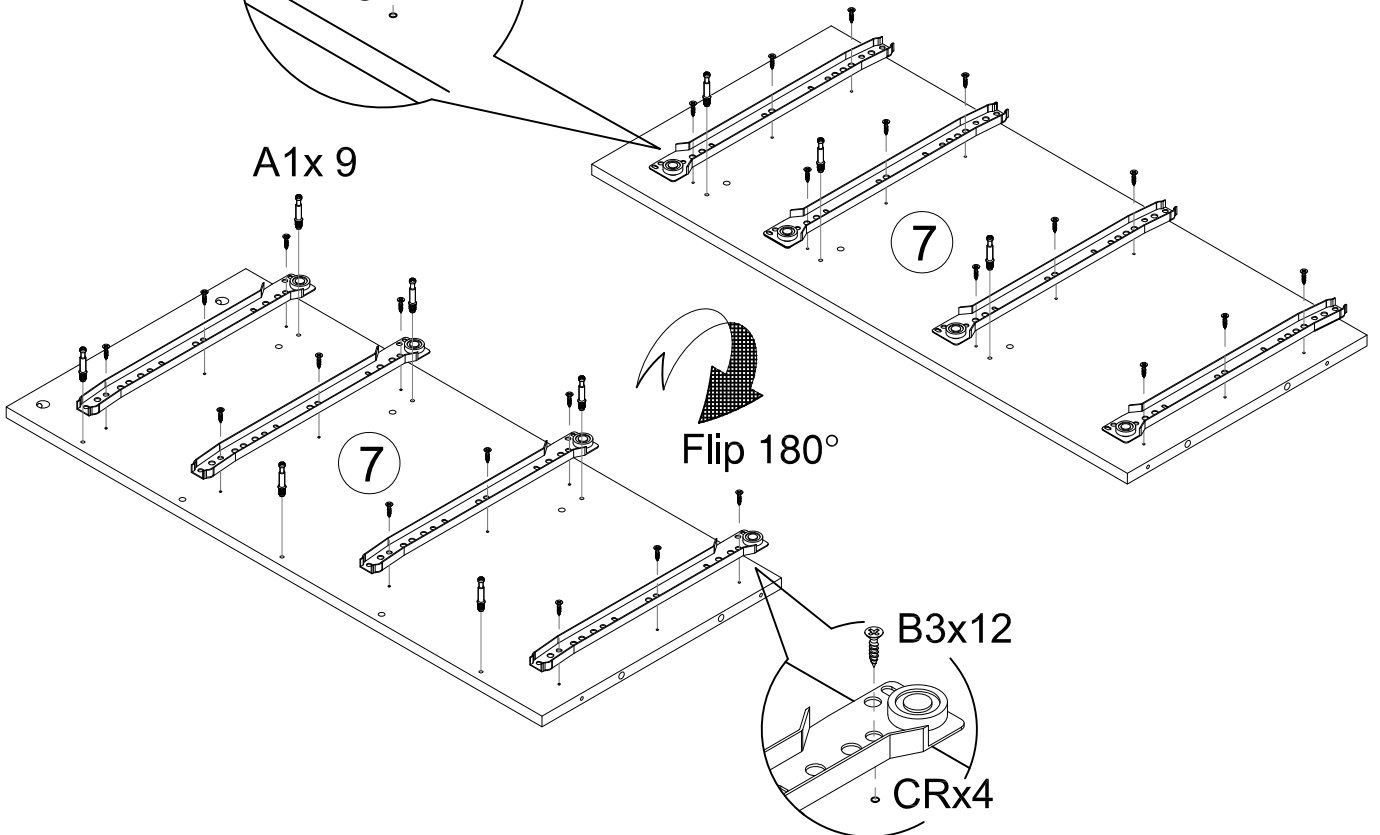
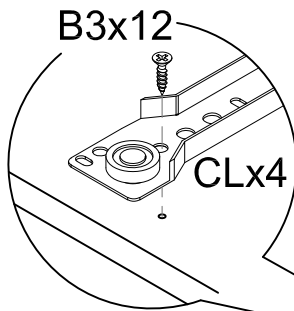
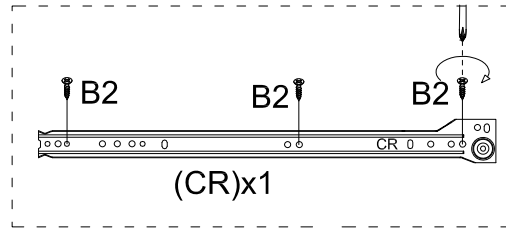
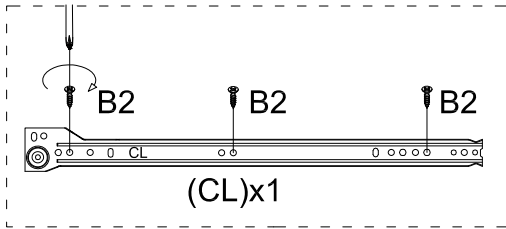
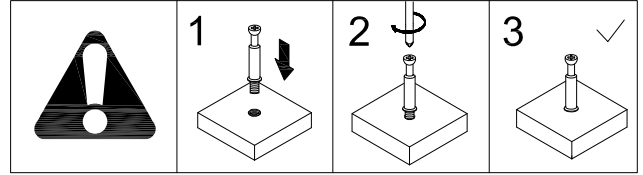
				
A1 12PCS	B3 24PCS	CR 4PCS	CL 4PCS	



Have an assembly question or need a replacement part?
Please contact with our customer service.

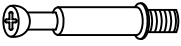


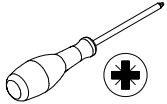
Step 8

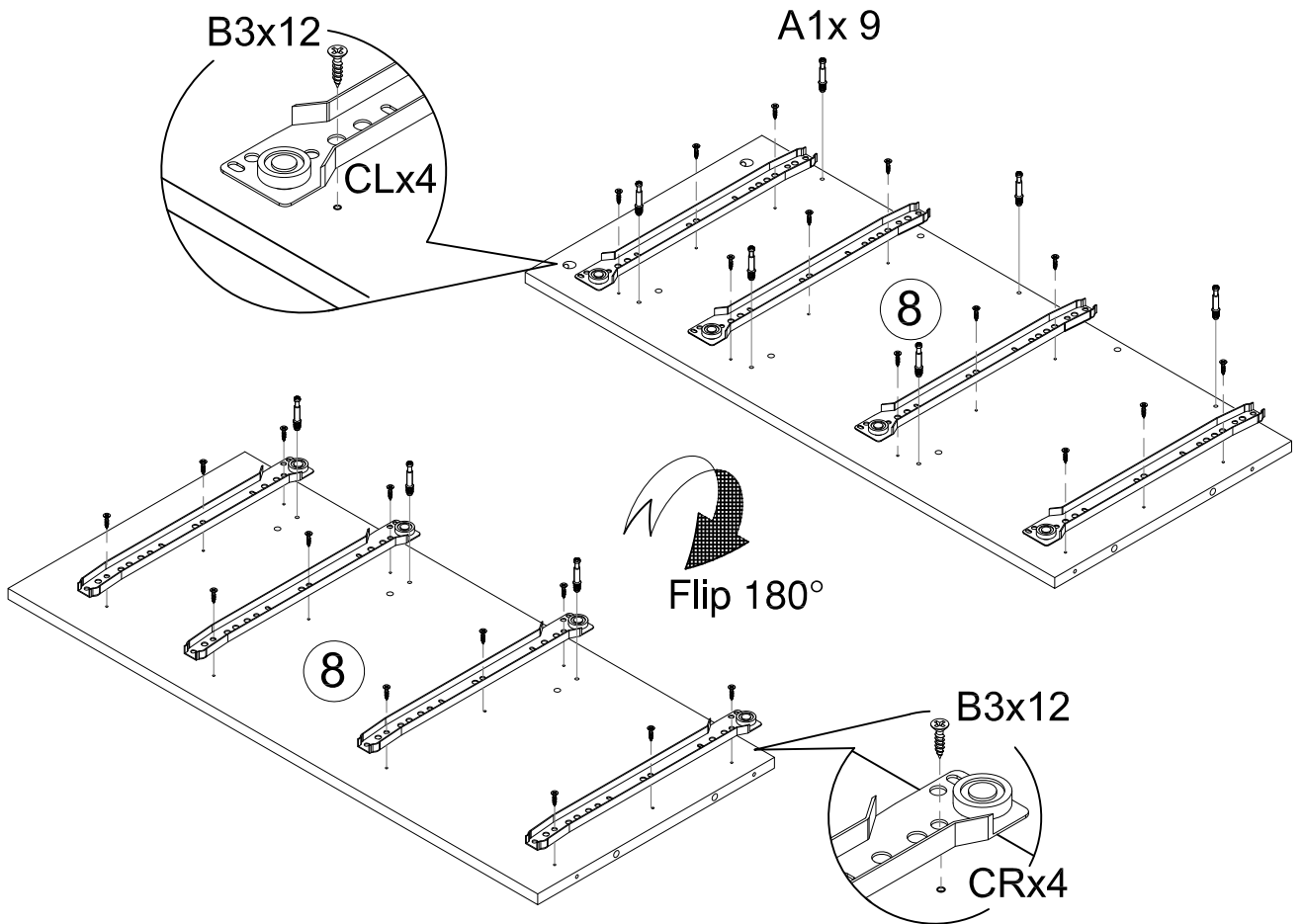
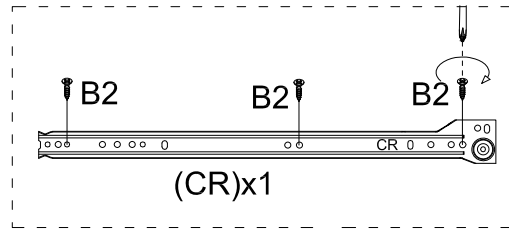
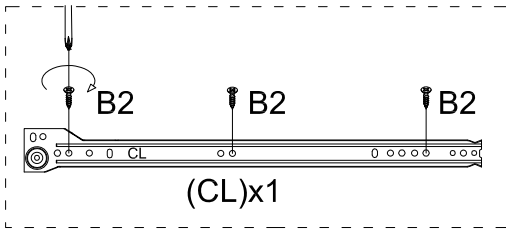
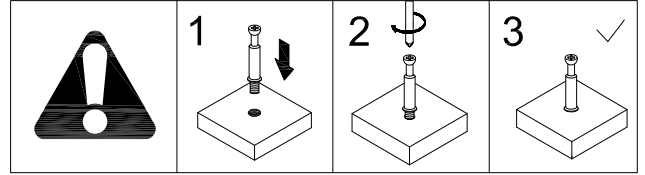
				
A1 9PCS	B3 24PCS	CR 4PCS	CL 4PCS	



Have an assembly question or need a replacement part?
Please contact with our customer service.

Step 9



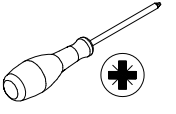
				
A1 9PCS	B3 24PCS	CR 4PCS	CL 4PCS	

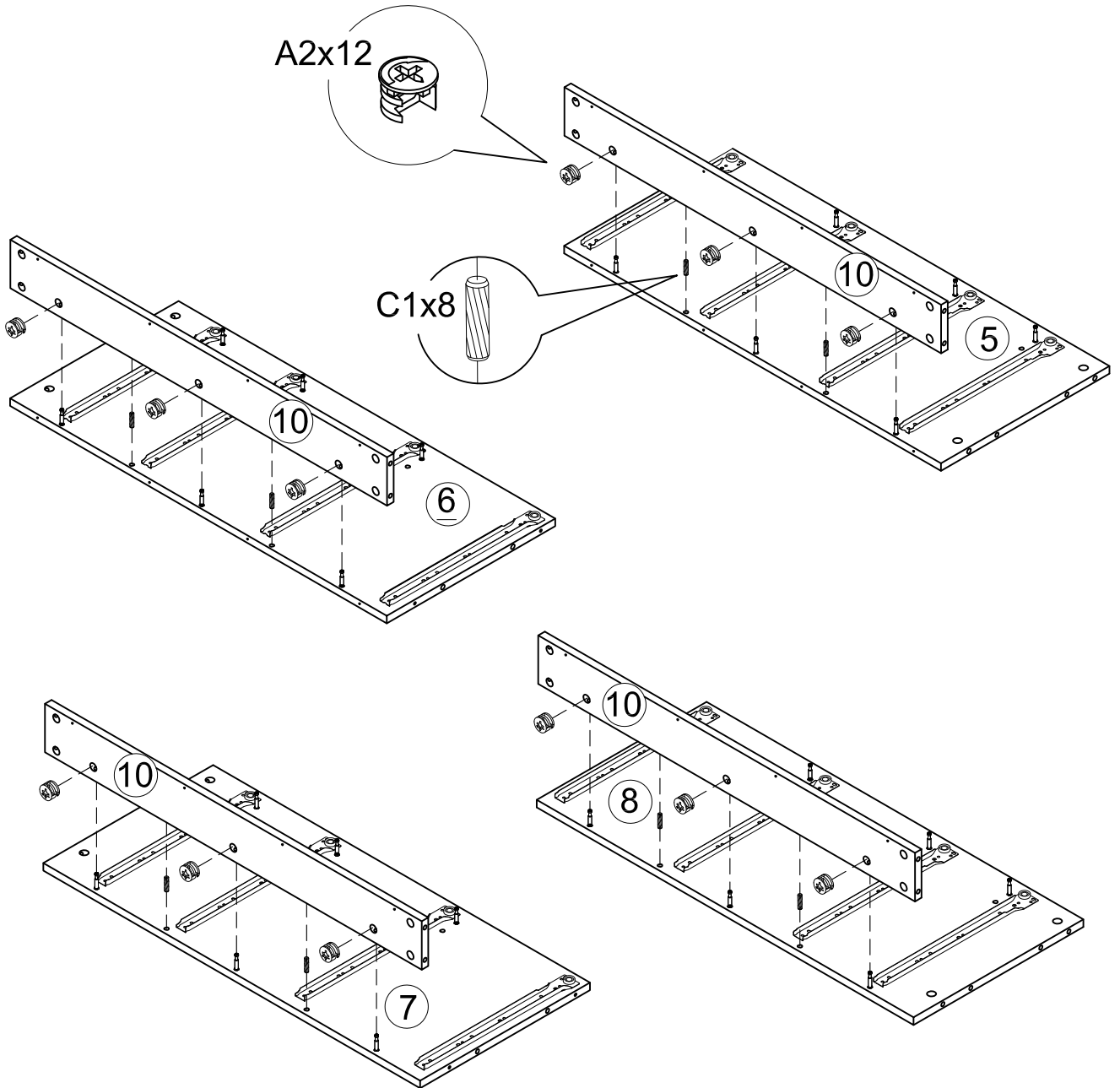
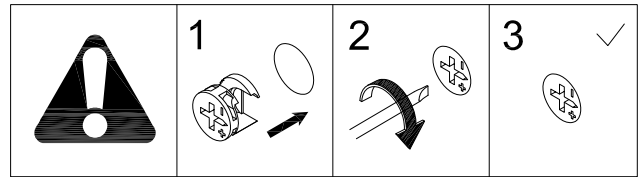


Have an assembly question or need a replacement part?
Please contact with our customer service.

Assemble

Step 10



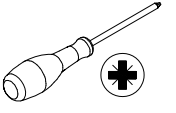

					
A2	12PCS	C1	8PCS		


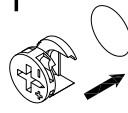
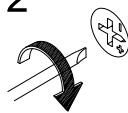
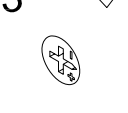


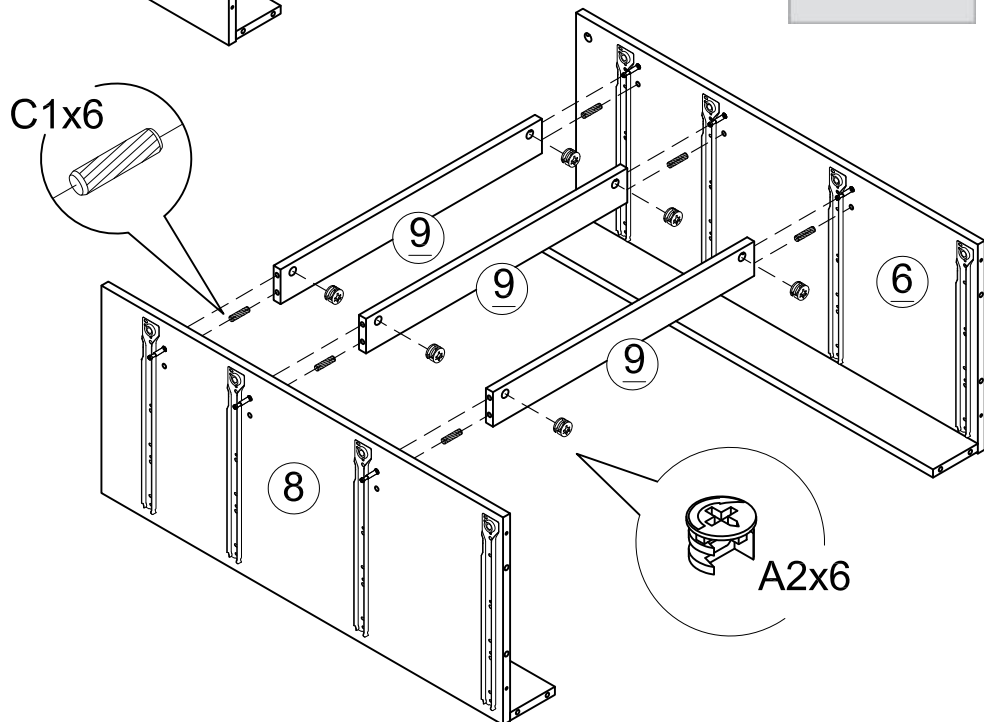
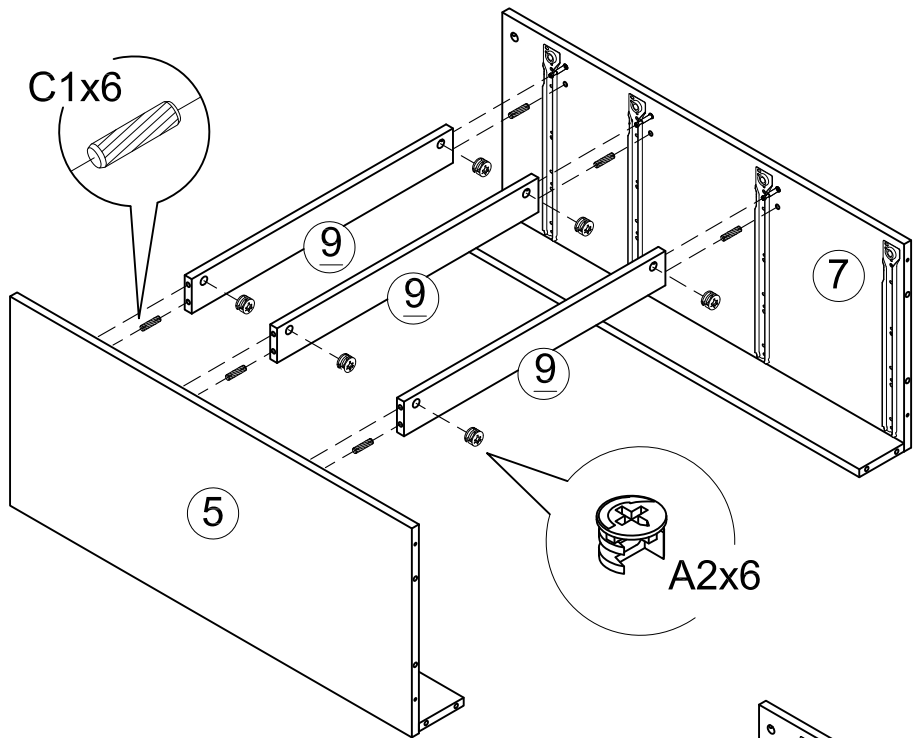
Have an assembly question or need a replacement part?
Please contact with our customer service.

Assemble

Step 11

									
A2	12PCS	C1	12PCS						



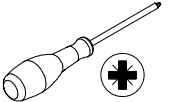
	1 	2 	3 
--	--	--	--

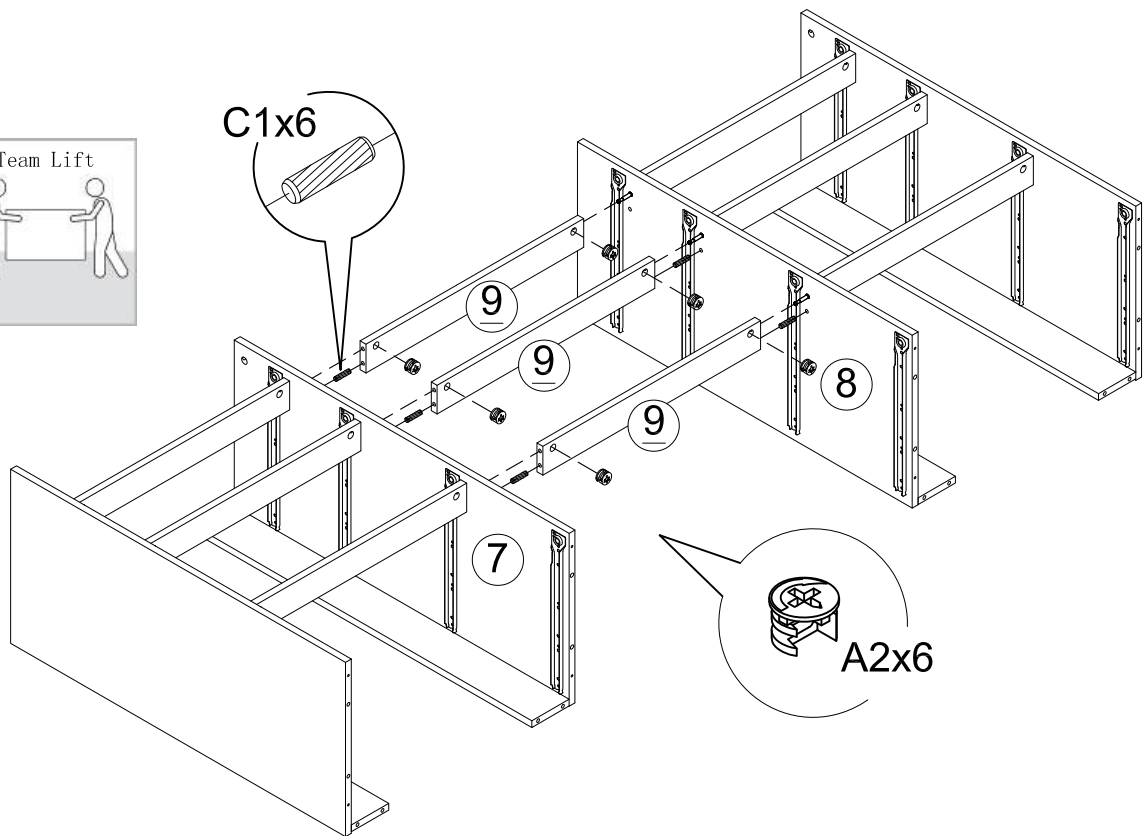
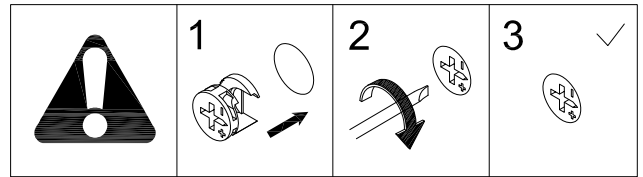


Have an assembly question or need a replacement part?
Please contact with our customer service.

Assemble

Step 12

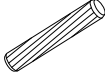
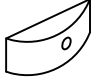

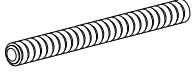

					
A2	6PCS	C1	6PCS		

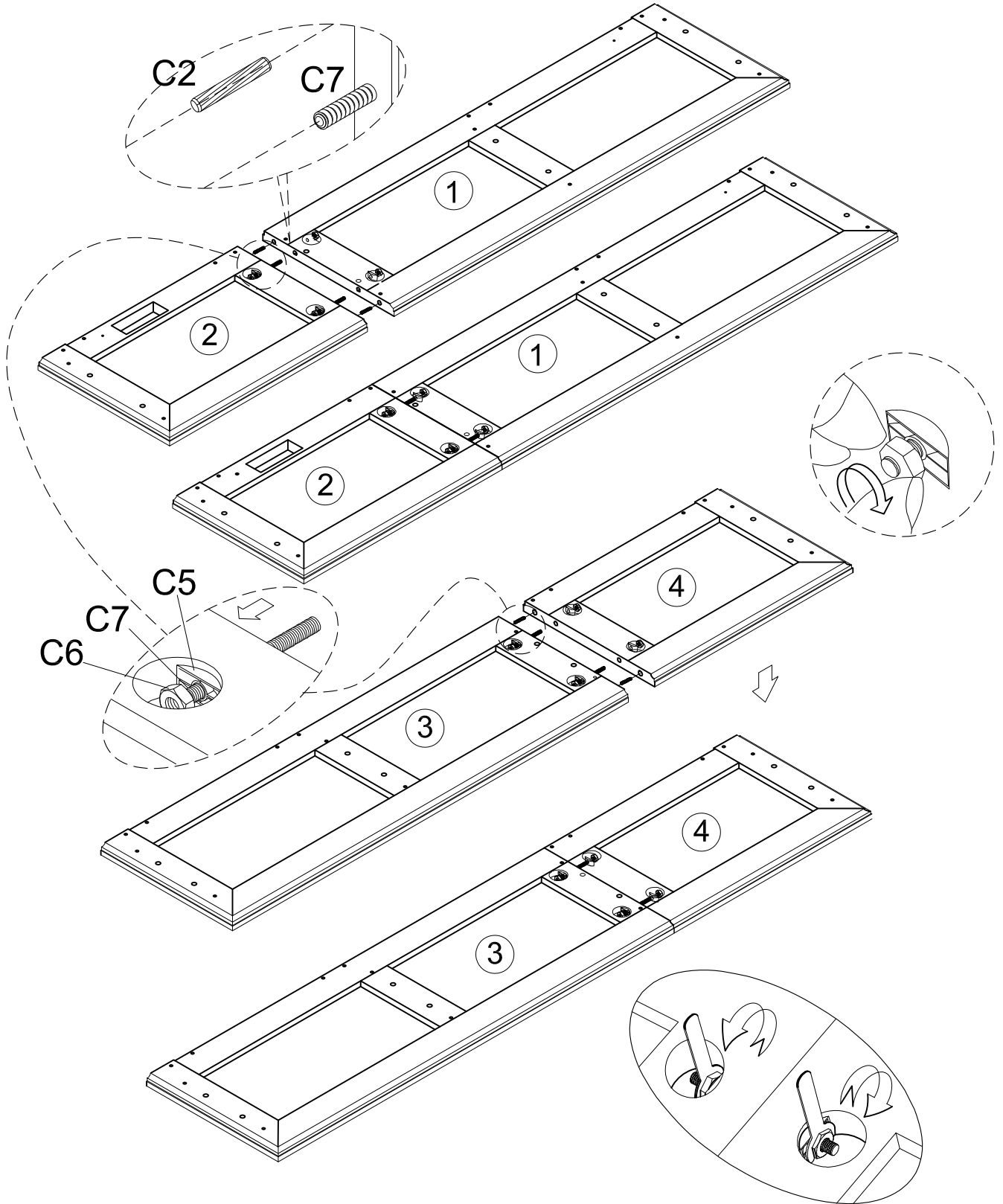


Have an assembly question or need a replacement part?
Please contact with our customer service.

Assemble

Step 13

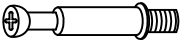
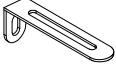
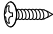
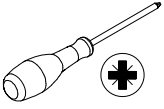
									
C2	4PCS	C5	8PCS	C6	8PCS	C7	4PCS	C8	2PCS

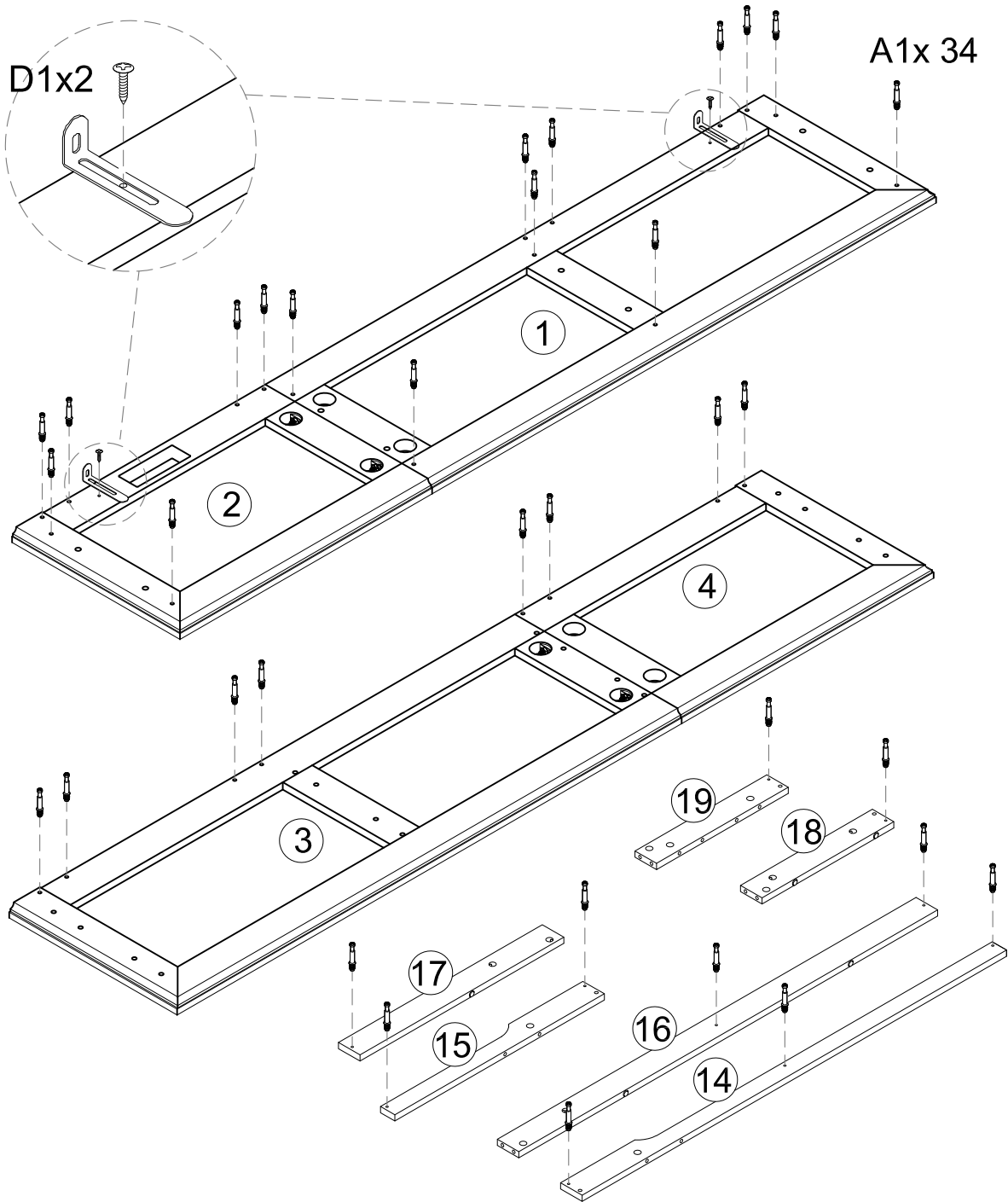
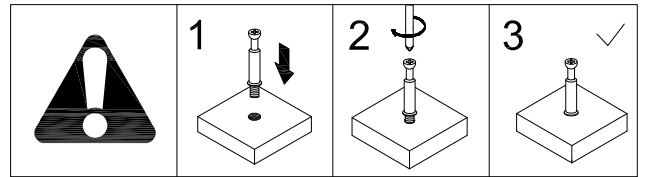


Have an assembly question or need a replacement part?
Please contact with our customer service.

Assemble

Step 14



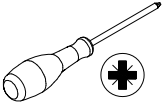

					
A1	34PCS	D1	2PCS		

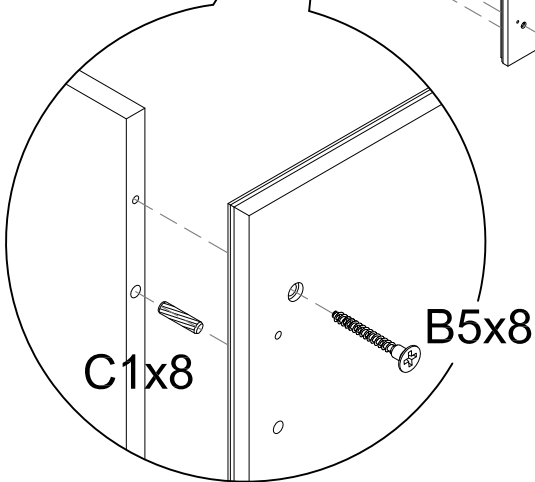
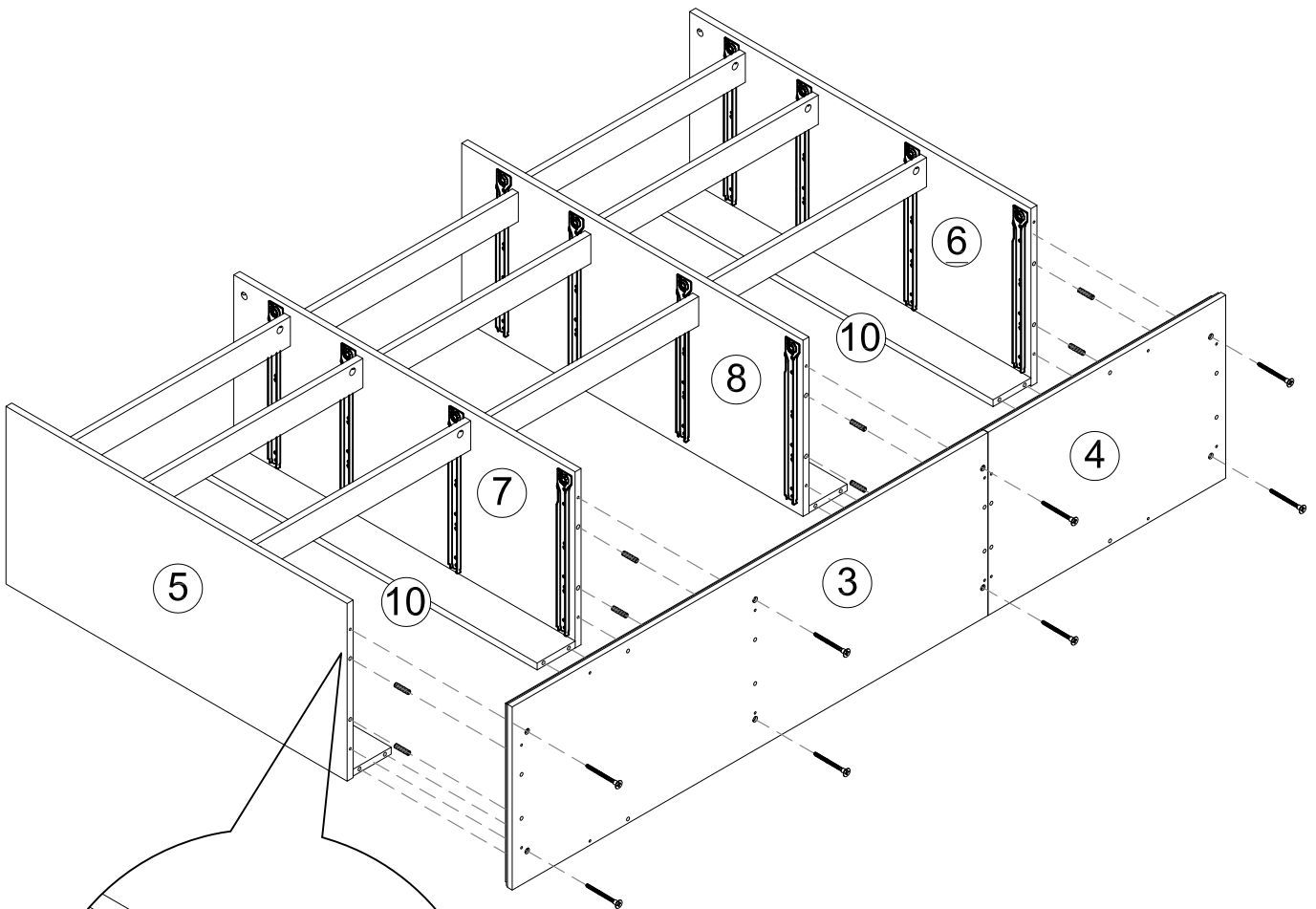


Have an assembly question or need a replacement part?
Please contact with our customer service.

Assemble

Step 15



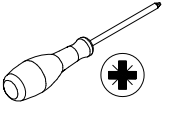
						
B5	8PCS	C1	8PCS			

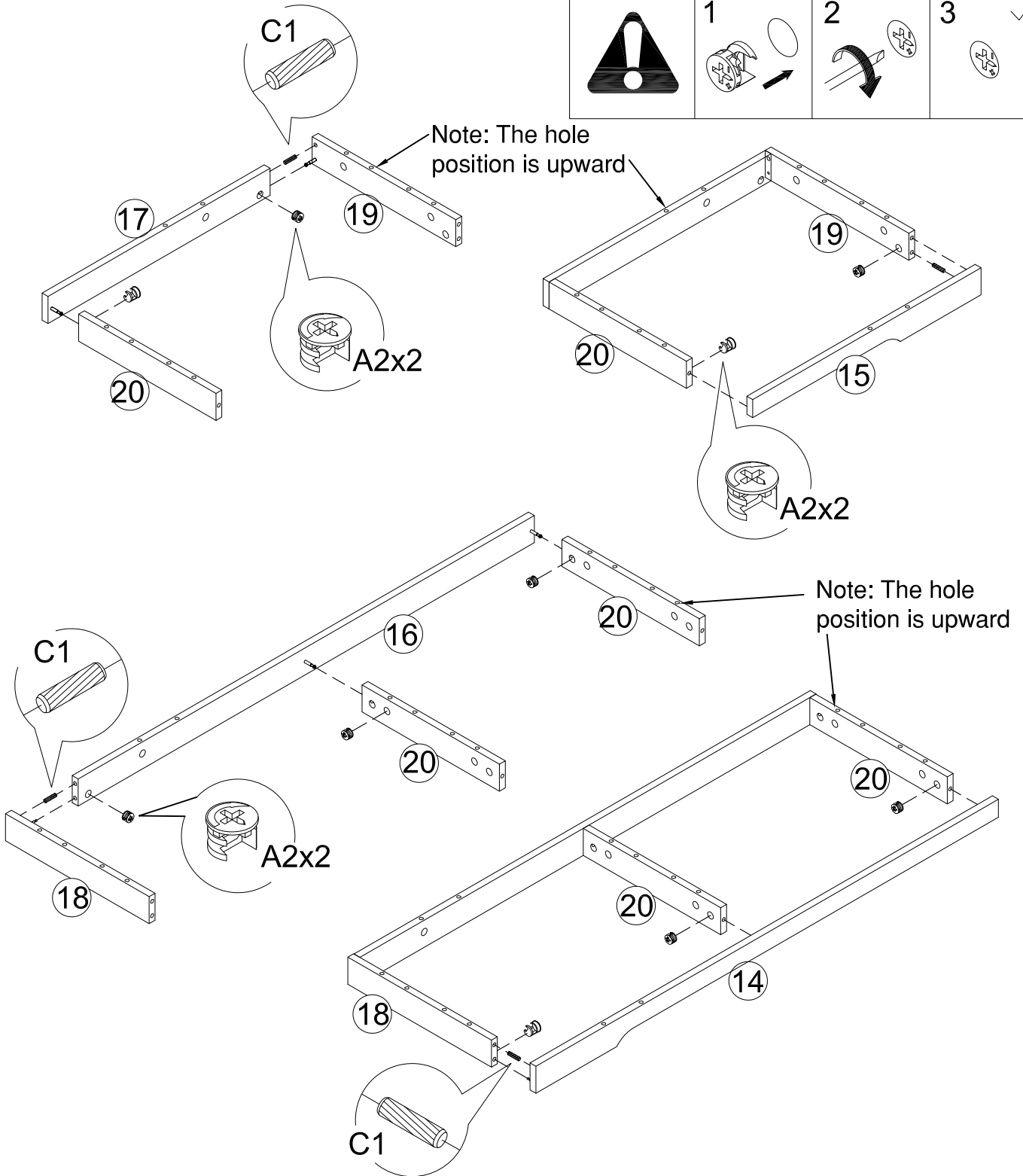
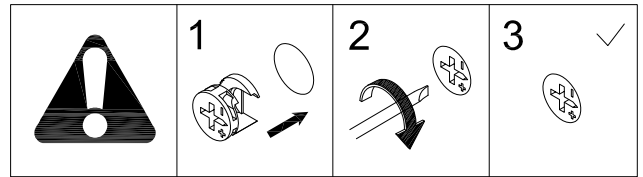


Have an assembly question or need a replacement part?
Please contact with our customer service.

Assemble

Step 16

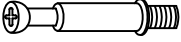


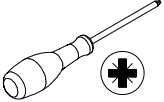
						
A2	10PCS	C1	4PCS			

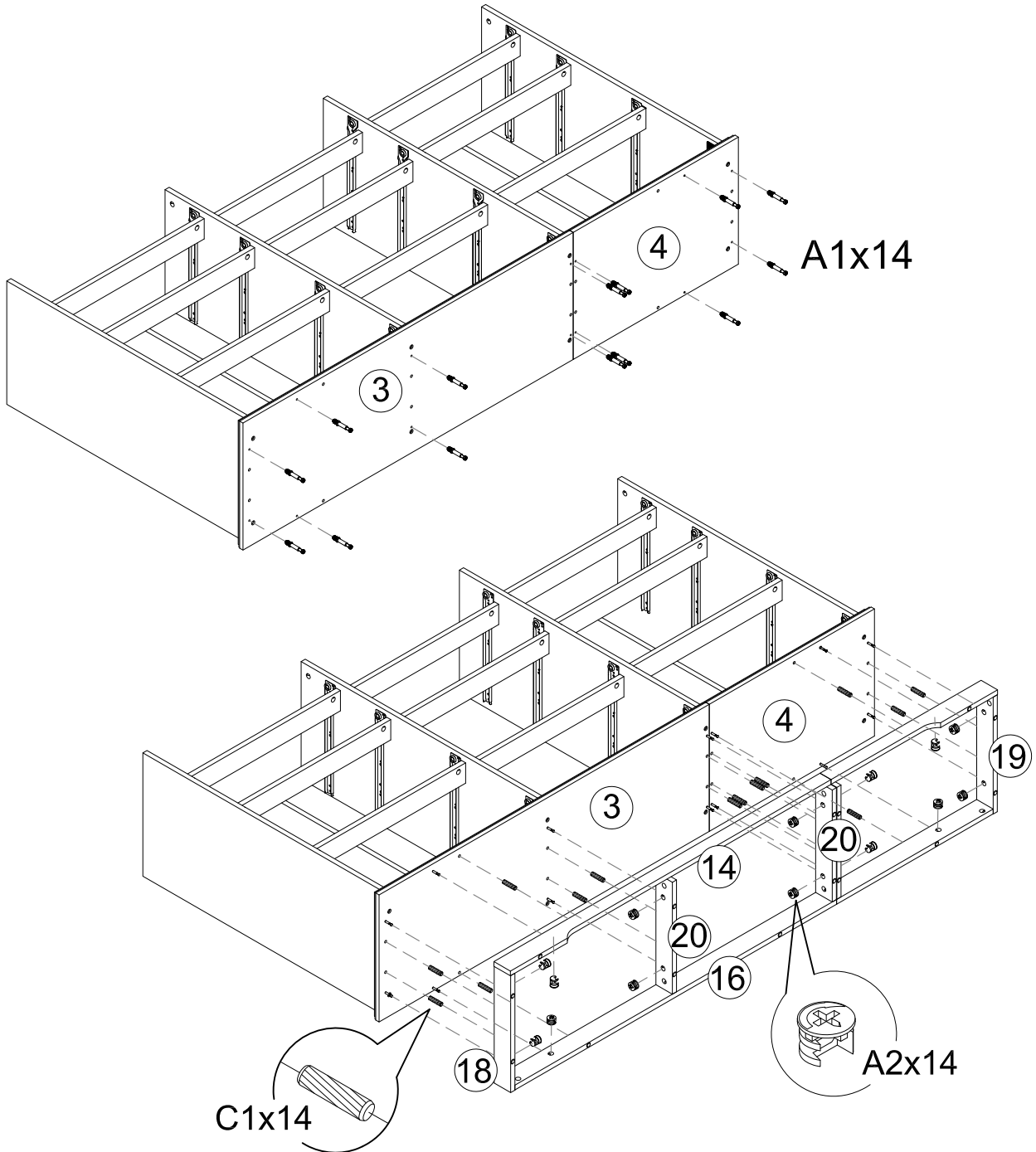
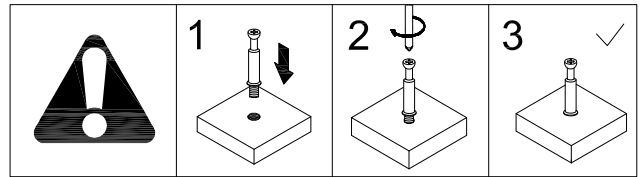


Have an assembly question or need a replacement part?
Please contact with our customer service.

Assemble

Step 17



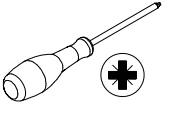
				
A1 14PCS	A2 14PCS	C1 14PCS		

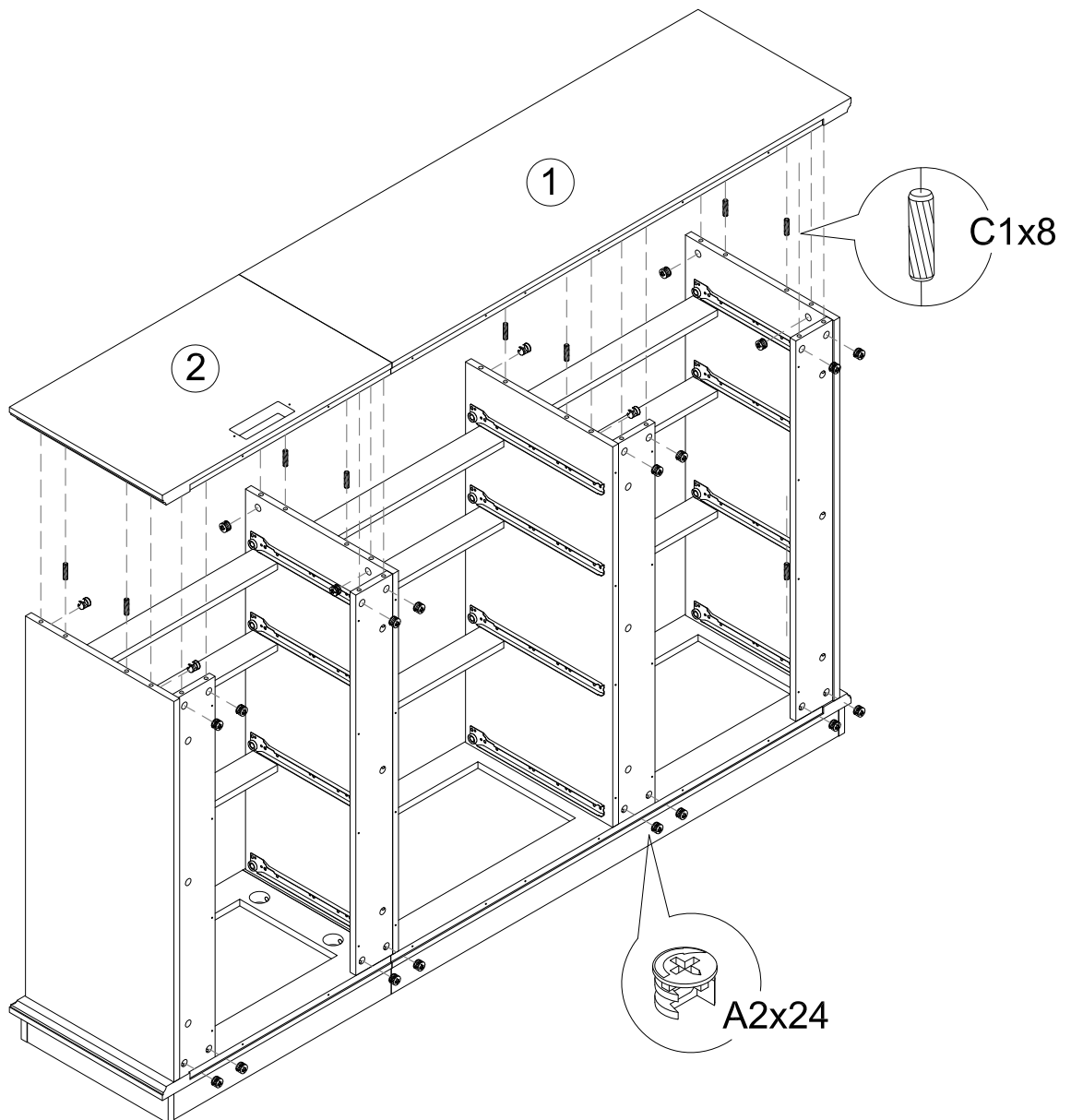
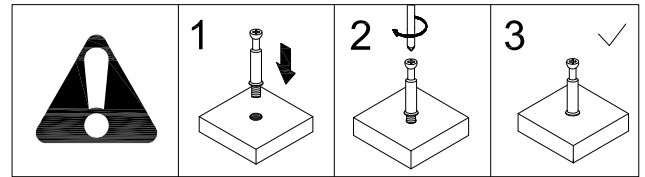


Have an assembly question or need a replacement part?
Please contact with our customer service.

Assemble

Step 18

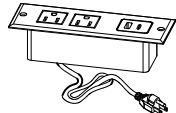

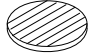
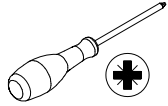
					
A2	24PCS	C1	8PCS		

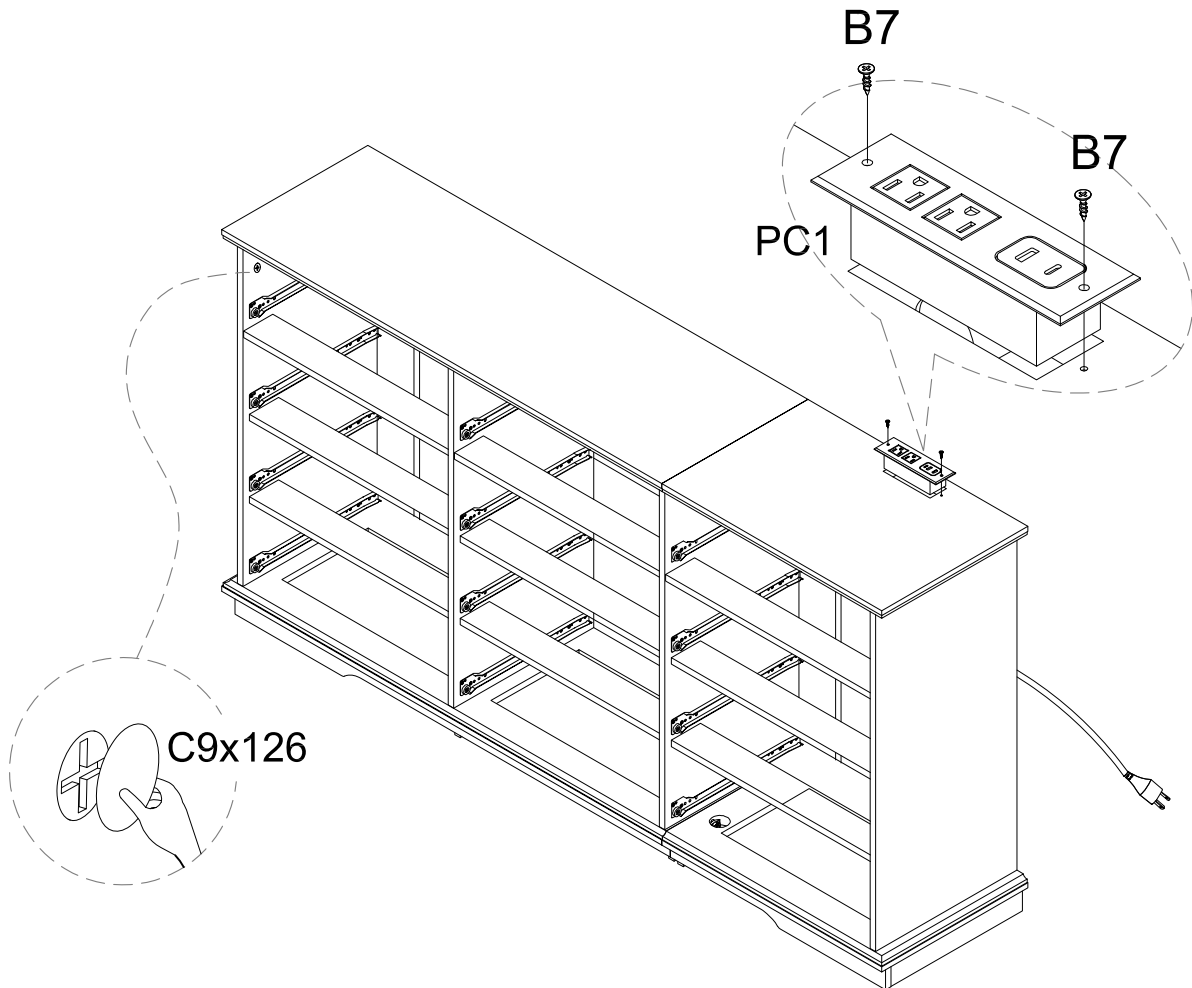


Have an assembly question or need a replacement part?
Please contact with our customer service.

Assemble

Step 19


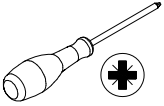
								
PC1	1PC	B7	2PCS	C9	126PCS			

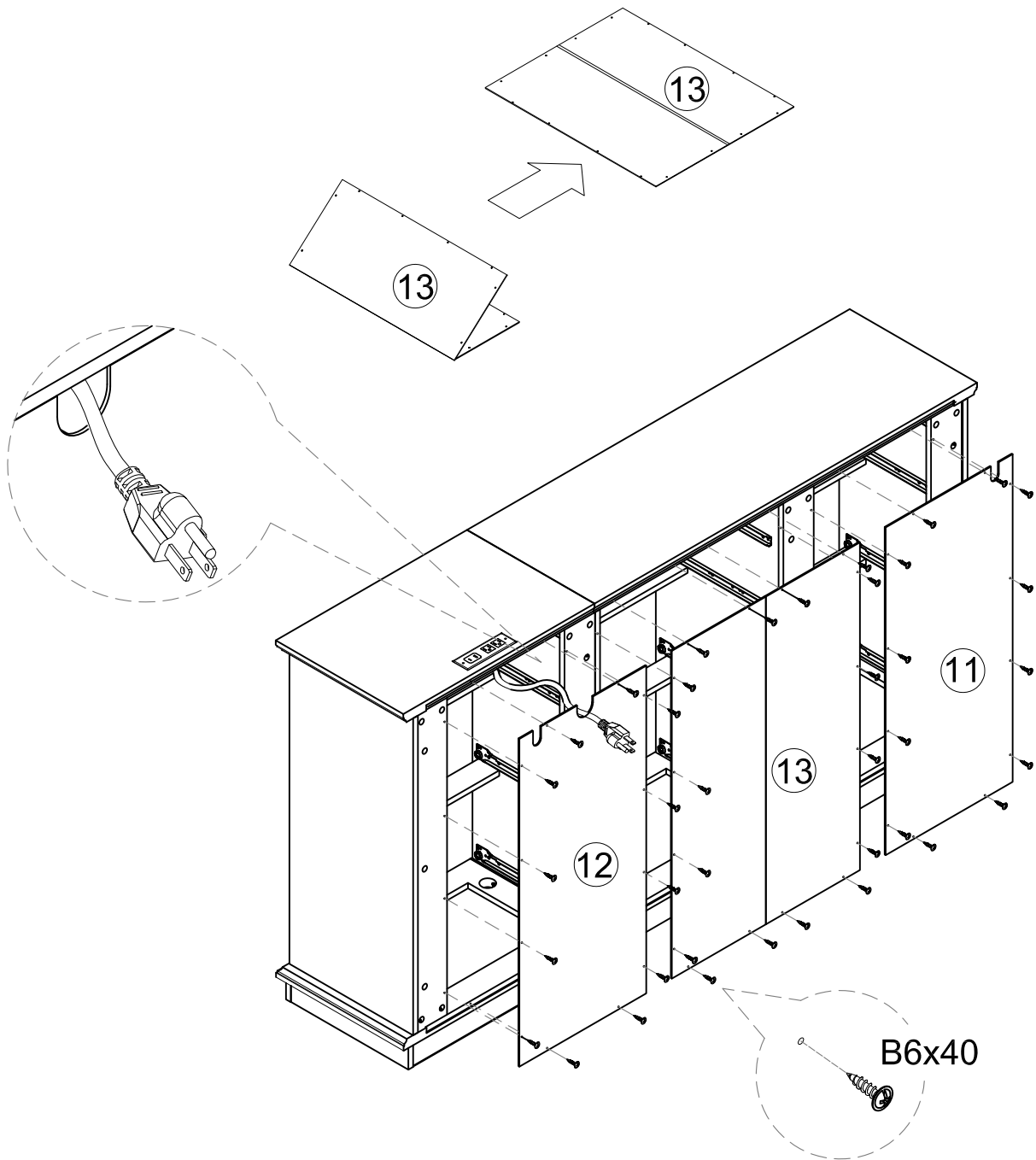


Have an assembly question or need a replacement part?
Please contact with our customer service.

Assemble

Step 20

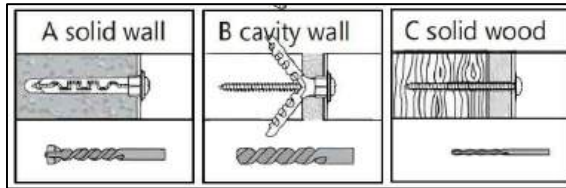
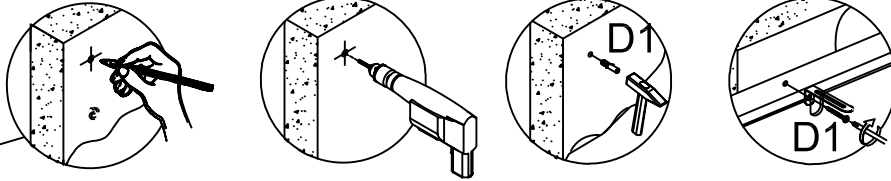
							
B6	40PCS						



Have an assembly question or need a replacement part?
Please contact with our customer service.

Assemble

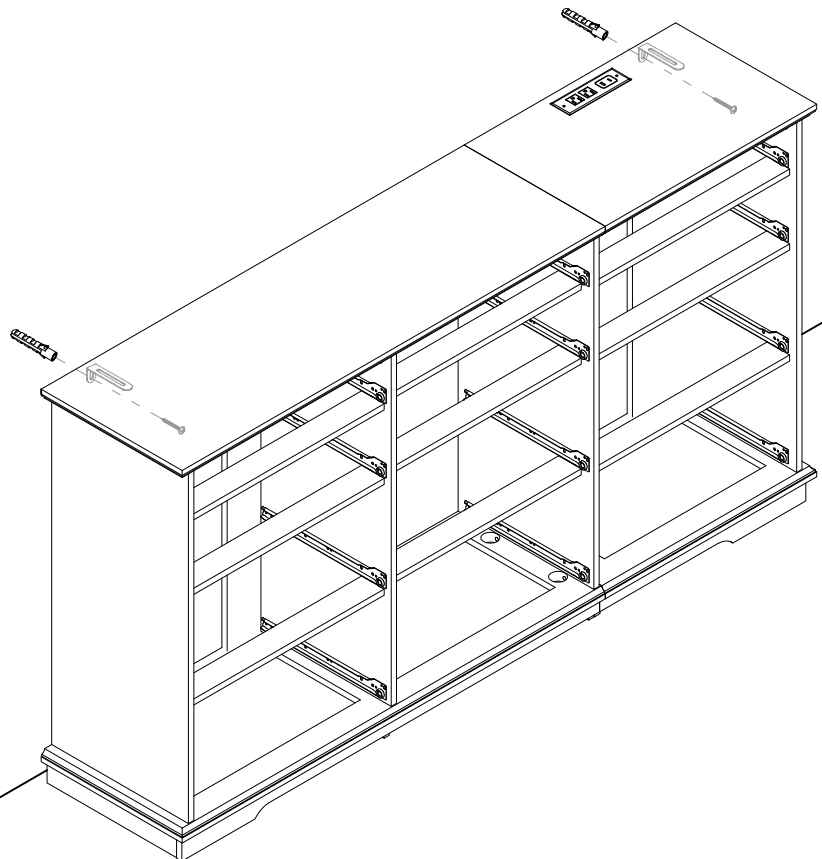
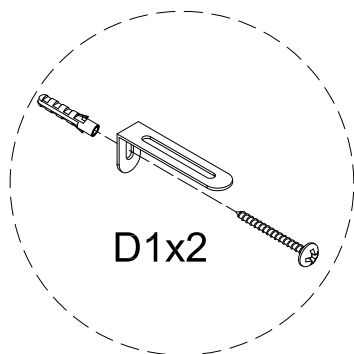
Step 21



⚠ Warning: If you overturn the furniture, it may cause serious or fatal crushing injuries. We have a wall connection device attached, please use it to hold the furniture following these instructions.

1. Mark the corresponding hole positions where you want to place the furniture;
2. Use a impact drill to drill holes and pay attention to avoid wires and water pipes;
3. Knock the expansion pipes into the wall holes;
4. Place the furniture in the corresponding position and tighten the wall connection device with screws.

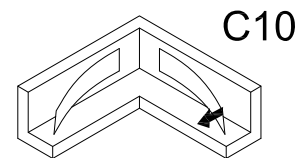
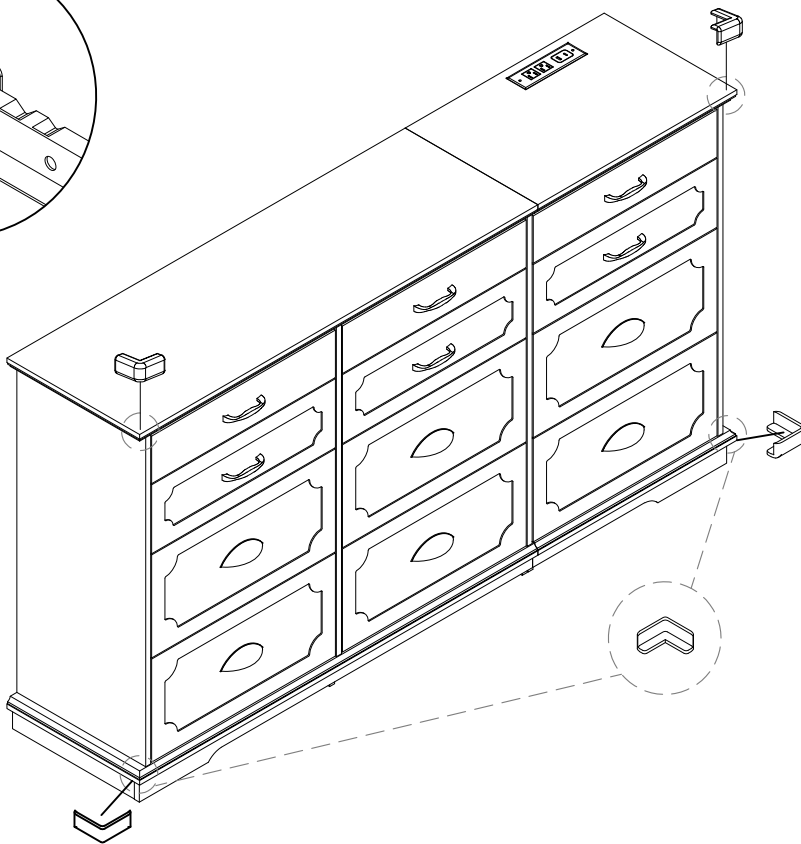
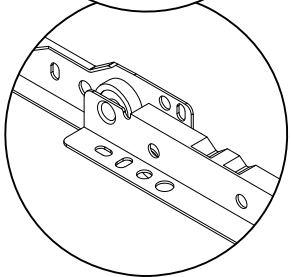
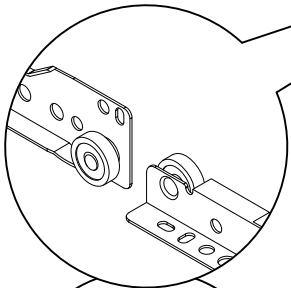
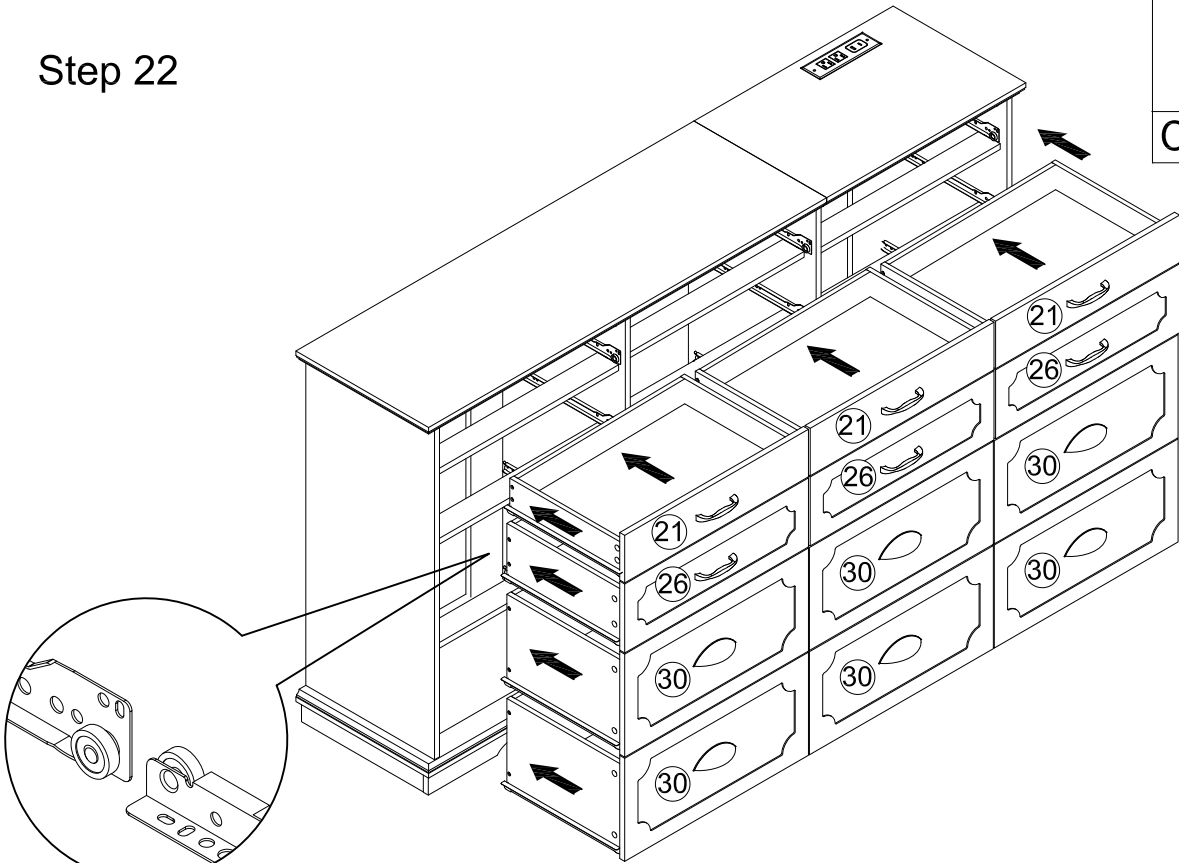
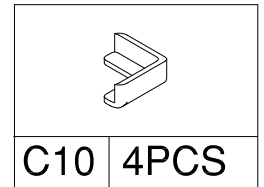
WALL



Have an assembly question or need a replacement part?
Please contact with our customer service.

Assemble

Step 22



After tearing off the inner adhesive tape of the hardware M, stick it to the corresponding position

Have an assembly question or need a replacement part?
Please contact with our customer service.