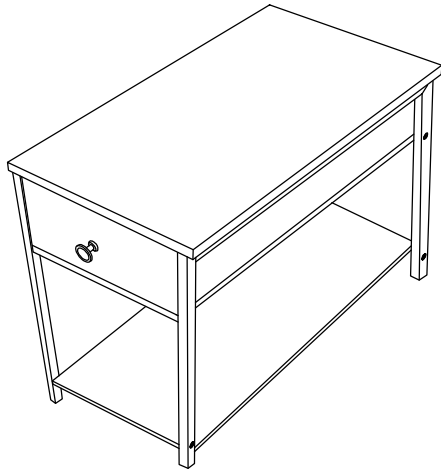
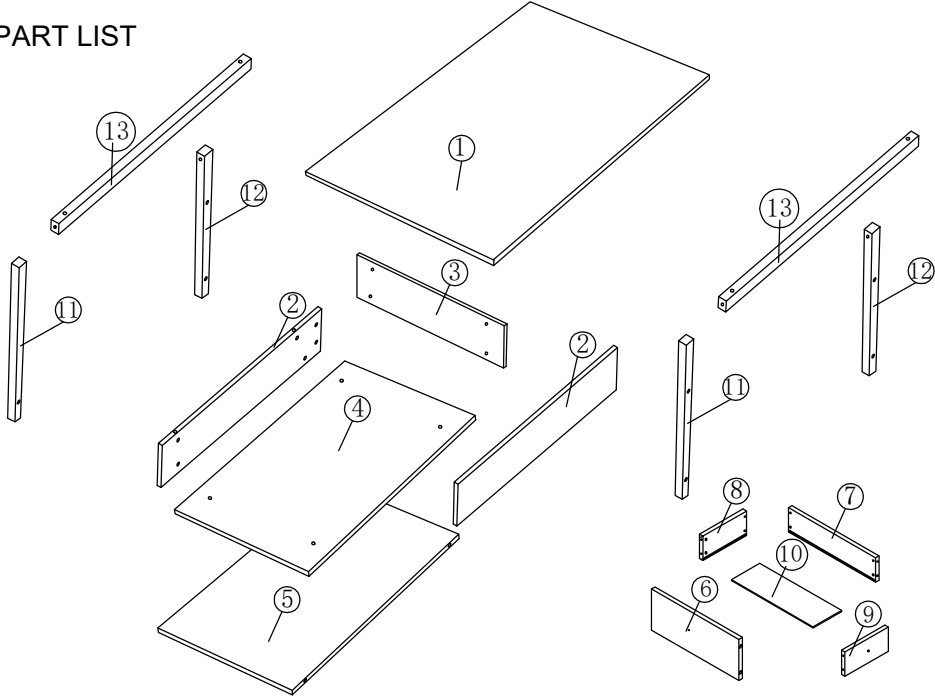


ASSEMBLY INSTRUCTIONS



A		X16
B		X16
C		X6
D		X12
E		X1
F		X1
G		X1
H		X8
I		X4
J		X4
K		X2

PART LIST



600*295mm	564*186mm X2	204*186mm	580*234mm
580*234mm	560*184mm 	170*184mm	231*184mm
542*178*5mm	X2	X2	X2

<p>1</p>	<p>2</p>
<p>3</p>	<p>4</p>

