

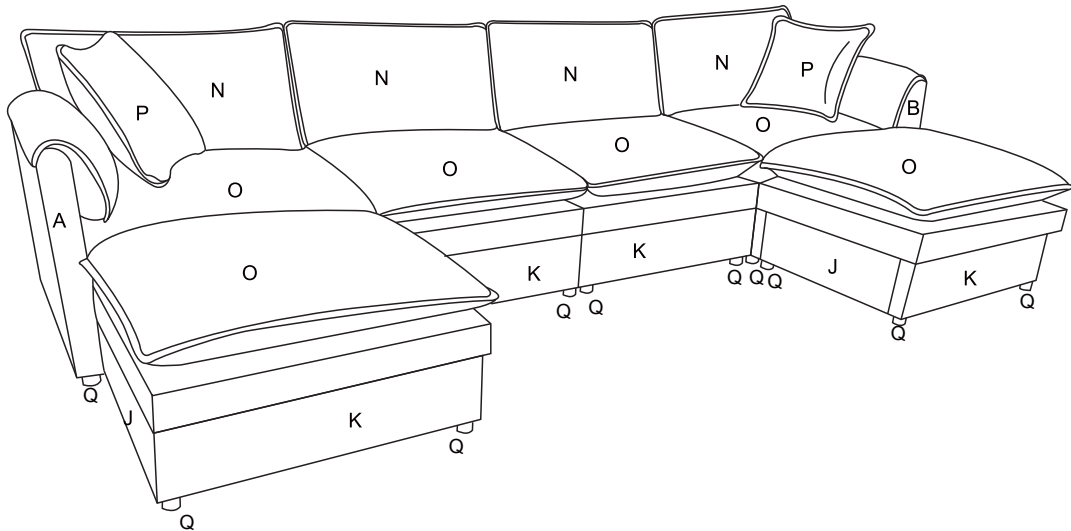
ASSEMBLY INSTRUCTION

WF532056

WF532057

WF532058

WF532059



Return & Warranty policy:





-We strive to offer the highest quality products, and we also try our best to satisfy each and every customer that orders from us with replacement parts or service as needed.

-If the item is damaged or defective, please take photos as evidence for replacements and refunds.






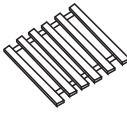

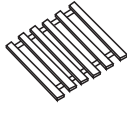
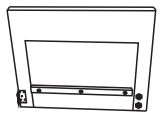

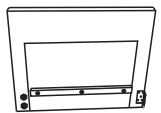
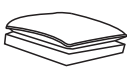
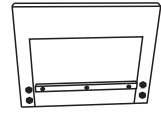

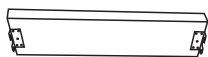


-please do not return to store, contact the seller if you have any troubles with this product.

ASSEMBLY INSTRUCTION


HARDWARE LIST

NO	DESCRIPTION	SKETCH	QTY	NO	DESCRIPTION	SKETCH	QTY
①	Bolt M8*35		48PCS	③	Allen key M5		1PC
②	Gasket Ø22		48PCS	④	Gloves		2PCS

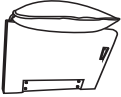

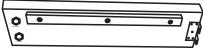
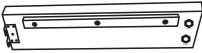

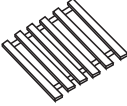
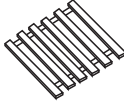
PARTS LIST

NO	DESCRIPTION	SKETCH	QTY	NO	DESCRIPTION	SKETCH	QTY
A	Left armrest		1PC	J	Ottoman side board		4PCS
B	Right armrest		1PC	K	Front board		6PCS
C	Left front board		1PC	L	Wood strip		4PCS
D	Right front board		1PC	M	Ottoman wood strip		2PCS
E	Left backrest		1PC	N	Backrest pillow		4PCS
F	Right backrest		1PC	O	Seat cushion		6PCS
G	Middle backrest		2PCS	P	Armrest pillow		2PCS
H	Right side board		3PCS	Q	Leg		24PCS
I	Left side board		3PCS				

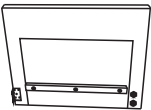
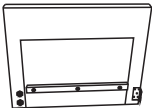
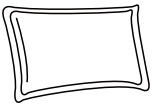
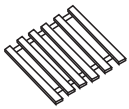
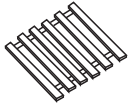
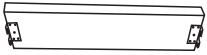
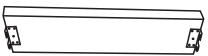
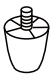
PARTS LIST WF532056

NO	DESCRIPTION	SKETCH	QTY
O	Seat cushion	 A simple line drawing of a rectangular seat cushion, shown from a slightly elevated perspective. It has a top surface, a bottom surface, and two side surfaces, with lines indicating its thickness and shape.	6

PARTS LIST WF532057

NO	DESCRIPTION	SKETCH	QTY
A	Left armrest		1
B	Right armrest		1
C	Left front board		1
D	Right front board		1
K	Front board		6
L	Wood strip		2
M	Ottoman wood strip		1

PARTS LIST WF532058

NO	DESCRIPTION	SKETCH	QTY
E	Left backrest		1
F	Right backrest		1
N	Backrest pillow		4
L	Wood strip		2
M	Ottoman wood strip		1
H	Right side board		3
I	Left side board		3
Q	Leg		24

Hardwares

①	Bolt M8*35		48PCS	③	Allen key M5		1PC
②	Gasket Ø22		48PCS	④	Gloves		2PCS

PARTS LIST WF532059

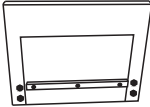
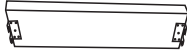

NO	DESCRIPTION	SKETCH	QTY
G	Middle backrest		2
J	Ottoman side board		4
P	Armrest pillow		2

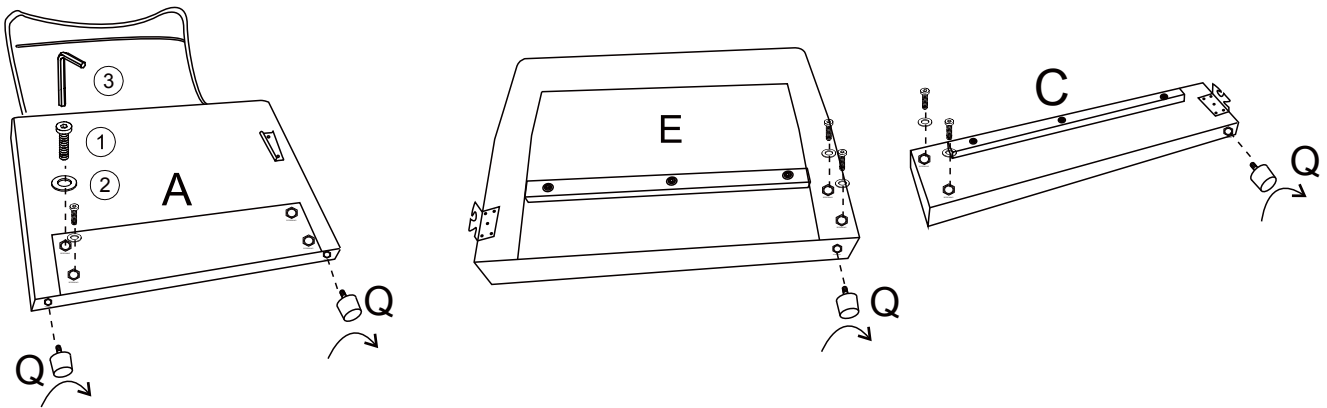
DIAGRAM1: 1. Please wear gloves before installation,thank you.



2. Install the Leg(Part Q*4PCS)on Left armrest (Part A), Left backrest(Part E),and Left front board (Part C).
3. Use Allen key M5(Hardwares)to install the Bolt M8*35 (Hardwares *6PCS) and GasketØ22(Hardwares *6PCS)

On Left armrest(Part A),Left backrest(Part E),and Left front board (Part C),and tighten them all to 50%.

Q		4PCS
①	M8*35	6PCS
②		6PCS
④		2PCS



- DIAGRAM2: 1.Use the latch to connect the Left backrest(Part E) to the higher parts of Left armrest (Part A).
- 2.Connect the lower part of Left armres(Part A)and Left backrest(Part E) with Bolt M8*35(Hardwares * 2PCS) and Gasket Ø22 (Hardwares *2PCS) and tighten the screws.

①	M8*35	2 PCS
②		2PCS

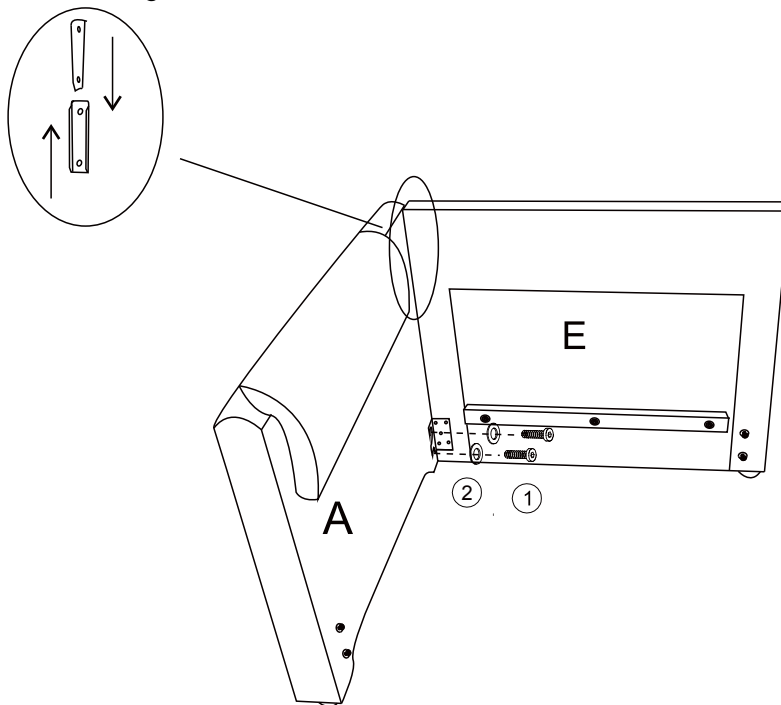


DIAGRAM3: 1.Connect Left armrest(Part A) and Left front board (Part C) and Right side board(Part H),Right side board(Part H) and Left backrest (Part E) with Hardwares and tighten the screws .

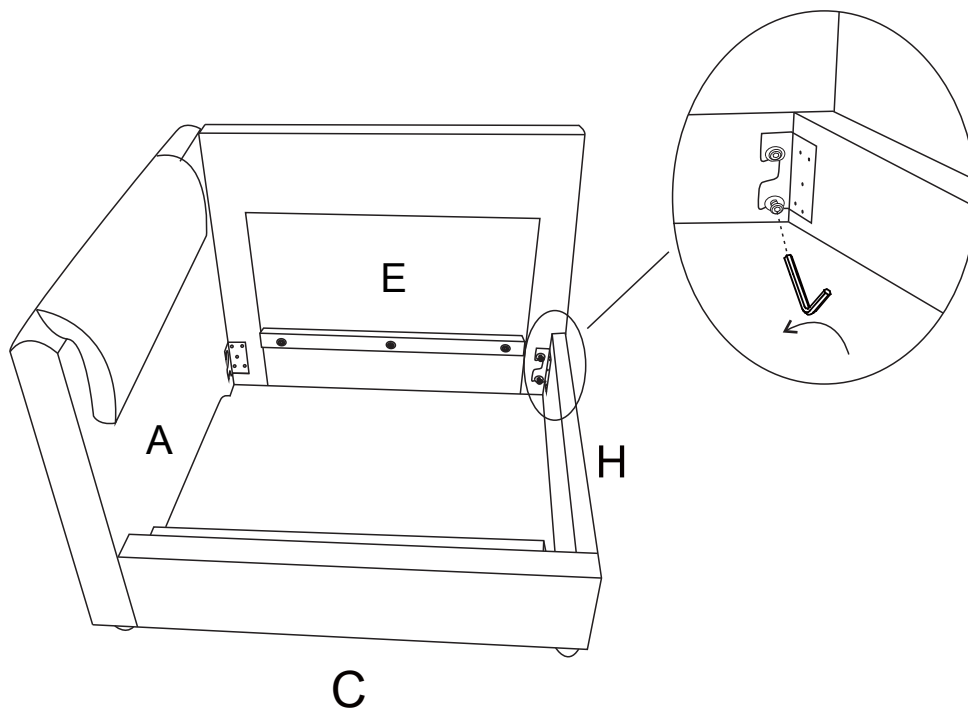
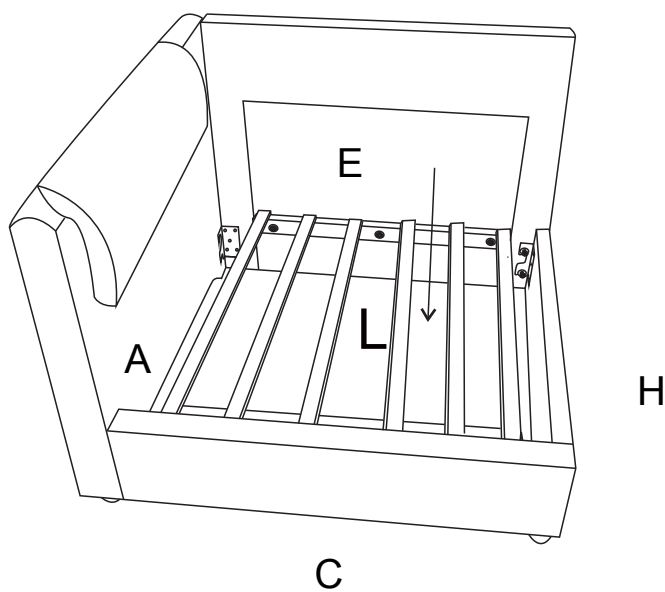

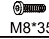



DIAGRAM4: 1. Unfold the Wooden strip (Part L* 1PCS) and stick it in the middle of the Left seat frame.



DIAGRAEM5: 1. Install the Leg (Part Q*4PCS) on Right armrest (Part B)

backrest(Part F),and Right front board (Part D).
 2.Use Allen key M5 (Hardware) to install the Bolt M8*35 (Hardware *6PCS) and GasketØ22 (Hardware *6PCS)on Right armrest (Part B),Right backrest (Part F), and Right front board (Part D),and tighten them all to 50%.

Q		4 PCS
①	 M8*35	6 PCS
②		6 PCS

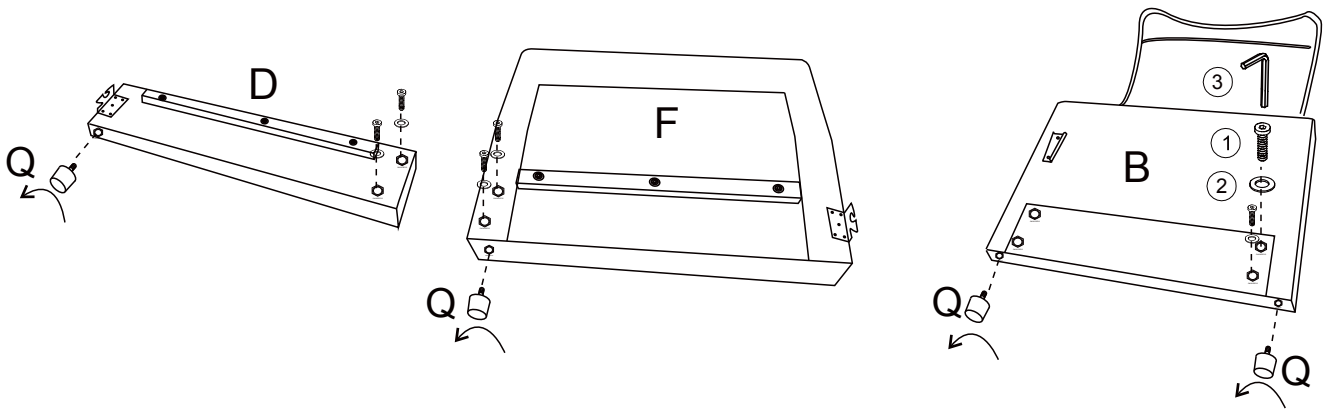
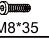



DIAGRAM6: 1.Use the latch to connect the Right backrest (Part F) to the higher parts of Right armrest(Part B).
 2.Connect the lower part of Right backrst (Part F) and Right armrest (Part B) with Bolt M8*35(Hardware *2PCS) and GasketØ22(Hardware *2PCS)and tighten the screws.

①	 M8*35	2PCS
②		2PCS

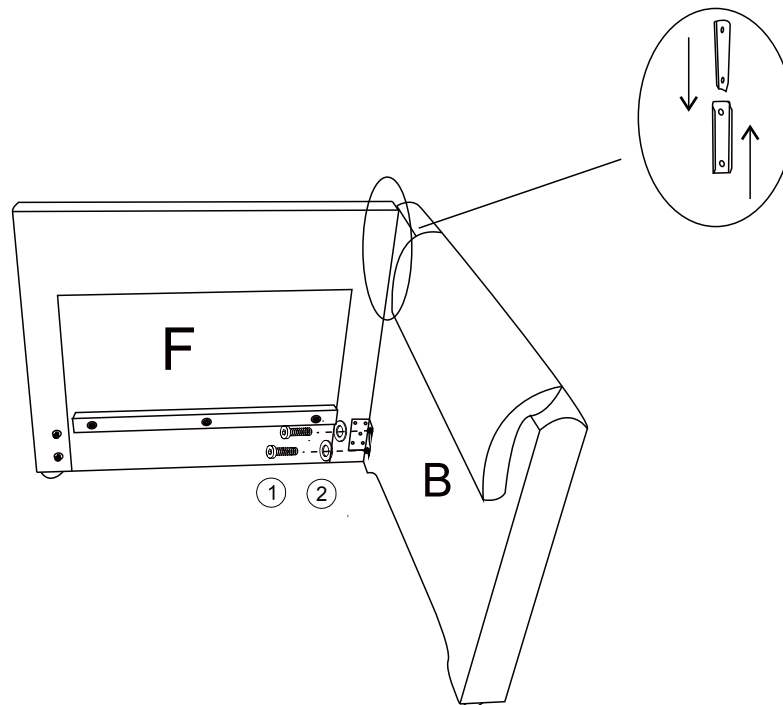


DIAGRAM7: 1. Connect Right armrest (Part B) and Right front board(Part D), Left side board(Part I) and Right front board(Part D),Left side board (Part I) and Right backrest (Part F) with Hardwares and tighten the screws .

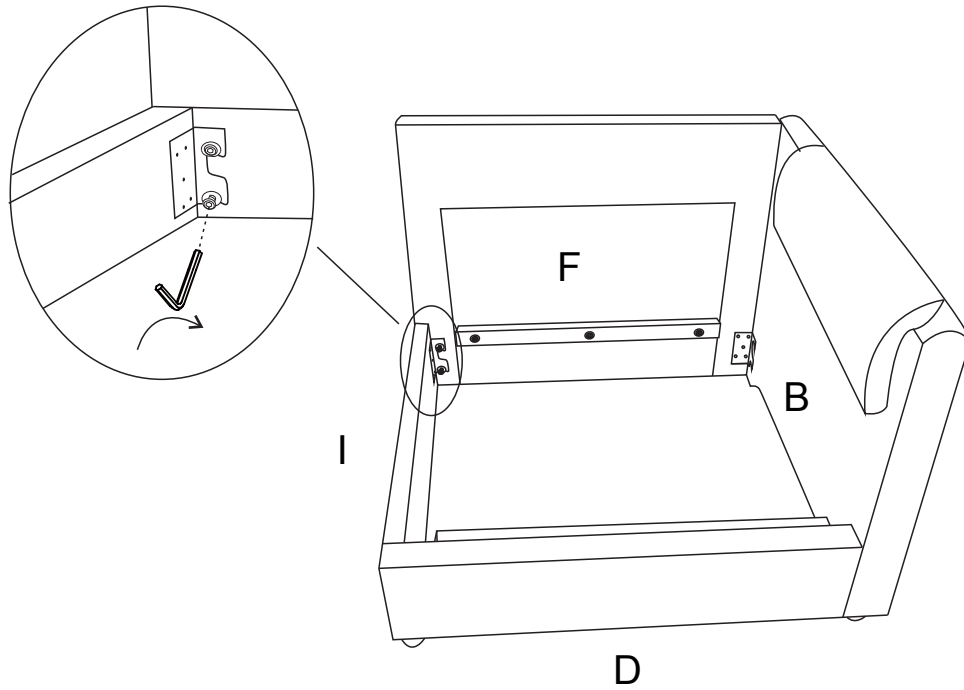


DIAGRAM8: 1. Unfold the Wooden strip (Part L* 1PCS) and stick it in the middle of the Right seat frame.

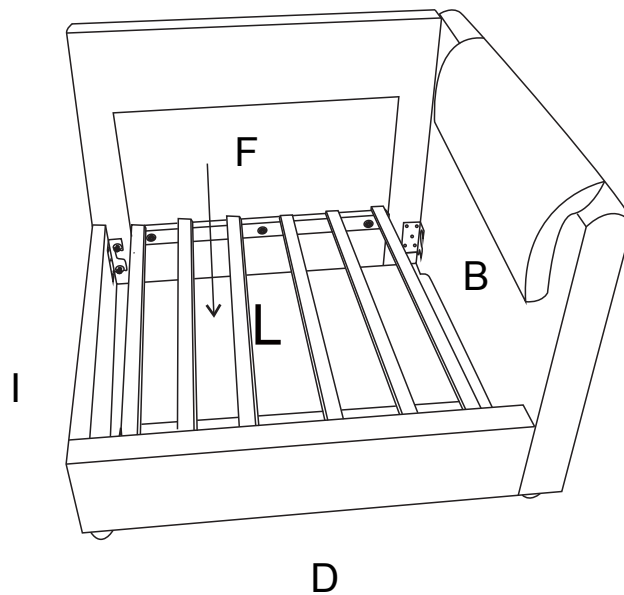



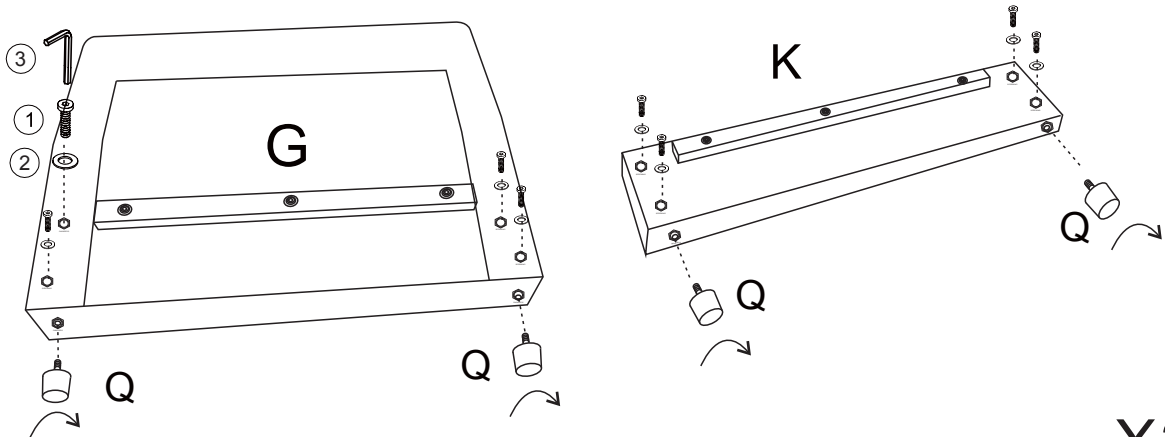


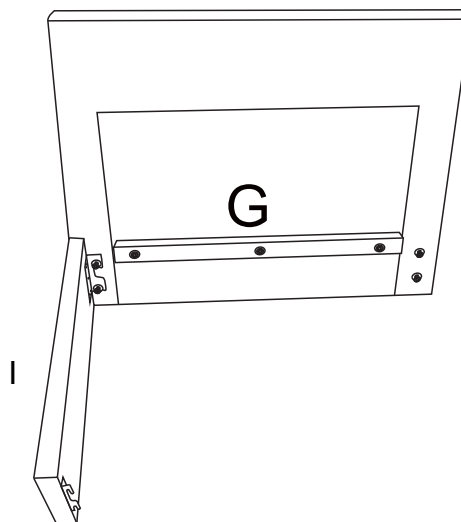
DIAGRAM9: 1. Install the Leg (Part Q*4 PCS) on Middle backrest (Part G), Front board (Part K).
 2. Use Allen key M5(Hardwares③) to install the Bolt M8*35 (Hardwares①*16PCS) and Gasket Ø22(Hardwares②*16PCS on Middle backrest(Part G), Front board(Part K), and tighten them all to 50%.

Q		8PCS
①	 M8*35	16 PCS
②		16 PCS



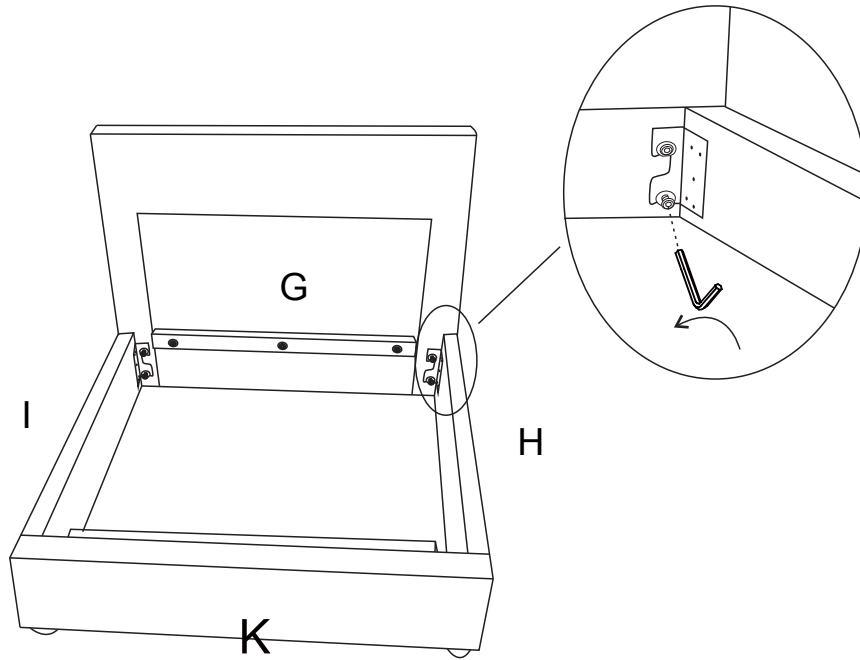
X2

DIAGRAM10: 1. Connect the Left side board (Part I) and Middle backrest (Part G) with Hardwares and tighten the screws .



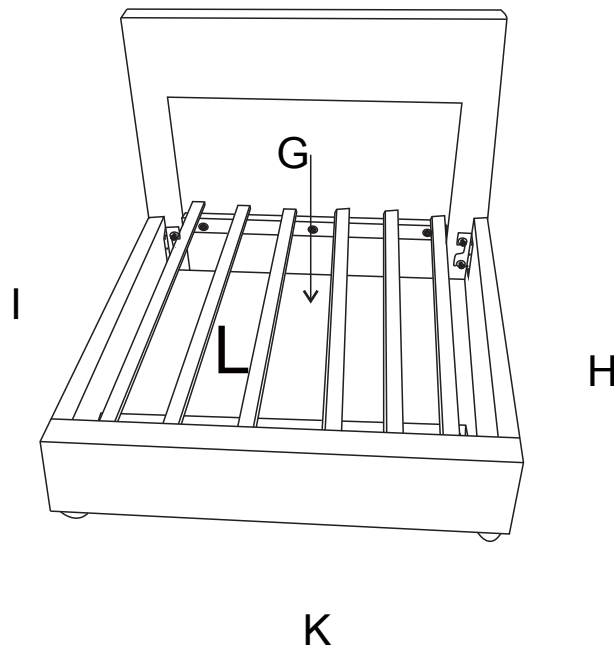
X2

DIAGRAE11: 1. Connect Middle backrest (Part G)and Left side board(Part I) , Front board (Part K) and Left side board (Part I) ,Front board (Part K) and Right side board (Part H)with Hardwares,and tighten the screws .






X2

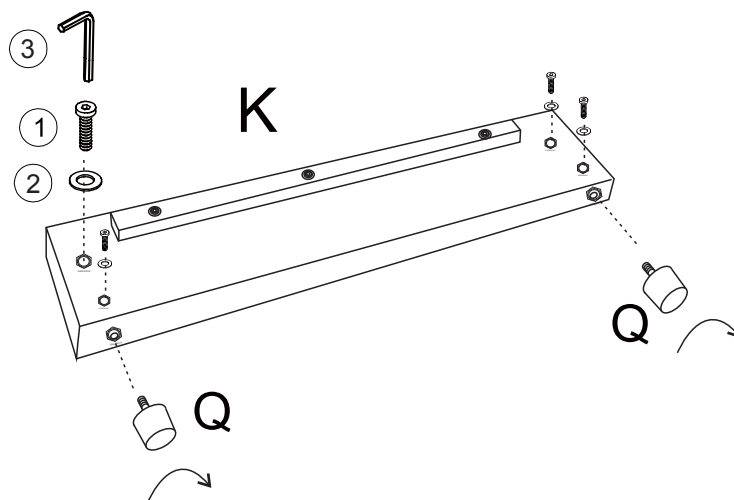
DIAGRAM12 : 1. Unfold the Wooden strip (Part L* 1PCS) and stick it in the middle of the Middle seat frame.



X2

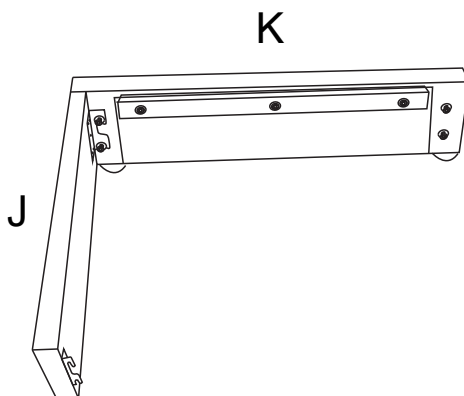
DIAGRAM13: 1. Install the Leg (Part Q*8PCS) on Front board(Part K*4PCS).
 2. Use Allen key M5(Hardwares) to install the Bolt M8*35 (Hardwares *16PCS) and Gasket Ø22(Hardwares *16PCS) on Front board (Part K*4PCS), and tighten them all to 50%.

Q		8PCS
①	 M8*35	16PCS
②		16PCS



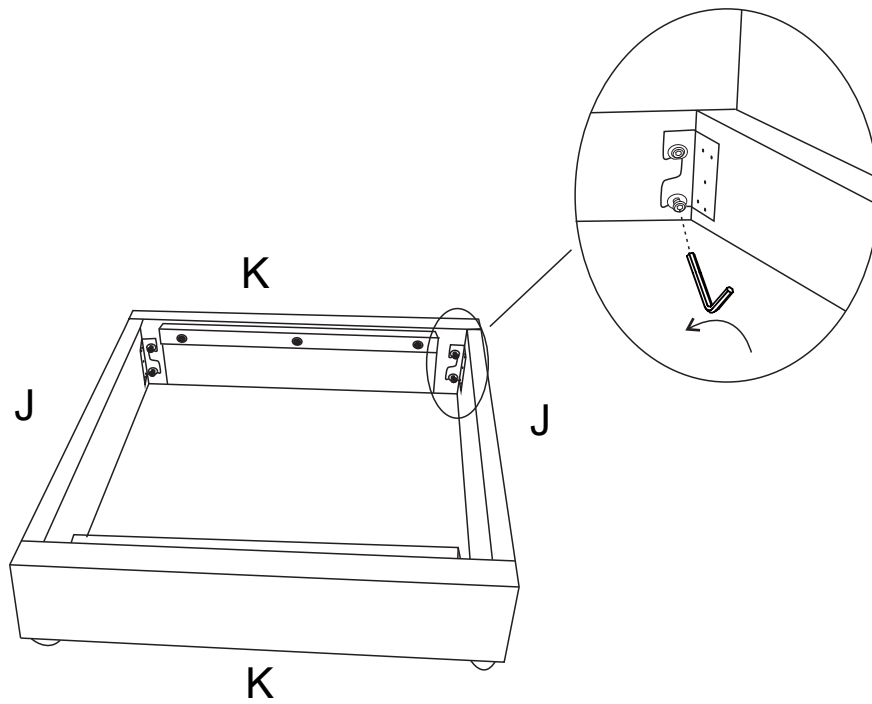
X4

DIAGRA14: 1. Connect the Ottoman side board (Part J)and Front board (Part K) with hardwares and tighten the screws .



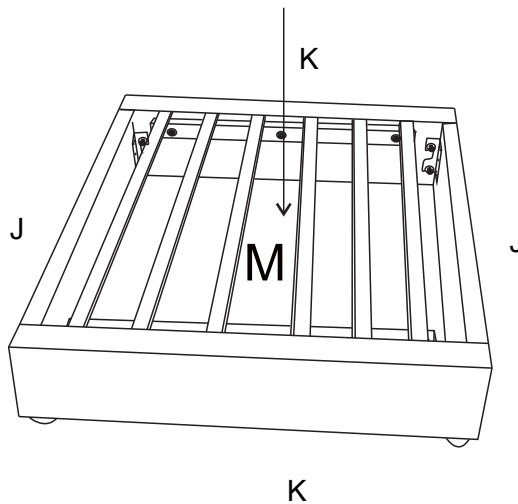
X2

DIAGRAM15: 1. Connect Front board(Part K*2PCS) and Ottoman side board(Part J* 2PCS) with hardwares and tighten the screws .



X2

DIAGRAM16: 1. Unfold the Ottoman wood strip (Part M *2PCS) and stick it in the middle of the Ottoman frames .



X2

DIAGRAM17: 1. Insert the sliding plates of the middle seat frame Left side board(Part I) and the right seat frame Right side board (Part H), insert the sliding plates of the middle seat frame Left side board (Part I) and the middle seat frame Right side board(Part H), and insert the sliding plates of the left seat frame Left side board(Part I).

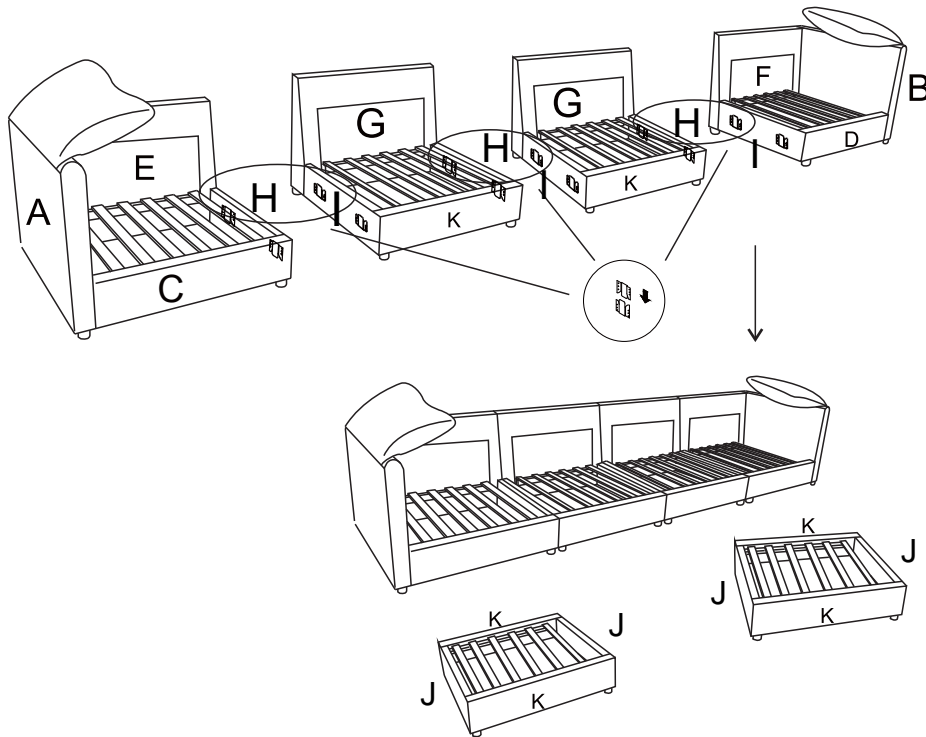


DIAGRAM18: 1. Put Seat cushion (Part O*6PCS) on the Seat frame.

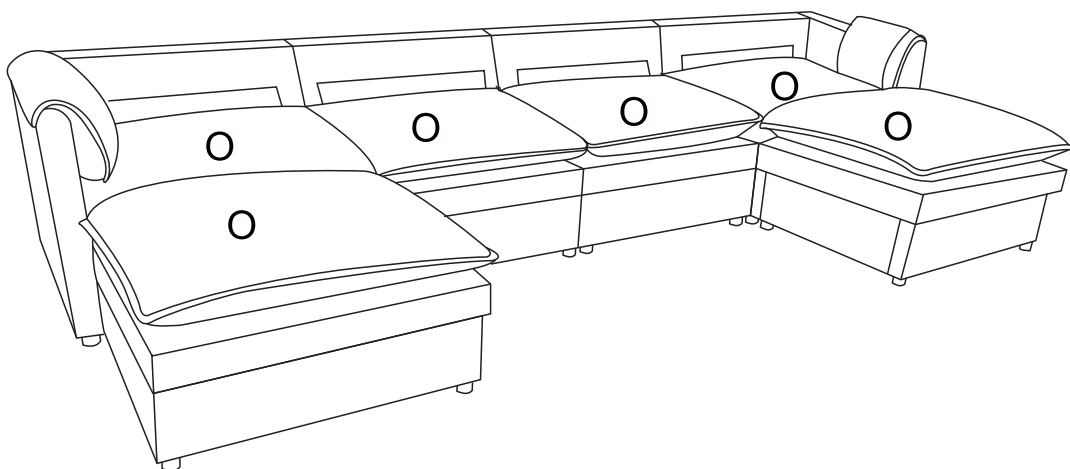
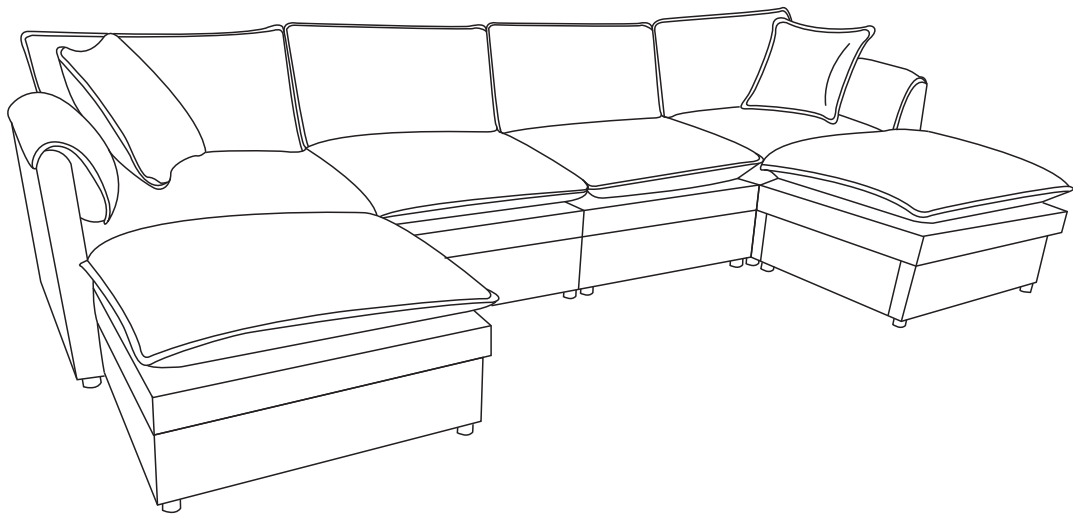


DIAGRAM19: 1.Put Backrest Pillow (Part N*4pcs) and Armrest Pillow (Part P*2pcs) ,
on the sofa.



Complete