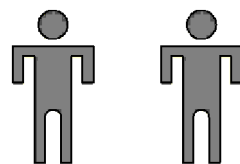
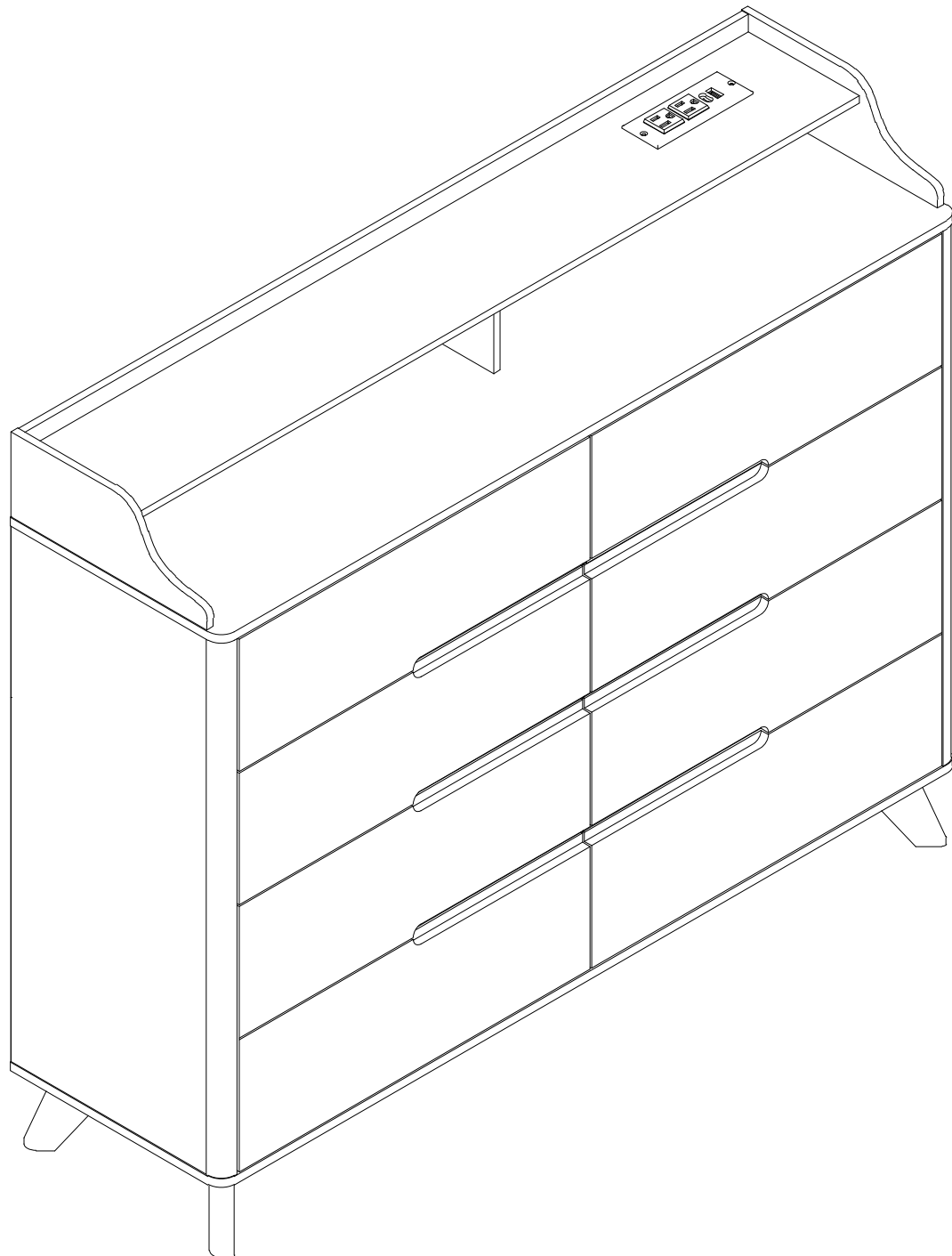
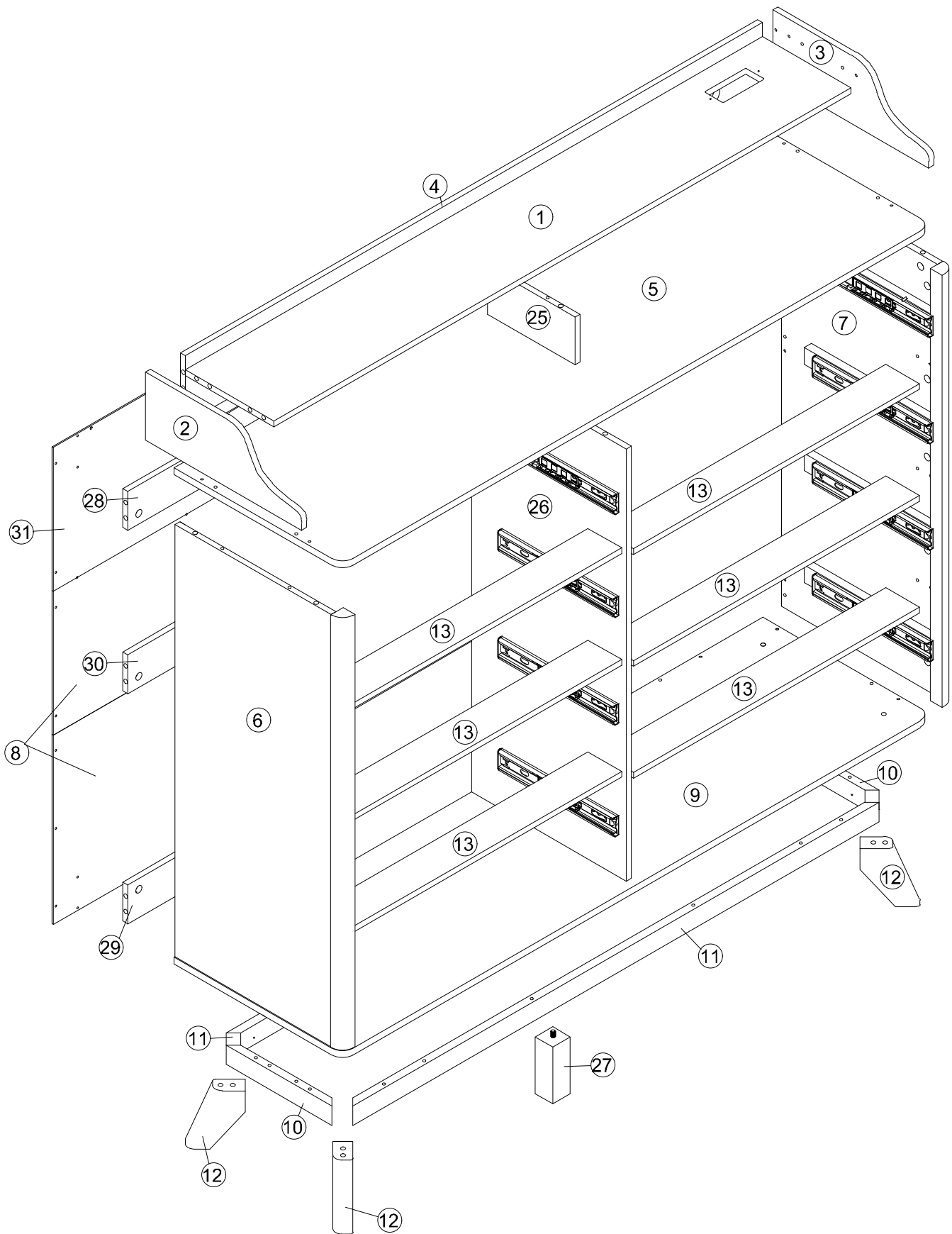


# ASSEMBLY INSTRUCTIONS

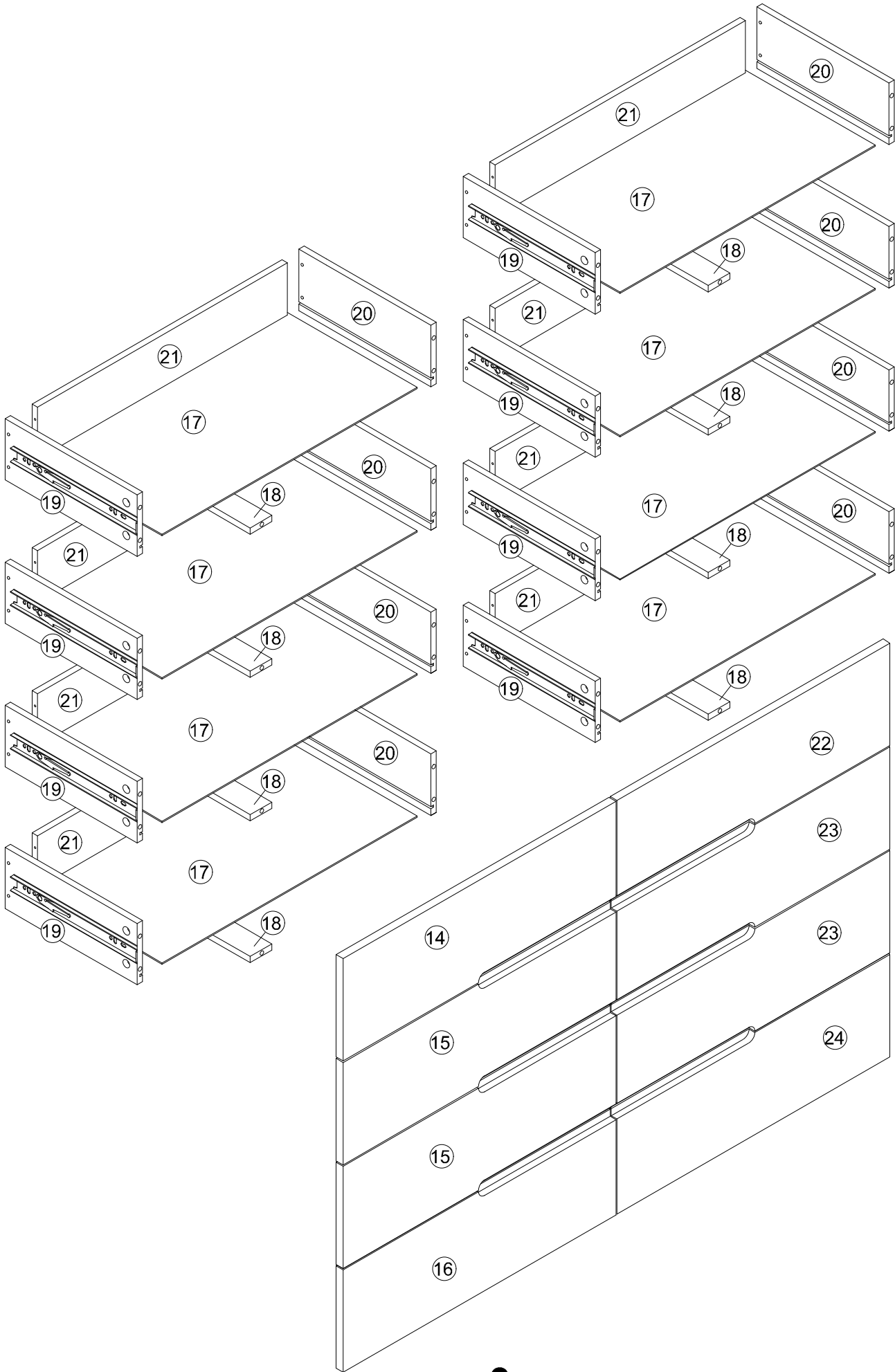


2 people for assembly


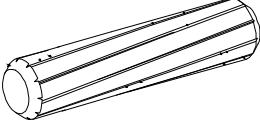

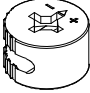
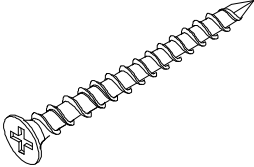
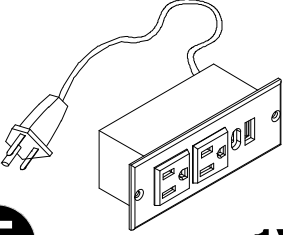
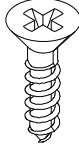

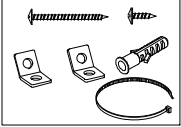
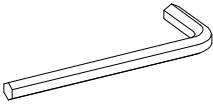
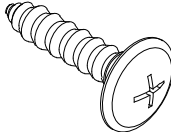
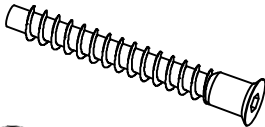
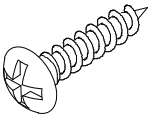
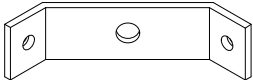
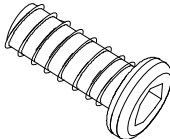
# PACKAGE INCLUDE



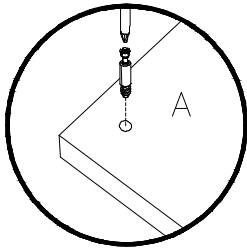
# PACKAGE INCLUDE



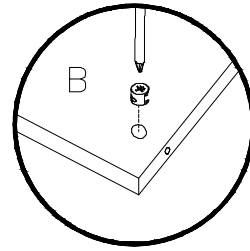
# PACKAGE CONTENT

<p><b>∅5.8X30MM</b></p>  <p><b>A</b>      <b>56X+2</b></p>	<p><b>∅7.8X30MM</b></p>  <p><b>B</b>      <b>12X+1</b></p>	<p><b>∅6X34MM</b></p>  <p><b>C</b>      <b>81X+2</b></p>	<p><b>∅15X9MM</b></p>  <p><b>D</b>      <b>81X+2</b></p>
<p><b>∅4X38MM</b></p>  <p><b>E</b>      <b>86X+2</b></p>	 <p><b>F</b>      <b>1X</b></p>	<p><b>∅3.5X12MM</b></p>  <p><b>G</b>      <b>2X+1</b></p>	 <p><b>H</b>      <b>32X+1</b></p>
 <p><b>I</b>      <b>2X</b></p>	 <p><b>J</b>      <b>1X</b></p>	<p><b>∅3X12MM</b></p>  <p><b>K</b>      <b>34X+1</b></p>	<p><b>∅6*50MM</b></p>  <p><b>L</b>      <b>4X+1</b></p>
<p><b>∅4X14MM</b></p>  <p><b>M</b>      <b>8X+1</b></p>	 <p><b>N</b>      <b>4X</b></p>	<p><b>∅1/4"*22mm</b></p>  <p><b>O</b>      <b>4X+1</b></p>	

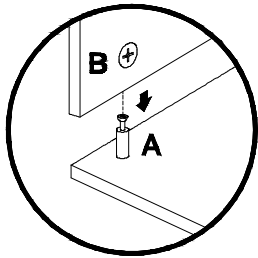
# How to use the cam lock system



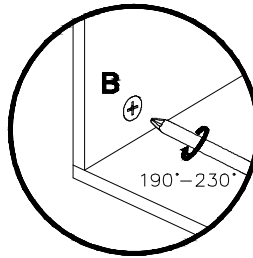
**1. Screw cam bolt into panel**



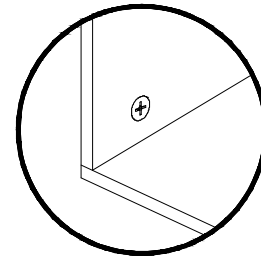
**2. Push cam into panel - arrow feature on cam top points to panel edge**



**3. Align cam bolt(s) with cam(s) and insert all the way into cross-bored hole(s)**

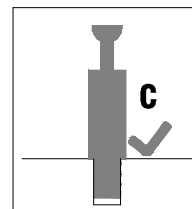
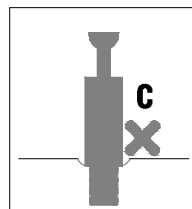
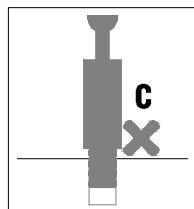
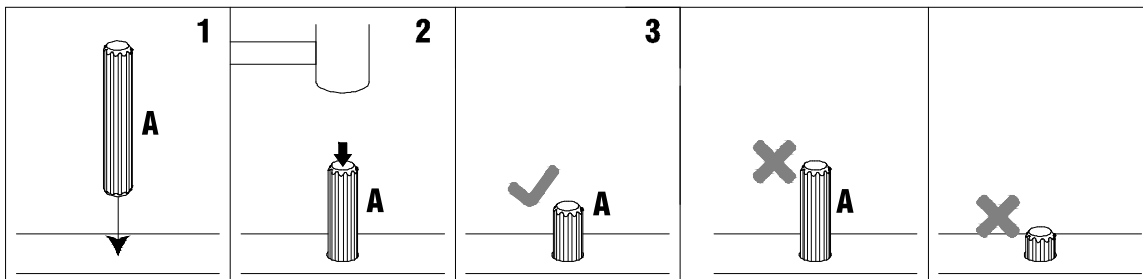


**4. Rotate cam(s) clockwise 190°-230° to lock panels together**



**5. Panels should be tight against each other and connection should be rigid**

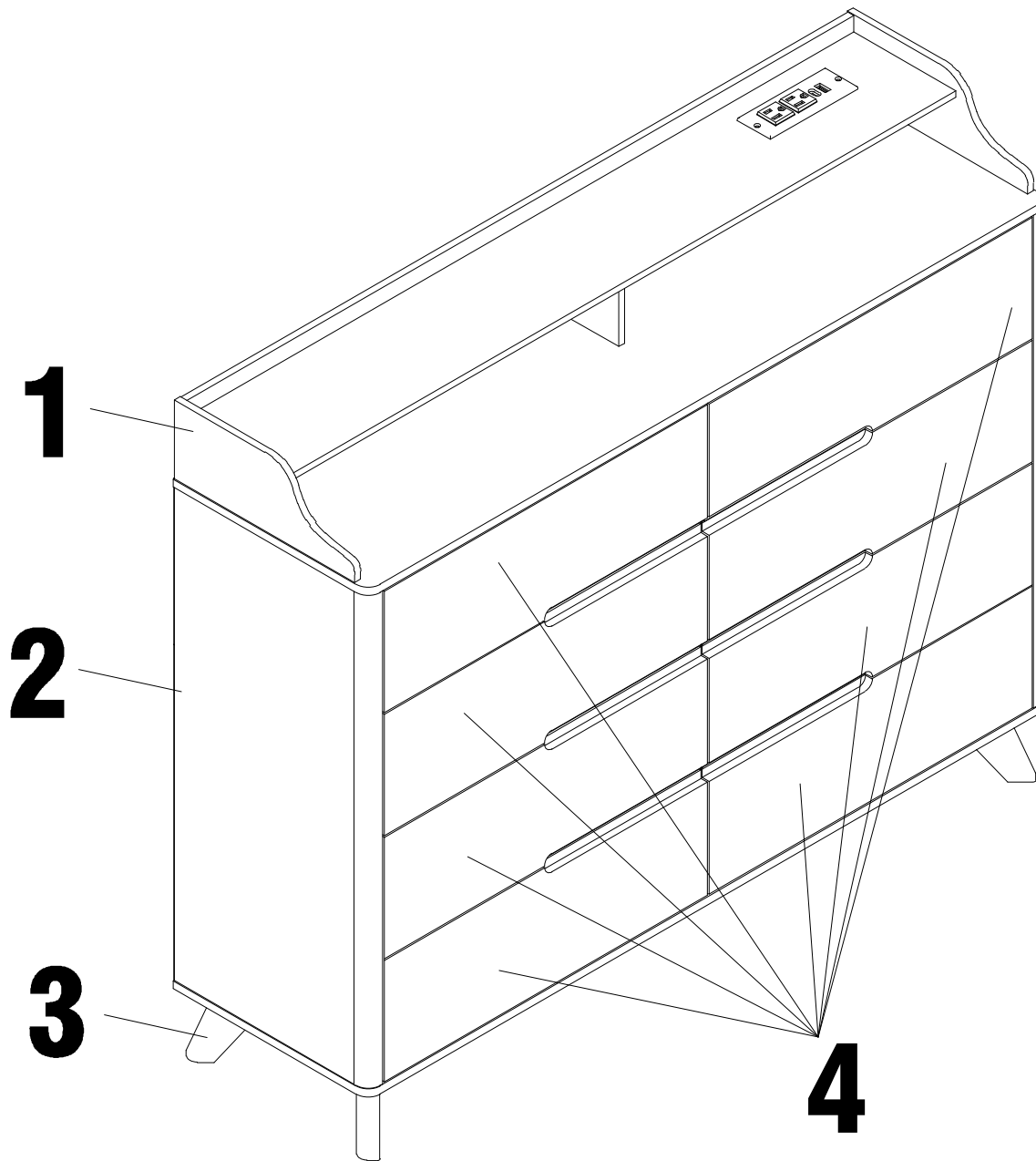
**Insert the wood dowel (A) at least half way by tapping lightly with a rubber mallet, IF NECESSARY**



## **⚠ WARNING**

- Unit must be placed on a level surface or leveled with included hardware (when applicable).
- Do not sit or stand on or allow children to climb, sit or stand on the assembled product.
- For safety reasons, it is imperative that this unit be mounted to the wall.
- Do not use without installing the tip restraint.
- Unit can tip over causing severe injury or death.
- Do not exceed the recommended weight limits.
- Evenly distribute the weight on each level and always keep the heavier loads on the bottom.
- Before cutting, drilling or hammering into any wall or floor surface, verify the location of electrical, plumbing and gas lines. Cutting may cause serious injury.

## Now you can assemble the item.

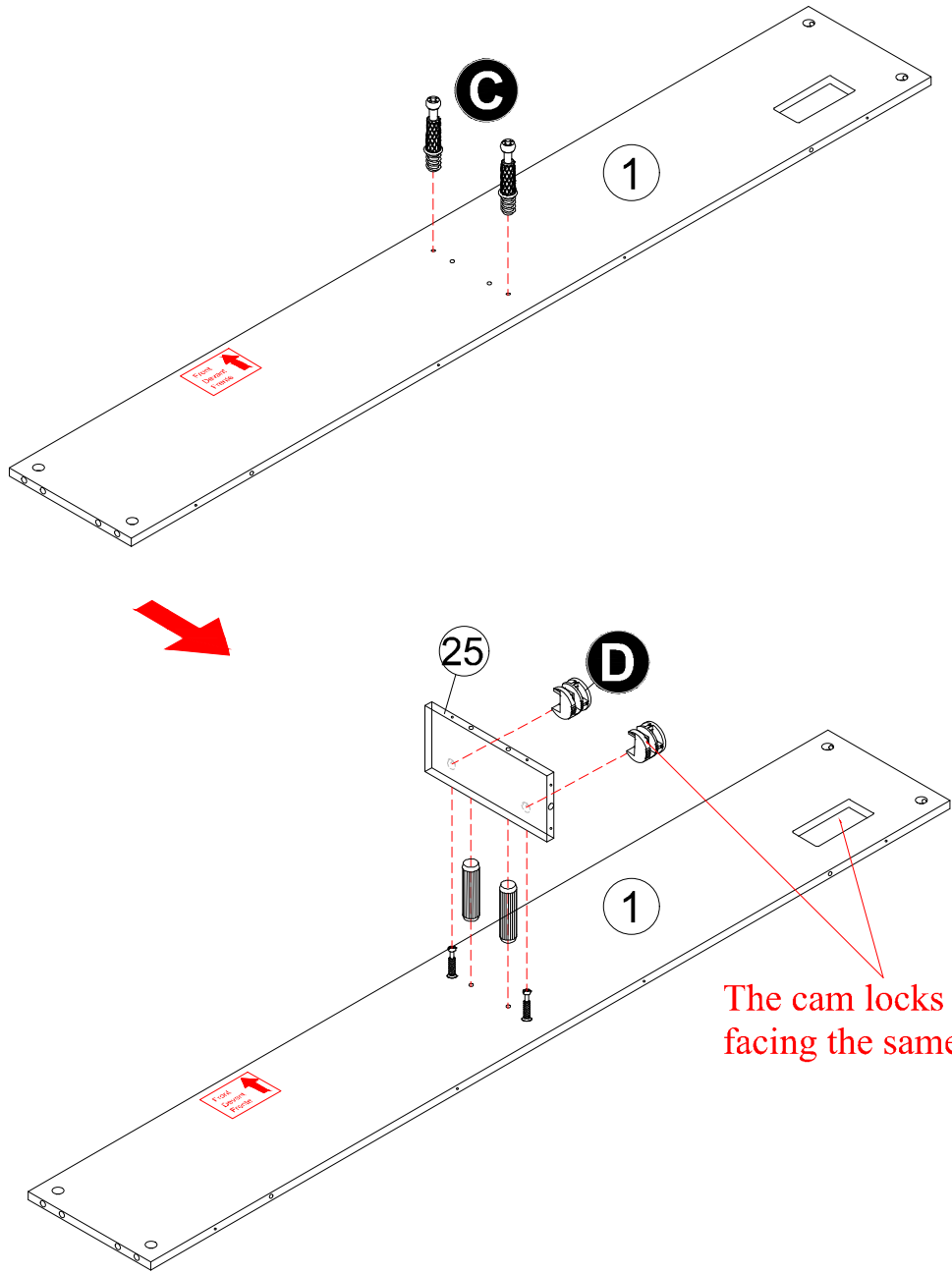
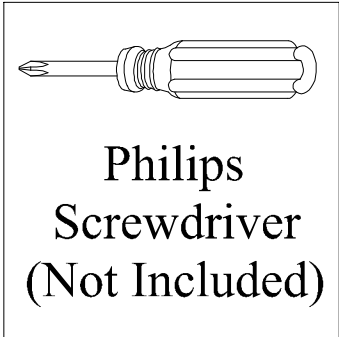
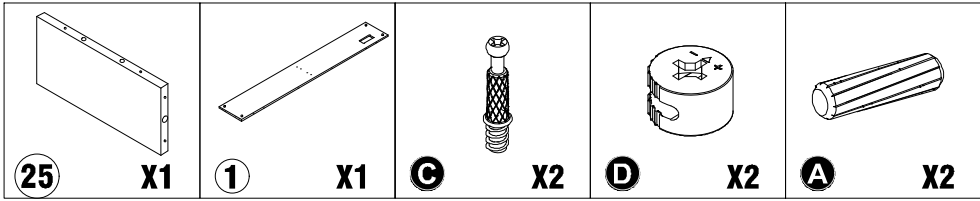


The installation process is divided into three parts:

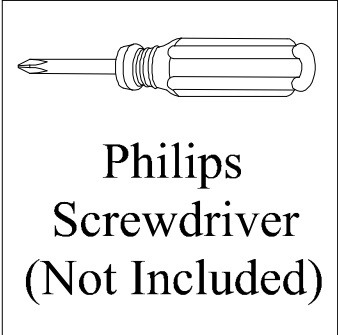
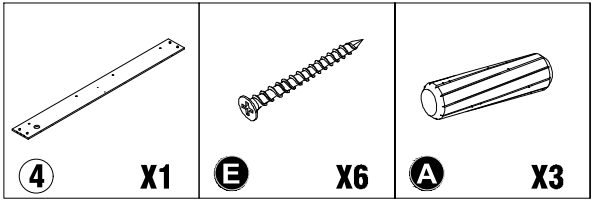
- 1.Assemble the TOP part of the cabinet
- 2.Assemble the MIDDLE part of the cabinet
- 3.Assemble the BOTTOM part of the cabinet
- 4:Assemble the DRAWER components

Tip:  
Using an electric screwdriver will make assembly easier.

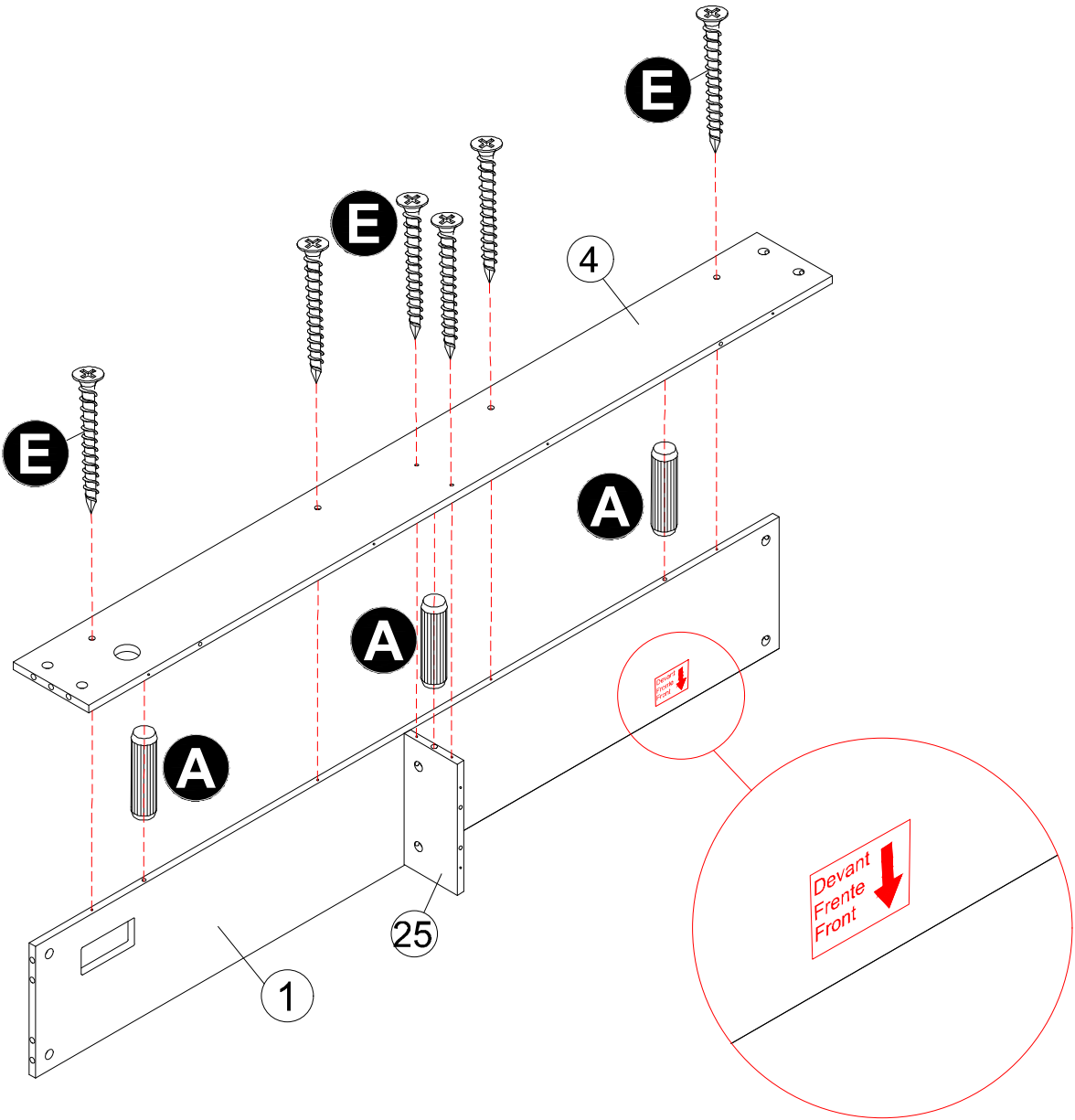
# STEP 1 Assemble the top panel and the center panel



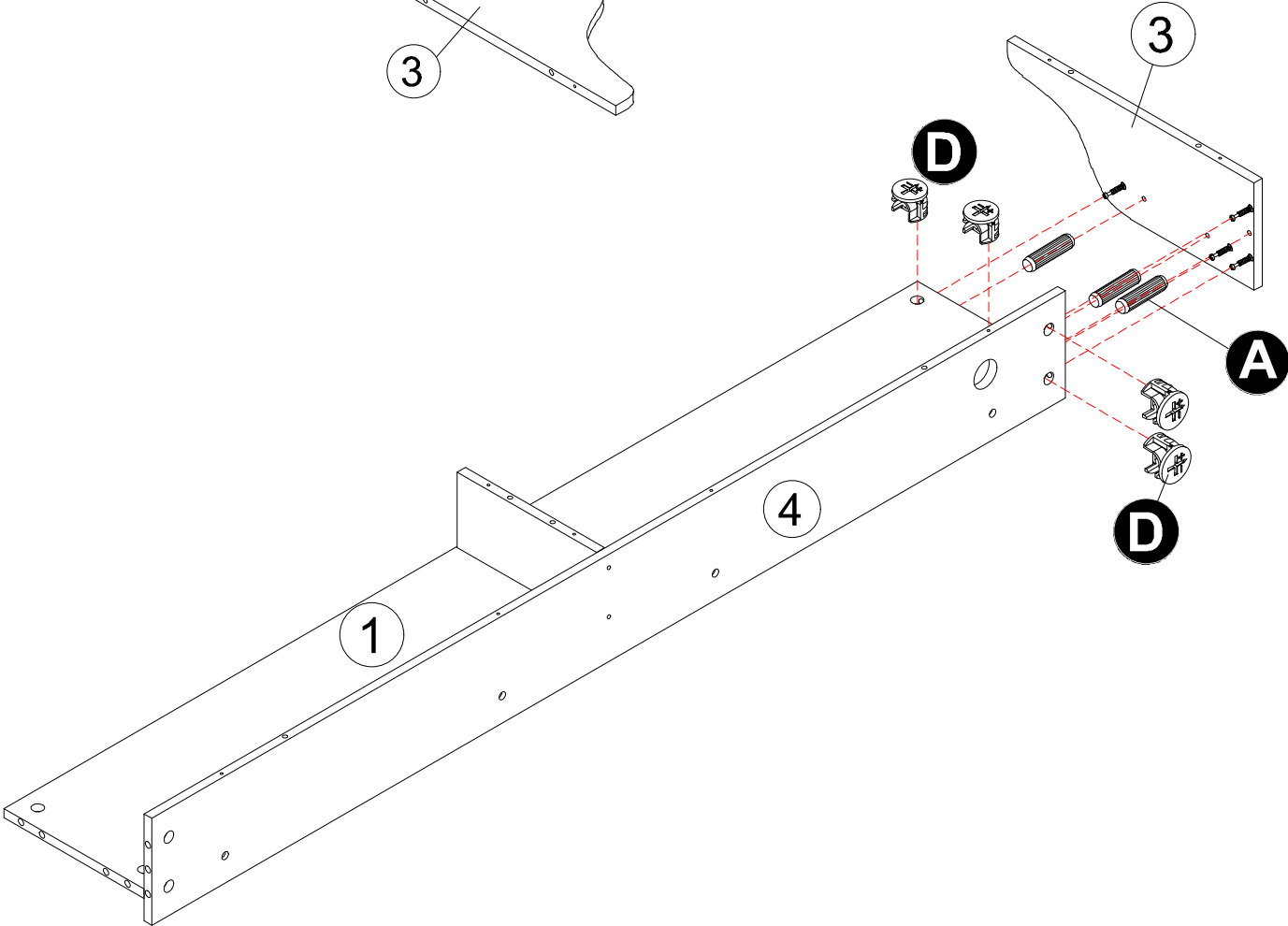
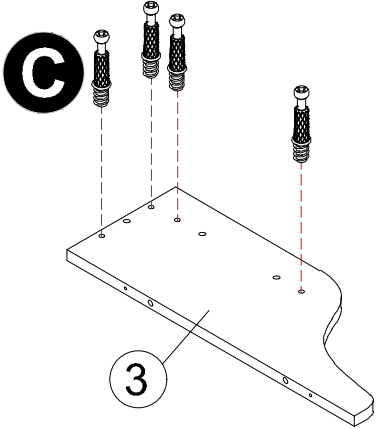
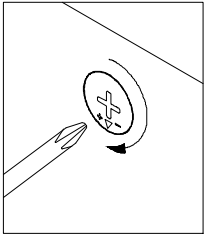
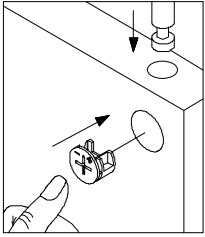
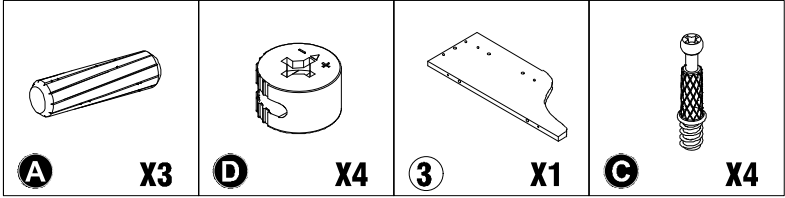
# STEP 2 Assemble the top back panel



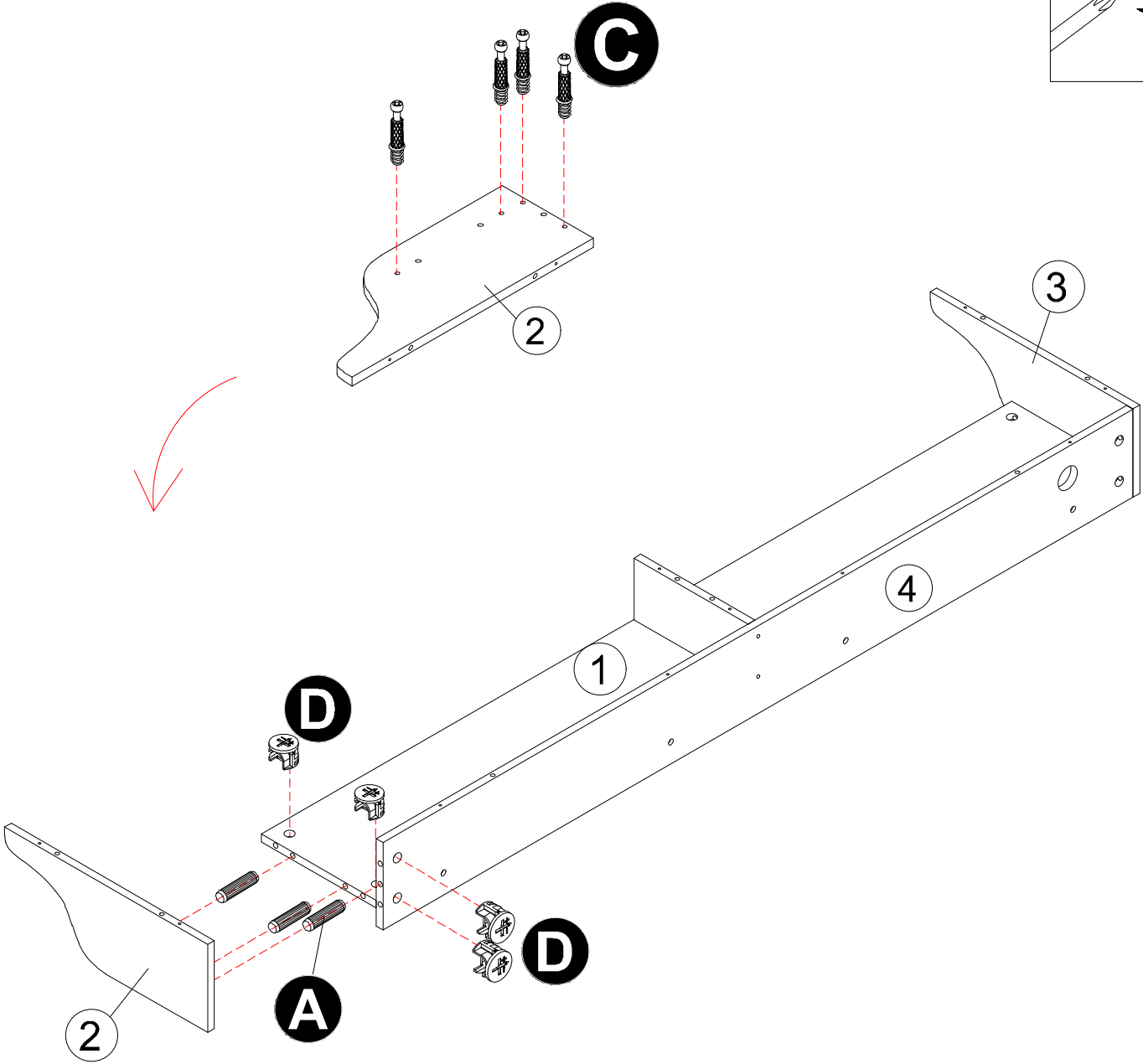
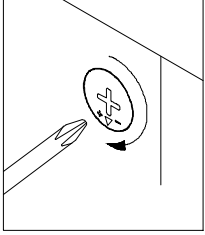
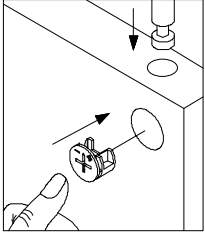
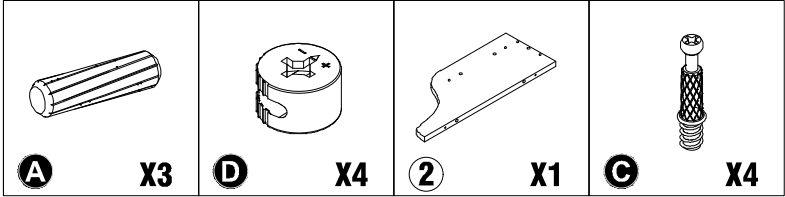
NOTICE: For correct installation, please follow the direction shown on the label.



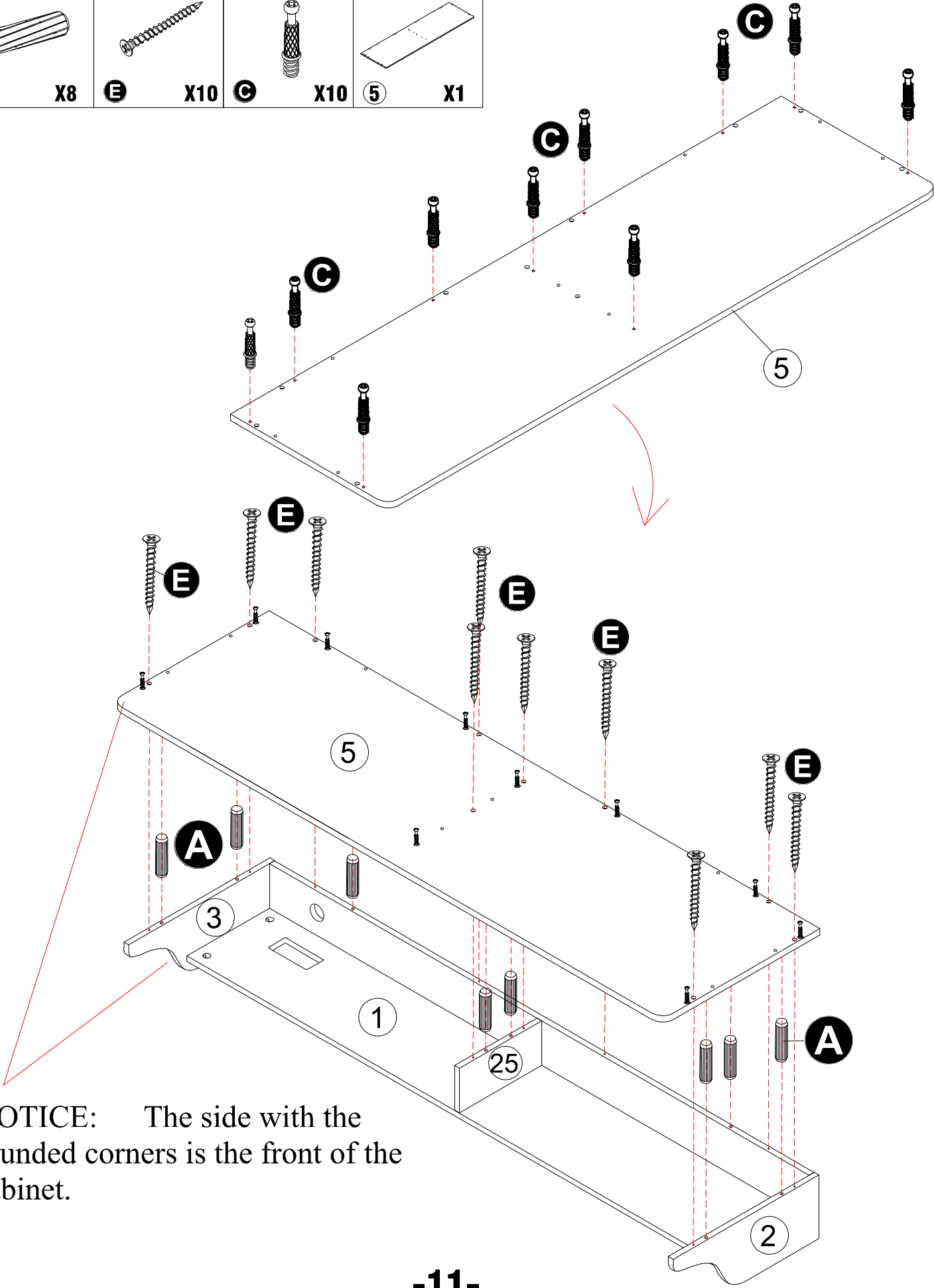
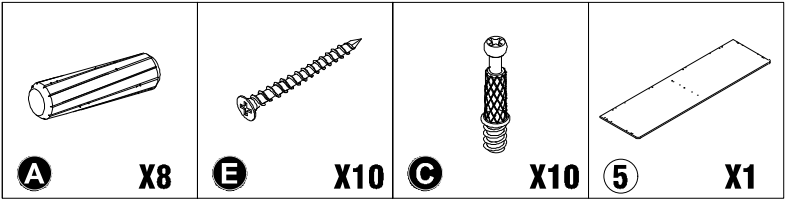
# STEP 3 Assemble the right side panel ③ of the top assembly



# STEP 4 Assemble the leftside panel ② of the top assembly

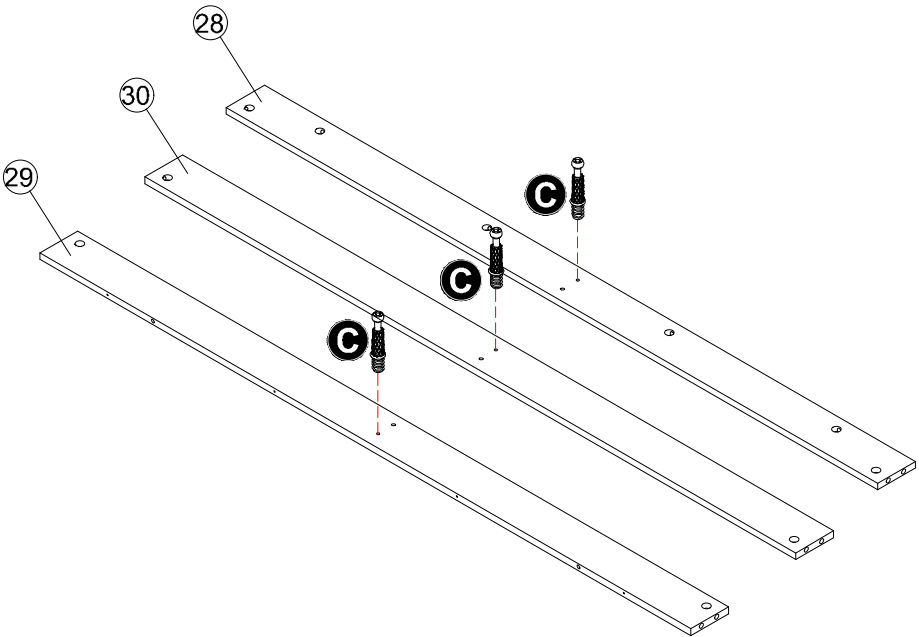
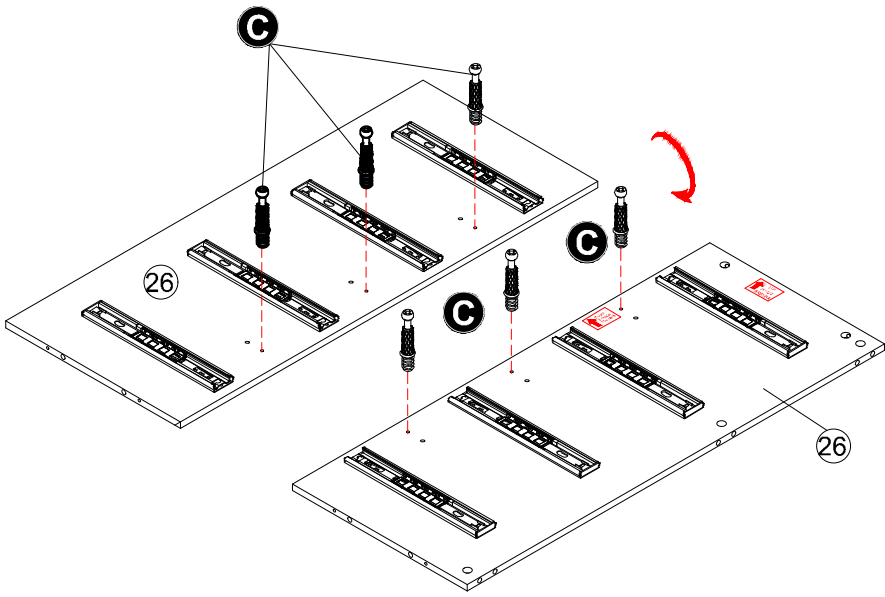
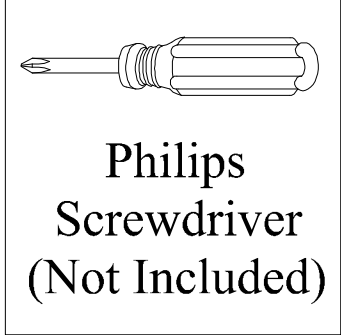
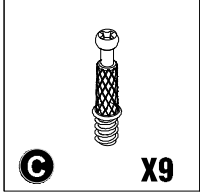
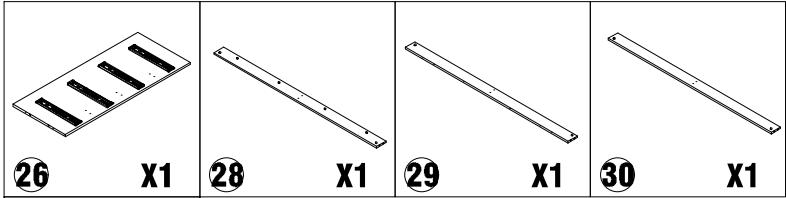


# STEP 5 Assemble the top assembly to the face panel

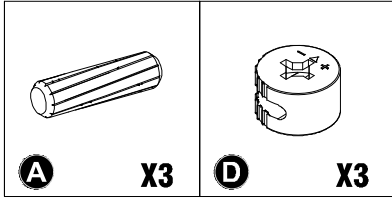


**NOTICE:** The side with the rounded corners is the front of the cabinet.

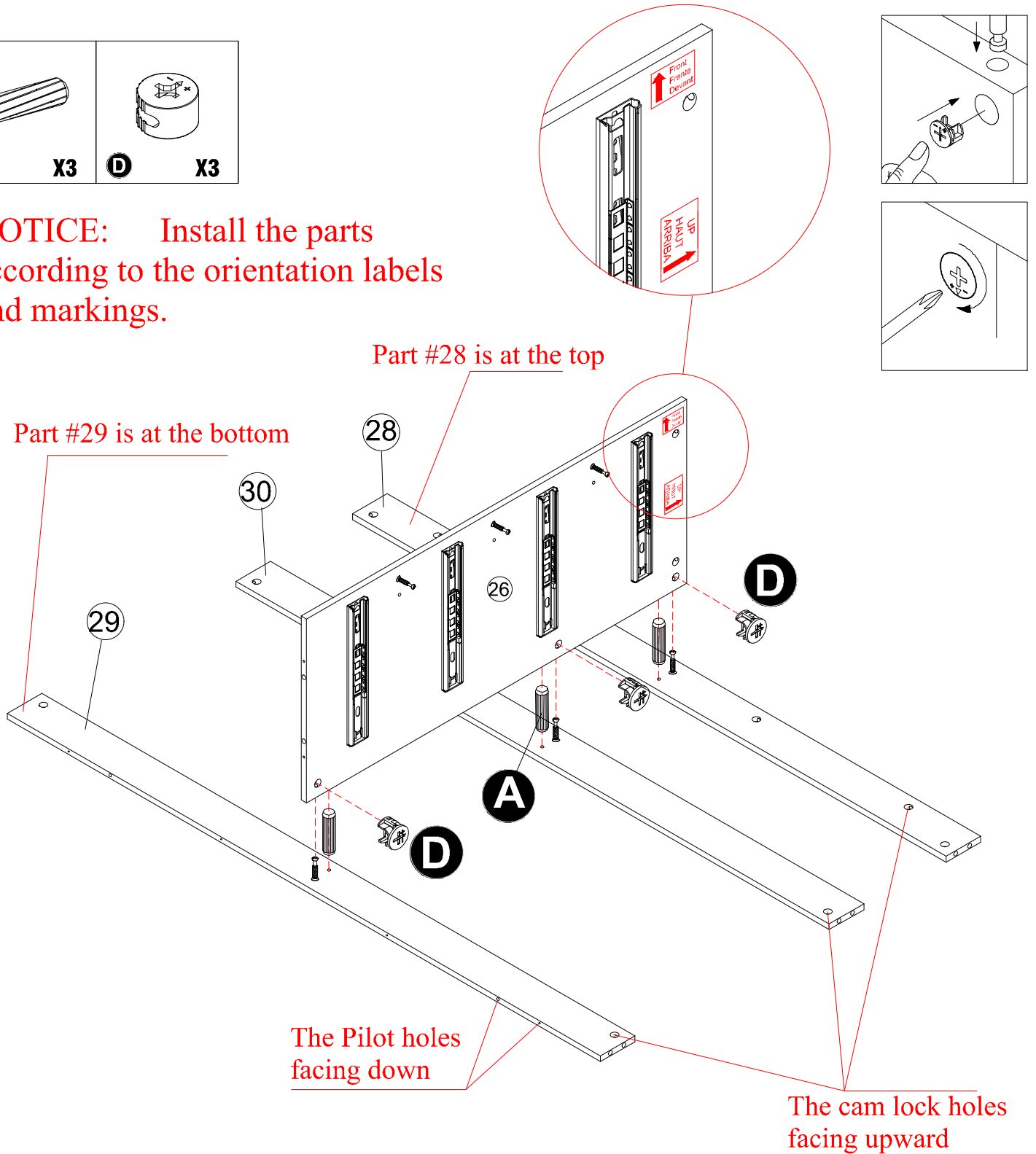
# STEP 6 Screw the connecting bolts into the pre-drilled holes in the panel.



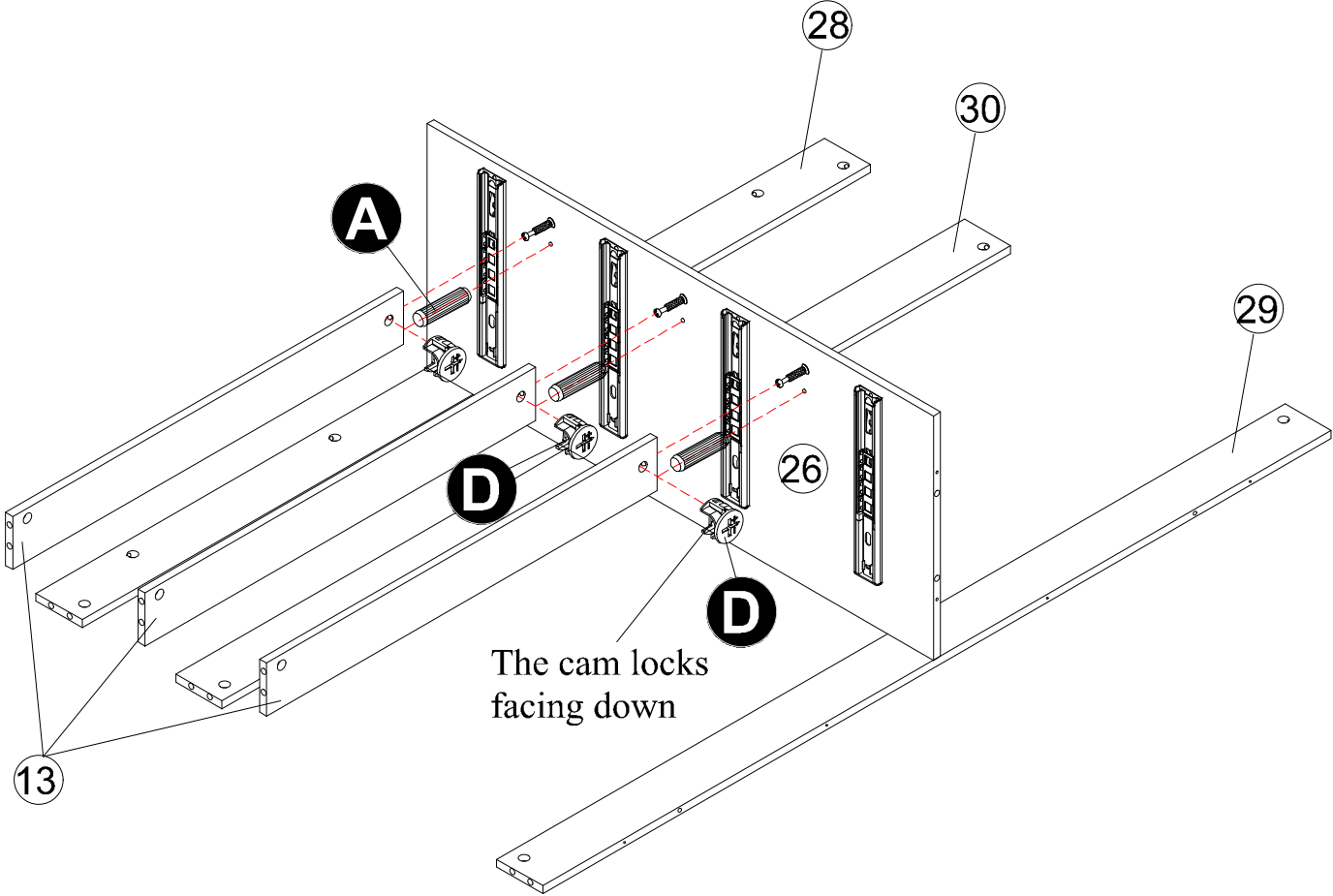
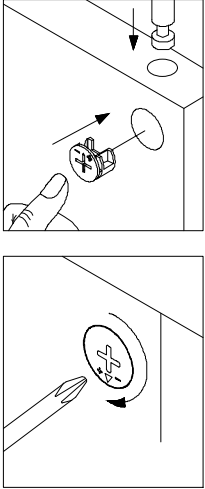
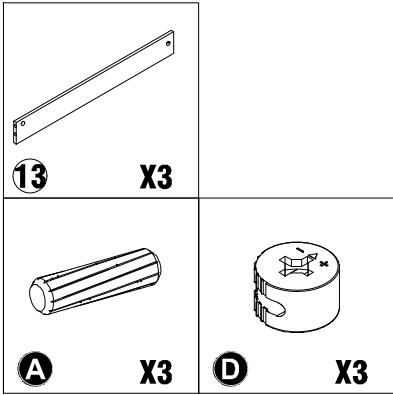
# STEP 7 Assemble the Center Divider (26) with the Top Back Rail (28), Middle Back Rail (30), and Rear Stretcher (29).



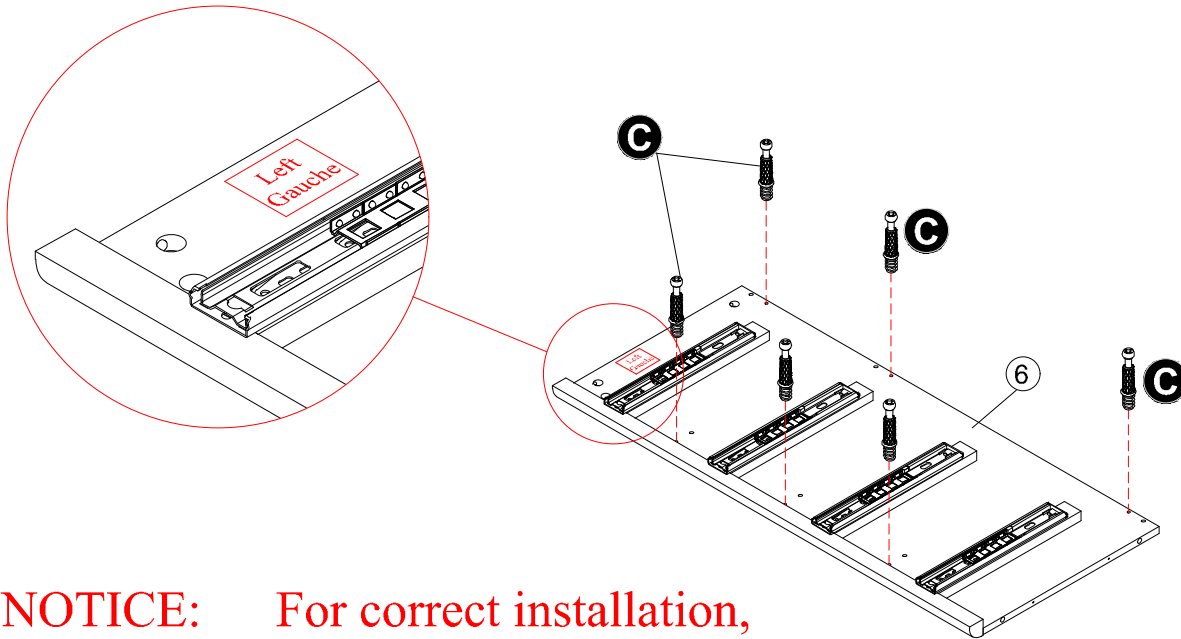
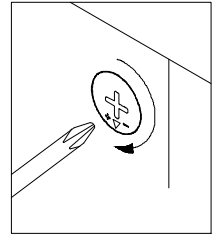
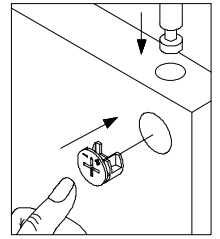
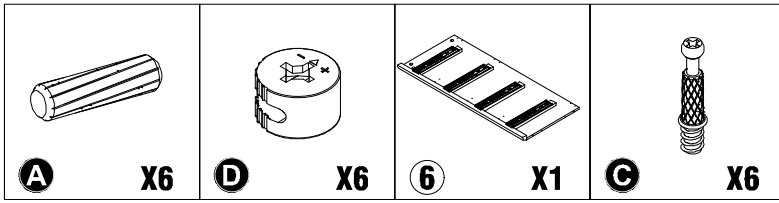
**NOTICE:** Install the parts according to the orientation labels and markings.



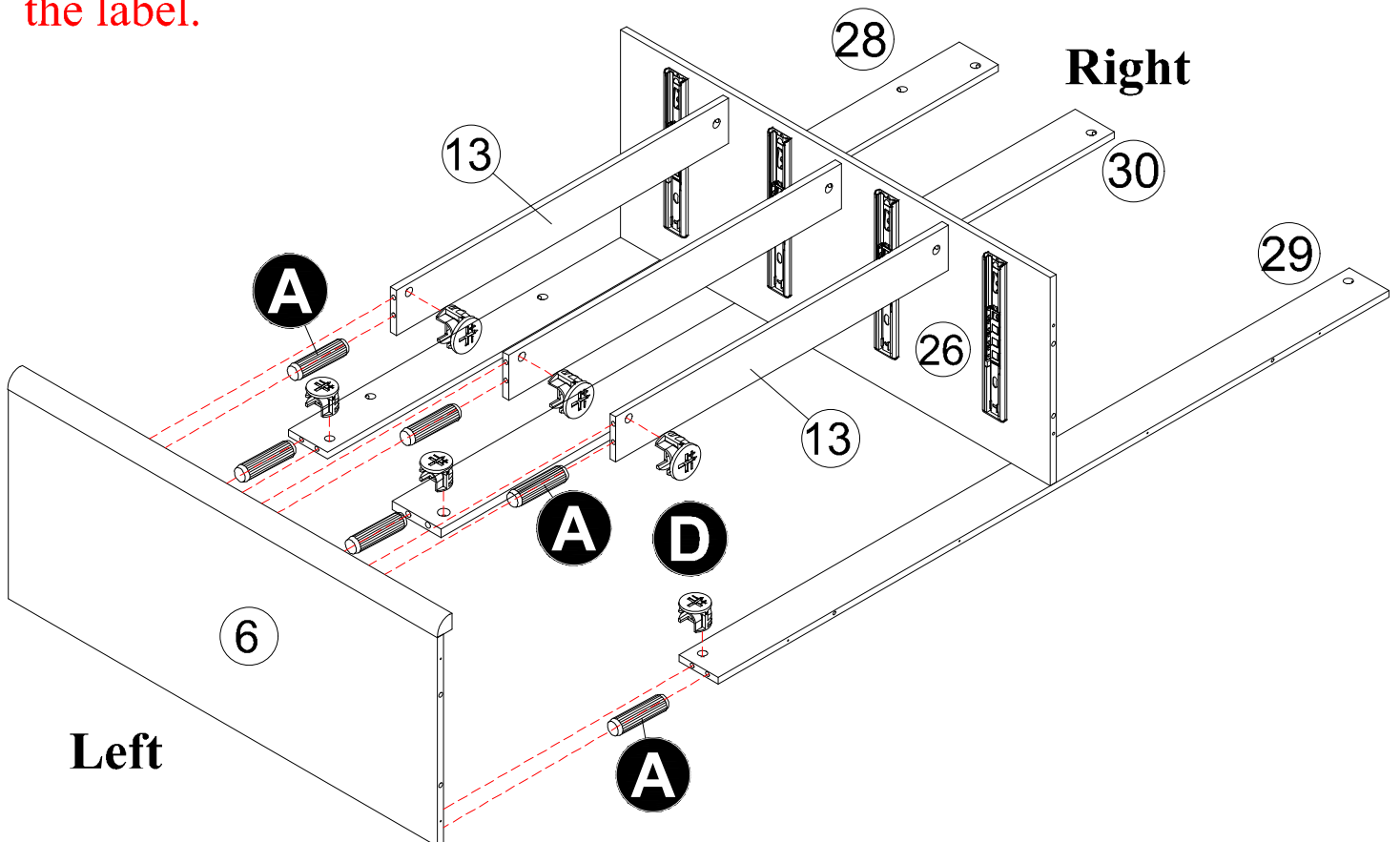
# STEP 8 Assemble the left connecting rail



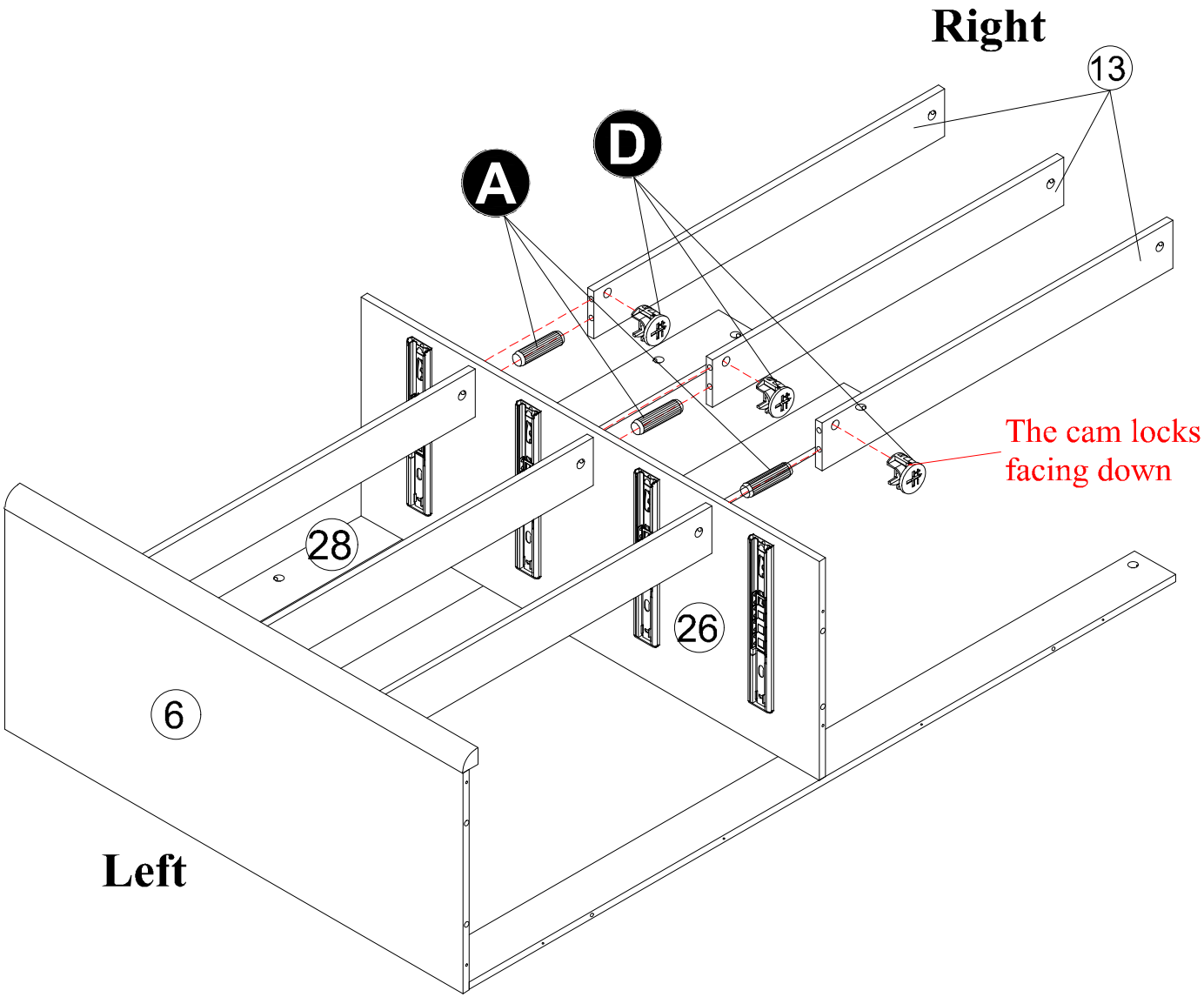
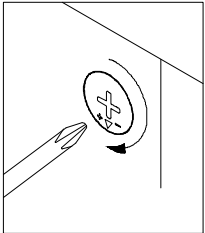
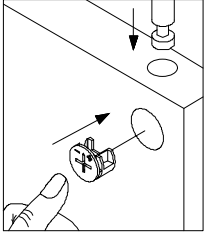
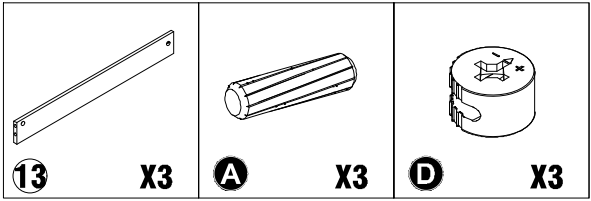
# STEP 9 Assemble the left side part 6 of the cabinet



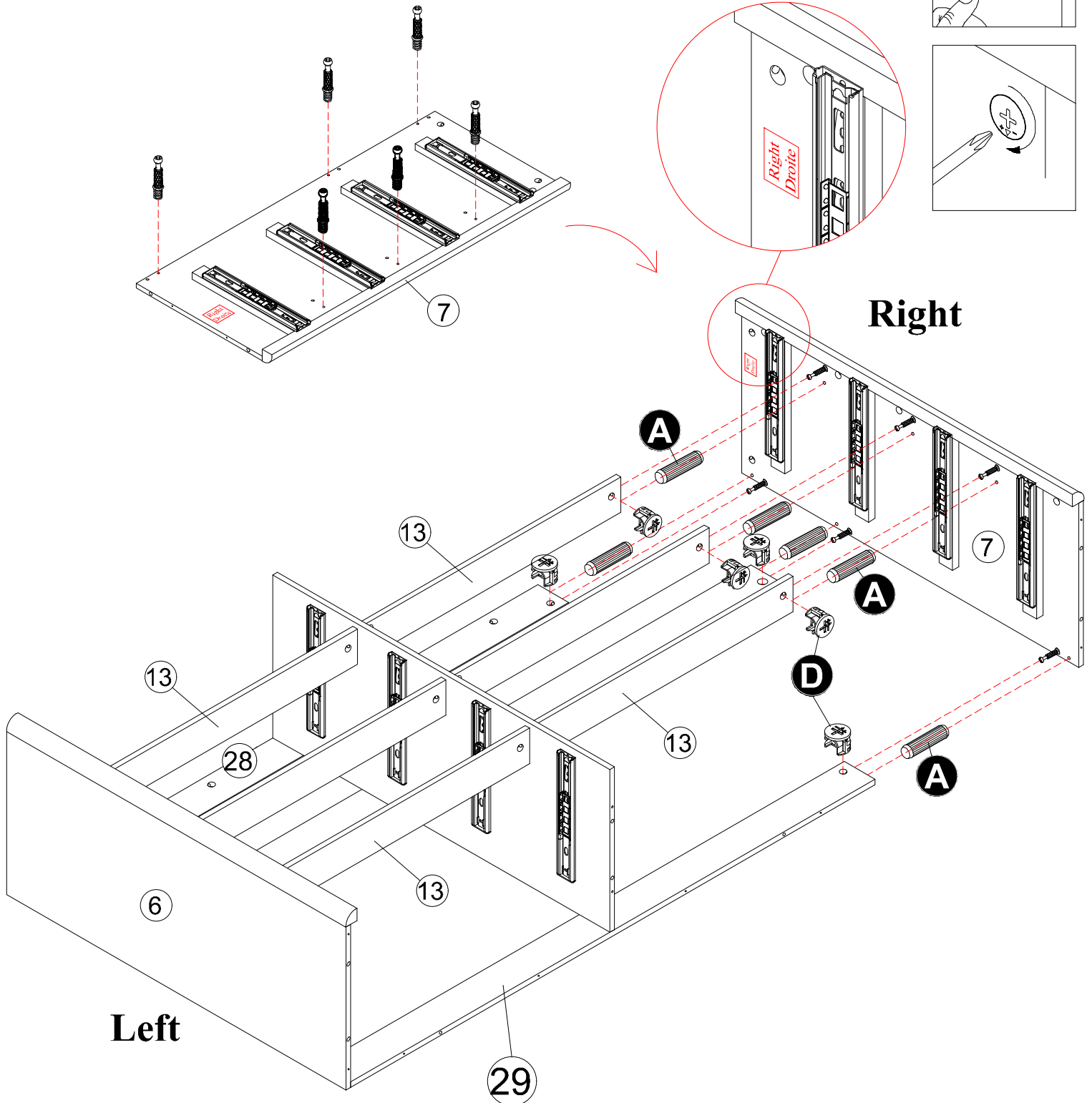
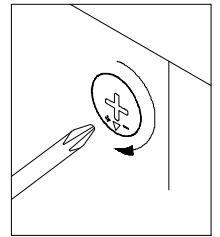
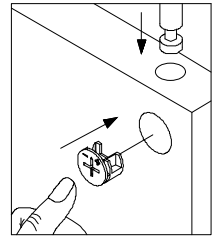
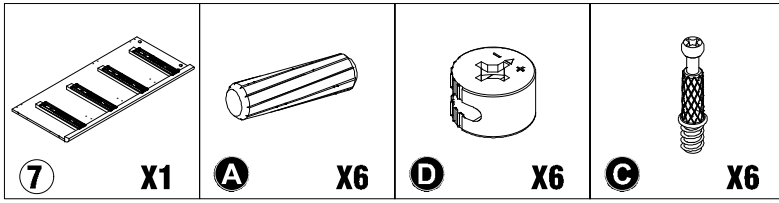
**NOTICE:** For correct installation, please follow the direction shown on the label.



# STEP 10 Assemble the right connecting rail

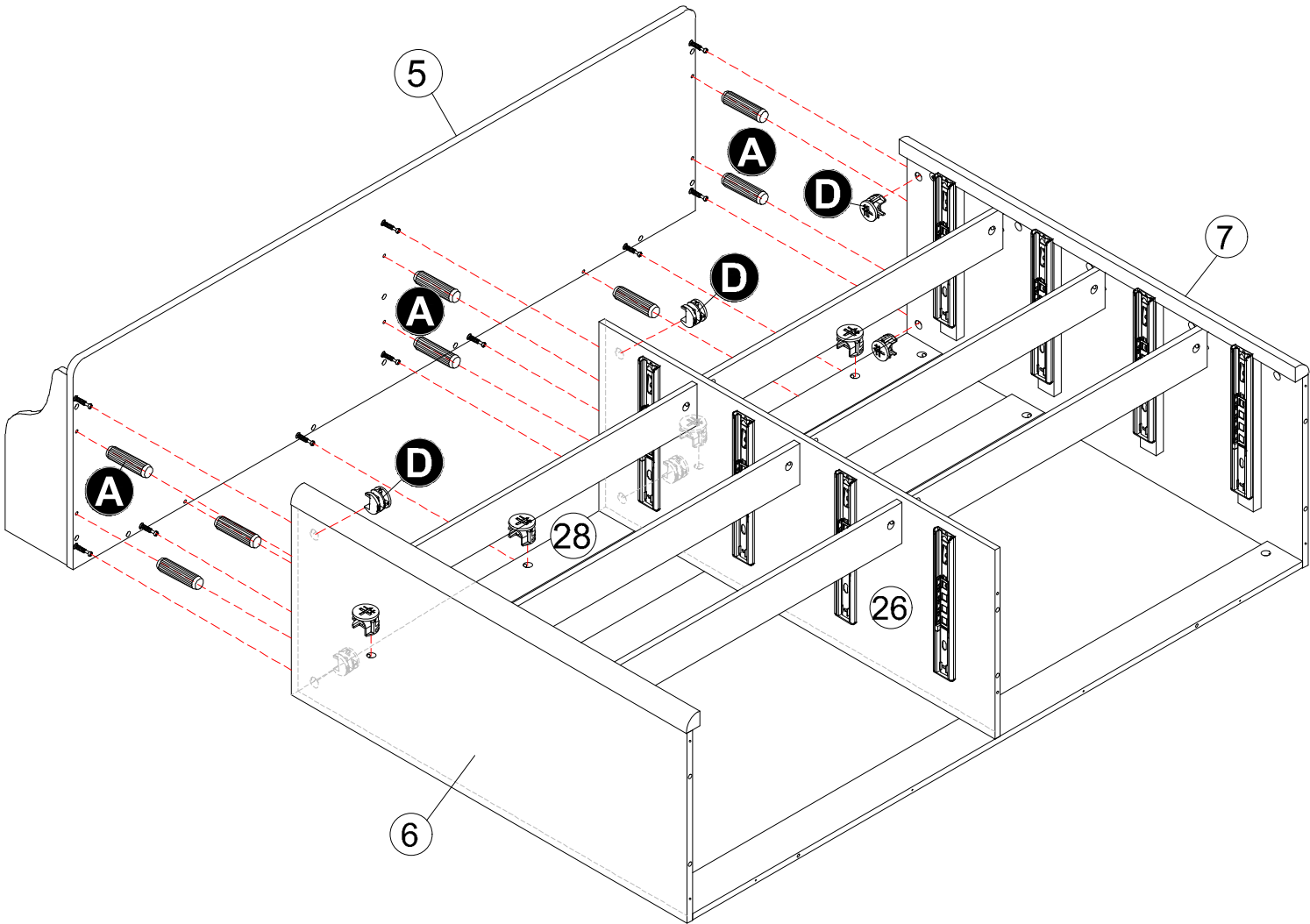
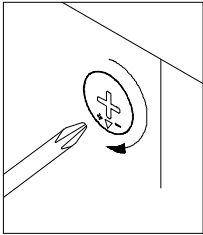
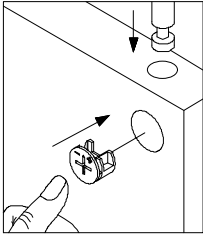
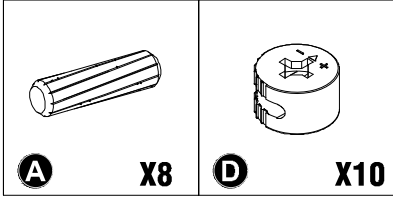


# STEP 11 Assemble the right side part 7 of the cabinet



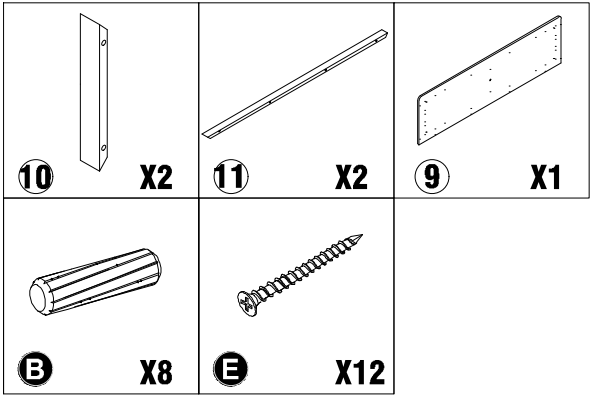
**NOTICE:** For correct installation, please follow the direction shown on the label.

# STEP 12 Assemble the top assembly to the cabinet body

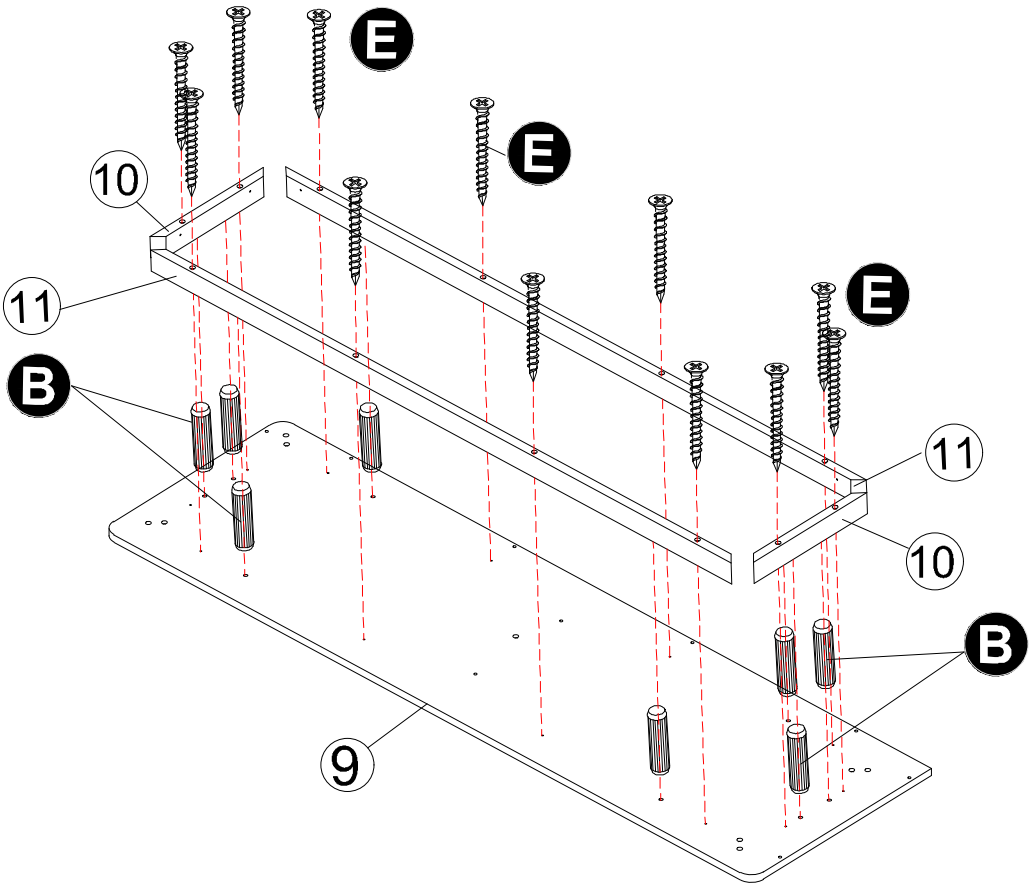


**Note: Ask for assistance on this step**

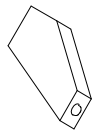
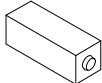


# STEP 13 Assemble the bottom stretchers

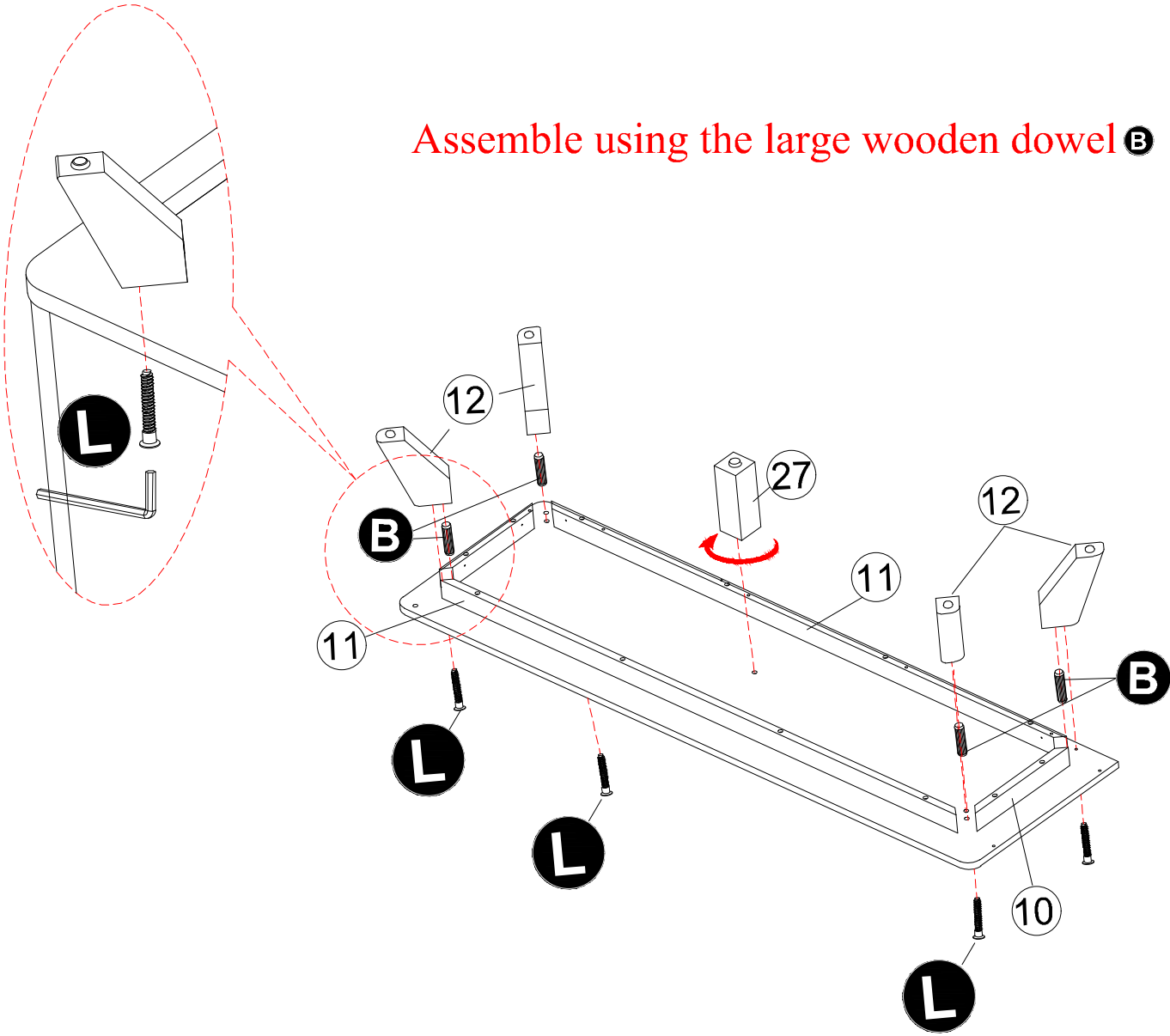
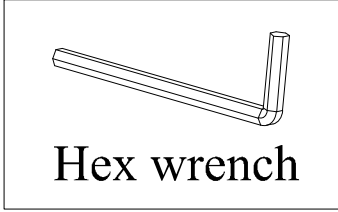


**NOTICE:** For correct installation, please follow the direction shown on the label.  
Assemble using the large wooden dowel **B**

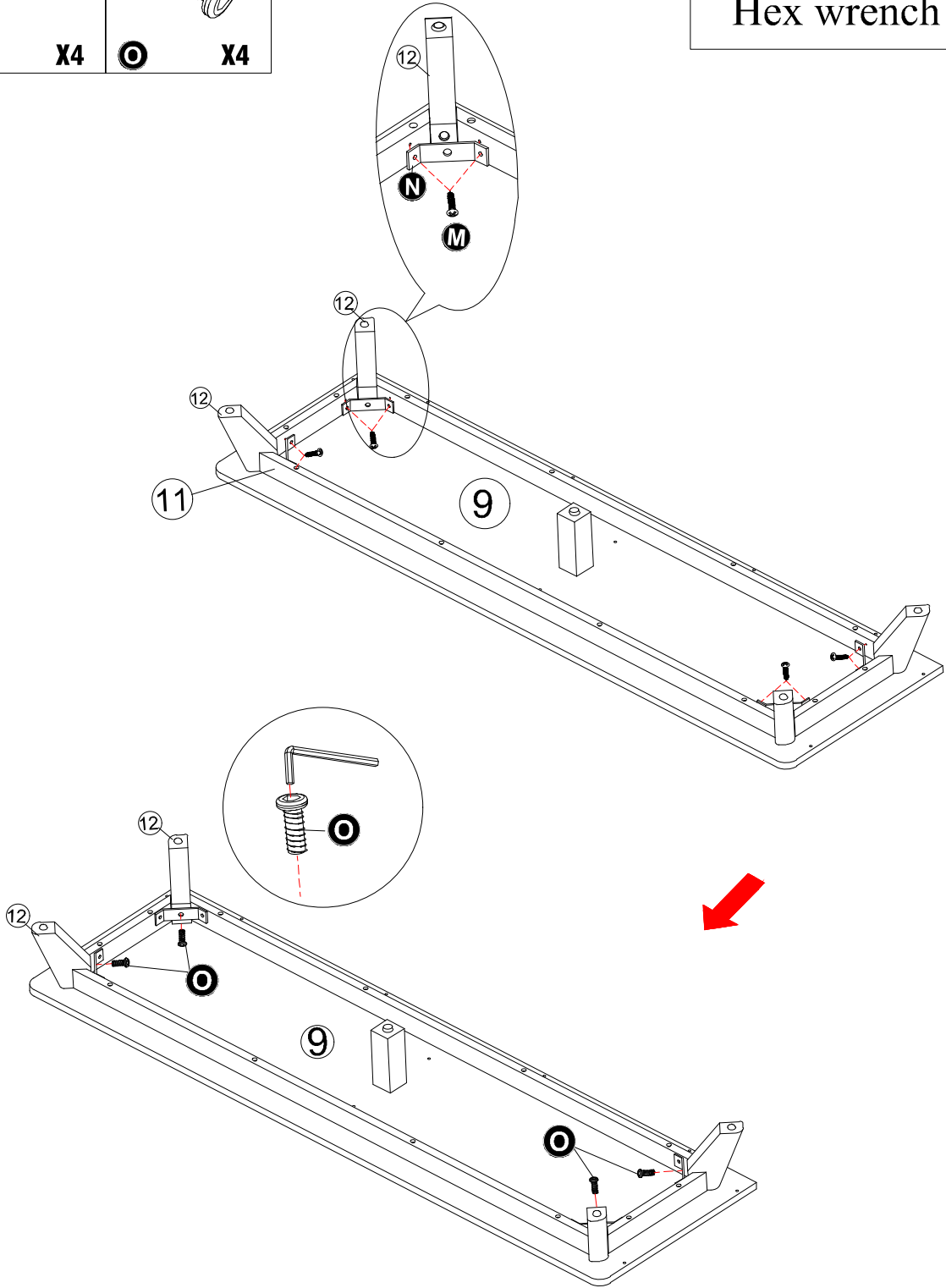
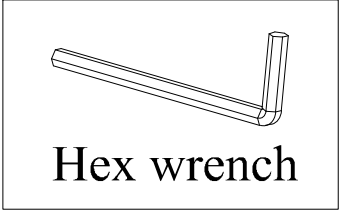
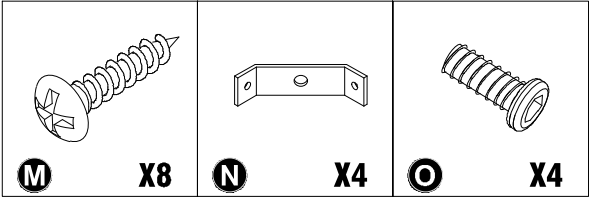


# STEP 14 Assemble the bottom panel to the legs

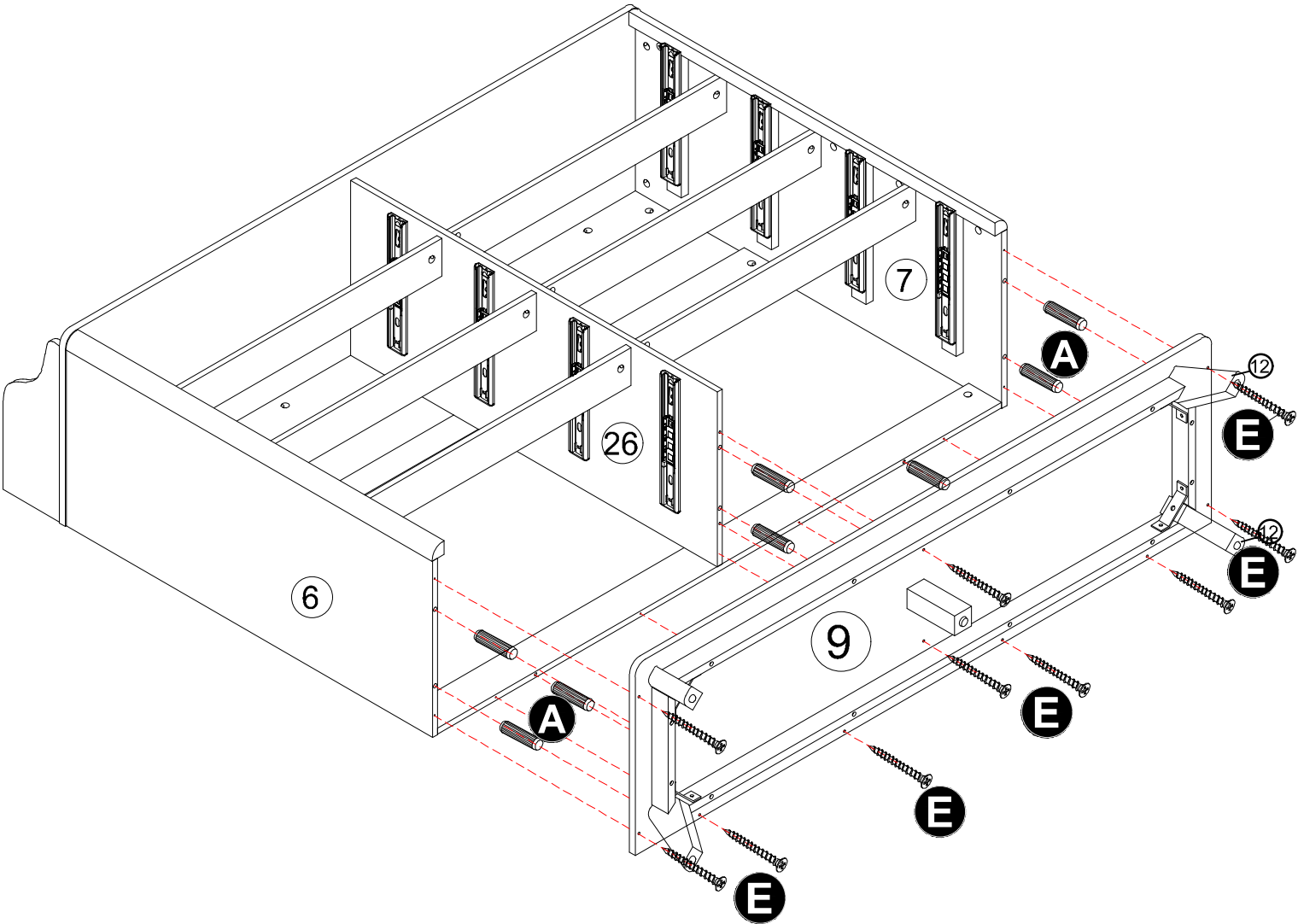
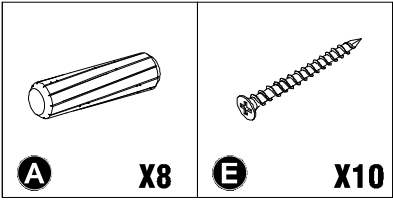
 <b>12</b> X4	 <b>27</b> X1
 <b>B</b> X4	 <b>L</b> X4



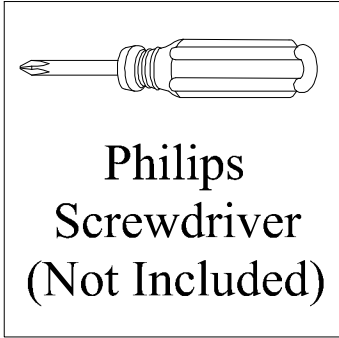
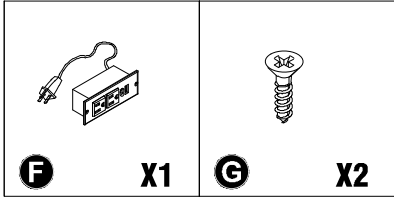
# STEP 15 Assemble the metal brackets, screws, and bolts.



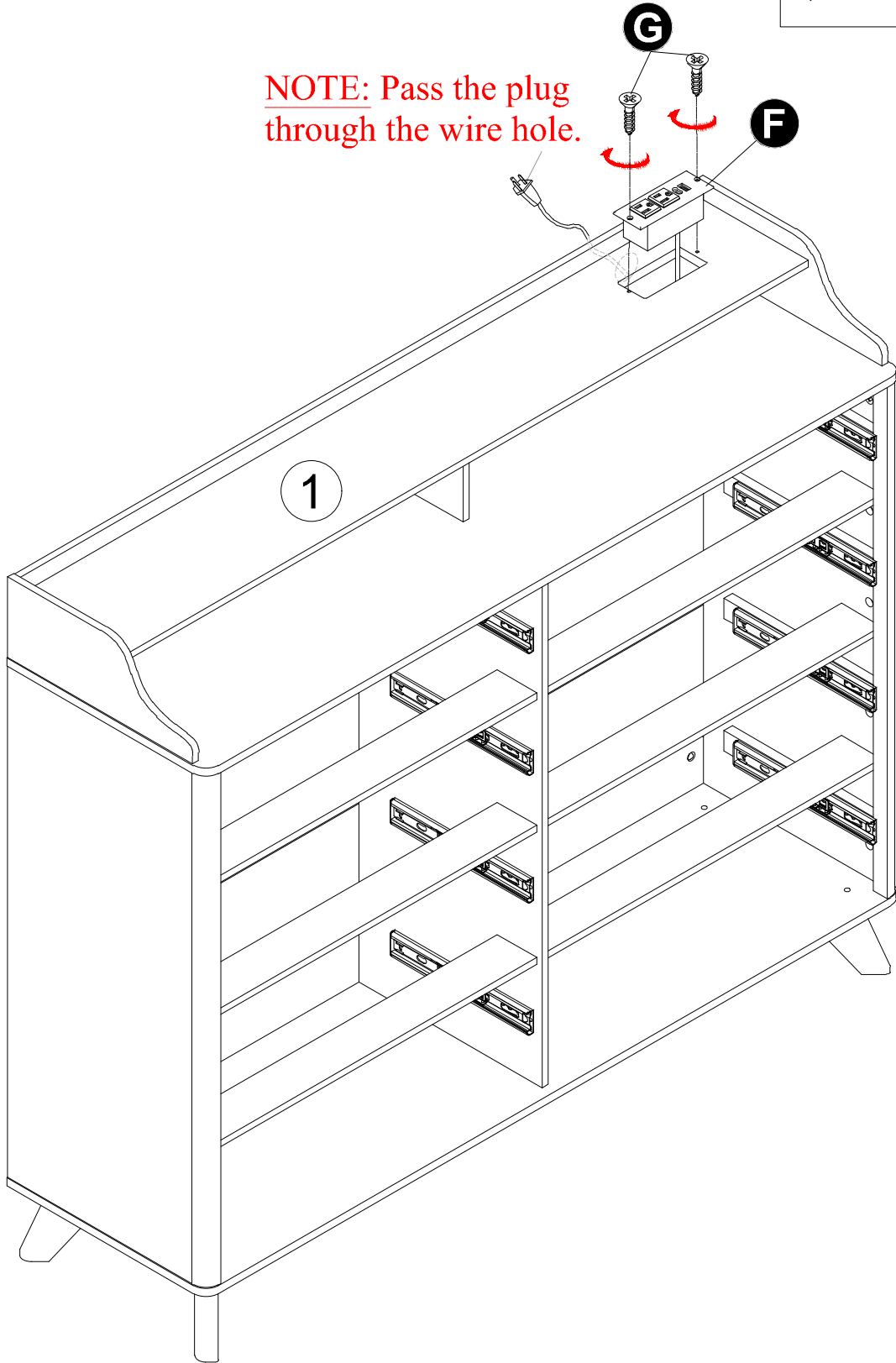
# STEP 16 Assemble the cabinet base



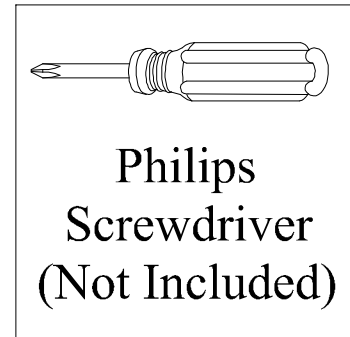
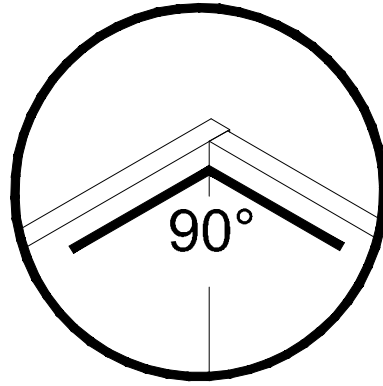
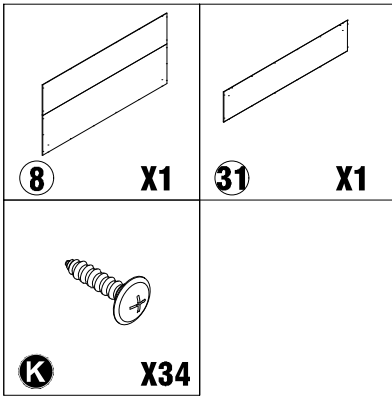
# STEP 17 Install the power outlet assembly



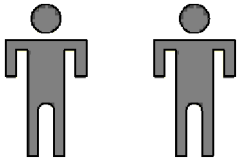
**NOTE:** Pass the plug through the wire hole.



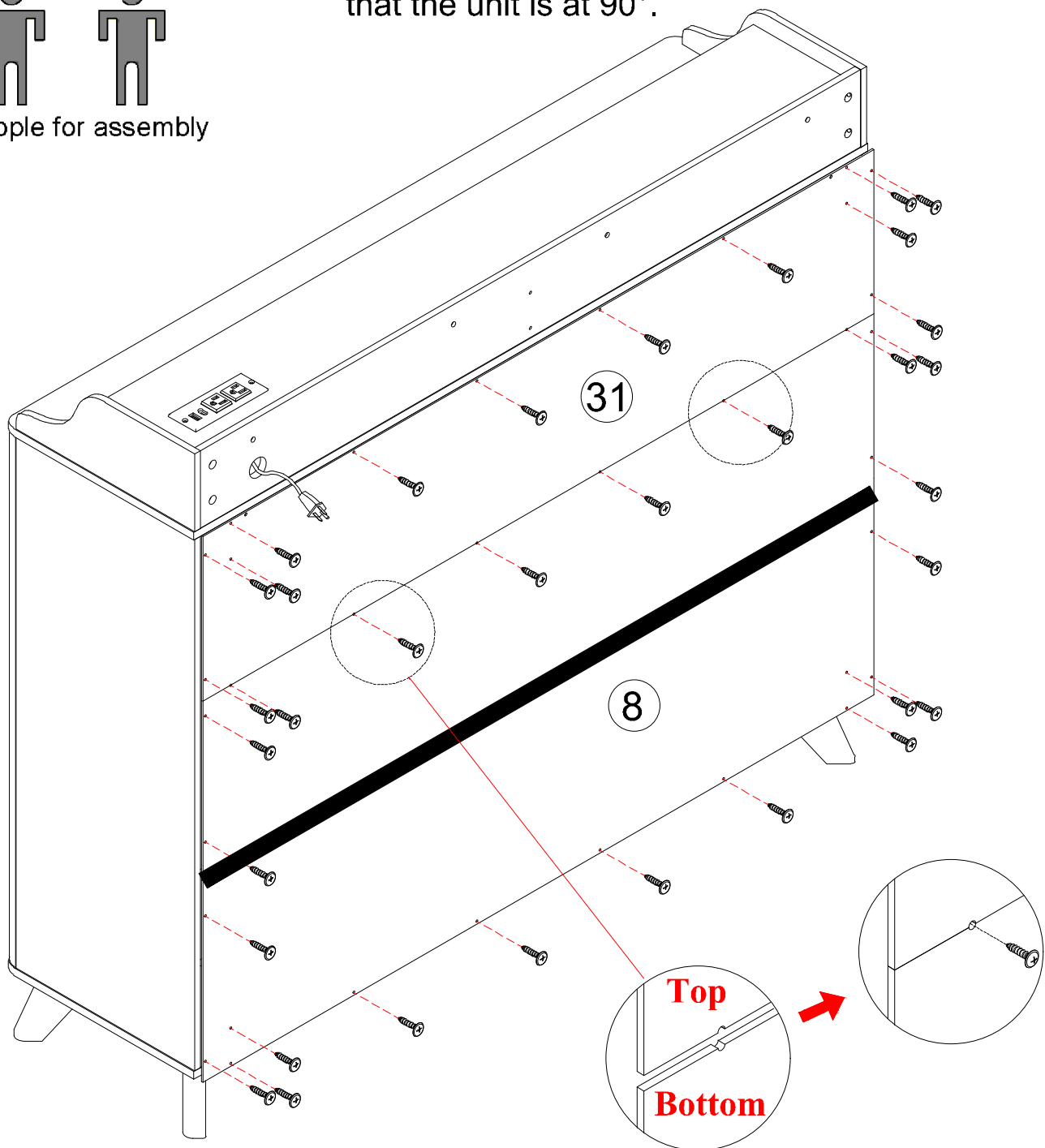
# STEP 18 Assemble the back panel of the cabinet



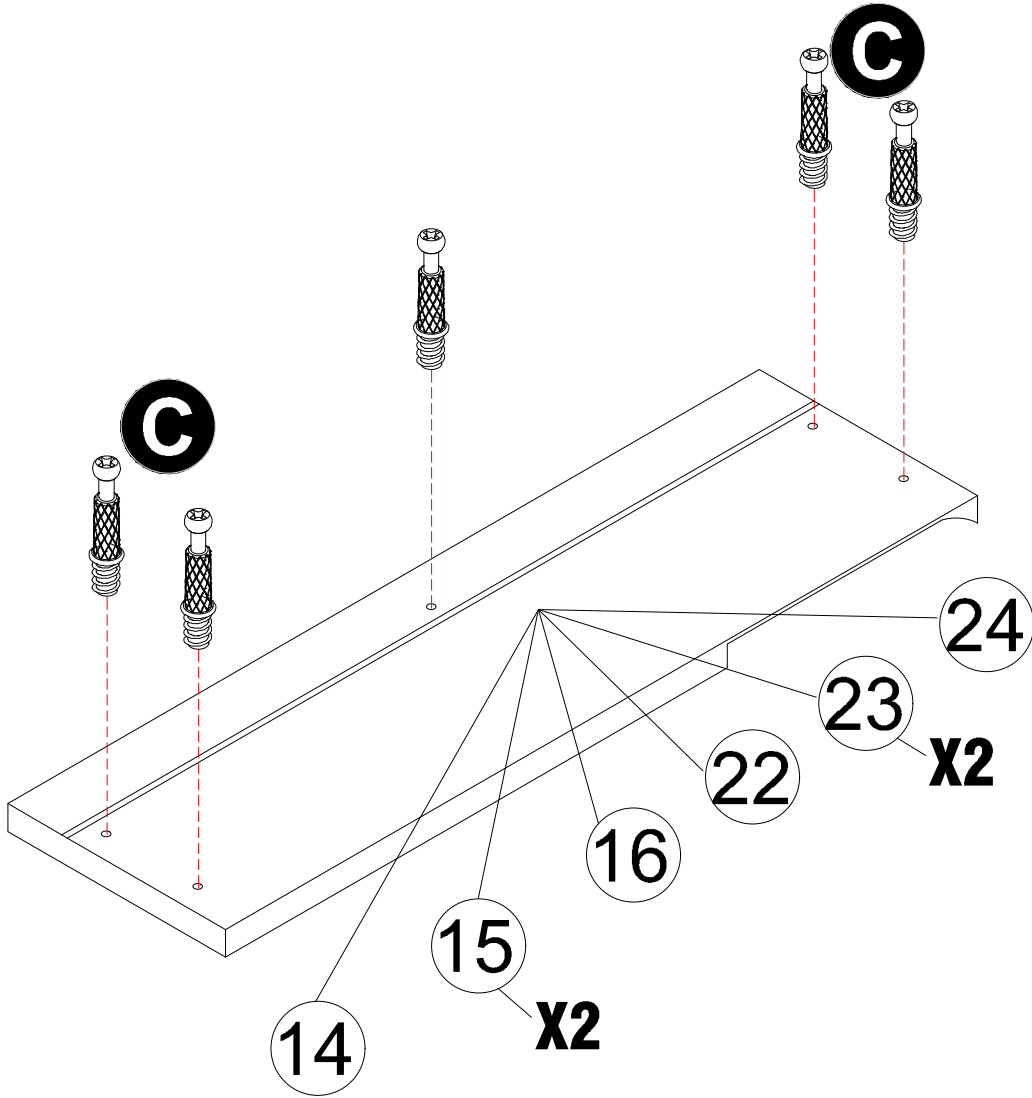
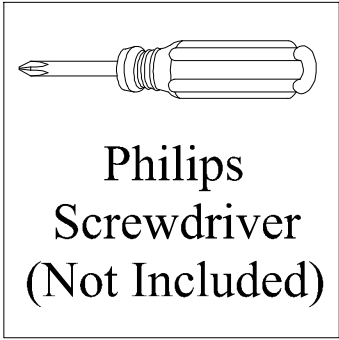
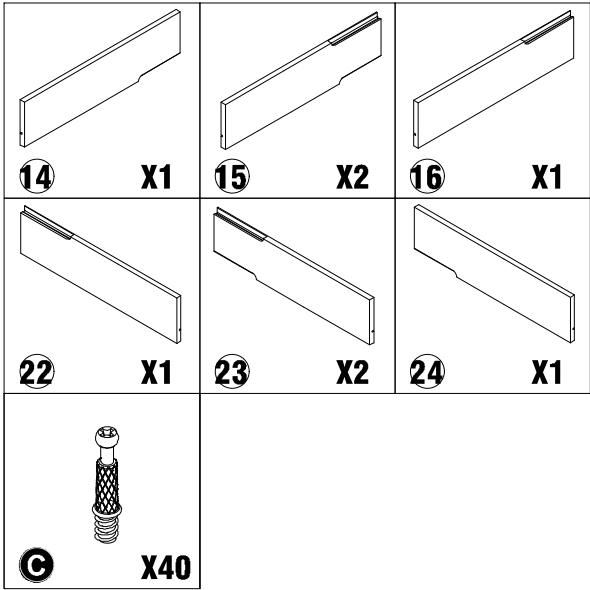
Before attaching the back panel be sure that the unit is at 90°.



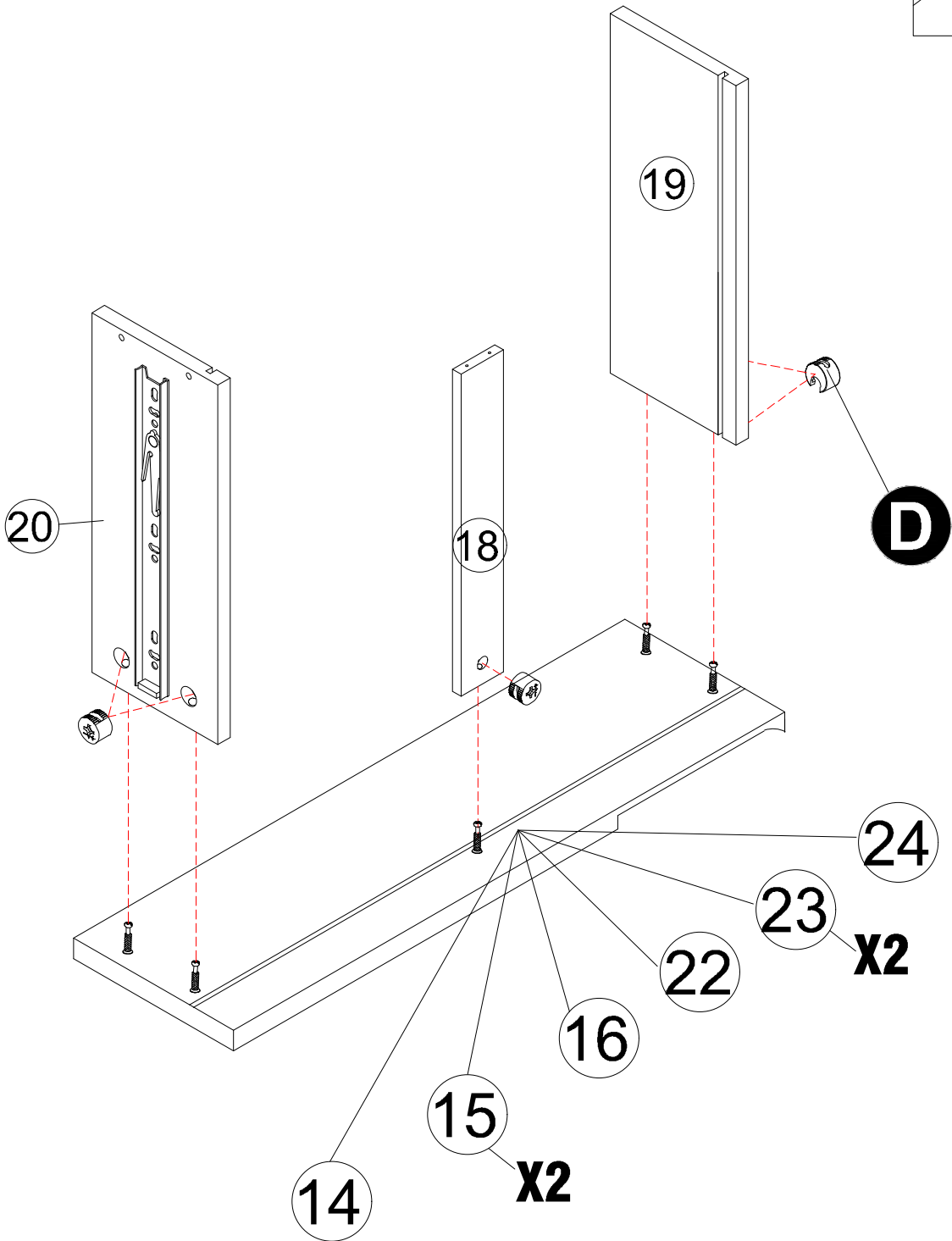
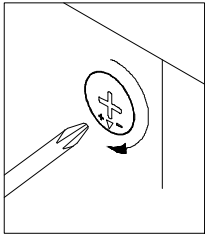
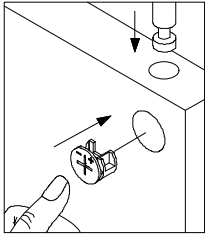
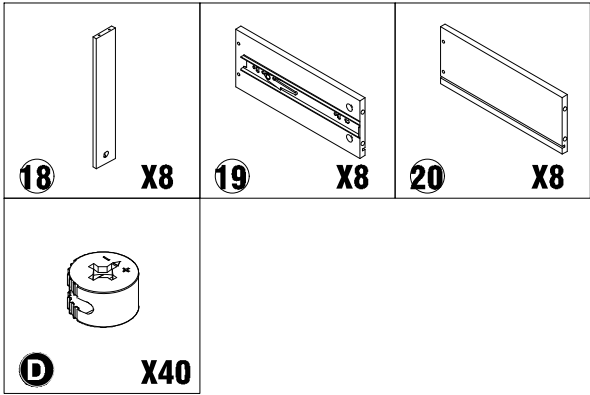
2 people for assembly



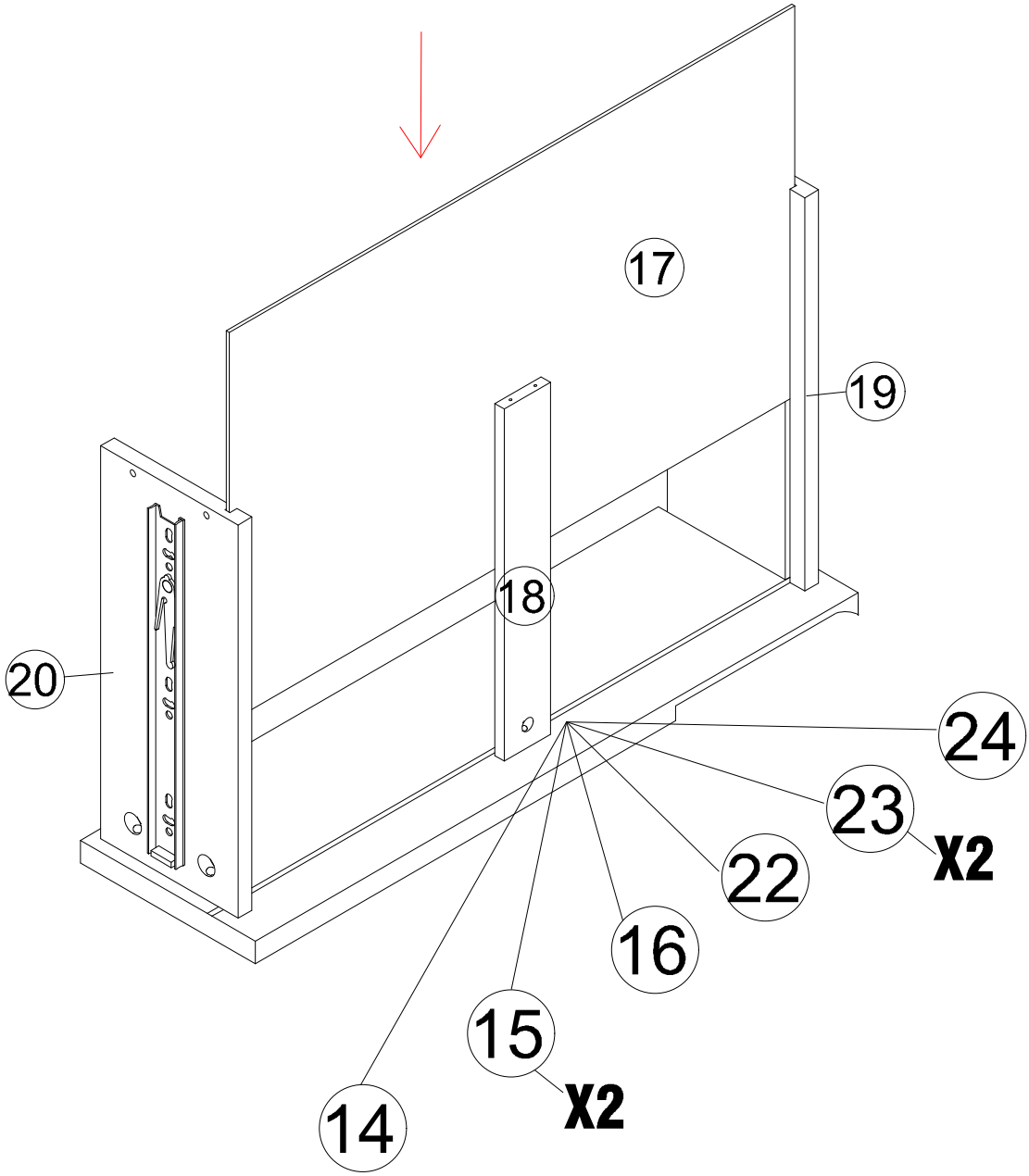
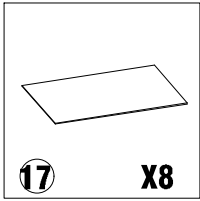
# STEP 19 Assemble the drawer components



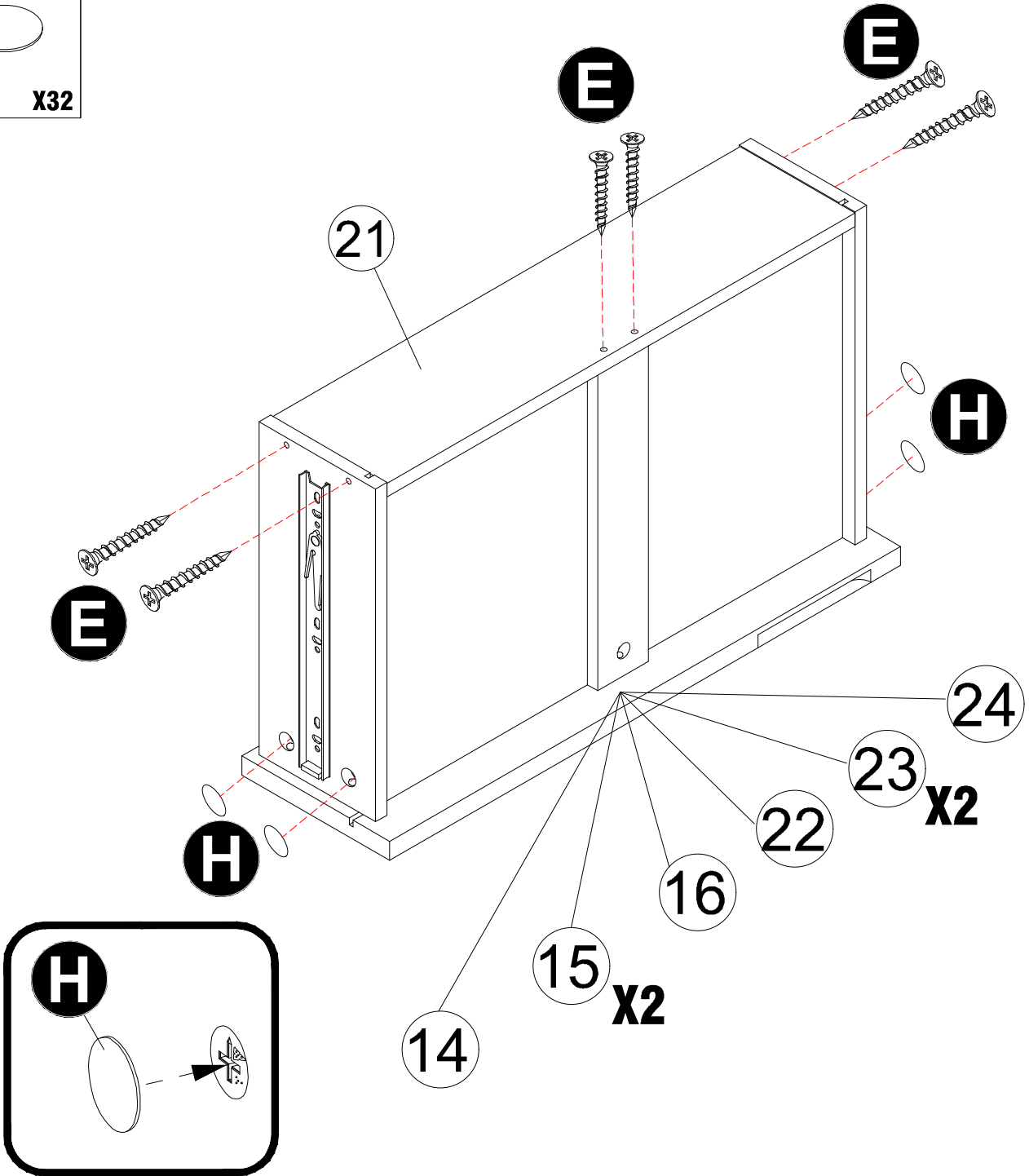
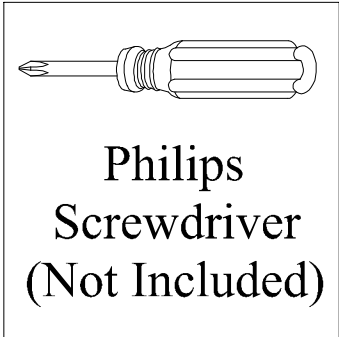
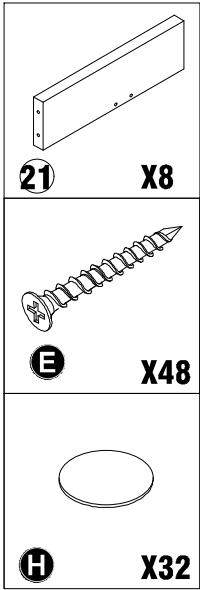
# STEP 20 Assemble the drawer components



# STEP 21 Assemble the drawer components



# STEP 22 Assemble the drawer components



# STEP 23 Drawer Installation Steps

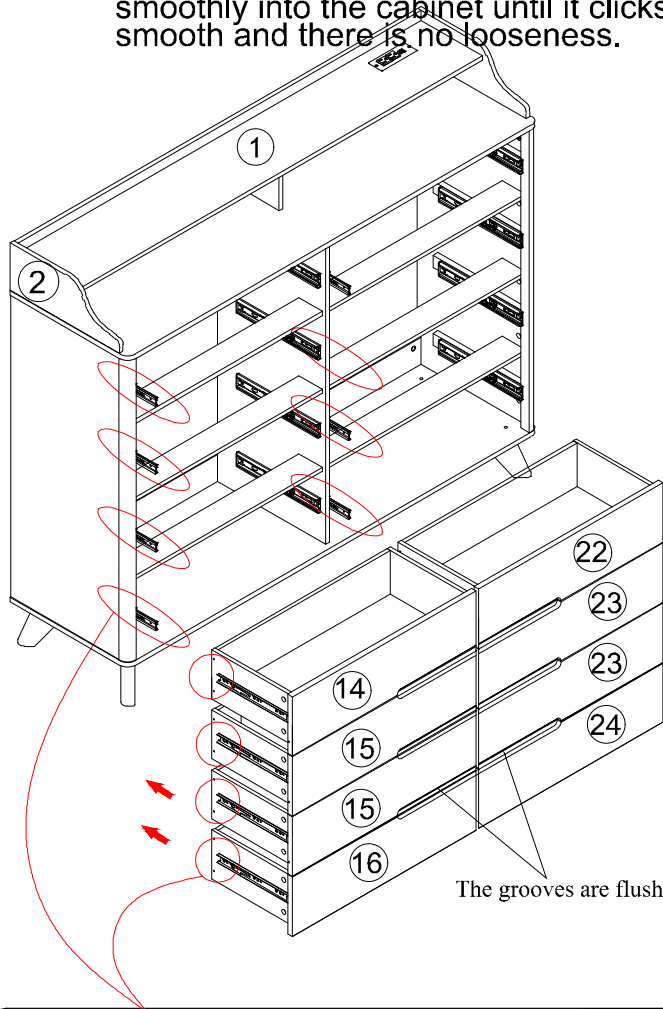
## Drawer Installation Steps

### Step 1: Pull Out Inner Ball Bearing Slides

1. Locate the inner ball bearing slides on both sides of the drawer (or at the corresponding positions).
2. Grasp the slides and pull out slowly and steadily until they reach the stops (the point where they can no longer be extended).
3. **△Note:** The slide surfaces may be slightly greasy. Handle with care to avoid slippage or soiling clothing/work surfaces.

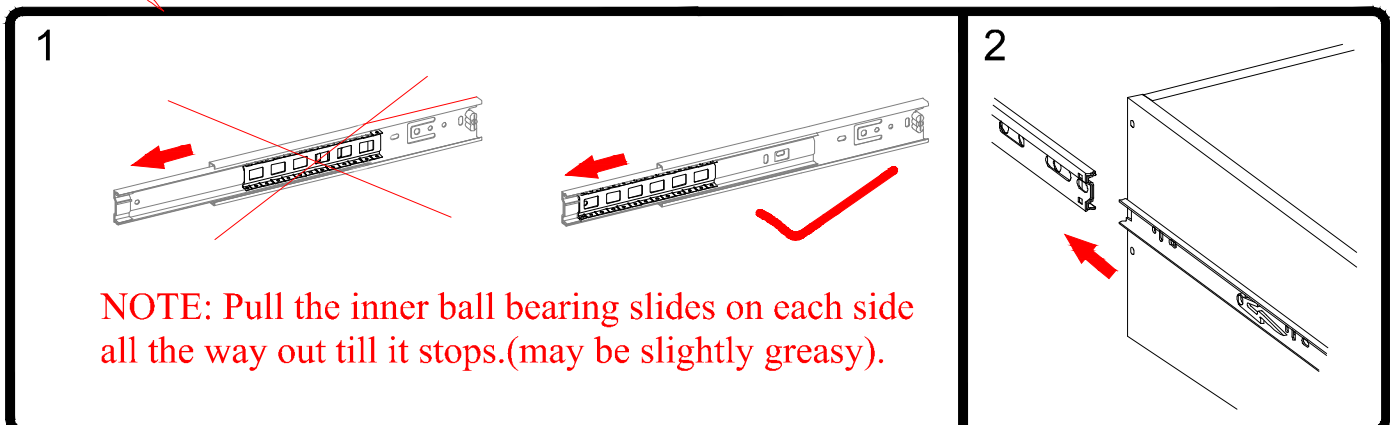
### Step 2: Align & Attach Drawer to Cabinet Slides

1. Lift the drawer (ensuring its inner ball bearing slides are fully extended to the stops).
2. Align the drawer's inner slides with the corresponding outer slides on the cabinet (or brackets).
3. Following the direction of the arrows (black arrows in the diagram), push the drawer smoothly into the cabinet until it clicks securely into the slides. Ensure movement is smooth and there is no looseness.



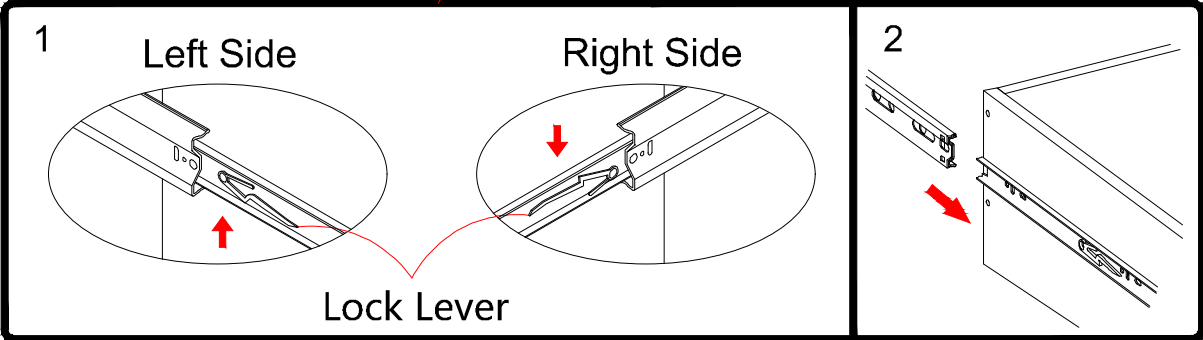
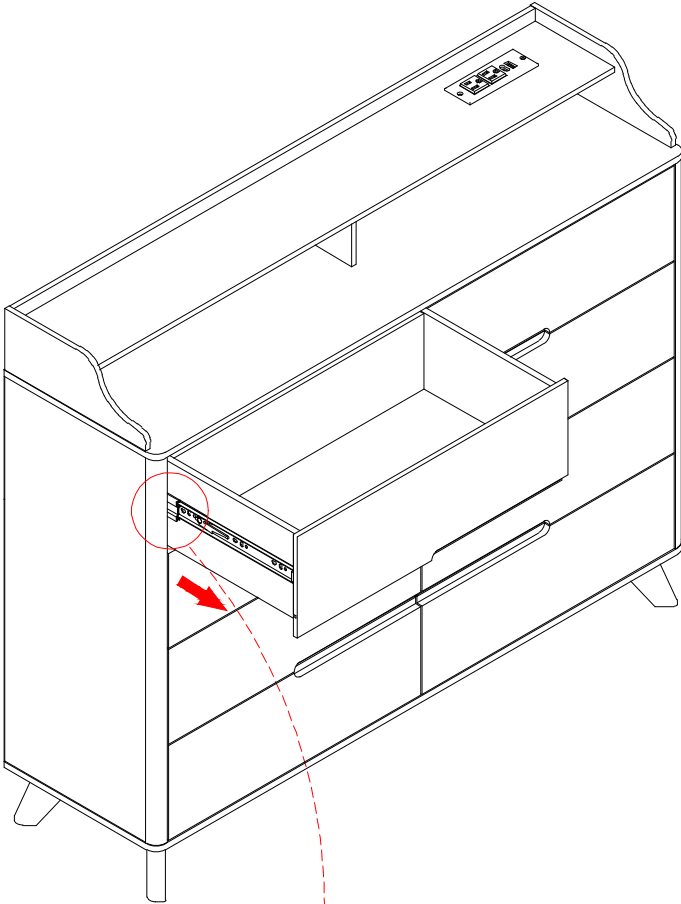
### Additional Notes

- If resistance is felt while pulling the slides, check for obstructions or misalignment.
- If insertion is difficult, verify that the slides are fully aligned with the stops.
- After installation, gently pull the drawer to confirm smooth sliding and secure locking.

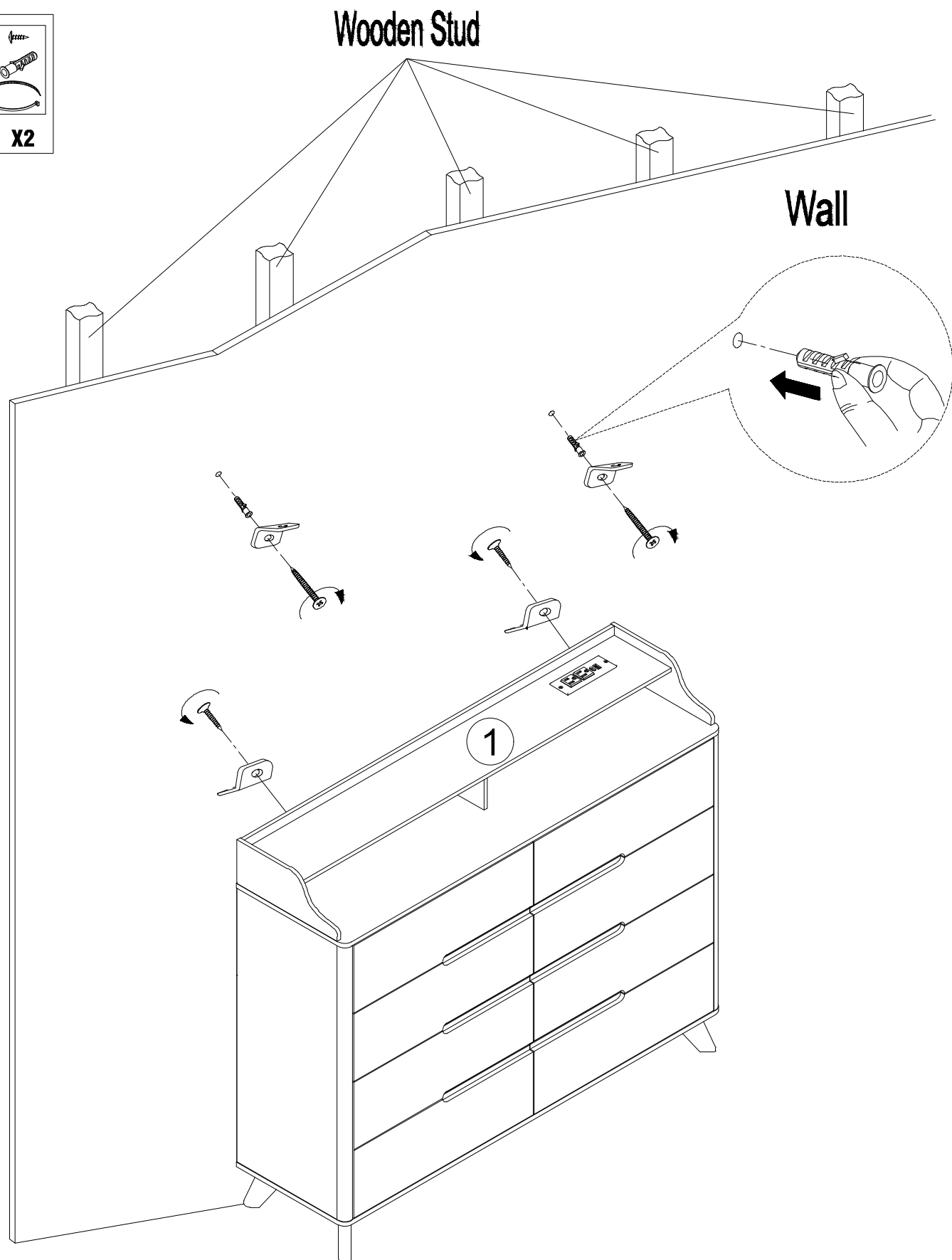
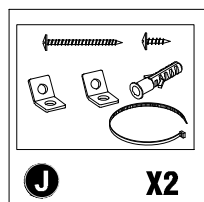


# STEP 24 Drawer Installation Steps

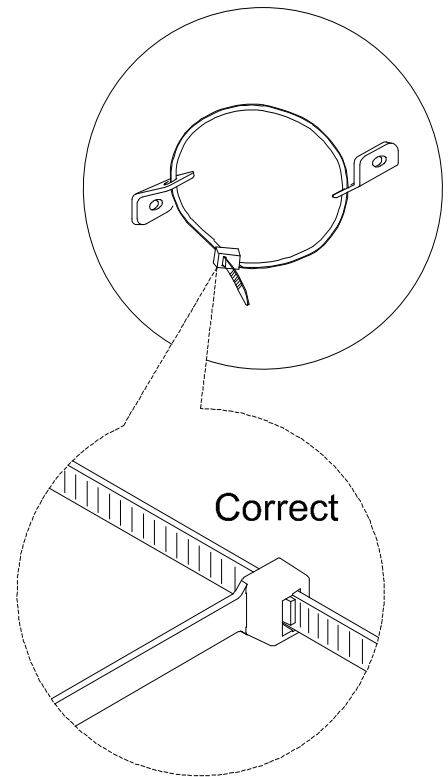
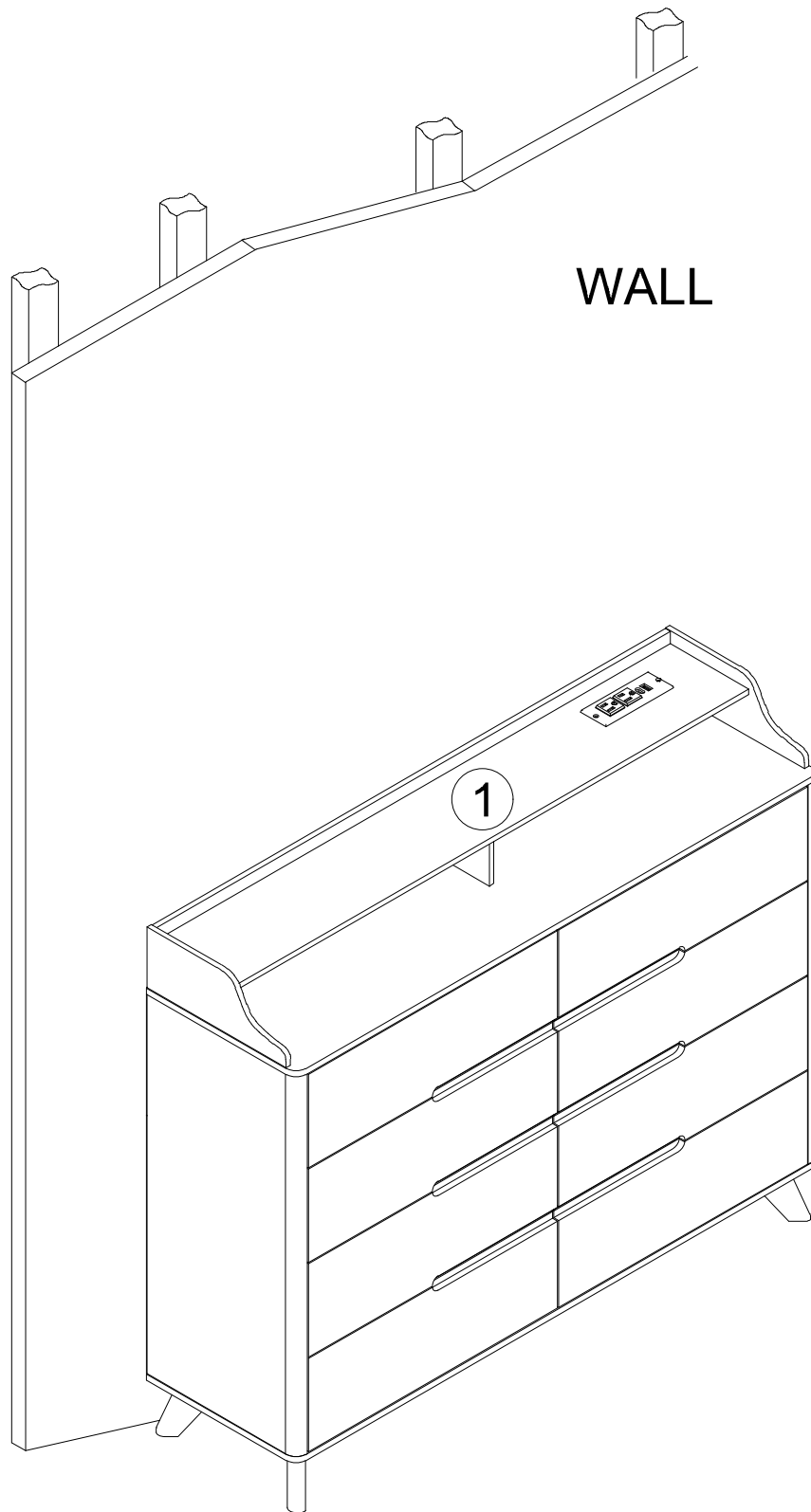
- Pull the drawer fully open so levers are visible.
- Push up on left side lever and down on right side lever.
- Holding levers in place, pull drawer toward you.



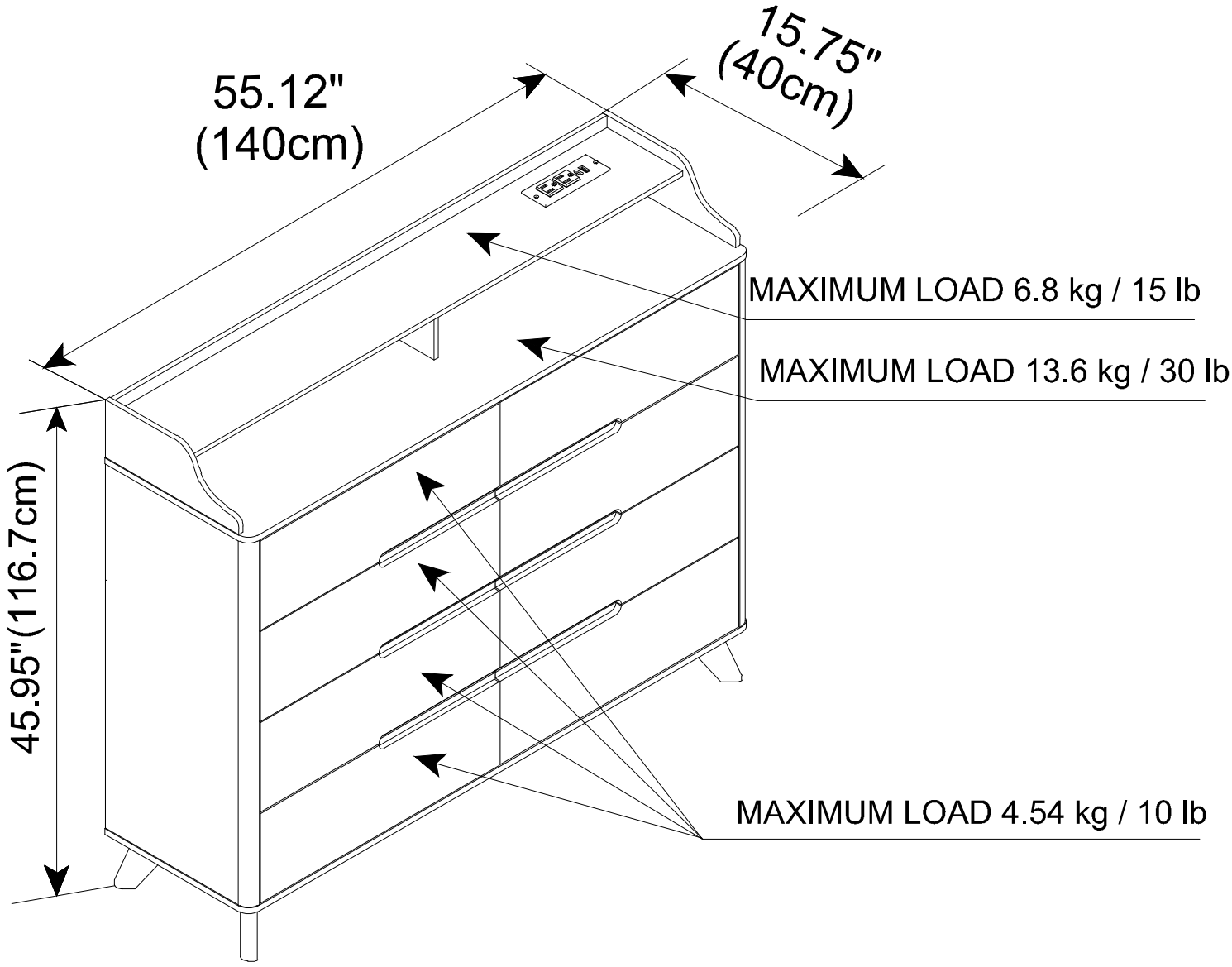
# STEP 25 Install the anti-tip hardware to the wall and the back of the cabinet



# STEP 26 Connect the anti-tip metal buckles using plastic zip ties



# STEP 27 Unit Dimensions



## SPECIFICATIONS

ASSEMBLED DIMENSIONS(W x D x H)

55.12" x 15.75 " x45.95"

140 x 40 x 116.7 cm

MAXIMUM WEIGHT CAPACITY

Top: 15 lb