



### FEATURES

- Solid vitreous china construction
- Stainless steel legs for support
- Glazed, non-porous finish
- Standard 1<sup>3</sup>/<sub>8</sub>" faucet hole
- Standard 1<sup>3</sup>/<sub>4</sub>" drain hole
- With overflow

### INSTALLATION

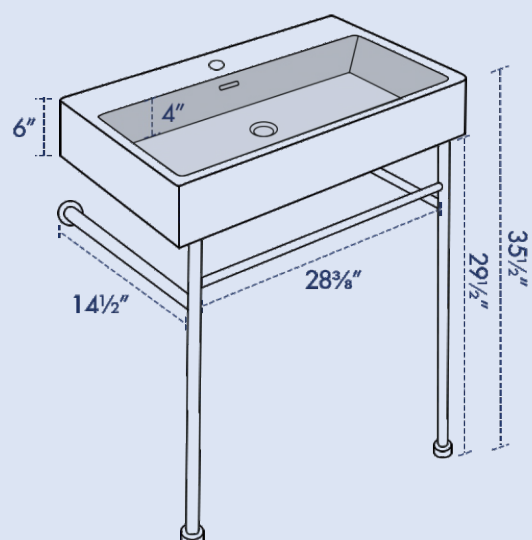
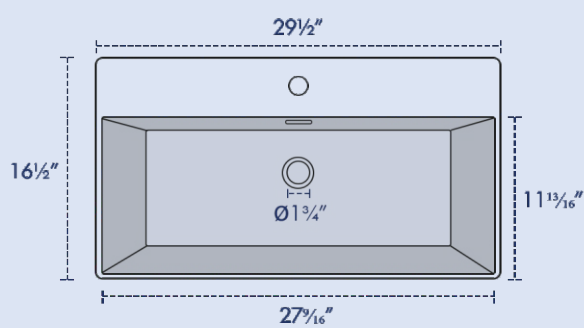
- Back to Wall

### PARTS INCLUDED




- Sink: ERI-CB-105-MB
- Stainless Steel Support Legs
- Mounting Hardware

### SPECIFICATIONS

- Dimensions: 29<sup>1</sup>/<sub>2</sub>"L x 16<sup>1</sup>/<sub>2</sub>"W x 35<sup>1</sup>/<sub>2</sub>"H
- Inner dim: 27<sup>9</sup>/<sub>16</sub>"L x 11<sup>13</sup>/<sub>16</sub>"W x 4"H
- Net weight: 52.8 lbs



### COLORS & FINISHES

-  White / Matte Black
-  White / Brushed Gold
-  White / Brushed Nickel