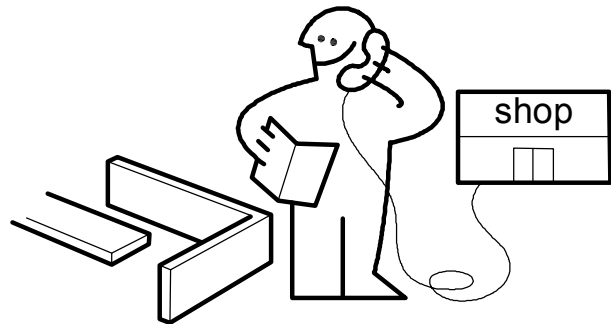
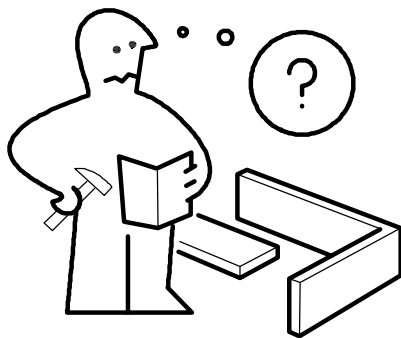
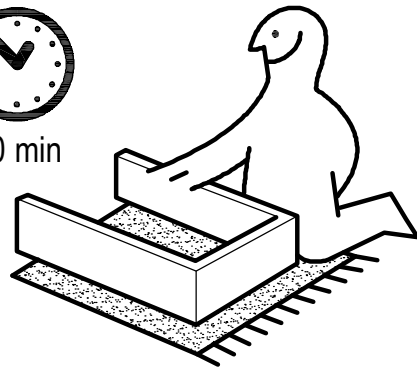



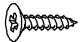


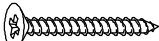


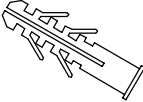


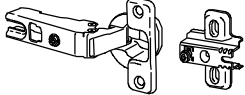
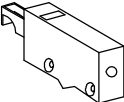


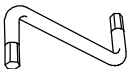

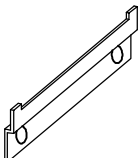
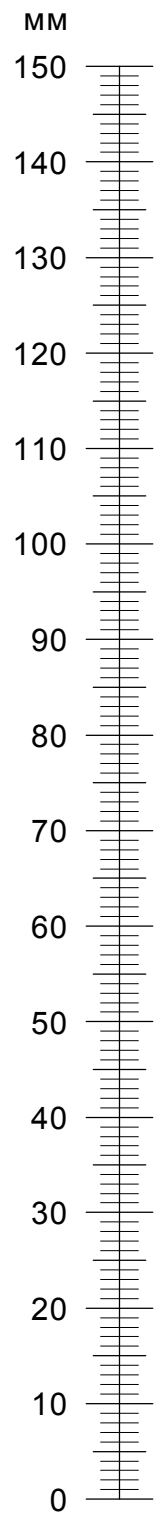


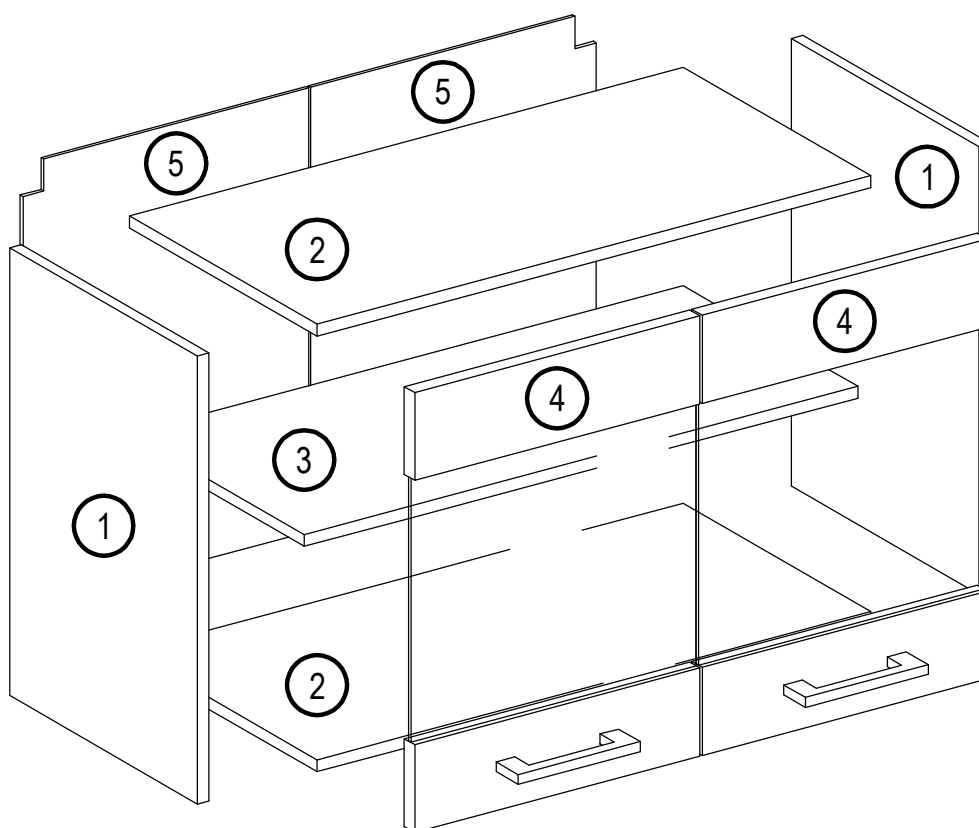
20 min




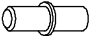

 <b>A1</b> 8*30mm x8	 <b>B</b> x8
 <b>B1</b> 6,3*50mm x8	 <b>E8</b> 4*16mm x8
 <b>E9</b> 4*30mm x4	 <b>E11</b> 4*40mm x4
 <b>E16</b> 6*60mm x4	 <b>F1</b> 6,3*13mm x8
 <b>H1</b> x4	 <b>H5</b> 10*50mm x4
 <b>I8</b> x2	 <b>J1</b> x4
 <b>L1</b> x4	 <b>N1</b> x2
 <b>P4</b> L-565 x1	 <b>R3</b> 1.4*25mm 0.01kg
 <b>R4</b> x1	 <b>U3</b> x4
 <b>H7</b> x2	

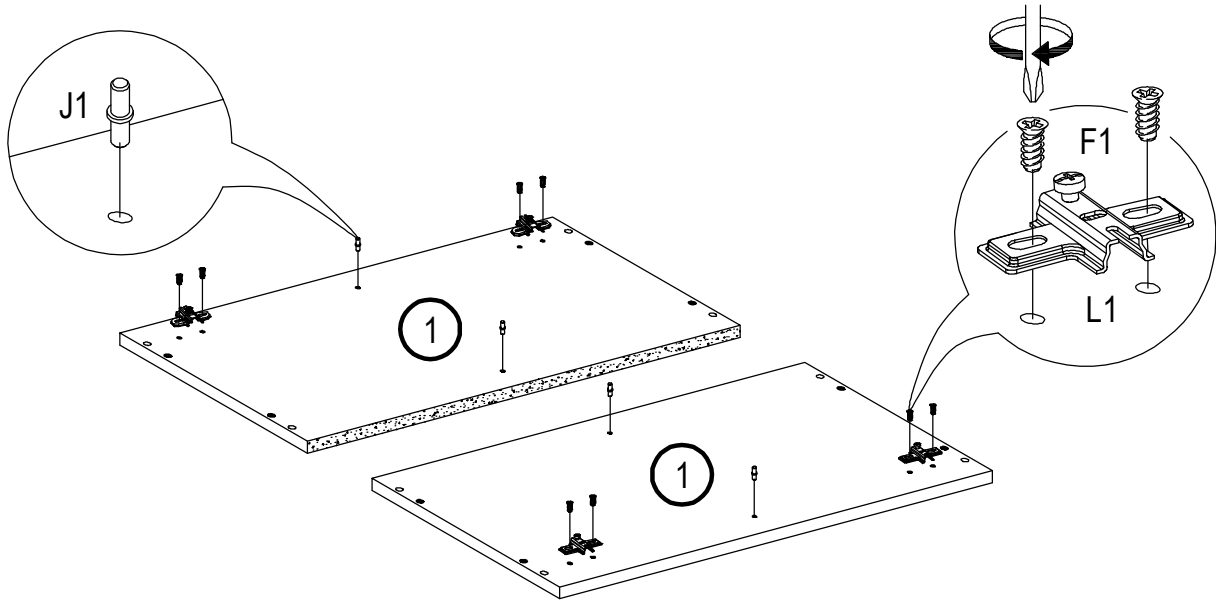


№	a*b	x	пак.
1	600x290	2	1
2	767x290	2	1
3	767x270	1	1
4	396x590	2	2
5	396x595	2	2

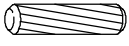


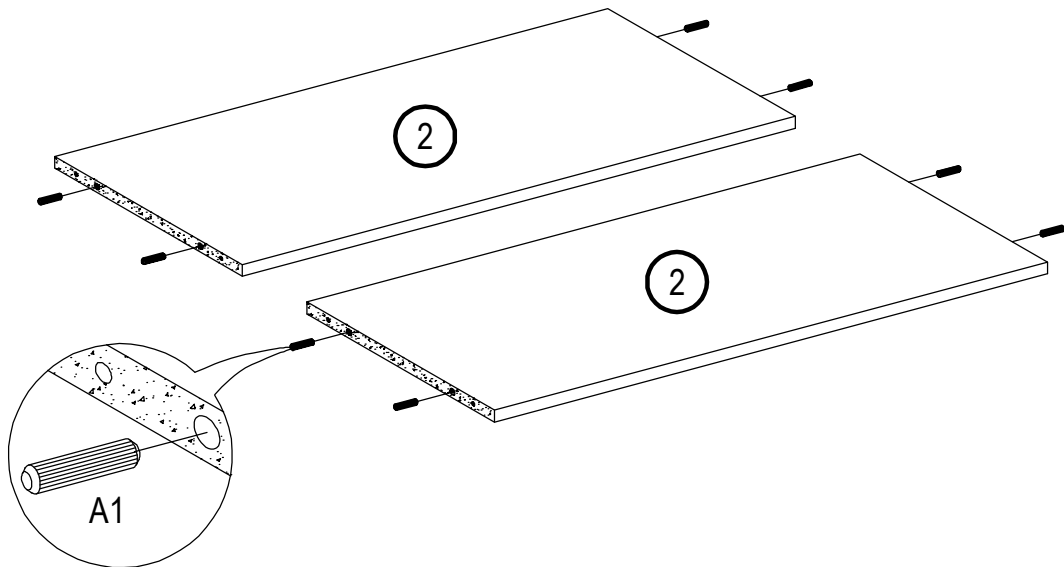
# 1

 <b>F1</b> 6,3*13mm x8	 <b>J1</b> x4	 <b>L1</b> x4
--	---	---




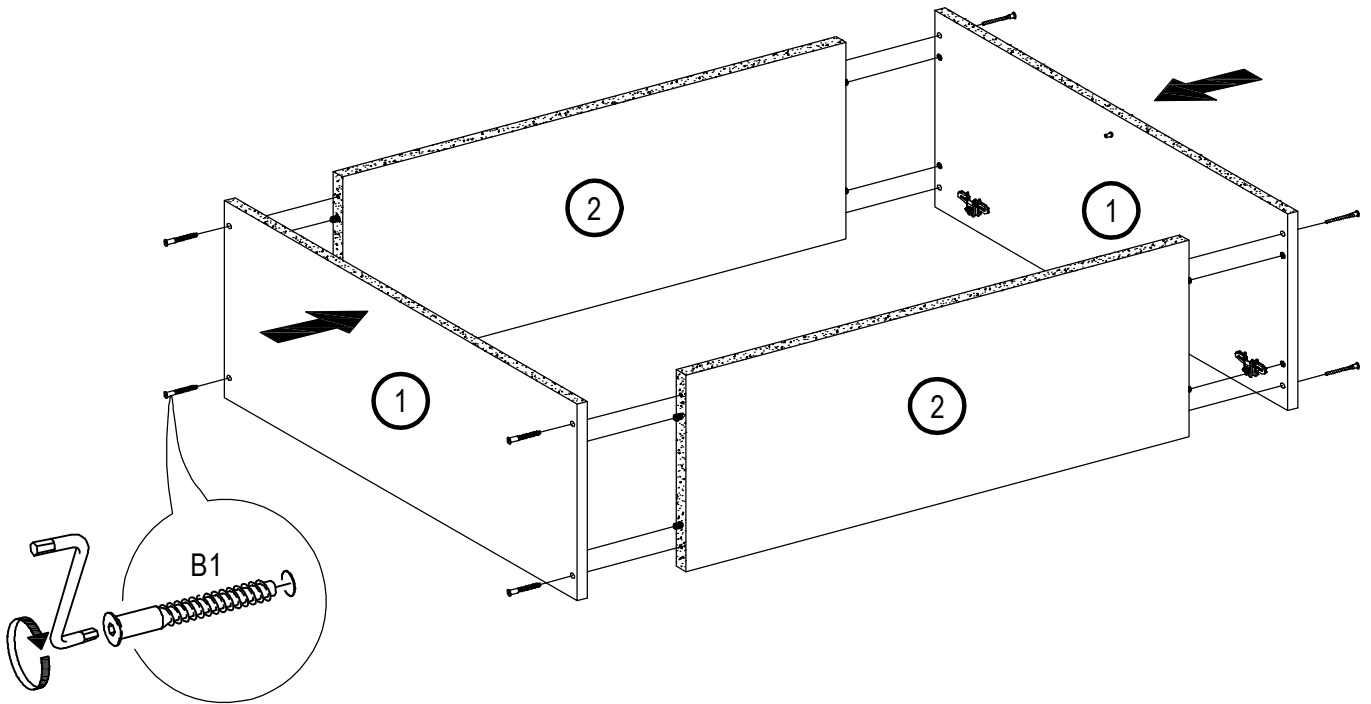
# 2

 <b>A1</b> 8*30mm x8
--

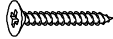
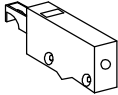


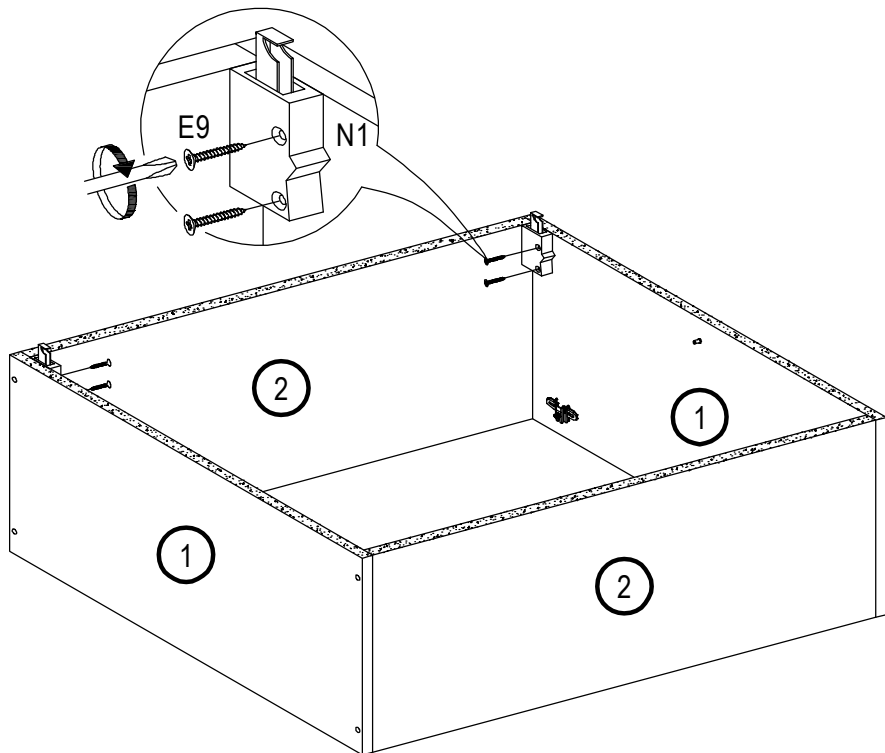
# 3


<b>B1</b> 6,3*50mm x8

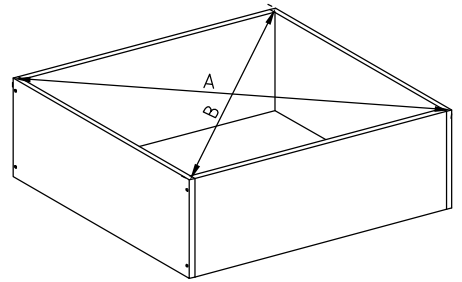
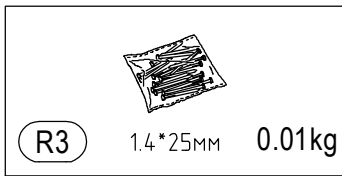


# 4

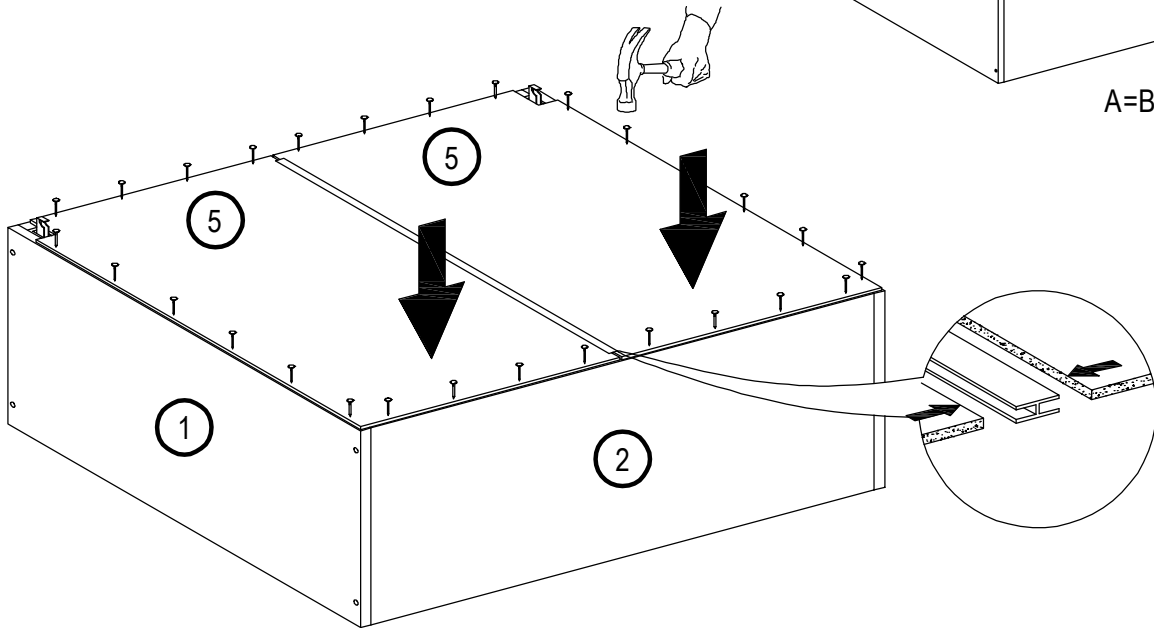
	
<b>E9</b> 4*30mm x4	<b>N1</b> x2



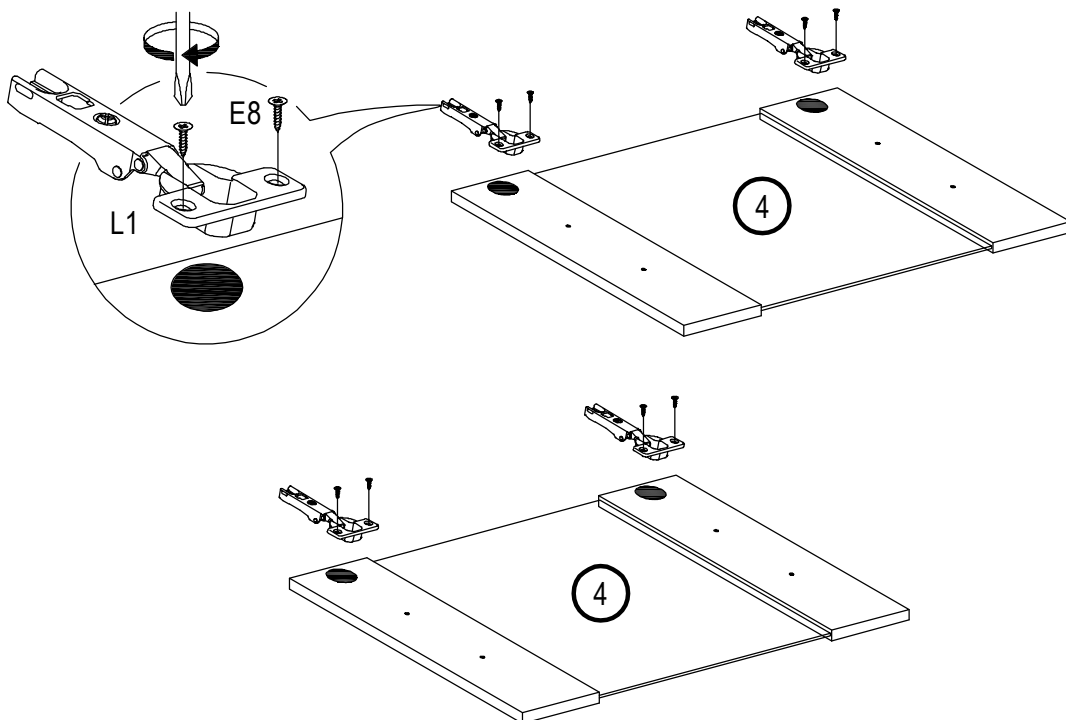
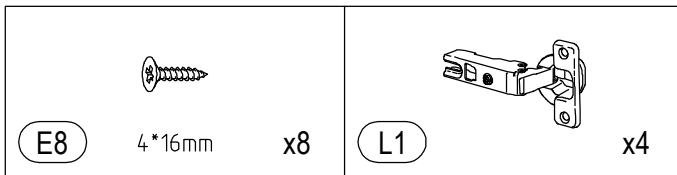
# 5



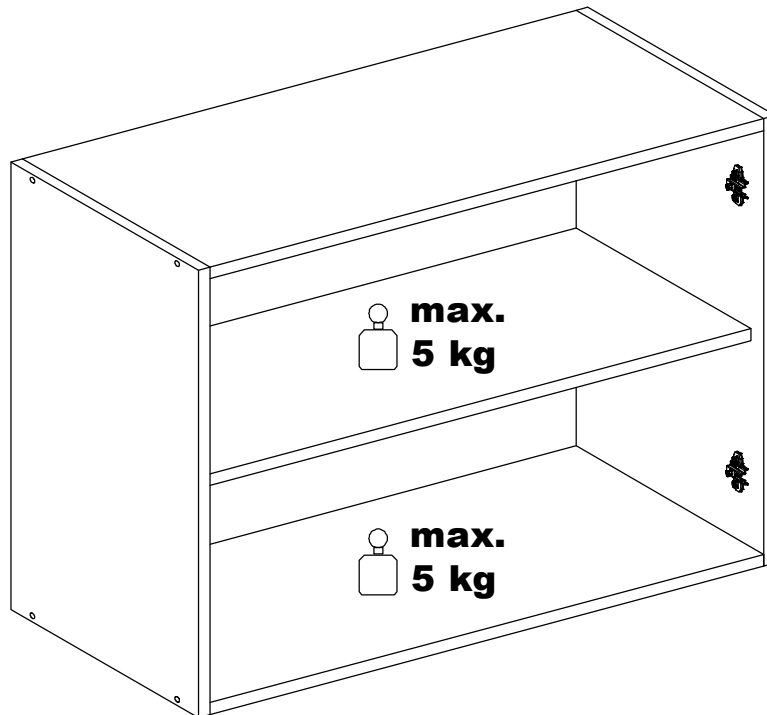
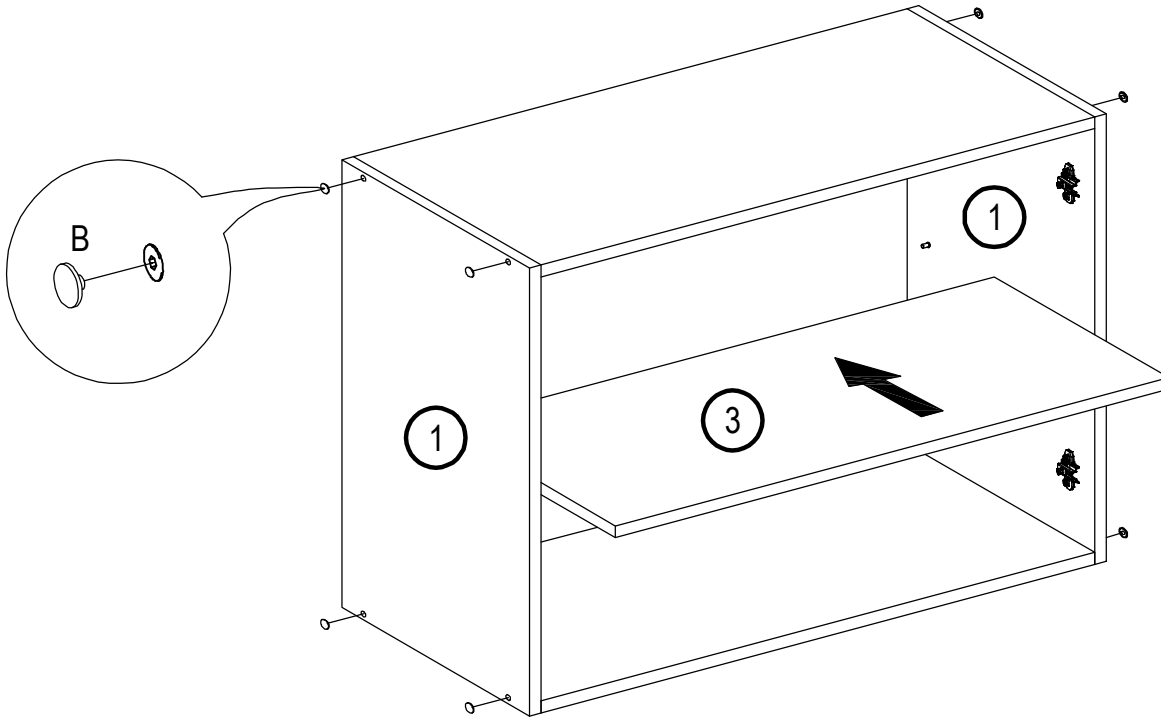
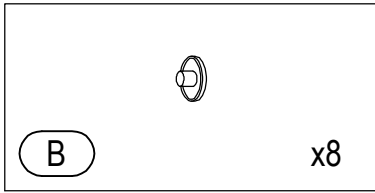
A=B



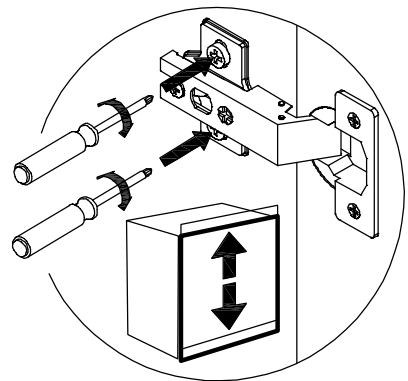
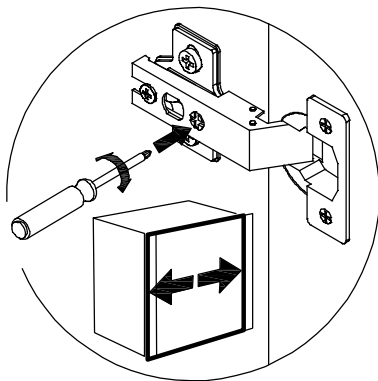
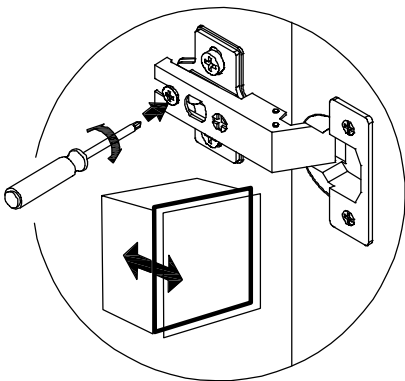
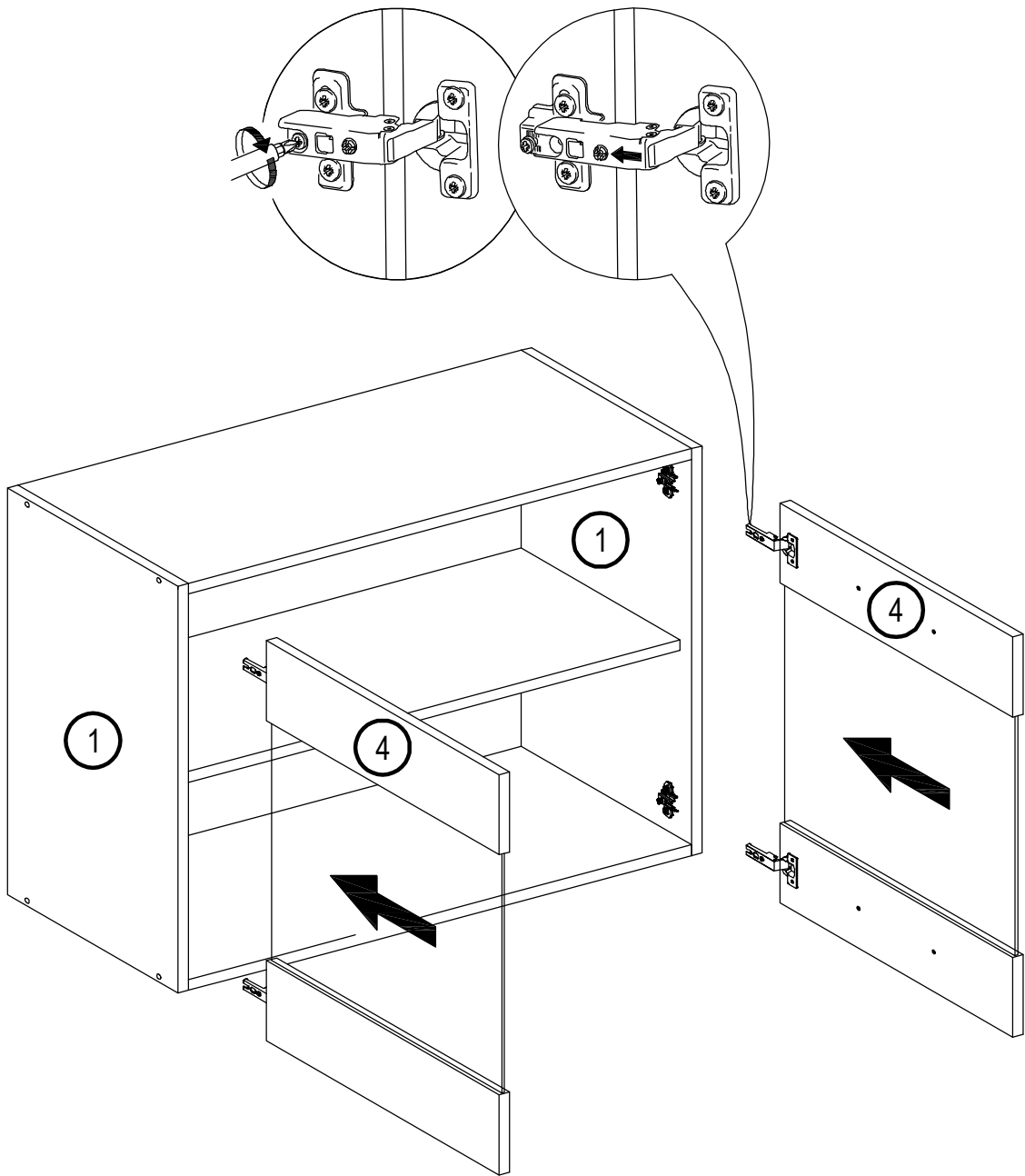
# 6



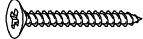



# 7



# 8



# 9

 E11 4*40mm x4	 H1 x4	 I8 x2
		 U3 x4

