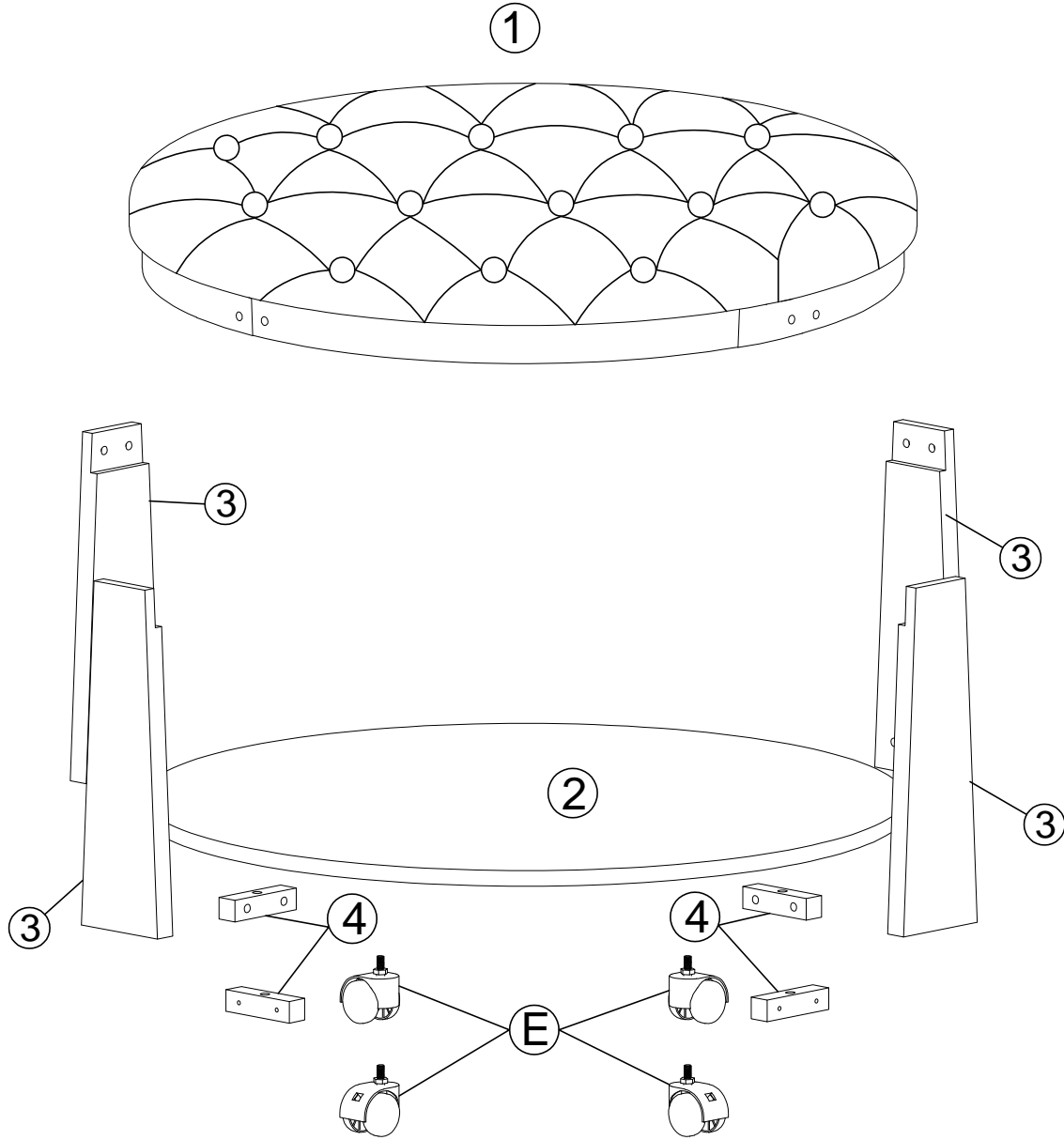
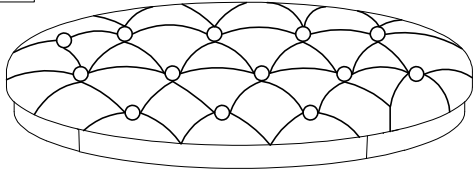
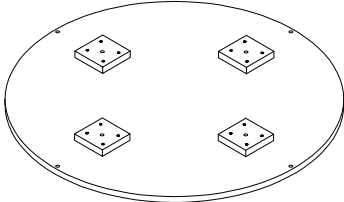
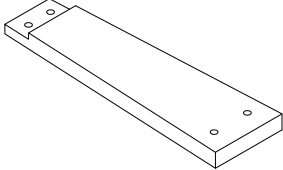
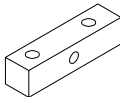







Detail View



Part List

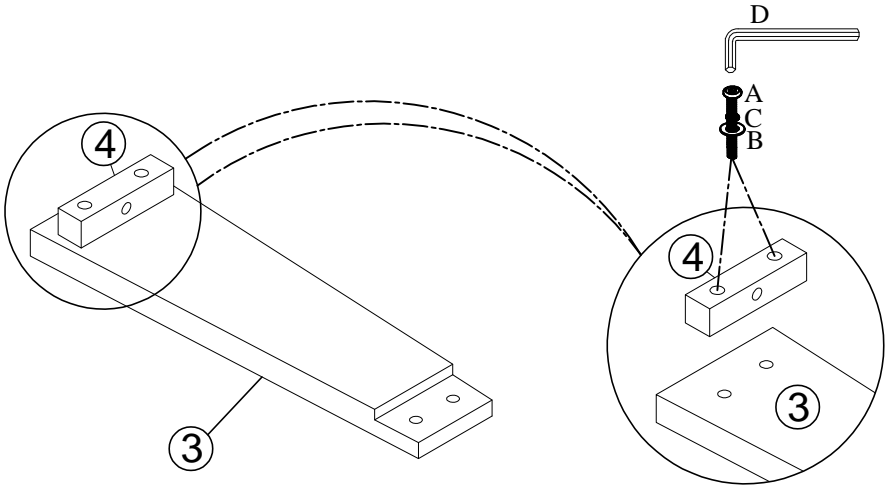
<p>1</p>  <p>Top Frame - 1pc</p>	<p>2</p>  <p>Bottom Frame - 1pc</p>
<p>3</p>  <p>Legs - 4pcs</p>	<p>4</p>  <p>Block KD - 4pcs</p>

Hardware List

<p>A</p>  <p>ø1/4"x25mm</p>	<p>B</p>  <p>ø1/4"x14x1mm</p>	<p>C</p>  <p>ø1/4"x11x1mm</p>
<p>Hex-Head bolts (20pcs)</p>	<p>Washer (20pcs)</p>	<p>Spring Washer (20pcs)</p>
<p>D</p>  <p>4mm</p>	<p>E</p> 	
<p>Allen key(1pc)</p>	<p>Wheel (4pcs)</p>	

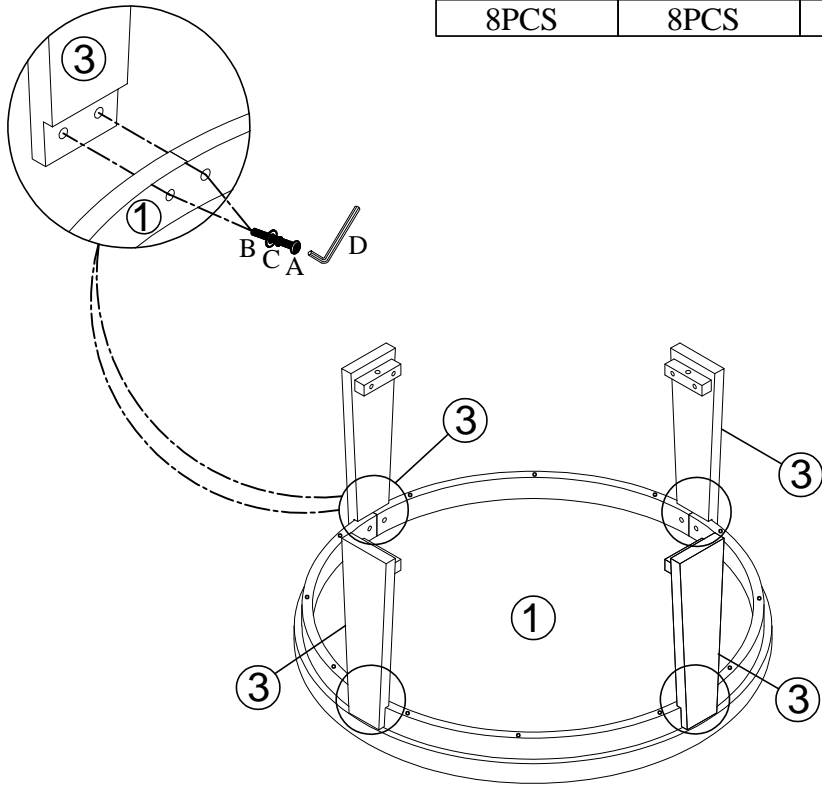
STEP: 1

A	B	C	D
8PCS	8PCS	8PCS	1PCS







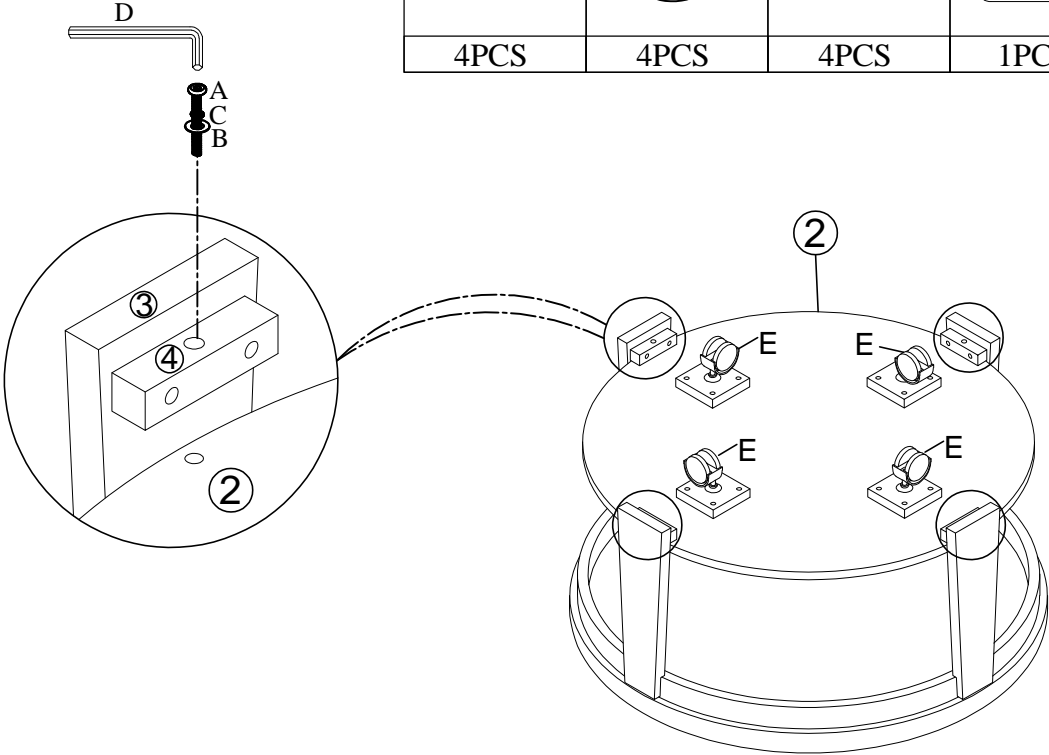
STEP: 2

A	B	C	D
8PCS	8PCS	8PCS	1PCS




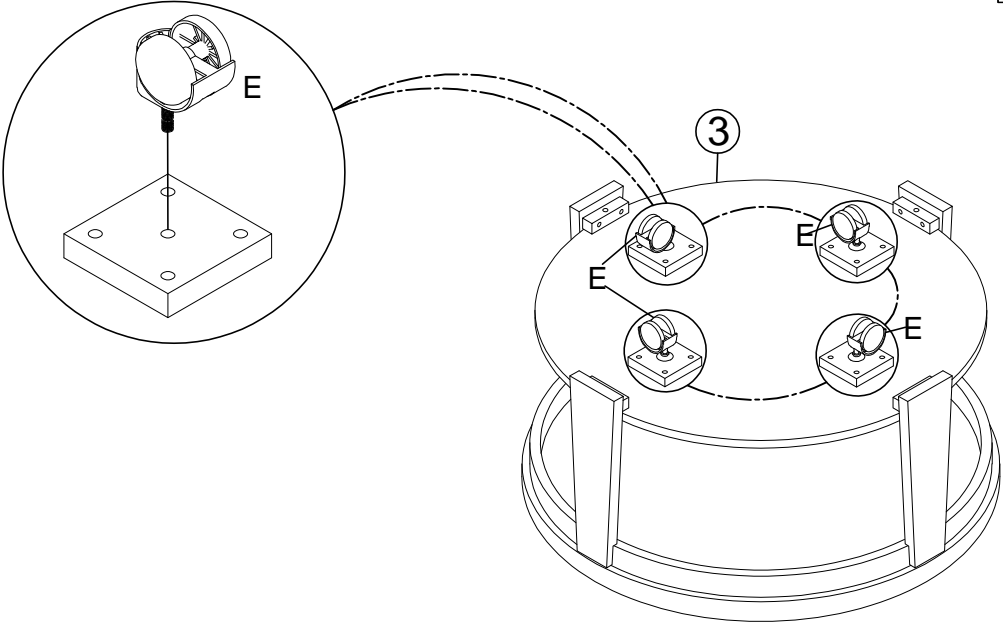
STEP: 3

<p>A</p> 	<p>B</p> 	<p>C</p> 	<p>D</p> 
<p>4PCS</p>	<p>4PCS</p>	<p>4PCS</p>	<p>1PCS</p>



STEP: 4

<p>E</p> 
<p>4pcs</p>



STEP: 5

