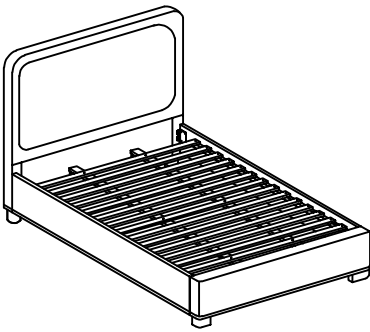


# ASSEMBLY INSTRUCTION

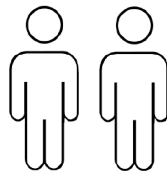
## K



### + Do Not Use Power Tools



### + Suggested Adults



### NOTE:

- 1 Read instructions cover to cover.
- 2 Save all packaging until assembly is completed.

### 1 IMPORTANT SAFETY INFORMATION

**Do not** assemble the product if any of the following parts arrived damaged:

- Part # - Side Rails
- Part # - Center Support Bar
- Part # - Support Legs
- Part # - Slats

### 2 IMPORTANT ASSEMBLY INFORMATION

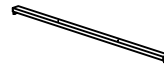
**Assembly Step** Ensure the side rail bracket is fully hooked onto bolt loosely threaded with both washers on the **OUTSIDE** of the bracket first, then proceed to fully tightening all 4 corners.

### + Parts Included

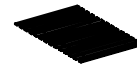
- |                          |                          |                           |
|--------------------------|--------------------------|---------------------------|
| ① Headboard<br>(1 of pc) | ② Footboard<br>(1 of pc) | ③ Side Rail<br>(2 of pcs) |
|--------------------------|--------------------------|---------------------------|



- |                             |                               |                               |
|-----------------------------|-------------------------------|-------------------------------|
| ④ Center Rail<br>(2 of pcs) | ⑤ Headboard Leg<br>(2 of pcs) | ⑥ Footboard Leg<br>(2 of pcs) |
|-----------------------------|-------------------------------|-------------------------------|

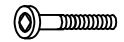
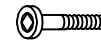


- |                           |                             |
|---------------------------|-----------------------------|
| ⑦ 14 Pcs Slat<br>1 of set | ⑧ Support Leg<br>(2 of pcs) |
|---------------------------|-----------------------------|

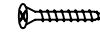


### + Hardware Included

- |                                 |                                 |                                 |
|---------------------------------|---------------------------------|---------------------------------|
| A JCBB<br>M8x30mm<br>(8 of pcs) | B JCBC<br>M6x40mm<br>(4 of pcs) | C JCBC<br>M6x50mm<br>(4 of pcs) |
|---------------------------------|---------------------------------|---------------------------------|



- |                                  |                                   |  |
|----------------------------------|-----------------------------------|--|
| D CSK<br>M4 x 25mm<br>(4 of pcs) | E CSK<br>M4 x 32mm<br>(34 of pcs) | F Allen Key<br>M4 x 100mm<br>(1 of pc) |
|----------------------------------|-----------------------------------|--|

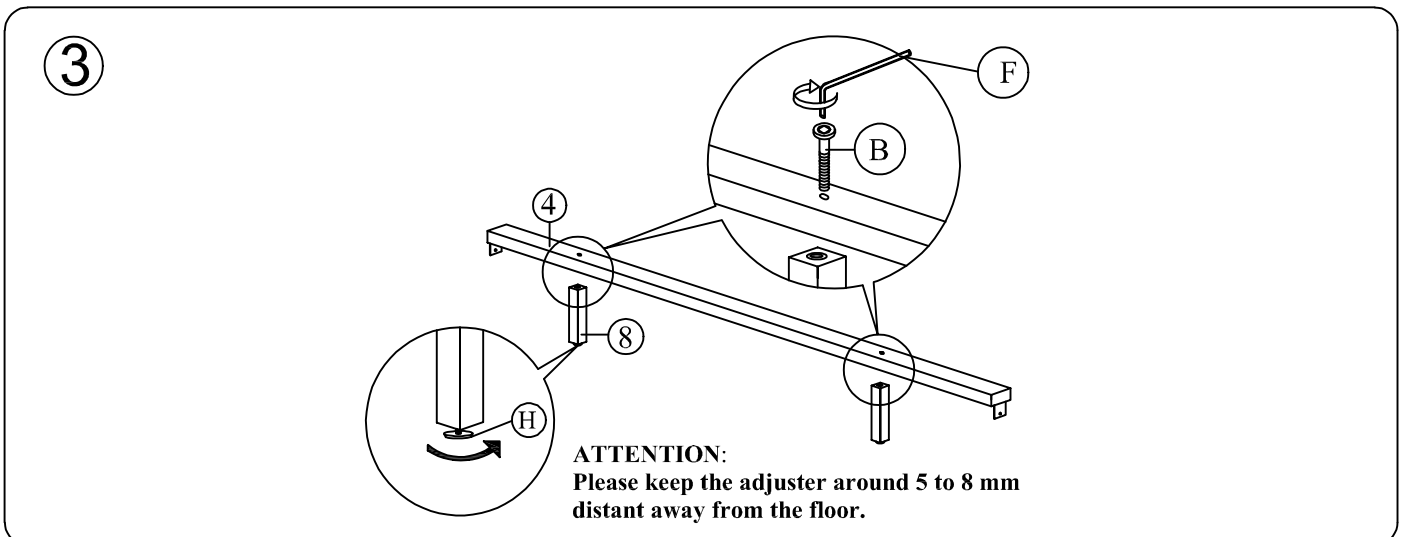
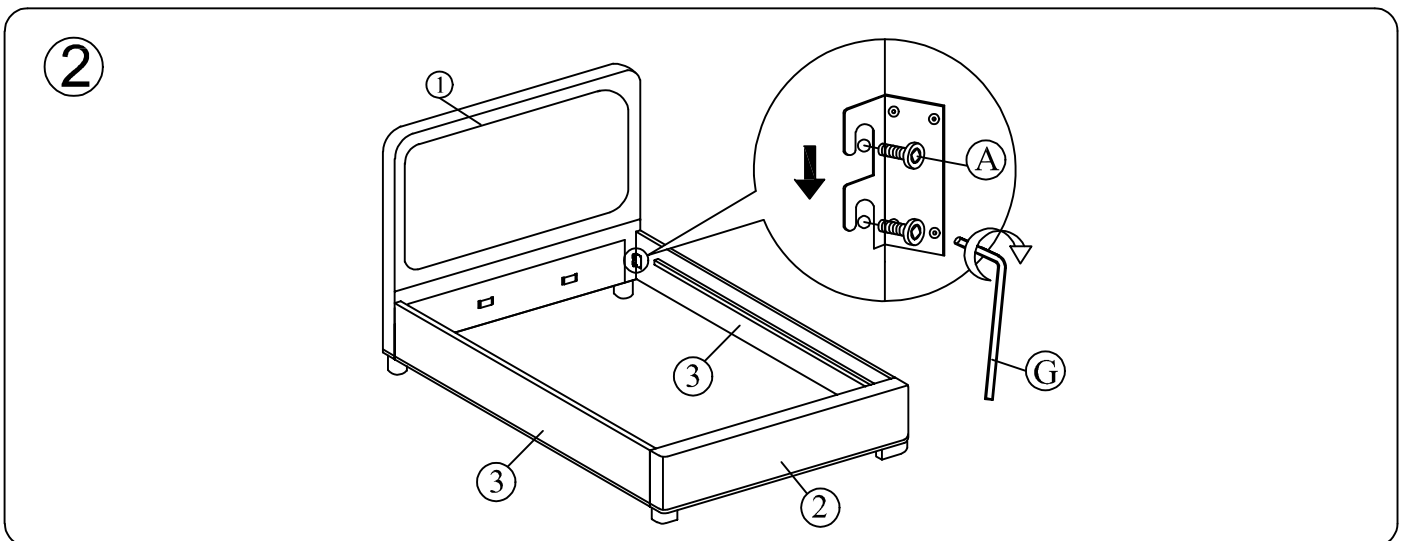
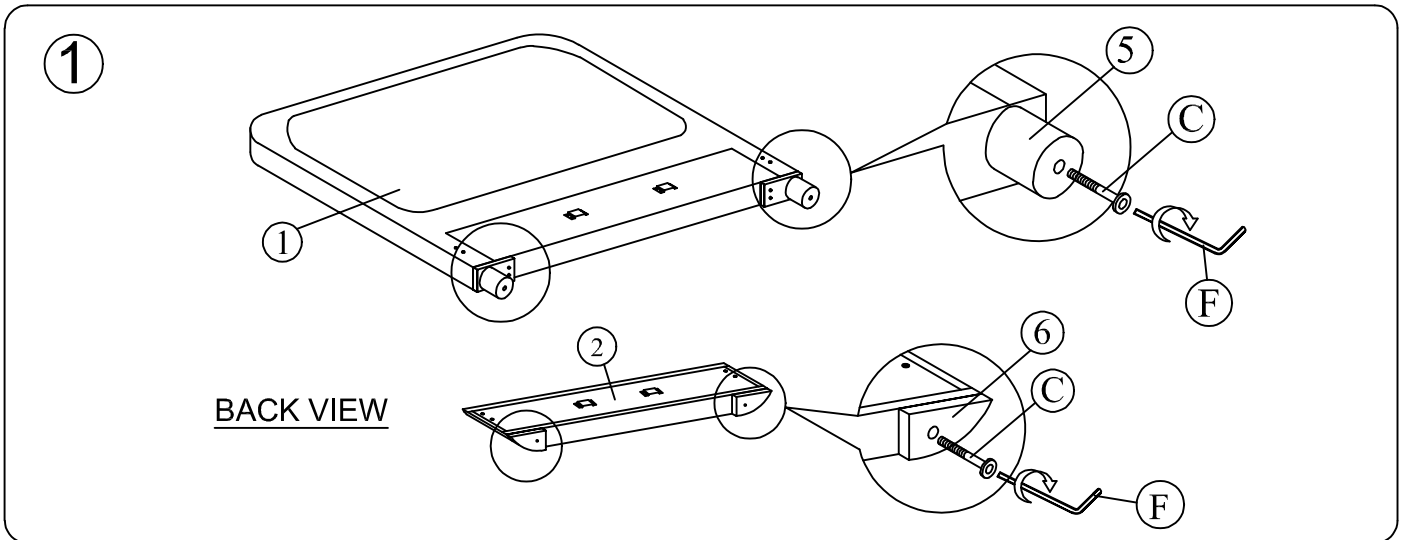


- |                                       |                          |
|---------------------------------------|--------------------------|
| G Allen Key<br>M5 x 70mm<br>(1 of pc) | H Adjuster<br>(4 of pcs) |
|---------------------------------------|--------------------------|



# ASSEMBLY INSTRUCTION

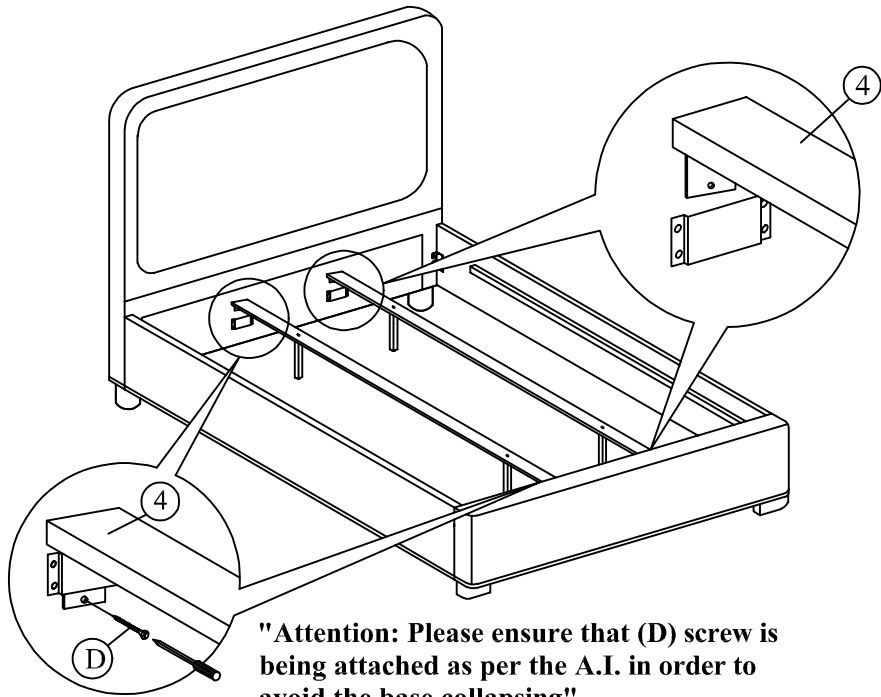
## K



# ASSEMBLY INSTRUCTION

## K

4



"Attention: Please ensure that (D) screw is being attached as per the A.I. in order to avoid the base collapsing"

5

