

# Installation Instruction

PARTS LIST			<p>Please check all the parts list, make sure no one missing or damaged. Please contact seller if there are any parts missing or damaged.</p>	
A		2		
B		4		
C		4		
D		4		
E		8		
F		8		
G		8		
H		4		
I		16		
J		1		
K		1		
L		12		
M		2		
N		1		

**A\*2**

**B\*4**

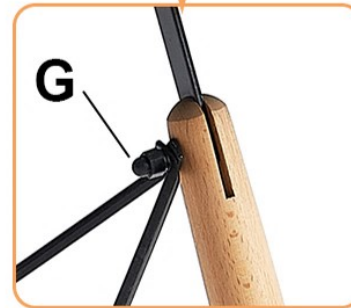
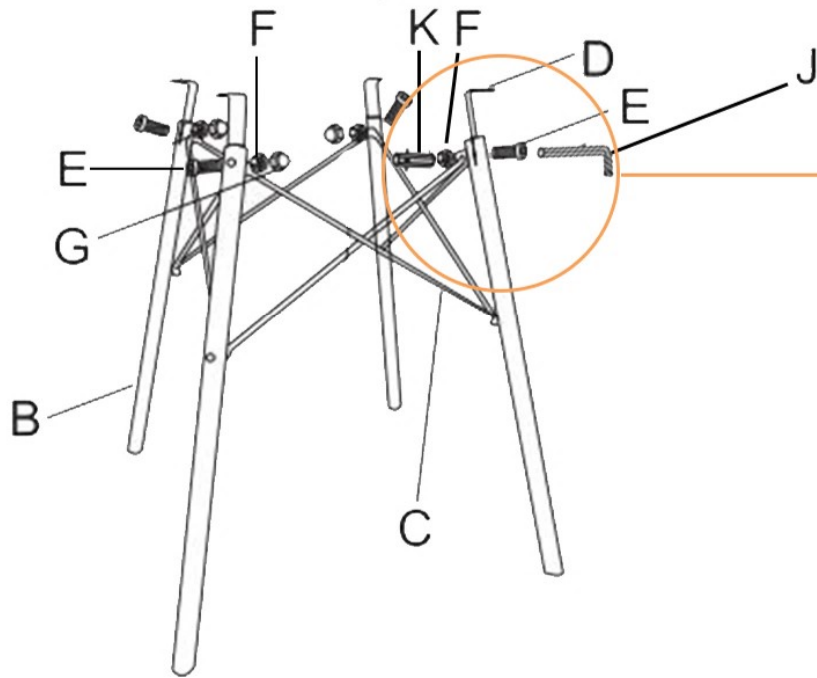
**C\*4**

**Spare parts**

**D\*4** **L\*12** **H\*4** **E\*8** **K\*1** **M\*2**

**F\*8** **G\*8** **I\*16** **J\*1** **N\*1**

**STEP 1** Screw the 4 holes on top of the legs



"G" is a security cover, please use "G" to cover "F" after all the screws are tightened.

**Notes:**

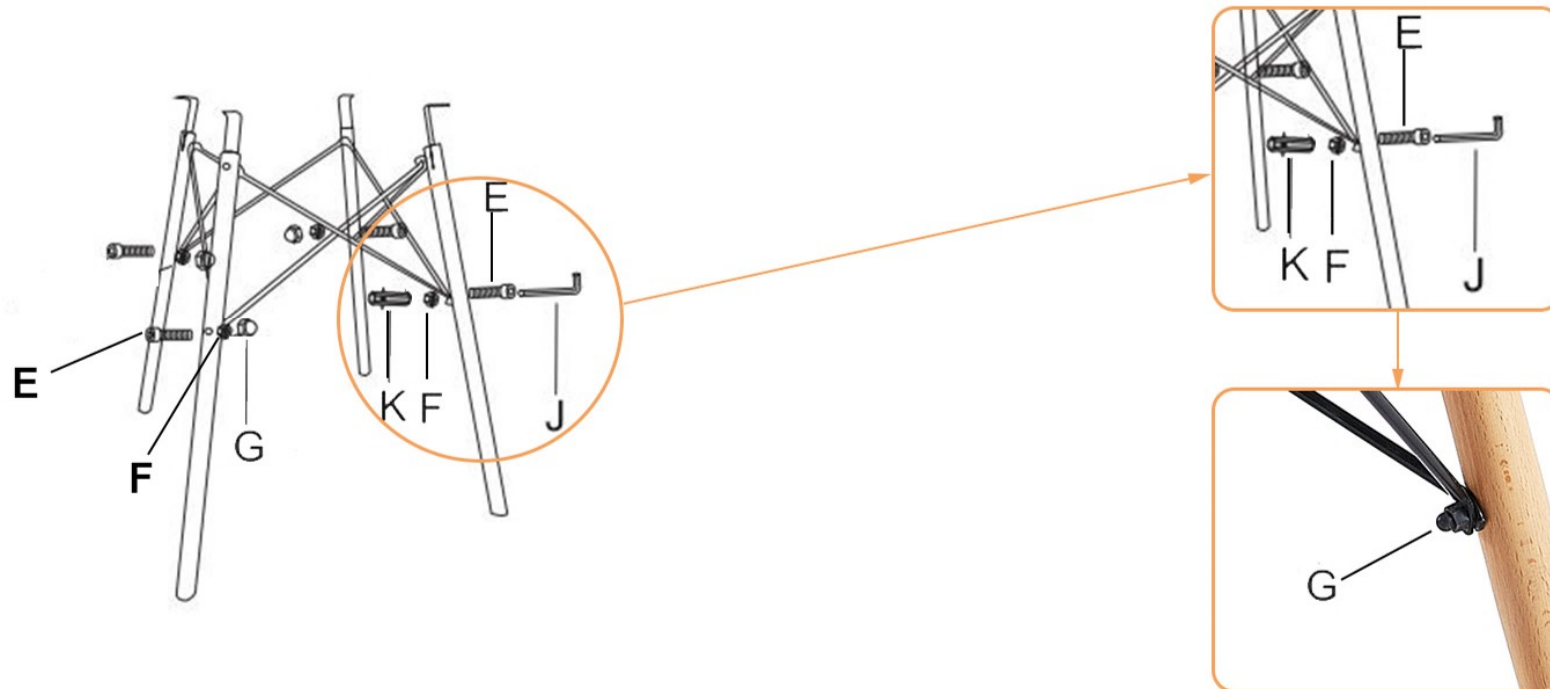
1. J and K are two tools to help you easily screw the screws.
2. In this step, you need to screw 4 holes on top of the 4 legs.
3. **Do not fully tighten these 4 holes, because 100% tighten them in this step may cause other holes mismatched on the following steps. 70% is recommended.**
4. Don't use "G" till step 4. E,F,G are an accessories set for a single hole on the legs.

**Parts needed**

B		4
C		4
D		4
E	 6*40MM	4
F		4
G		4
J		1
K		1

# Installation Instruction

**STEP 2** Screw the 4 holes on the middle of the legs



*"G" is a security cover, please use "G" to cover "F" after all the screws are tightened.*

**Notes:**

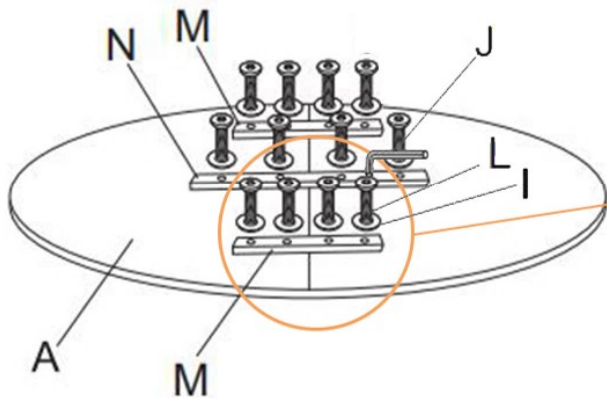
1. J and K are two tools to help you easily screw the screws.
2. In this step, you need to screw 4 holes on the middle of the 4 legs.
3. **Do not fully tighten these 4 holes, because 100% tighten them in this step may cause other holes mismatched on the following steps. 70% is recommended.**
4. Don't use "G" till step 4. E,F,G are an accessories set for a single hole on the legs.

**Parts needed**







E	 6*40MM	4
F		4
G		4
J		1
K		1

# Installation Instruction

## STEP 3 *Installing and securing the table top*



## Parts needed

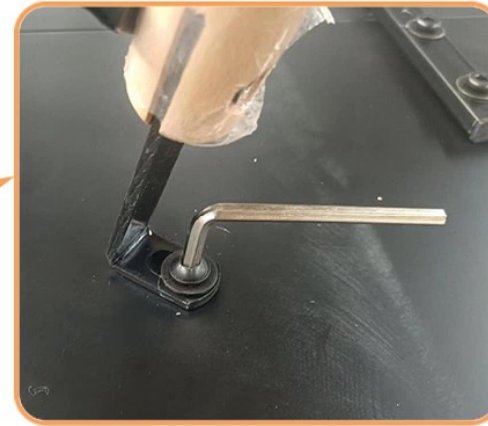
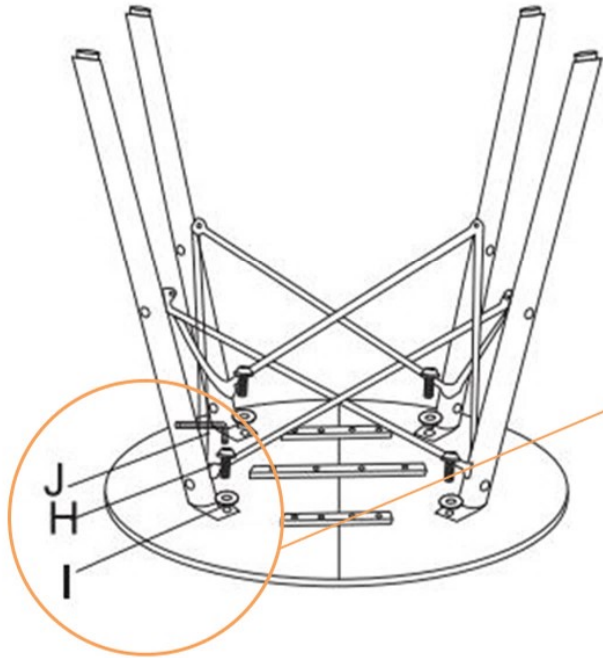
A		2
L		12
M		2
N		1
I		12
J		1

### Notes:




1. In this step, you need to screw 12 holes on the boards.
2. *Please put a dry cloth on the floor to prevent the boards from scratches.*
3. "J" is a tool to help you easily screw the screws. *Do not use power drill which may broke the boards, please gently screw the holes with "J".*

# Installation Instruction

## STEP 4 Connecting table top and base together



### Parts needed

H		4
L		4
J		1

### Notes:

1. In this step, you need to screw 4 holes on the table top.
2. **Please put a dry cloth on the floor to prevent the boards from scratches.**
3. "J" is a tool to help you easily screw the screws. **Do not use power drill which may broke the boards, please gently screw the holes with "J".**
4. When the base, legs and table top are all connected correctly, check and tighten 100% for all screws, and then cover all the 8 "F" with the 8 "G".

**Congratulations! Your assembly project is complete!**