

Dear Customer,

We design and produce our products for people to love and have fun with them as we do.  
The product you bought was subjected to all sorts of tests and control before sending out to you.

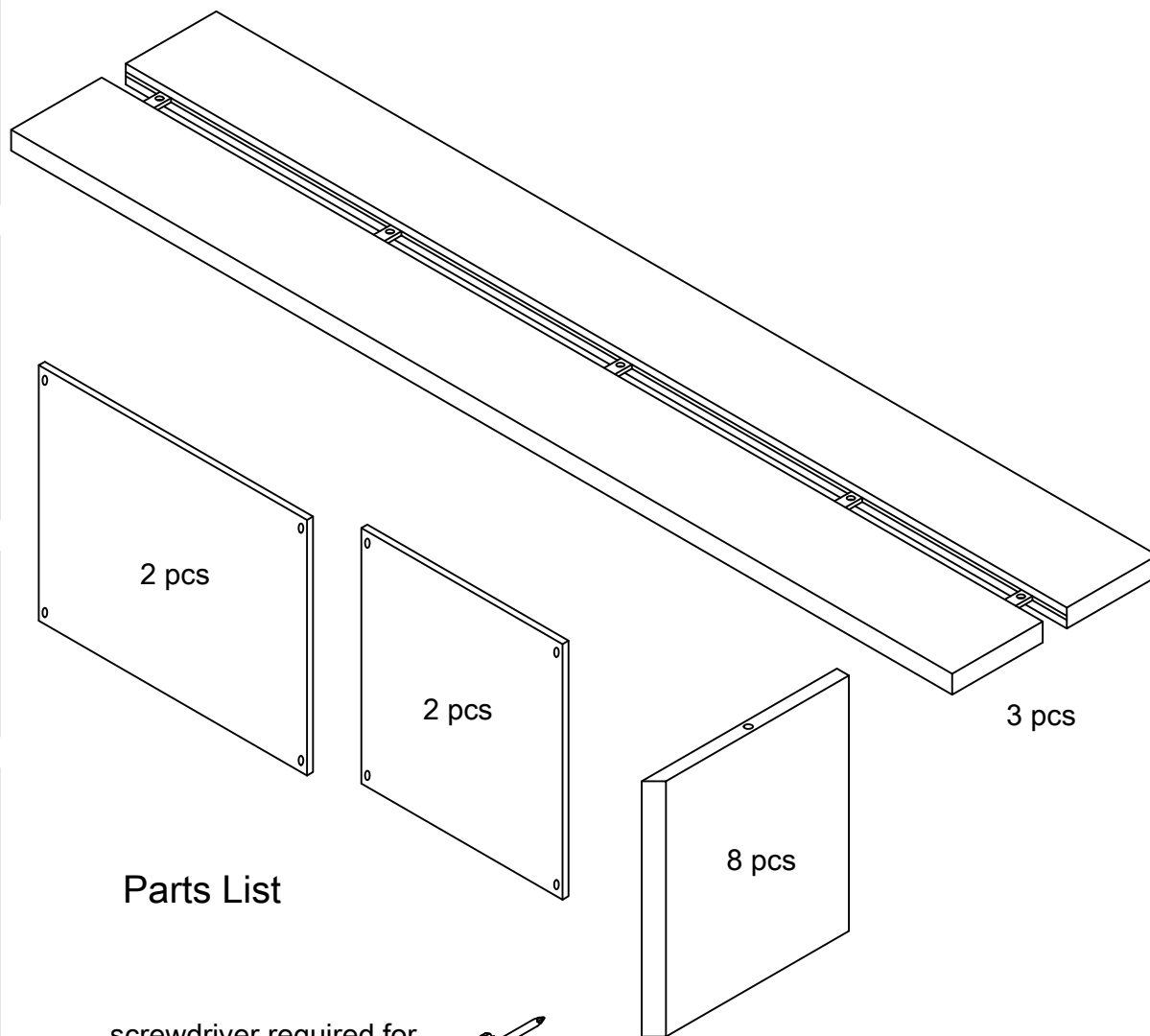
Before start assembling, please check the whole components and accessories according to the lists.  
If you bought more than one product, to prevent confusion be sure that you completed the first product. Then start the other product's assembling.

Please clean all the components with a damp cloth.  
Also for usual cleaning, this will be enough.

Although all the products are produced and packed carefully, sometimes happen that some component is damaged during the transportation. In such a case please check the missing or damaged part and do not hesitate to contact us





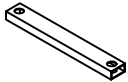

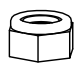
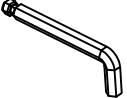
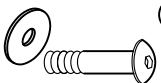

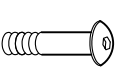
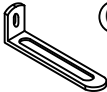
Do not use your furniture for out of purposes.  
If you would like to use it, please contact us for further questions via mail:

Do not directly contact your furniture with excessive heat, cold and humidity because the product can be affected..

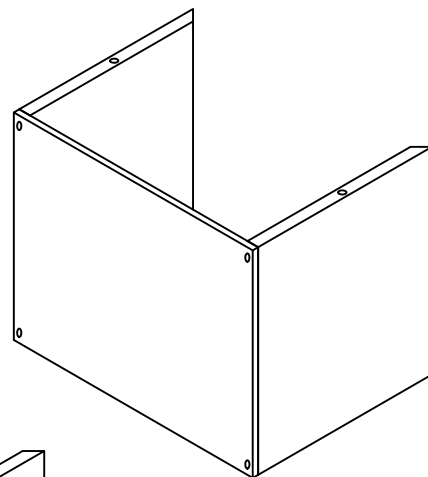


### Parts List

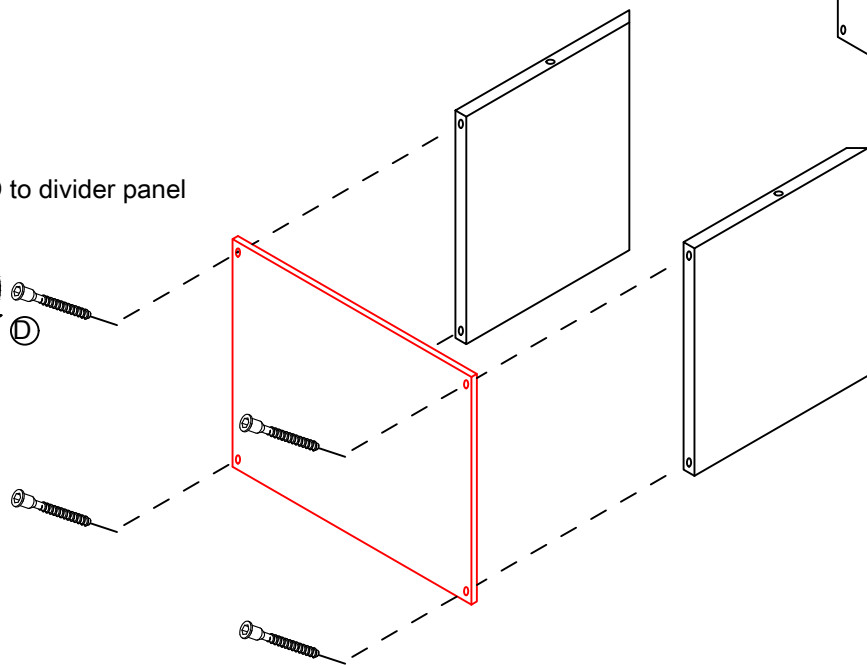
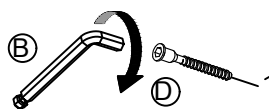
### Hardware List

1 pc Anchor  (M)	1 pc Screw M4*50  (J)	16 pcs Bolt M7*45  (D)	6 pcs Base leg  (A)
3 pcs Connect bar  (H)	1 pc Zip ties  (K)	7 pcs Nut  (E)	1 pc Allen key  (B)
6 pcs Bolt M6*25  (I)	17 pcs Slat  (L)	17 pcs Bolt M6*30  (F)	1 pc L shape bracket  (C)

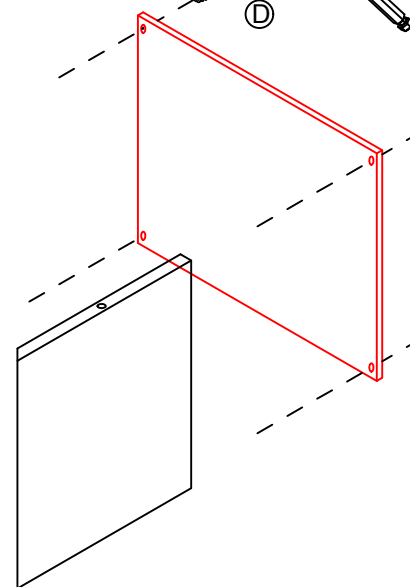
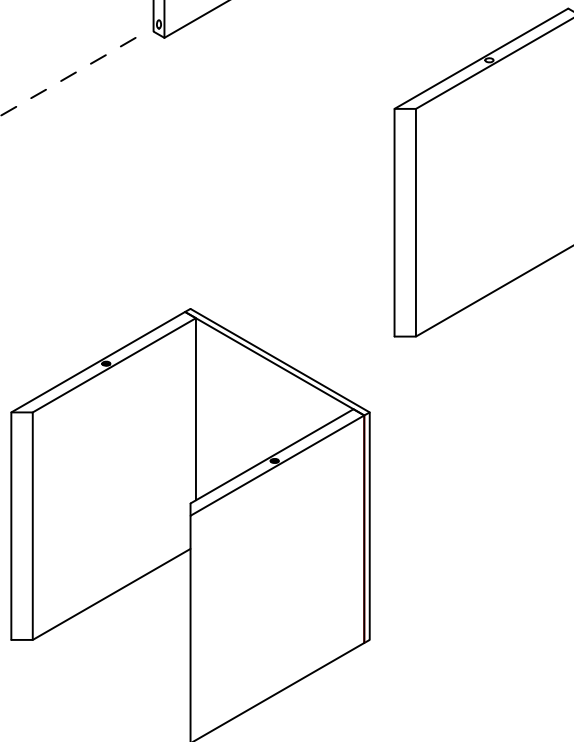
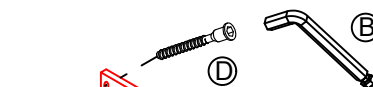
# Step 1



Attach D to divider panel

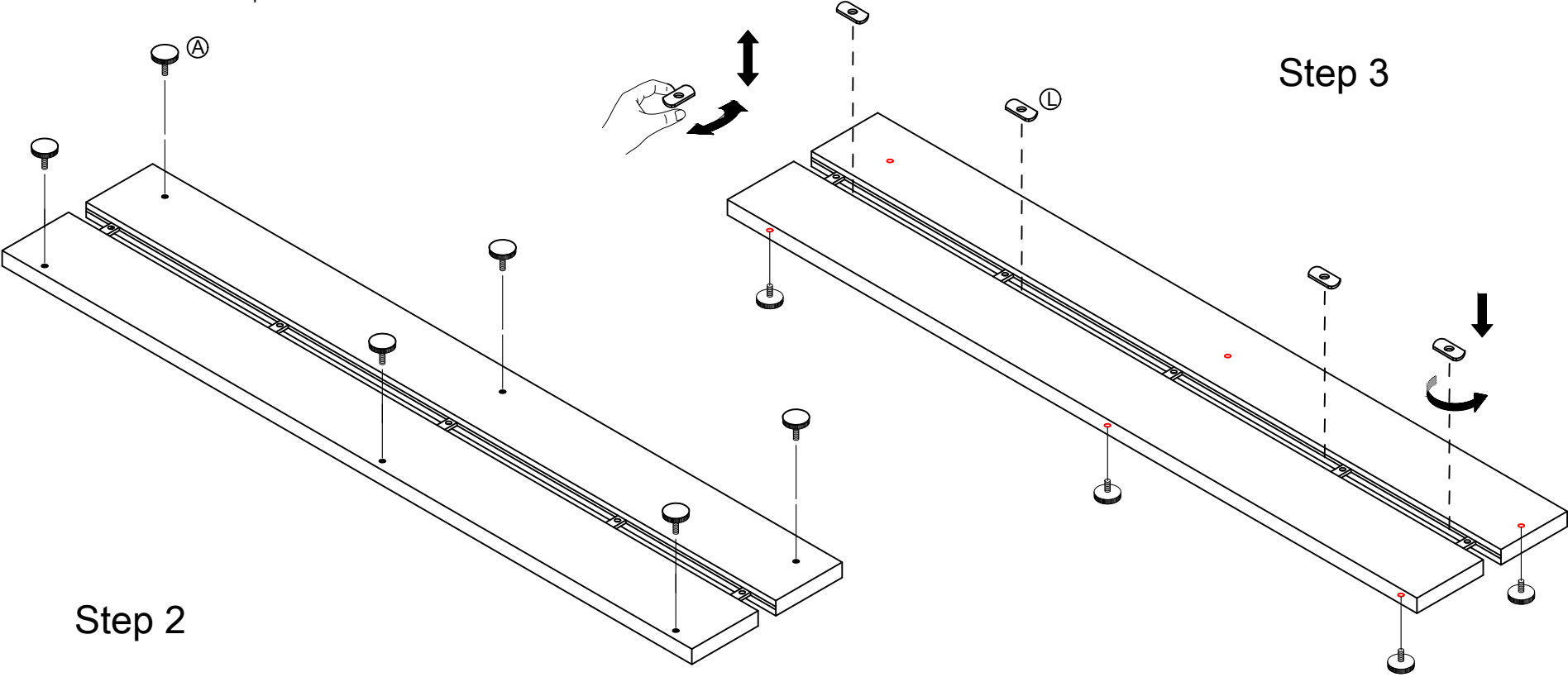


Attach D to divider panel



Put the L metal slat inside bottom panel gap, and turn it as 90 degree

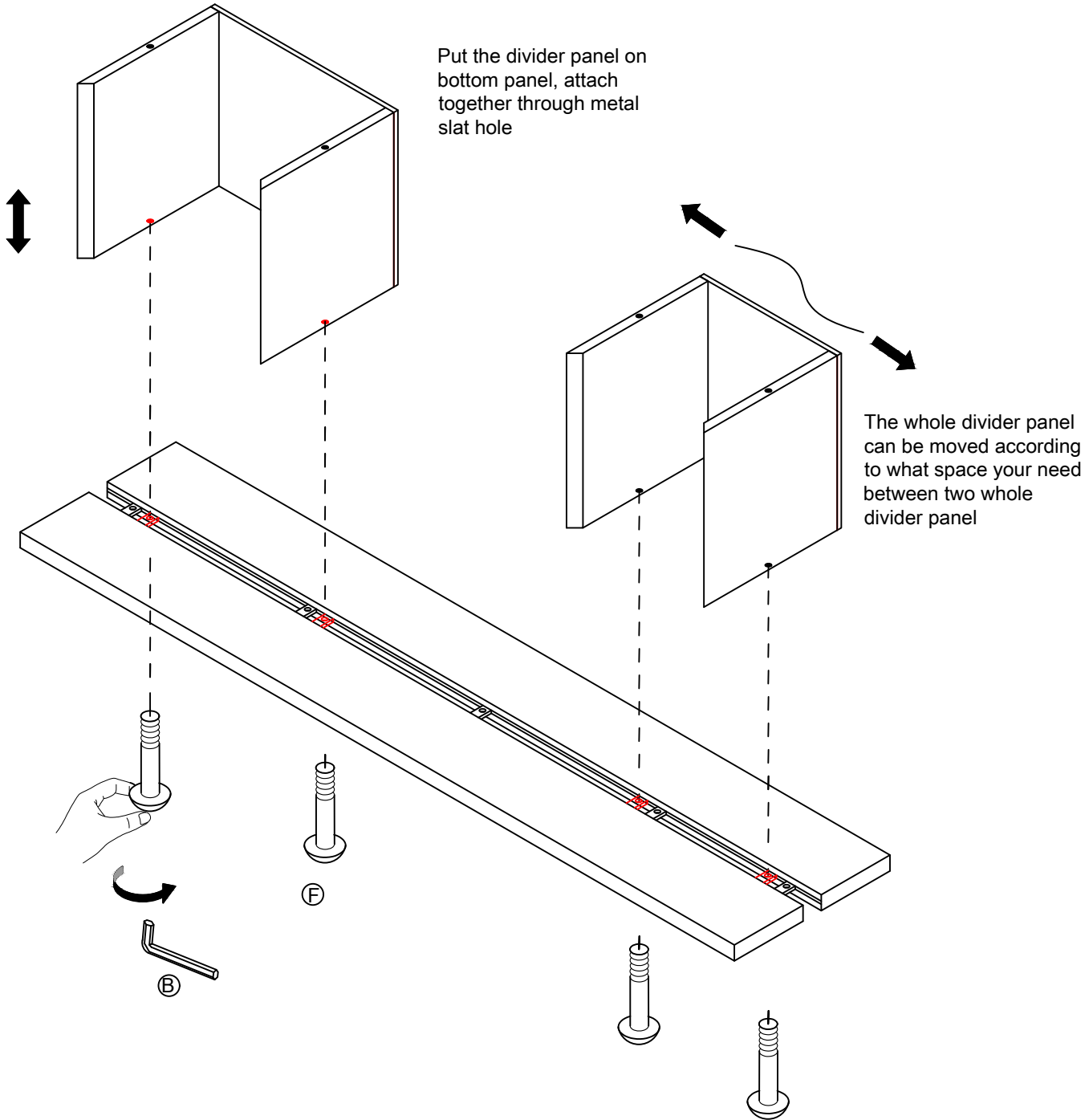
Attach A to bottom panel

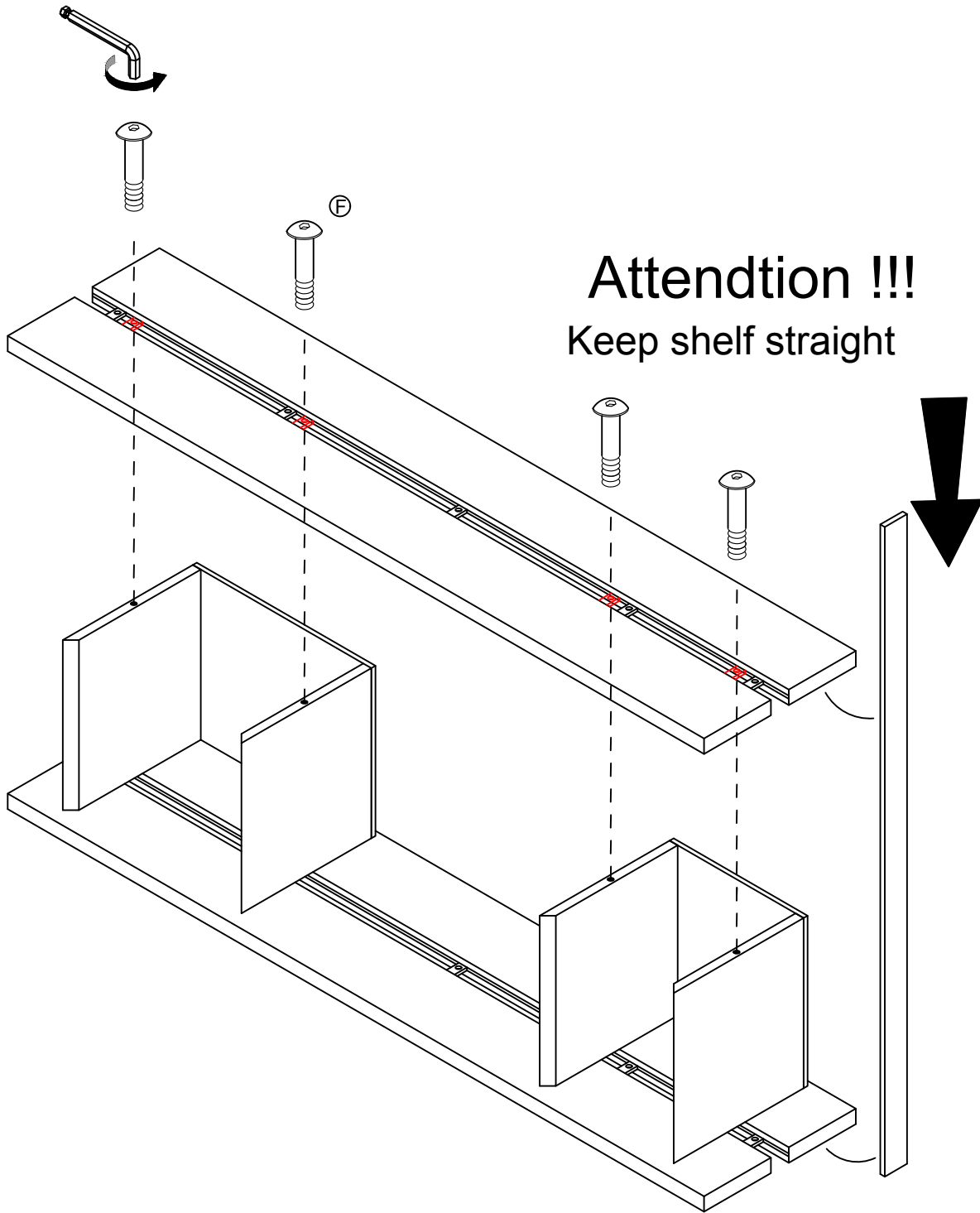


Step 2

Step 3

# Step 4



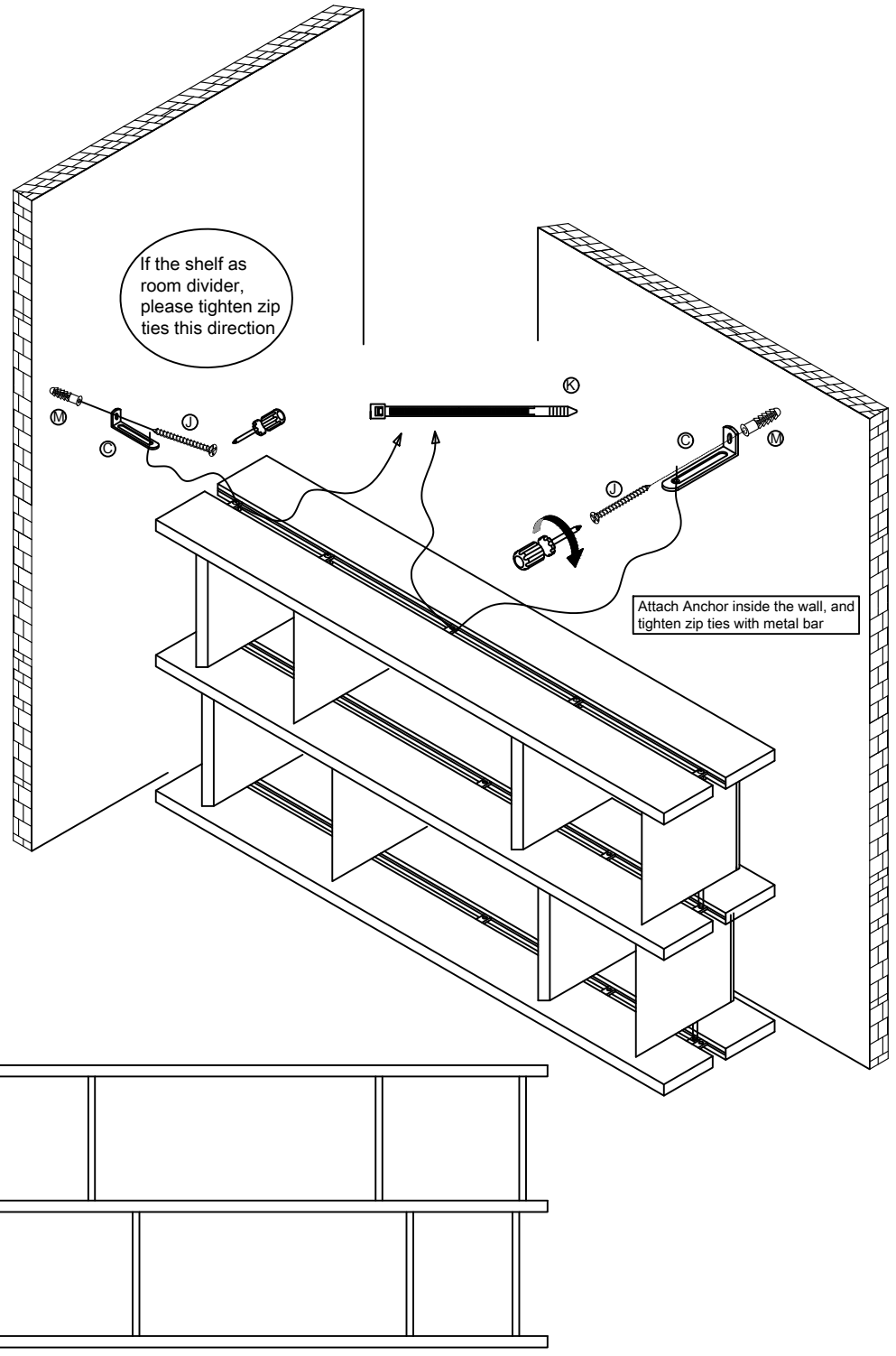
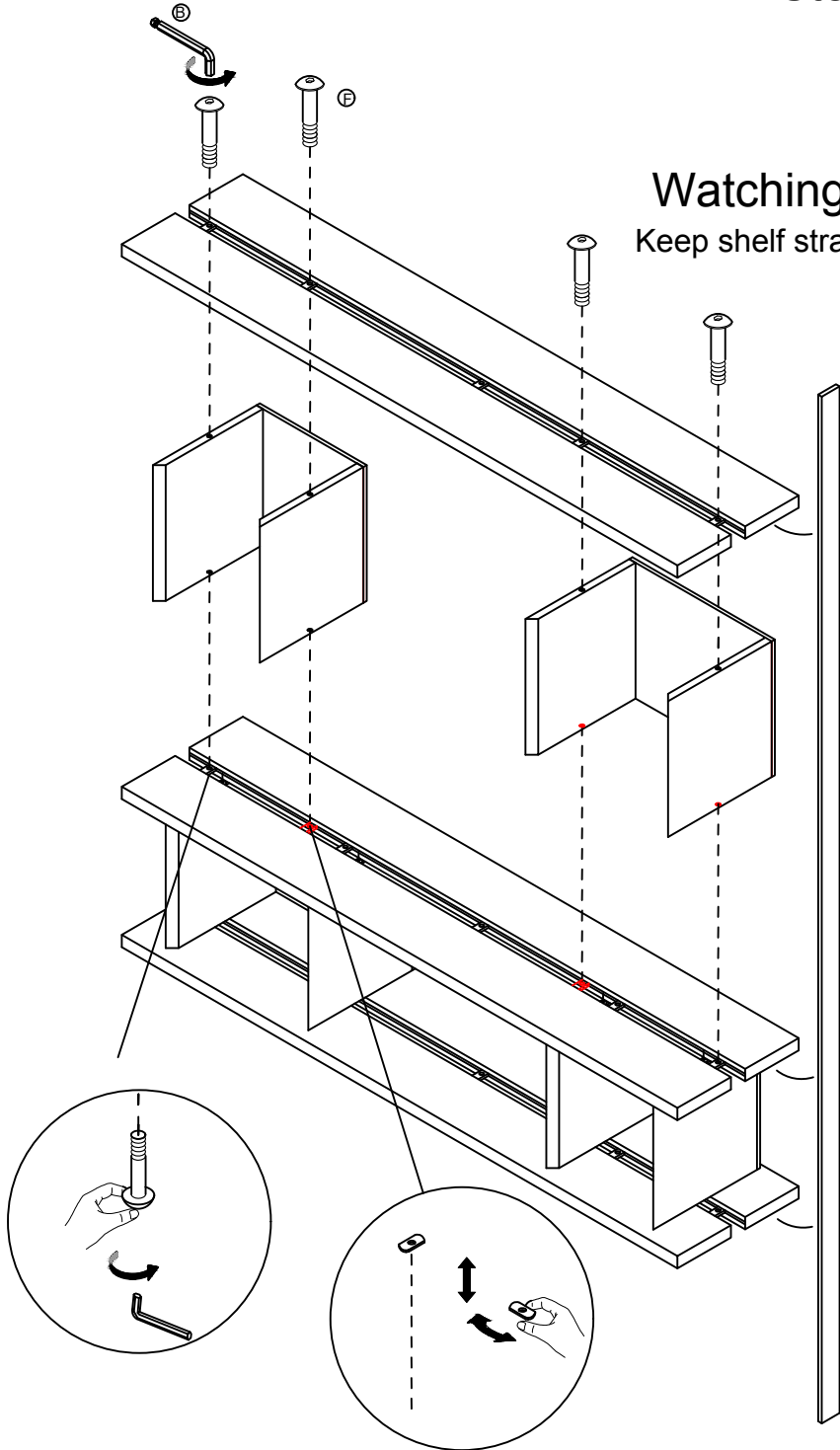


Step 5

**Attention !!!**  
Keep shelf straight

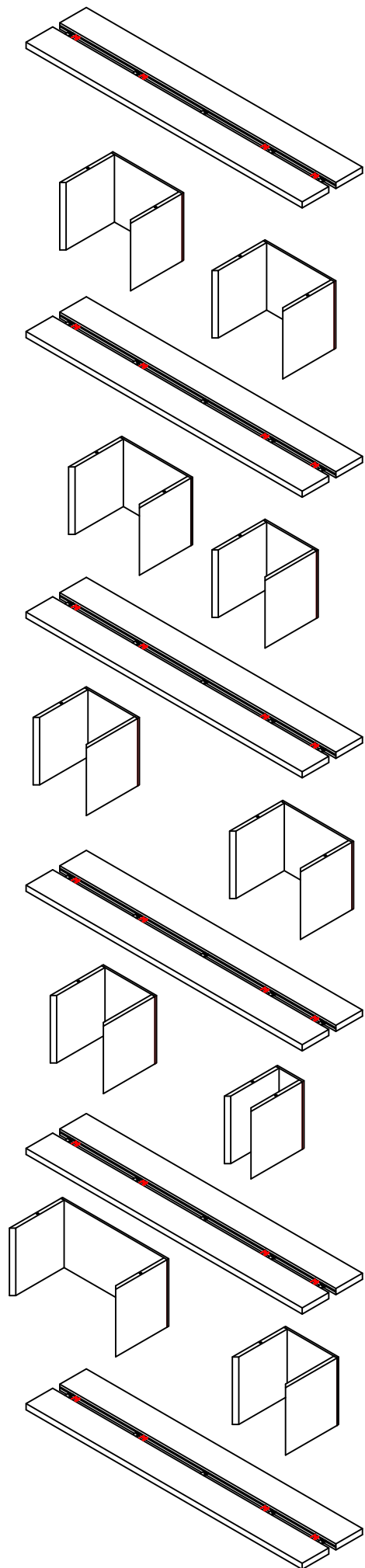
# Step 6

Watching !!!  
Keep shelf straight

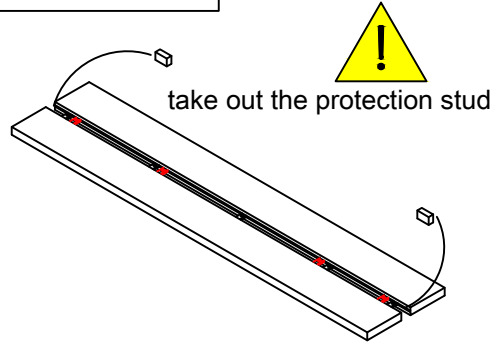


If the shelf as room divider, please tighten zip ties this direction

Attach Anchor inside the wall, and tighten zip ties with metal bar



Please repeat steps of 4,5 till be finished the whole assembling



For every tiers, the whole cubby can be moved according to what space your need between cubbies

