

Assembly Instructions



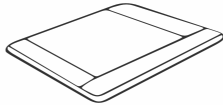



Your accent chair comes packaged in one box. Carefully remove all of components from the packaging and set aside for assembly.

CAUTION:




DO NOT use any sharp objects to open plastic wrapped components as damage to product or components may result.

Package Contents

PARTS LIST

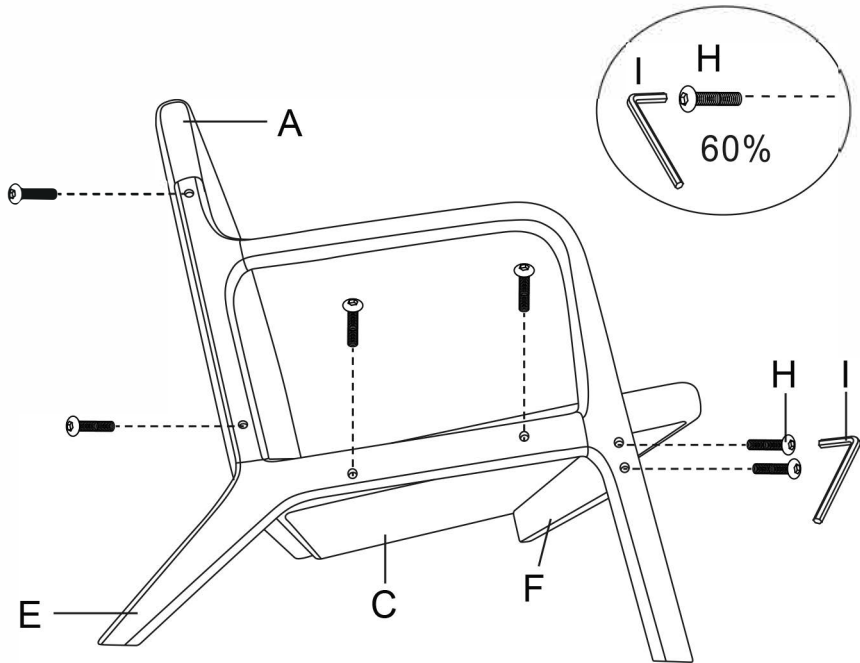
LABEL	PICTURE	DESCRIPTION	QTY
A		Back Frame	1PC
B		Back Cushion	1PC
C		Seat Frame	1PC
D		Seat Cushion	1PC
E		Lges&Arms	2PCS
F		Spacer	1PC



HARDWARE

LABEL	PICTURE	DESCRIPTION	QTY
G		foot pads	4PCS
H		Screw	12PCS+1PC
I		Wrench	1PC

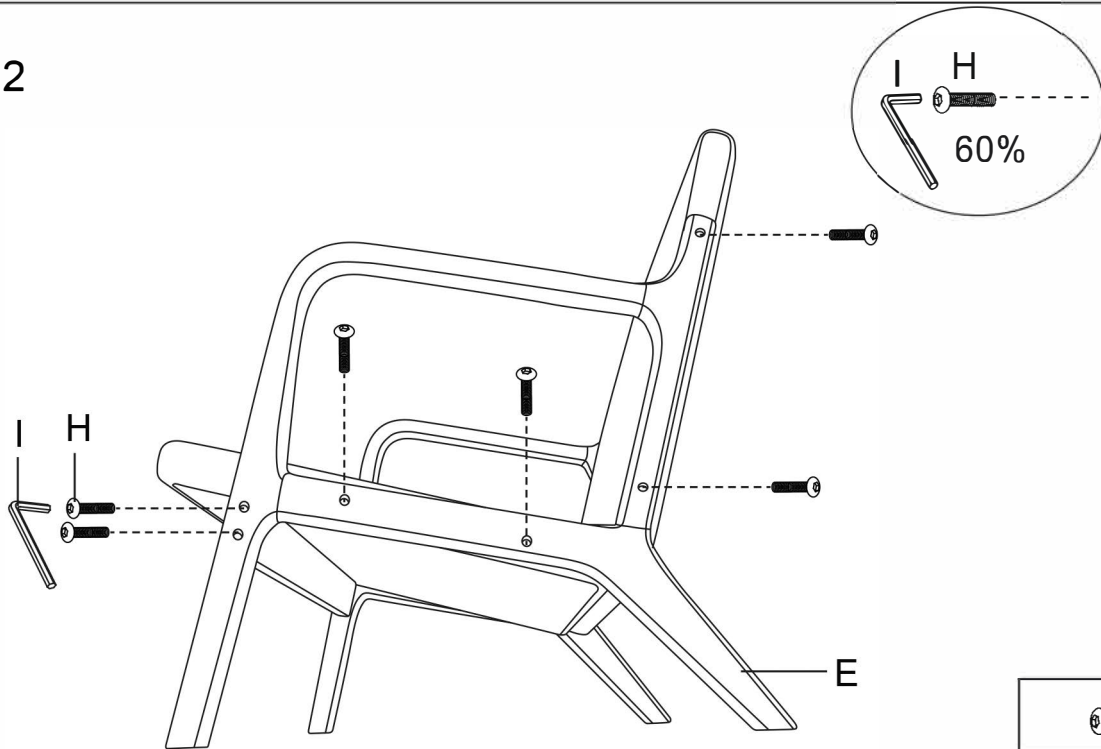
ASSEMBLY STEPS



STEP 1



	H*6
	I*1

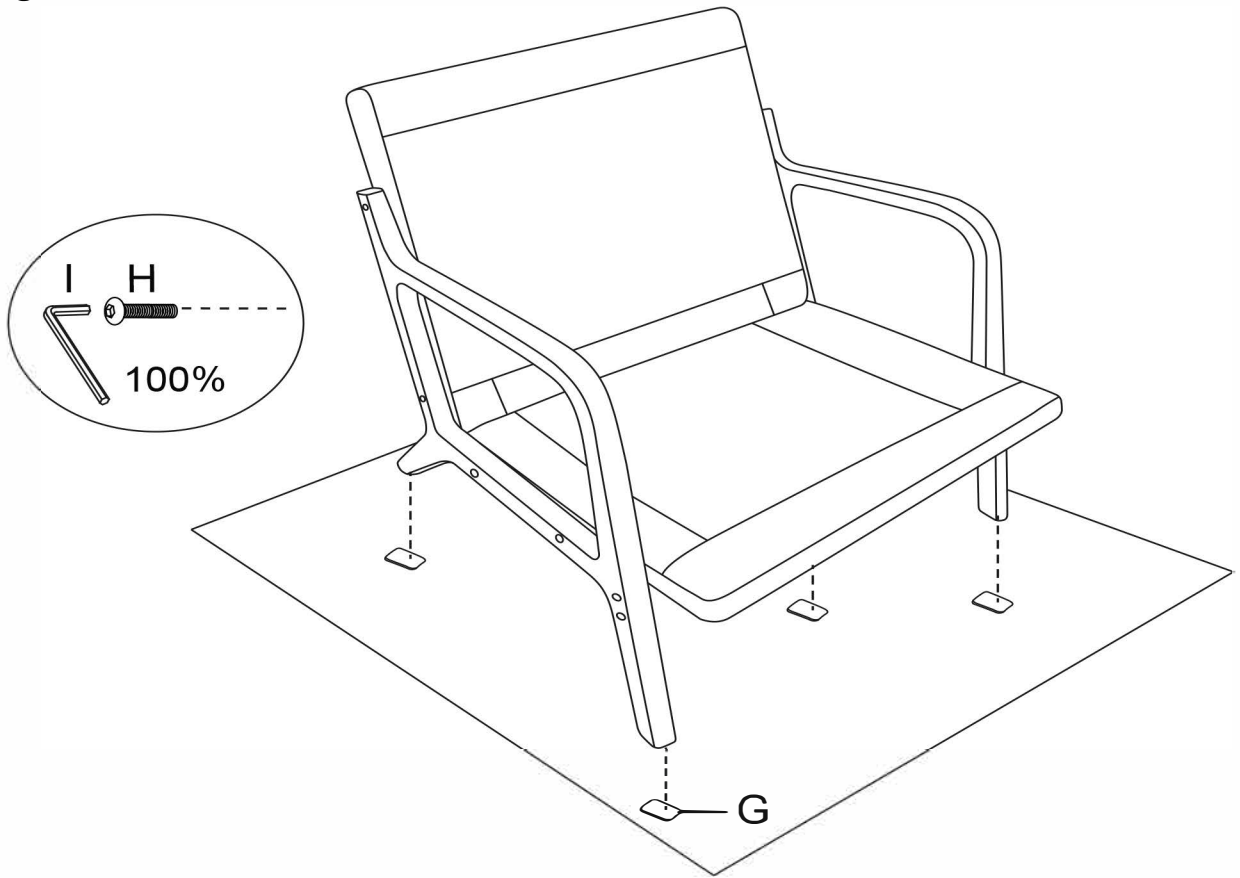
STEP 2



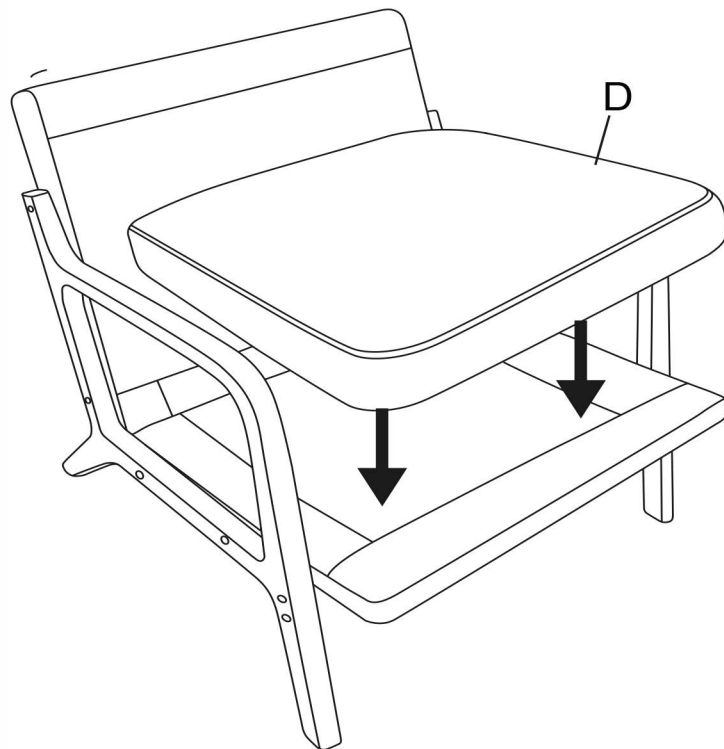
	H*6
	I*1

ASSEMBLY STEPS

STEP 3

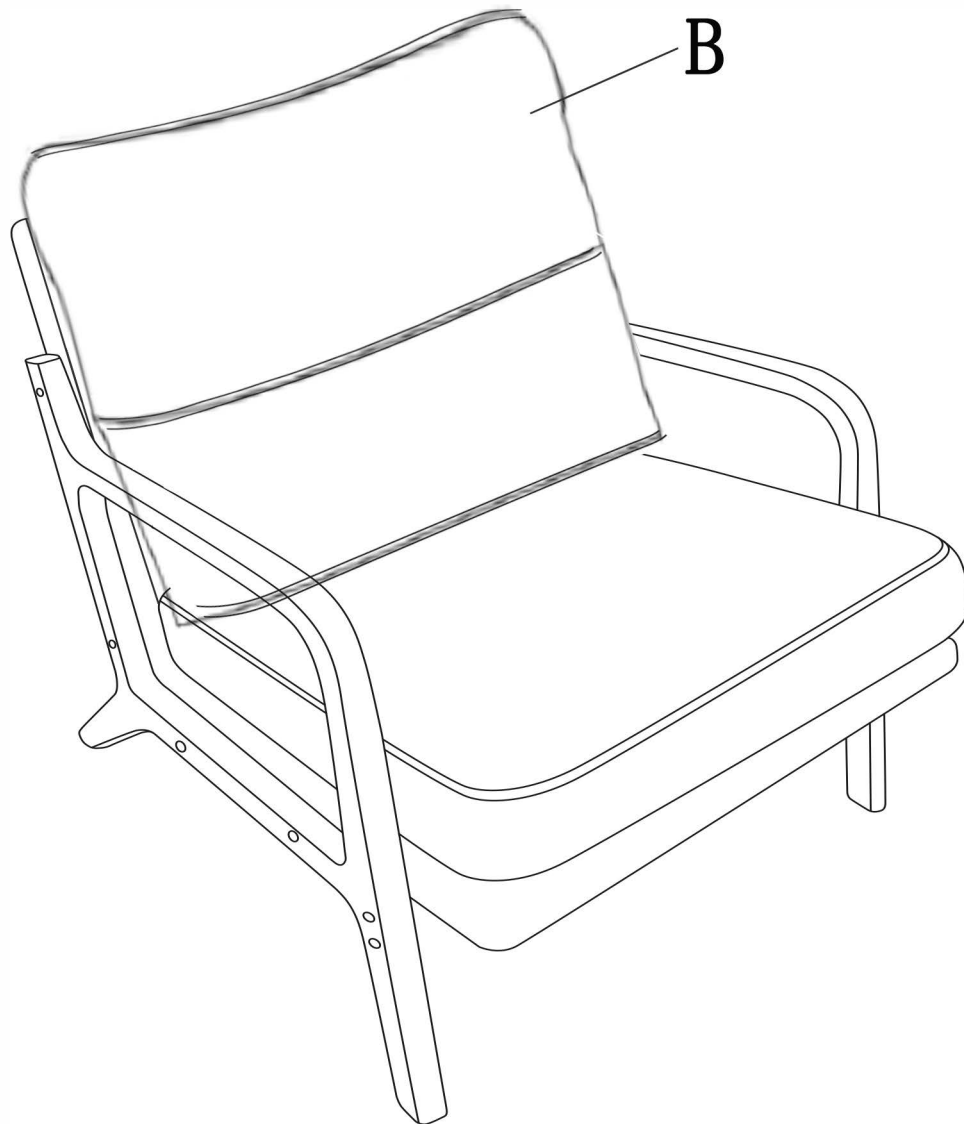


STEP 4



ASSEMBLY STEPS

STEP 5



ATTENTION!!

Bolts may loosen during normal everyday use. They should be periodically inspected and re-tightened to prevent damage or injury. Always check to ensure that all hardware is kept tightened.

Warnings

1. Please check if the components of the chair are all included and can be used normally.
2. Assemble all components according to the instruction correctly before you connect the chair to the power.
3. Please **DO NOT** sit on the armrests or footrest to eliminate the risk of tipping over.
4. If the chair is damaged or doesn't match the website description, please send clear pictures of the product and label of the carton to our service team for further help.
5. If the chair doesn't work, you may try the following measures for self-checking firstly:
 - a) Check if all the cables are connected;
 - b) Check if the light of transformer is on.If the chair still doesn't work, please feed the information back to our customer service in time and we'll help you solve the matter as soon as possible.
6. If you have any questions with the product, please contact us.

