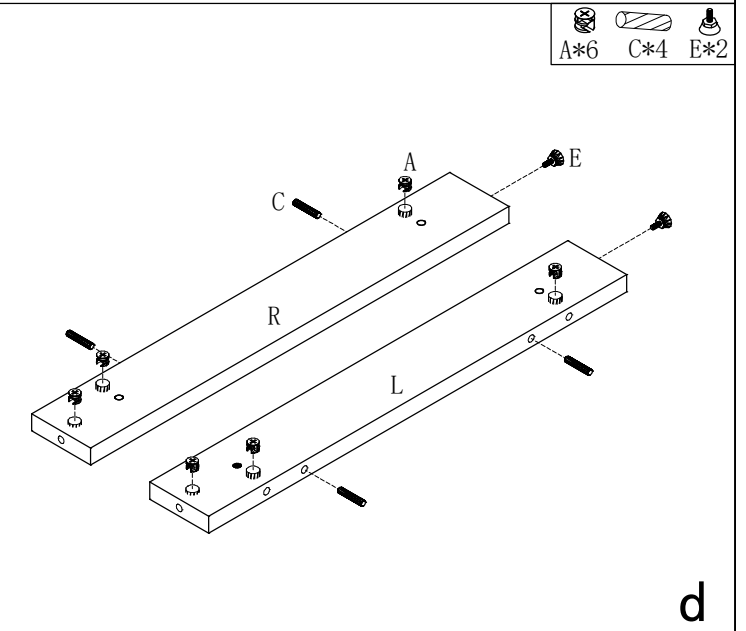
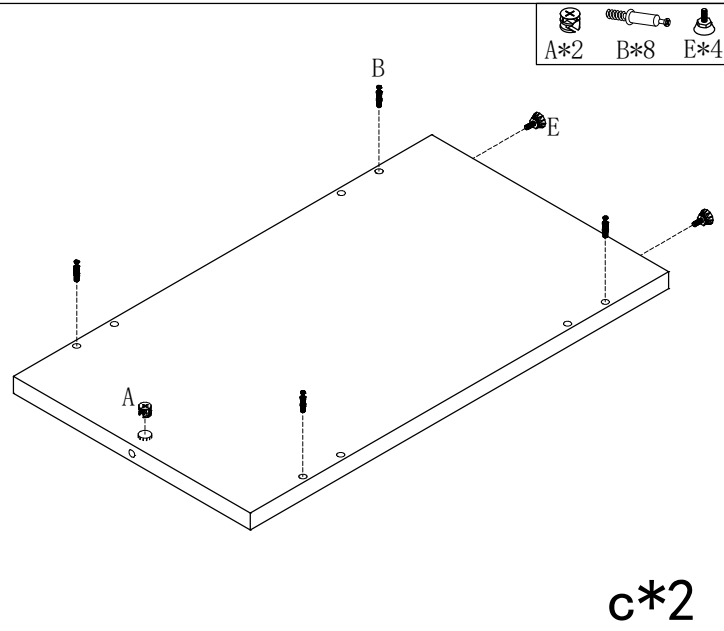
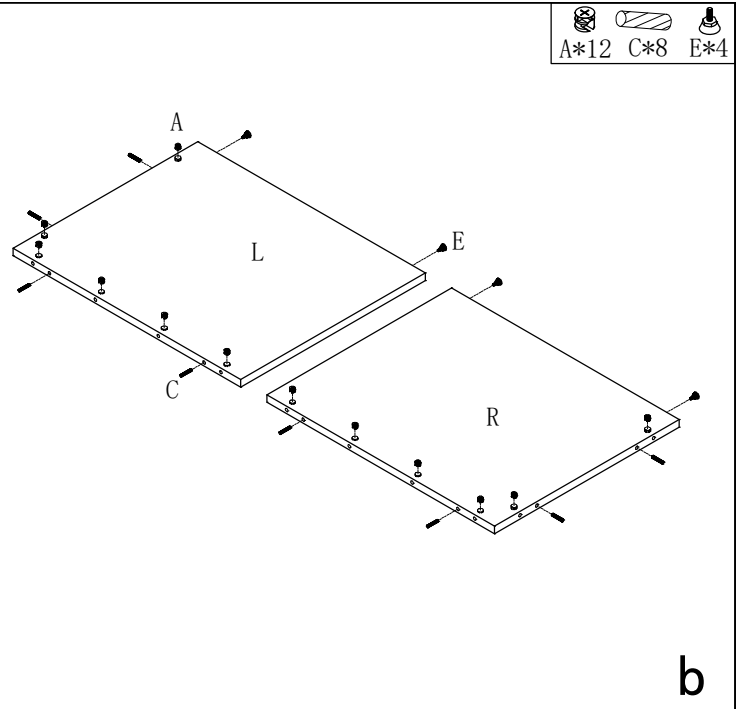
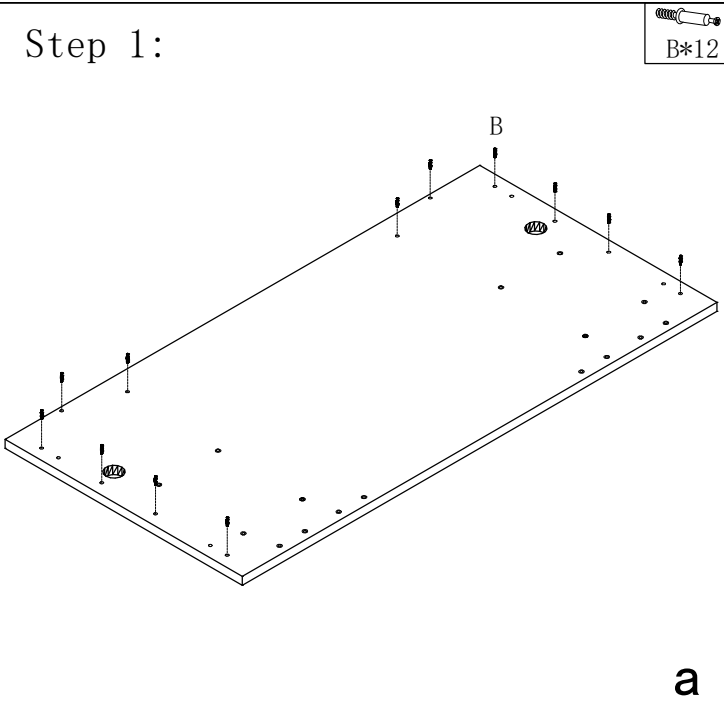
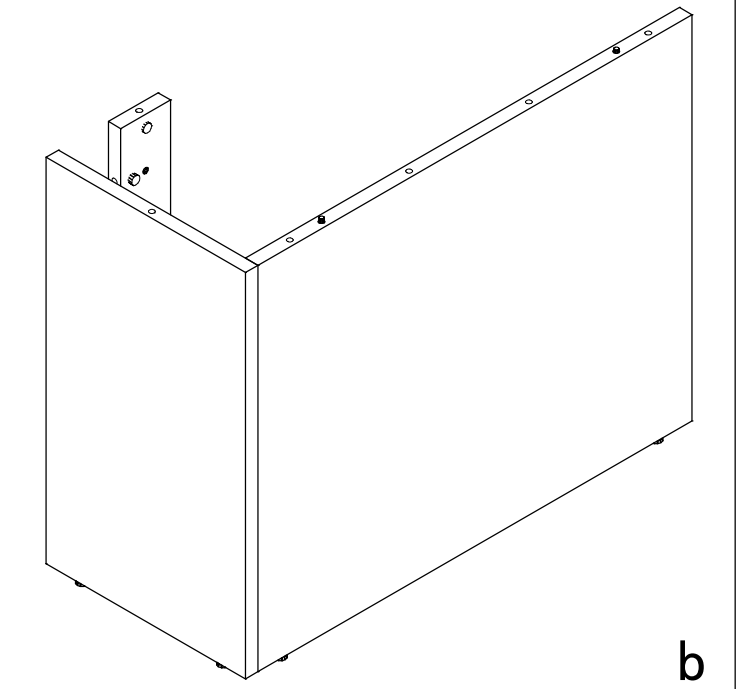
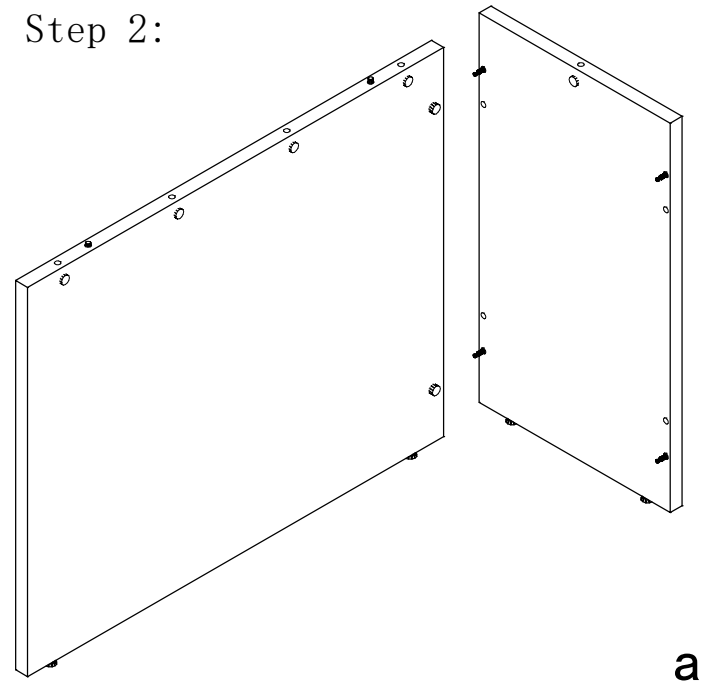
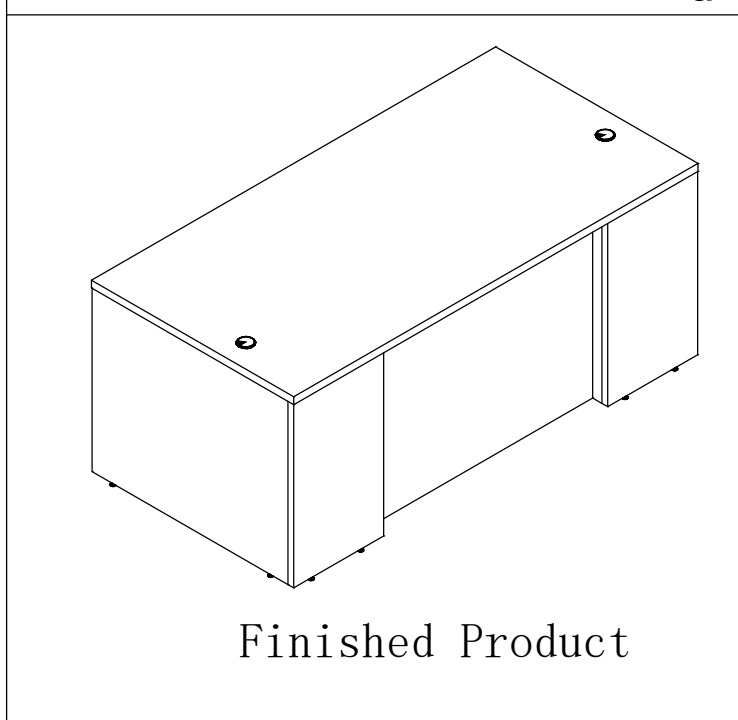
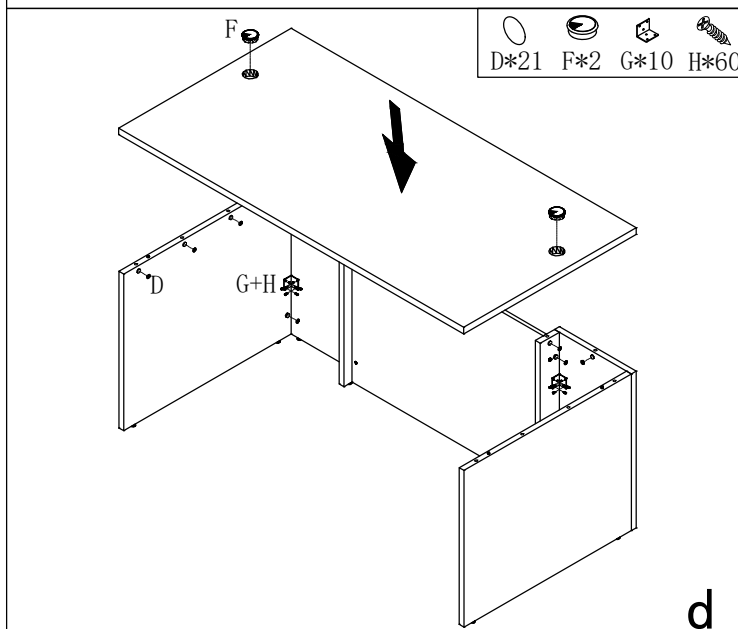
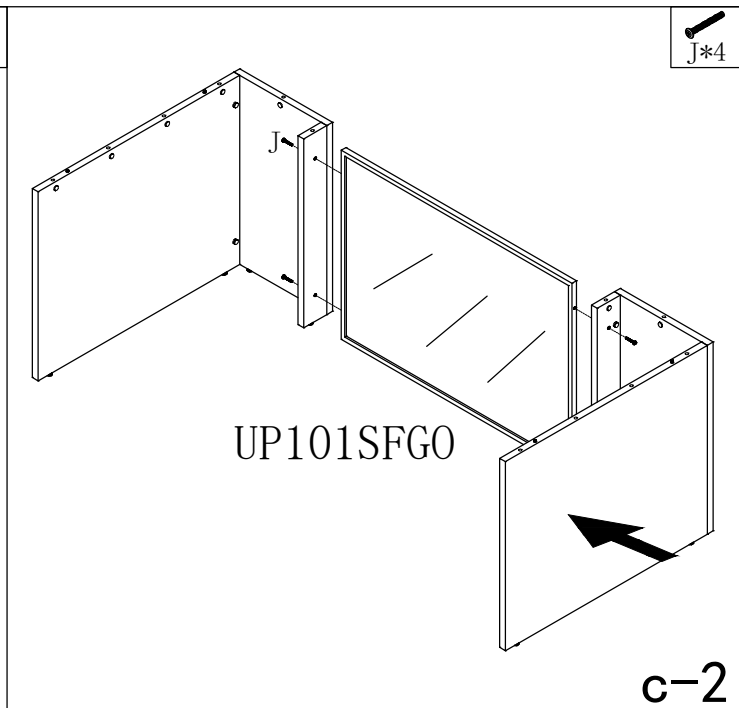
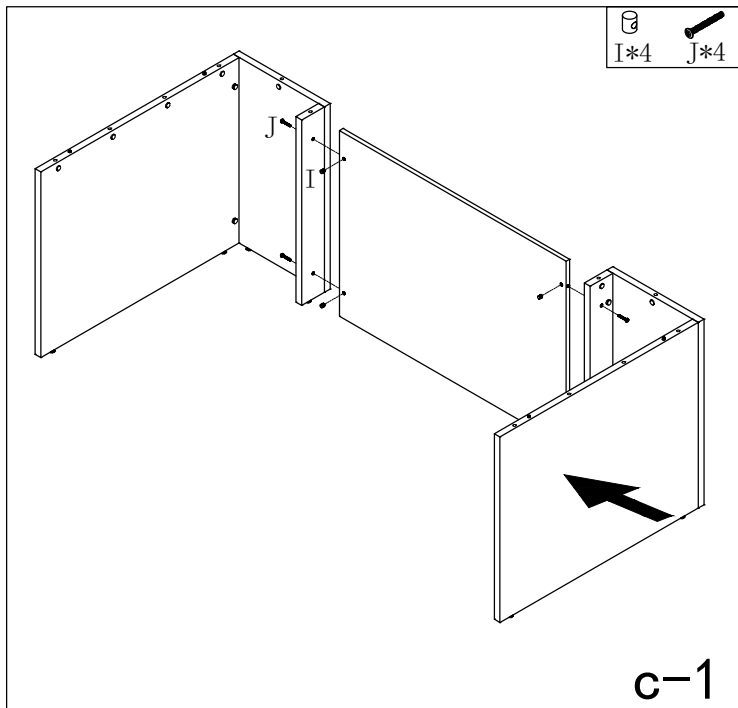


Step 1:



Step 2:

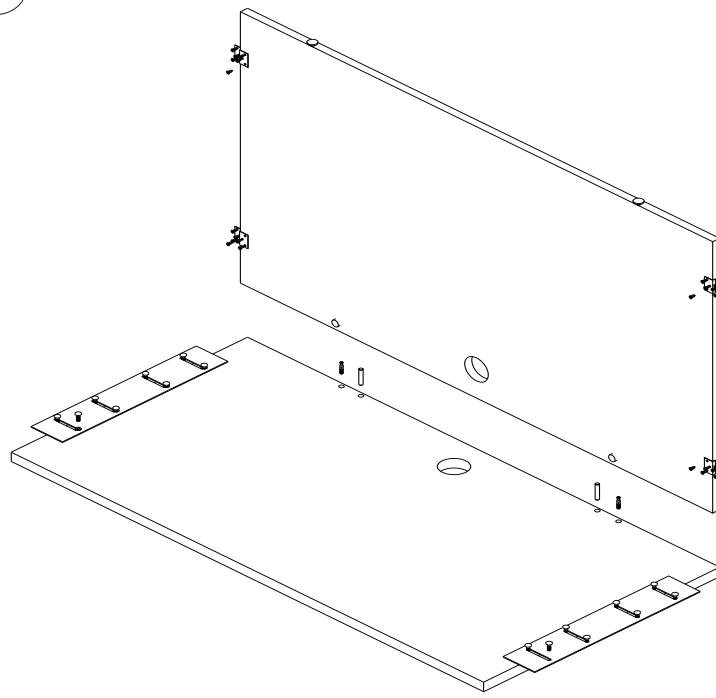
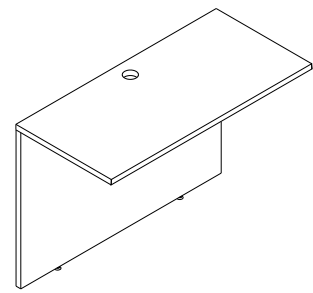
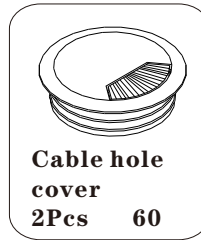
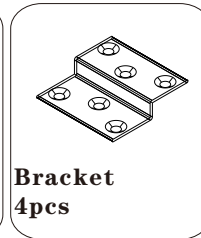
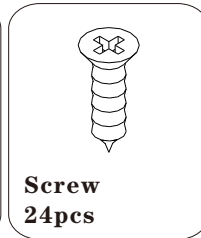
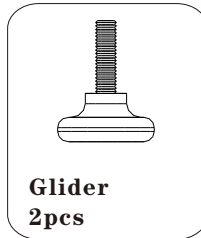
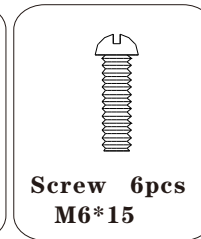
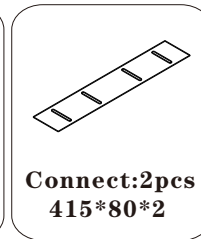
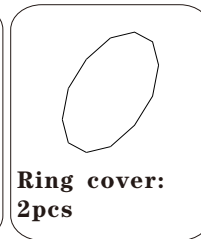
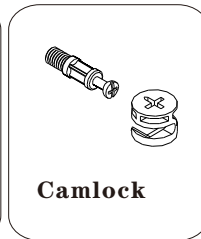
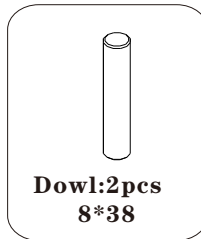




Hardware

NO.	Sample.pc	Name	QTY
A		Cam	21
B		Connector	21
C		Dowel	12
D		Ring MeiTie	21
E		Glider	10
F		Grommet	2
G		Screw	60
H		Bracket	10
I		Nut	4
J		Screw	4

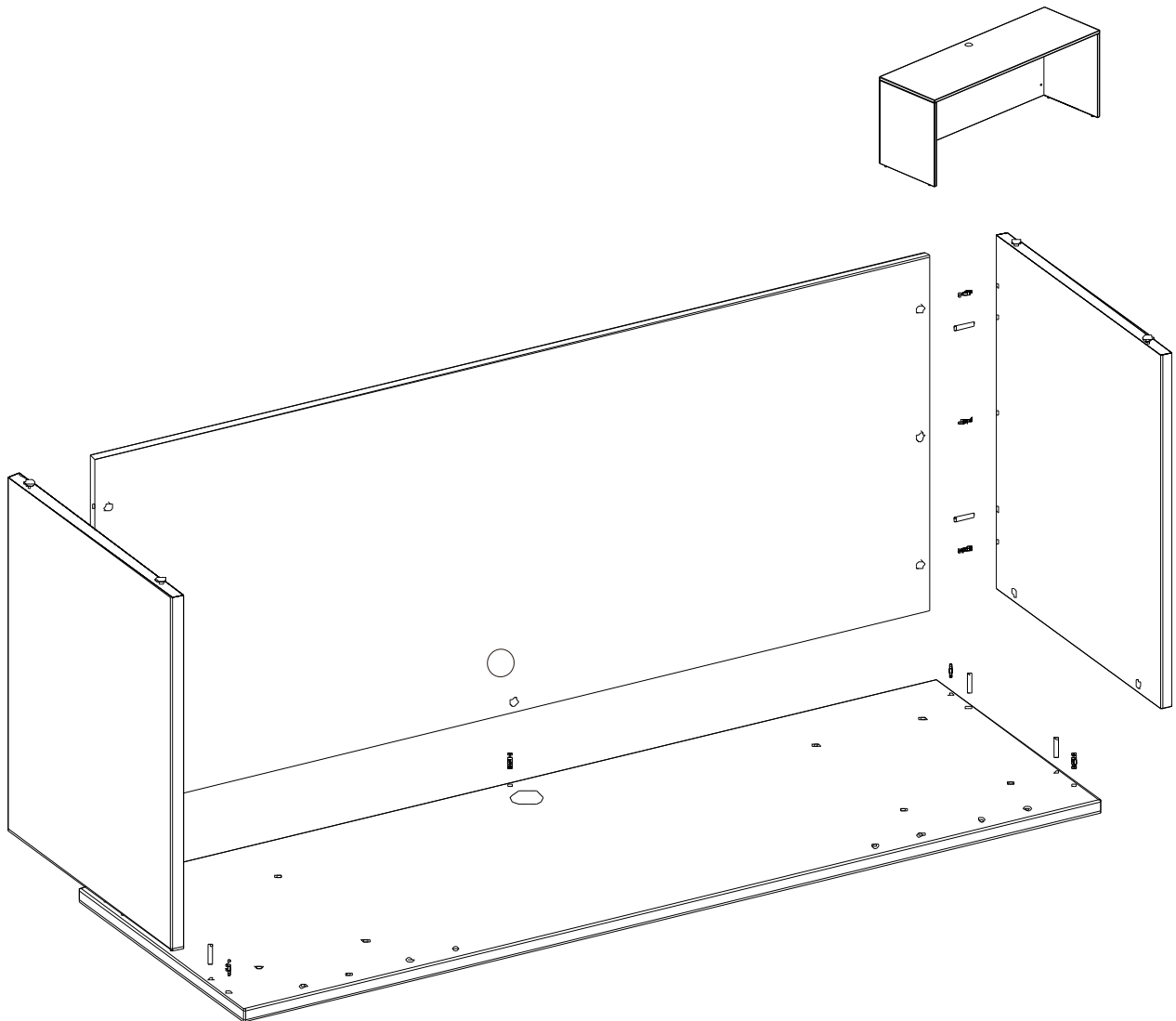
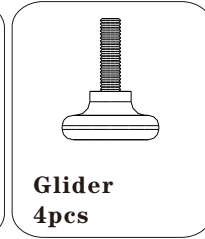
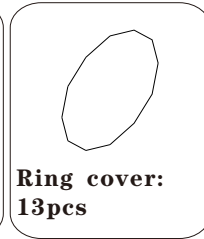
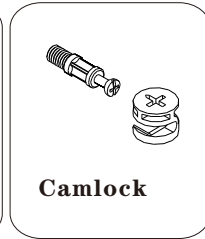
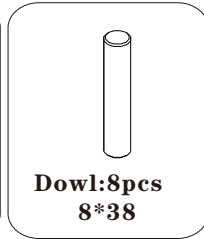
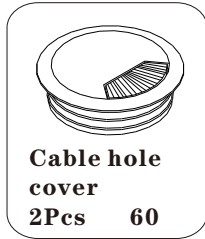
Please follow these instruction for easy assembly.



IMPORTANT!!

- ! Place all wooden parts on a clean and smooth surface such as a rug or carpet to avoid the parts from being scratched.
- ! Check that you have all parts and hardware .
- ! Remove all wrapping materials,including staples & packing straps before you start to

Please follow these instruction for easy assembly.

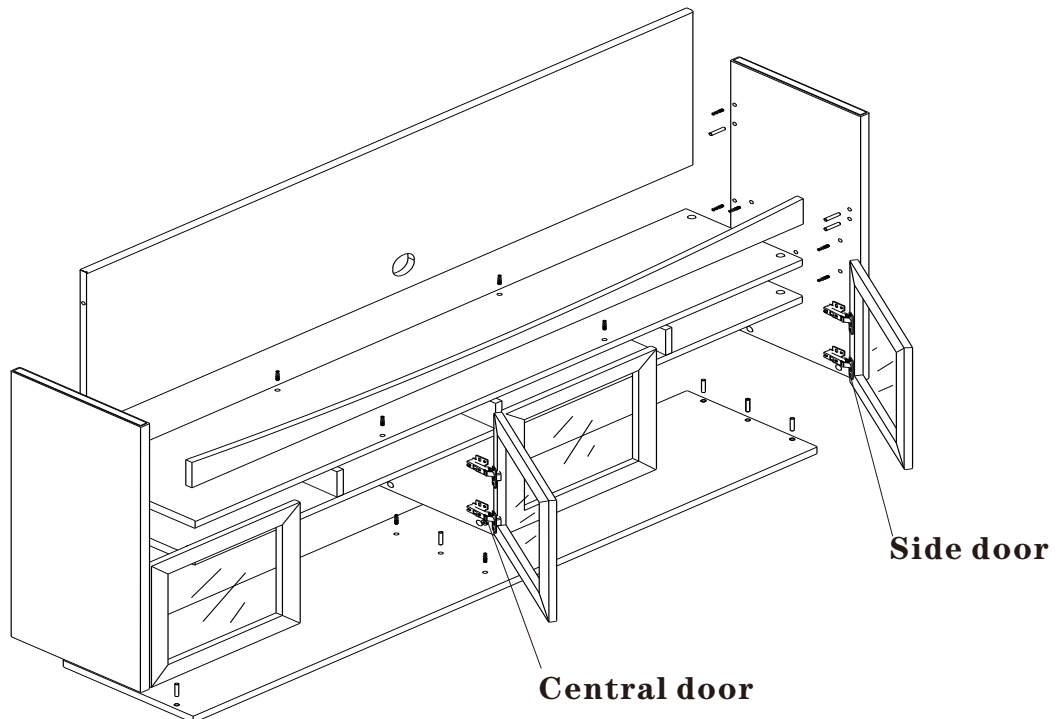
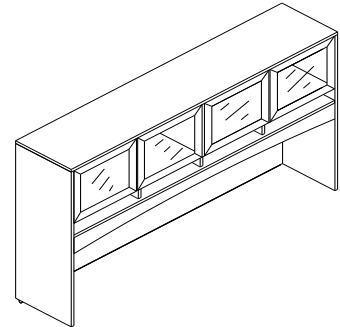
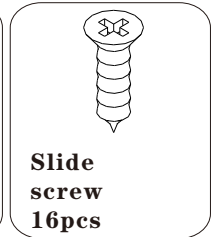
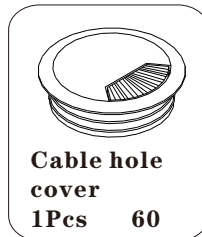
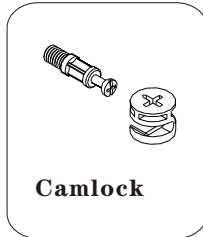
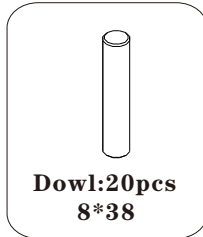


IMPORTANT!!

- ! Place all wooden parts on a clean and smooth surface such as a rug or carpet to avoid the parts from being scratched.
- ! Check that you have all parts and hardware .
- ! Remove all wrapping materials,including staples & packing straps before you start to

No. UP143

Please follow these instruction for easy assembly.



IMPORTANT!!

- ! Place all wooden parts on a clean and smooth surface such as a rug or carpet to avoid the parts from being scratched.
- ! Check that you have all parts and hardware .
- ! Remove all wrapping materials,including staples & packing straps before you start to assemble.