

MAS365INMNEV

MASTER SERIES INDUCTION RANGE 36" - 5 HEATING ZONES - ELECTRIC
OVEN - NERO MATT FINISH



Exclusive Finish and Materials

Italian style and craftsmanship inspire the exclusive matt color finish of this range. Metal knobs and handles make the range a standout in every kitchen. Stainless Toekick available as accessory. Optional Décor Sets knobs and handles in contrasting metals - satin gold and black nickel - for aesthetic customization.

Bertazzoni signature counter-deep maintop

Bertazzoni signature stainless counter-deep maintop is designed to install flush with most kitchen countertops for a perfectly integrated look. Precise and flexible heating is provided by 5 latest generation extra-large induction zones with bridging of right-side zones. Complete the range with the optional cast-iron griddle.

Extra large oven with dual convection

5.9 cu.ft electric oven with dual horizontal convection fans for even baking and roasting on 7 shelf levels. Bertazzoni ovens are equipped with an extra-large high-power broiler for broiling and grilling.

Advanced programming and controls for the oven

The elegant temperature gauge for control of oven temperature during pre-heating and baking is a signature of every Bertazzoni range.

Best-in-class features and design

The soft-motion oven door with edge-to-edge tempered glass is a masterpiece of European engineering and makes the oven door very easy to wipe clean. The stainless steel racks included with the range can be equipped with optional telescopic glides.

GENERAL CHARACTERISTICS

Worktop	5 induction zones
Front right	2100W (3700W booster)
Front left	1400W (2200W booster)
Center	2300W (3700W booster)
Back left	2300W (3700W booster)
Back right	2100W (3700W booster)
Knobs	Metal
Cooking modes	9
Tray	1 baking tray with grill trivet
Shelves	2 standard with handle
Levels	Laterals grids
Inner door	Squared 3 glasses
Door hinges	Soft motion
Legs	ø 3/8 inches stainless steel

TECHNICAL SPECIFICATIONS

Electrical requirements	120/208 V 60HZ - 14000W 120/240 V 60HZ - 14800W I 15 A 100 V 15 A 208 V 15 A
Warranty	2 years parts & labor
Packaging dimensions	H:42 1/8 W:40 9/16 D:29 15/16

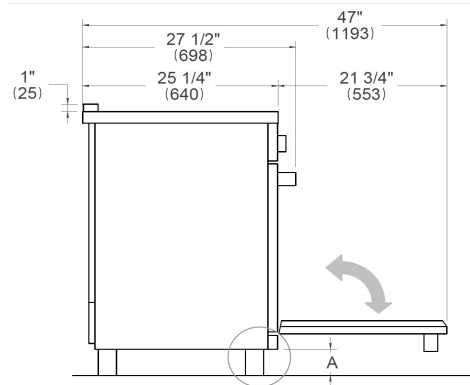
MAS365INMNEV

MASTER SERIES INDUCTION RANGE 36" - 5 HEATING ZONES - ELECTRIC OVEN - NERO MATT FINISH

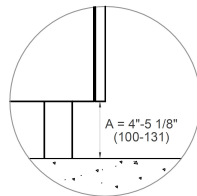


DIMENSIONS

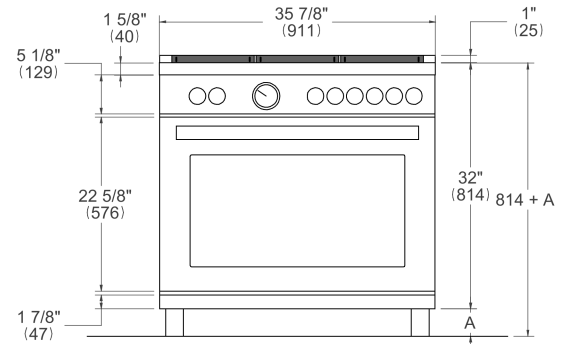
SIDE VIEW



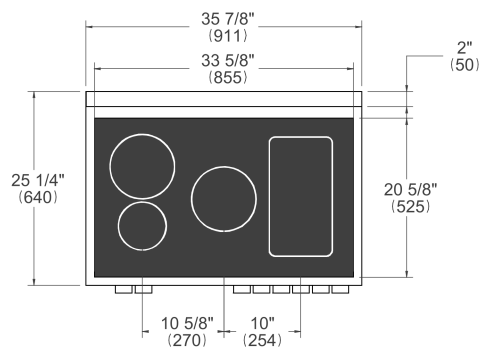
LEG DETAILS



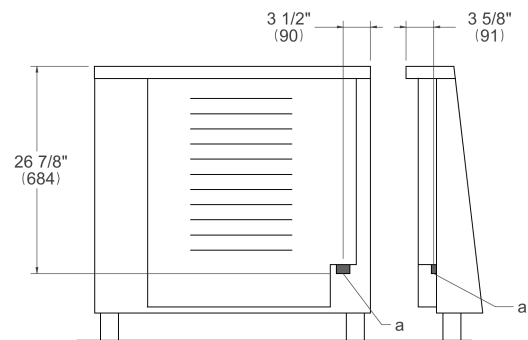
FRONT VIEW



WORKTOP DETAILS

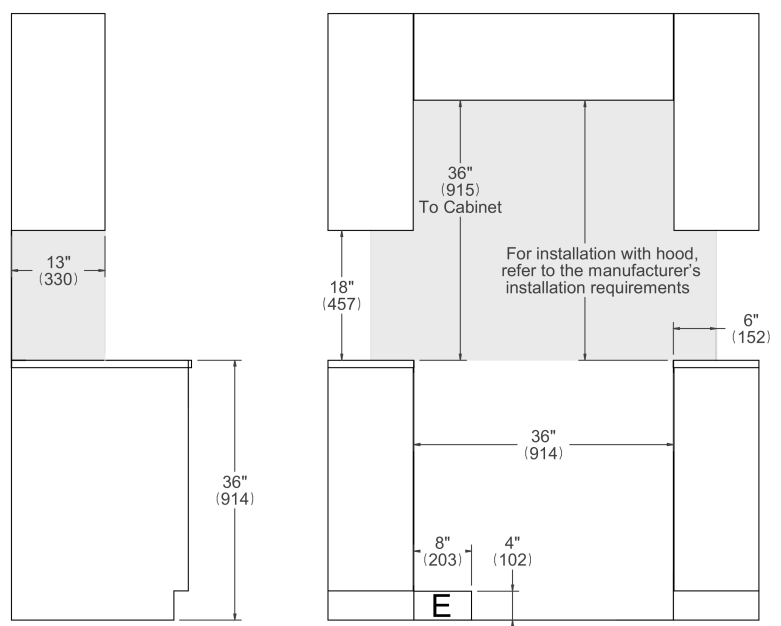


REAR VIEW



INSTALLATION

E A properly-grounded horizontally mounted electrical receptacle should be installed no higher than 3" (7.6 cm) above the floor, no less than 2" (5 cm) and no more than 8" (20,3 cm) from the left side (facing product). Check all local code requirements.



NOTE

- a. Electrical Connection
- b. Gas Connection

Disclaimer: while every effort has been made to insure the accuracy of the information contained in this document, Fratelli Bertazzoni reserves the right to change any part of the information at any time without notice. For detailed installation specifications consult the installation manual. Fratelli Bertazzoni, Bertazzoni and the winged wheel brand icon are registered trademarks of Bertazzoni Spa.