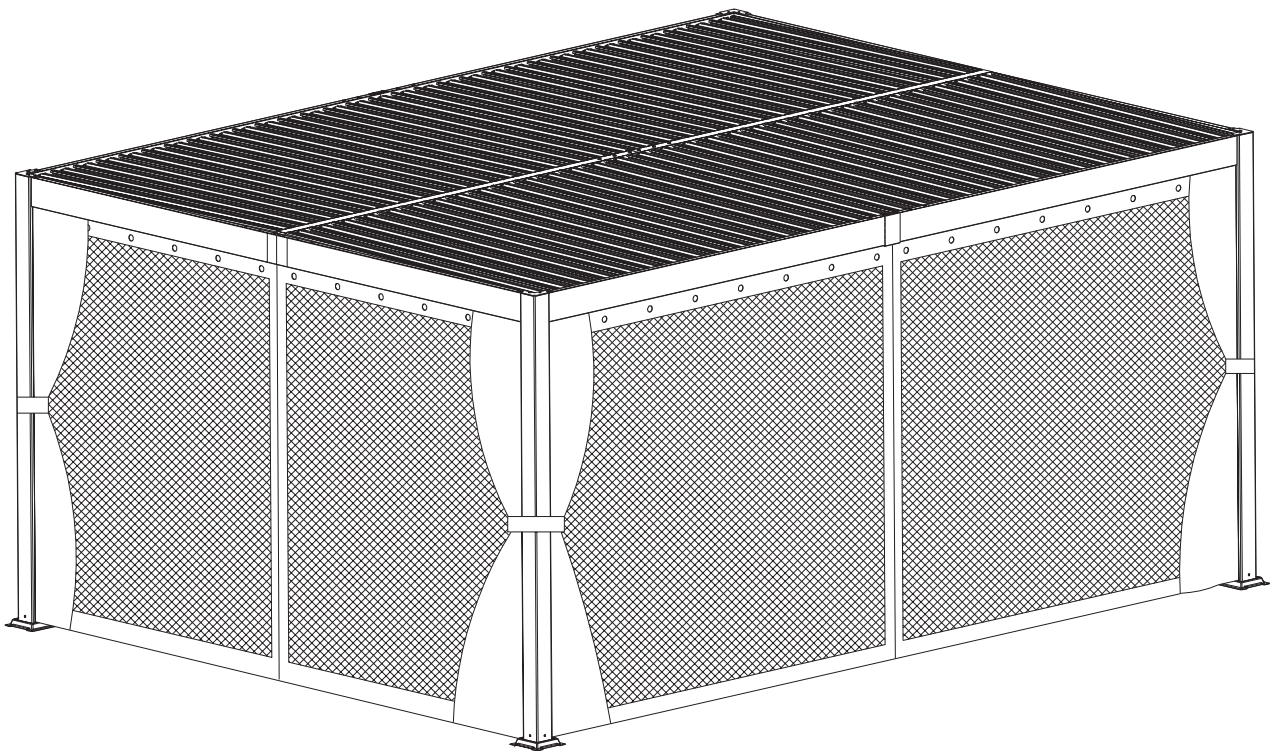


INSTALLATION INSTRUCTIONS

12x16 ft Pergolas



Our team is available 24/7 to help with any product questions. Contact us anytime!

Warning

- Please read and understand this manual carefully before assembly. Before starting to assemble the product, please ensure that all parts are present. Please check the parts against the packing list. If you find any missing parts, please contact us.
- Any assembly or maintenance work on this product must be performed by adults. We recommend that at least two adults be involved.
- Please check your state and local regulations before purchasing. Some areas may require a permit for the installation and use of this product. There may be specific procedures in your area.
- Please install the Pergola on a flat surface. Ground stakes are included with the product to secure the Pergola to the ground.
- Do not assemble the Pergola on sandy, muddy, or loose soil, as the ground stakes will not provide sufficient anchoring in these types of soil.
- If you wish to secure the Pergola to a wooden deck or concrete surface, please use anchor bolts suitable for these surfaces.
- Some parts may contain sharp edges. Protective gloves are recommended.
- Keep children and pets away while assembling the Pergola.
- Regularly check all nuts and bolts to ensure they are tightened.
- Before starting assembly, carefully read each step and ensure you understand each step.
- Please refer to the diagrams. Place all parts from the box in a clean area and lay them flat on the floor in front of you.
- Remove all packaging materials and place them back in the box. Do not discard the packaging materials until assembly is complete.

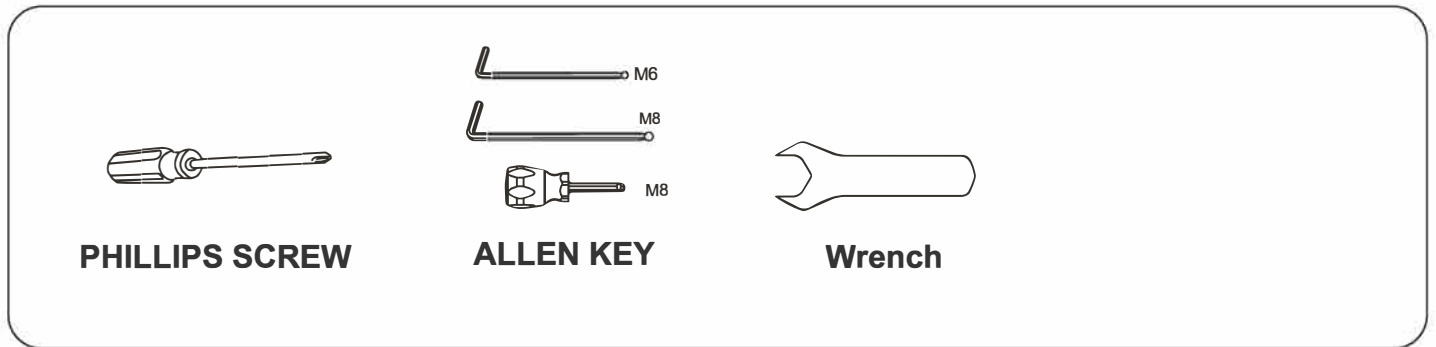
Maintenance

- Snow must be removed regularly during snowy weather. Remove snow when the snow accumulation on the roof exceeds 2 inches (5 cm). To avoid damage, use a plastic snow rake to remove excess snow and ice from the roof, and be careful to stay clear of falling debris.
- This Pergola is for decorative and shading purposes only and is not designed to withstand severe weather conditions, including strong winds, heavy rain, and heavy snow.
- The steel components of this Pergola are coated with rust-resistant paint. However, due to the inherent properties of steel, oxidation (rusting) may still occur on the surface if the protective coating is scratched. This is not a product defect and is therefore not covered under warranty.
- To minimize this occurrence, it is recommended to handle the product carefully during assembly and handling to avoid scratching the paint. If any scratches or damage occur, it is recommended to immediately repair the scratches with rust-resistant paint (not included).
- Do not use bleach, acid, or other abrasive cleaners on the roof or frame components.
- Please keep these instructions for future reference.

Pre-assembly

TOOLS THAT MAY BE REQUIRED (included in boxes)

***NOTE: Tools /equipment are not shown to actual size and scale.**



EQUIPMENT REQUIRED (Not included in boxes)

***NOTE: Equipment are not shown to actual size and scale.**



Matters needing attention



1. Two or more people are required for assembly.



2. Do not fully tighten screws prior to complete assembly.



3. Use a spirit level. Before proceeding, check that the device or component is perfectly level.



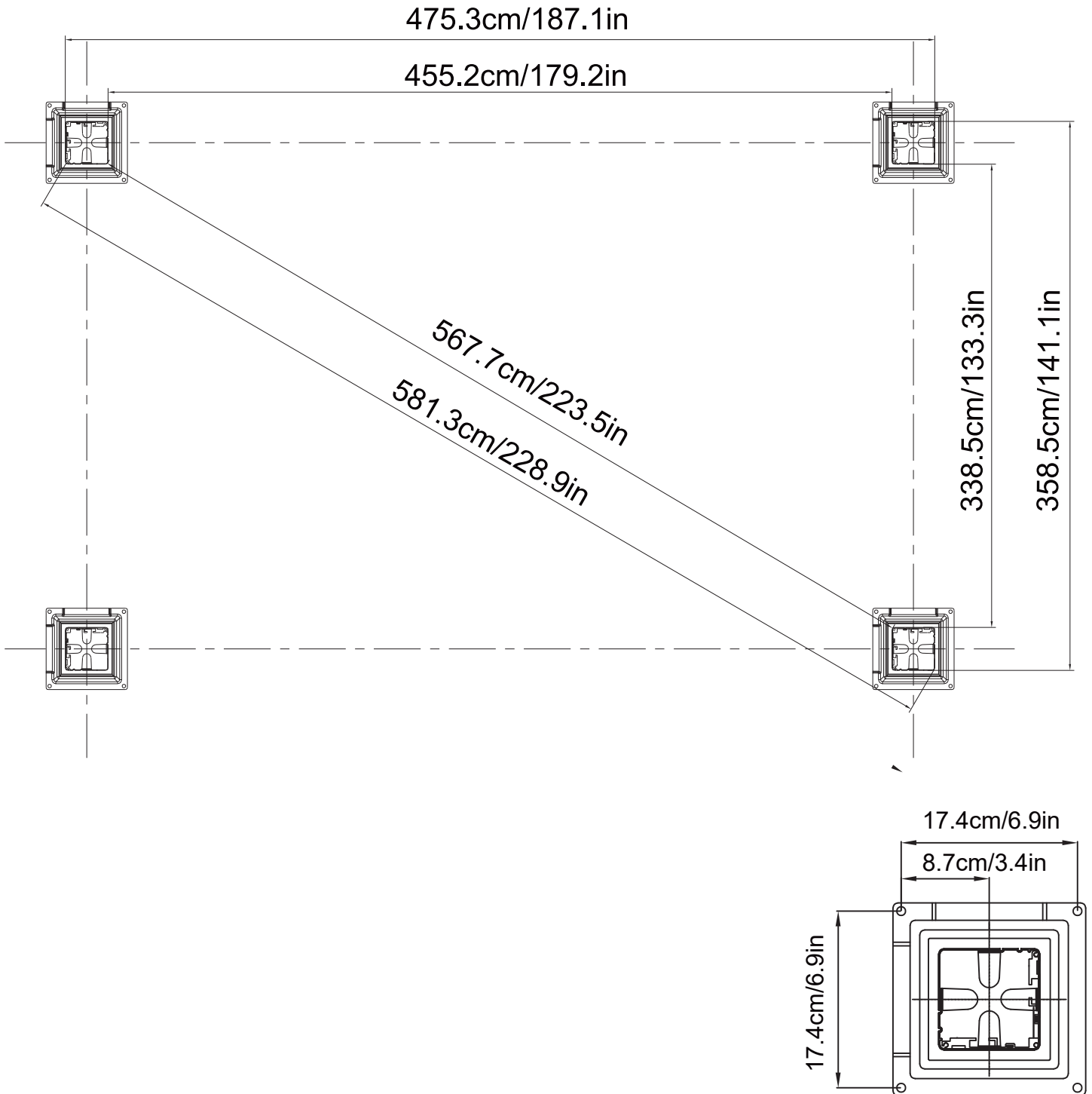
4. Use a square to check: Before tightening the bolts, check that the assembly is square.



5. Do not overtighten the mounting bolts. Overtightening can cause the wood to crack, splinter, and result in other structural damage.

INSTALLATION BLUEPRINT

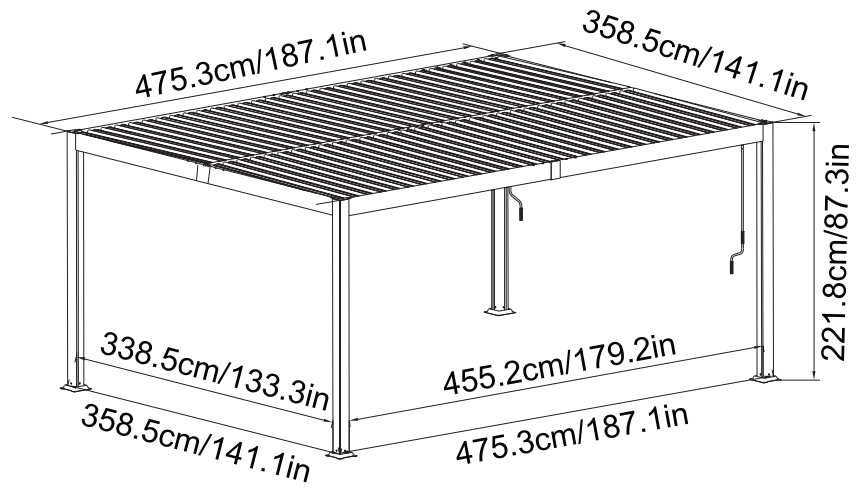
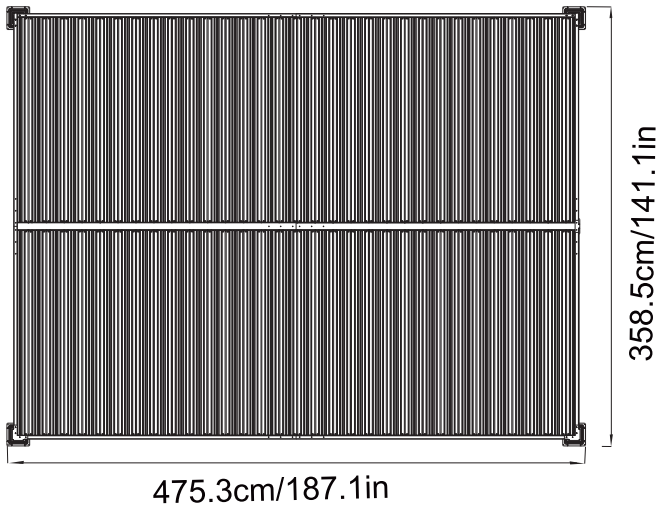
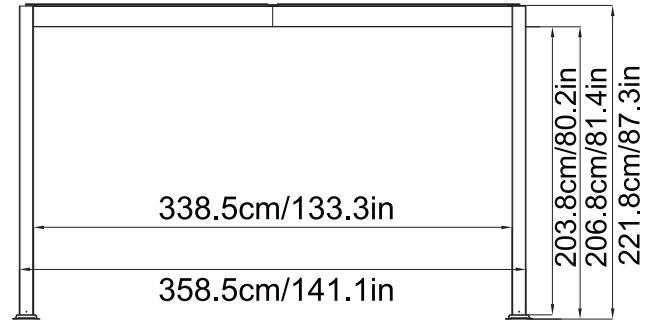
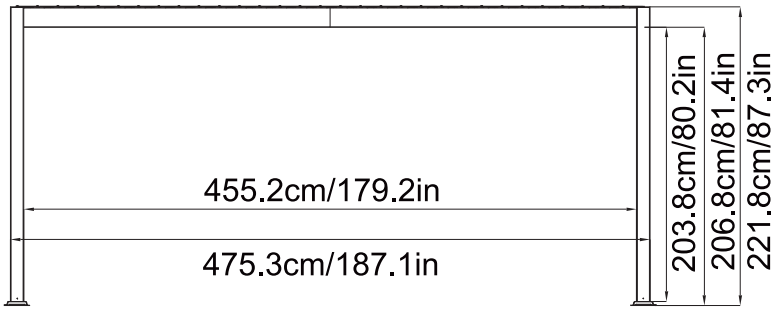
12'x16'



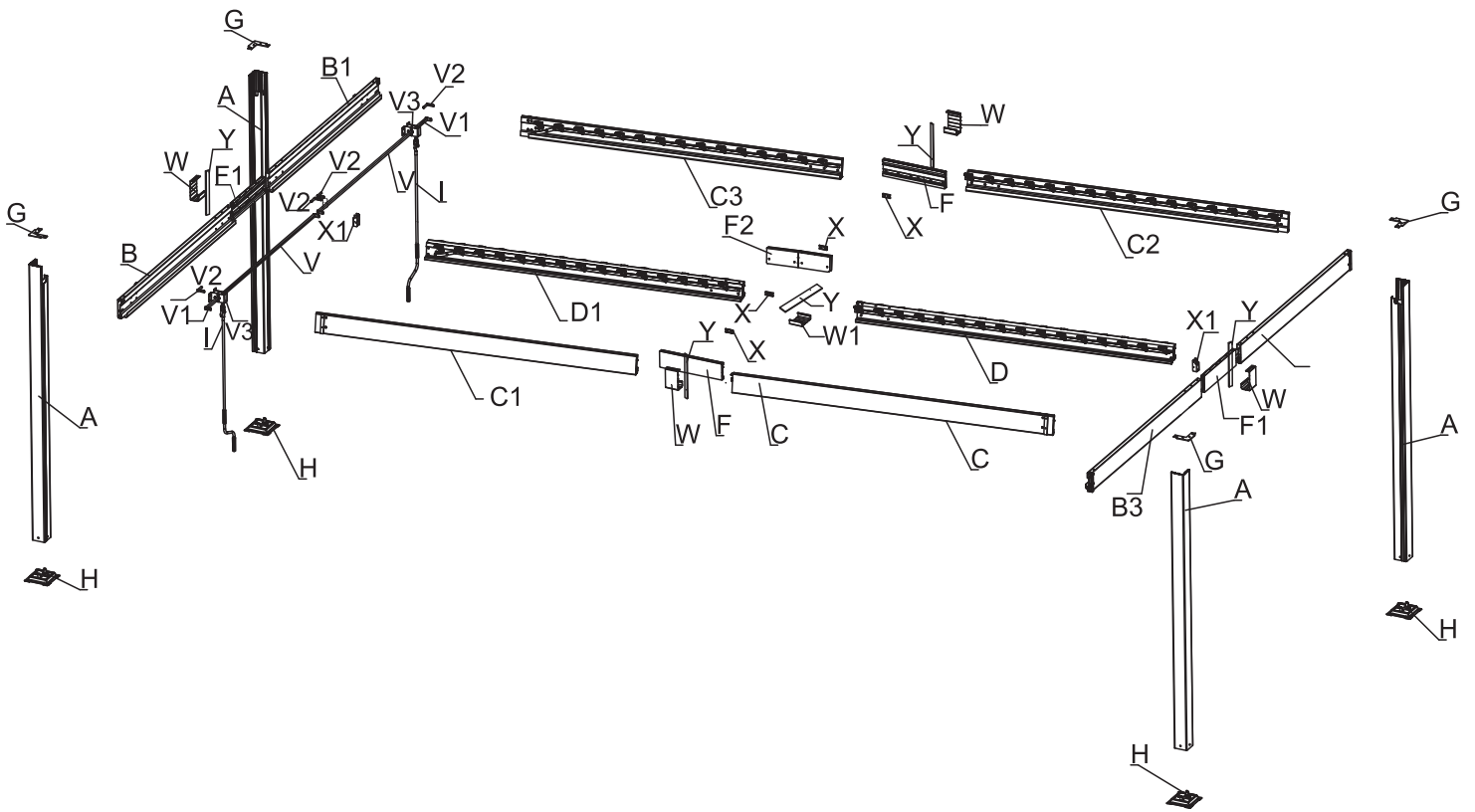
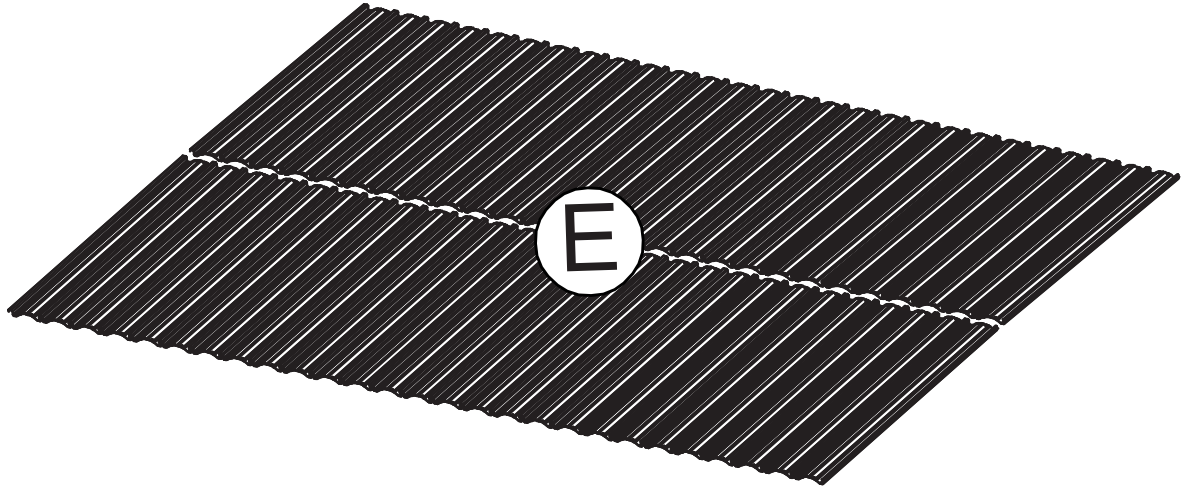
The width dimension error is restricted to 3MM.

Diagonal line error should be limited to 5MM


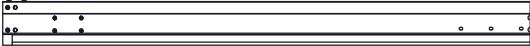
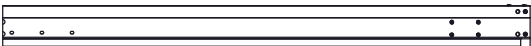
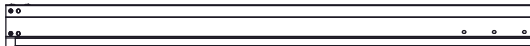


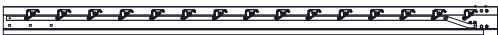





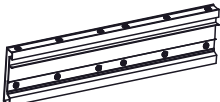
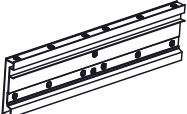
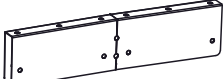
PRODUCT DIMENSIONS



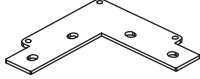
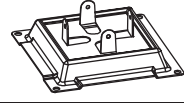




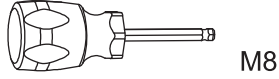
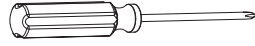


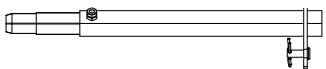

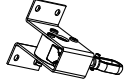
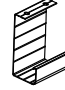
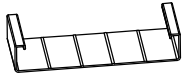

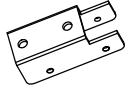

EXPLODED DRAWING




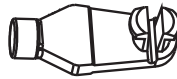

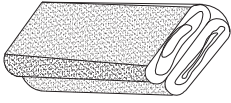
Part Lists

Part Number	Part Image	Description	QTY
A		column	4
B		crossbeam	1
B1		crossbeam	1
B2		crossbeam	1
B3		crossbeam	1
C		crossbeam	1
C1		crossbeam	1
C2		crossbeam	1
C3		crossbeam	1
D		crossbeam	1
D1		crossbeam	1
E		blinds	62
F		lining	2
F1		lining	2
F2		lining	1


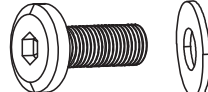



Part Lists

Part Number	Part Image	Description	QTY
G		Column top cover	4
H		chassis	4
I		rocker arm	2
O		hex key	1
P2		hex key	2
Q		hex key	1
Q1		Hexagonal screwdriver	1
R1		Phillips screwdriver	1
S		plastic cover	124
V		rotating tube	2
V1		rotating tube	2
V2		rotating shaft	4
V3		gearbox	2
W		Beam sheath	4
W1		Beam sheath	1
X		connector	4
X1		connector	2
Y	 3M tape	3M adhesive	6

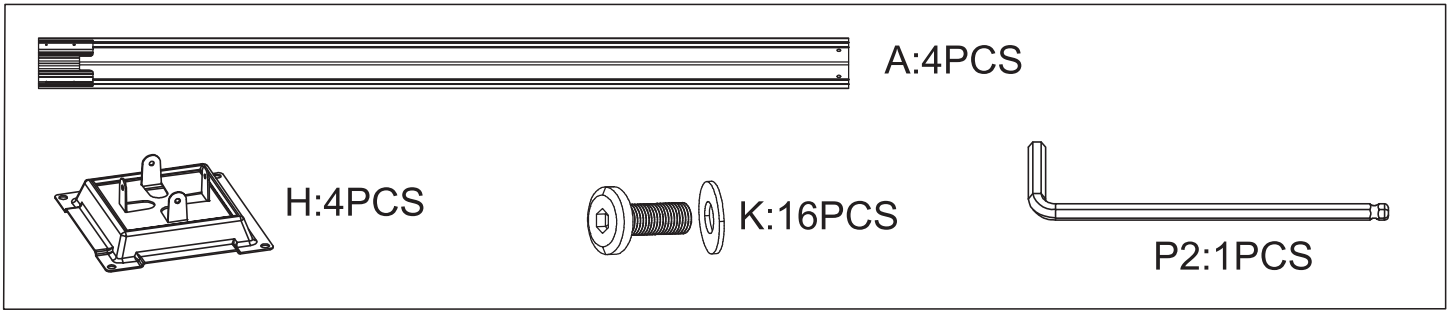
Part Lists

Part Number	Part Image	Description	QTY
T1		plastic plug	16
U		plastic hook	112
U1		enclosure cloth	4
U2		mesh	4

Hardware Pack

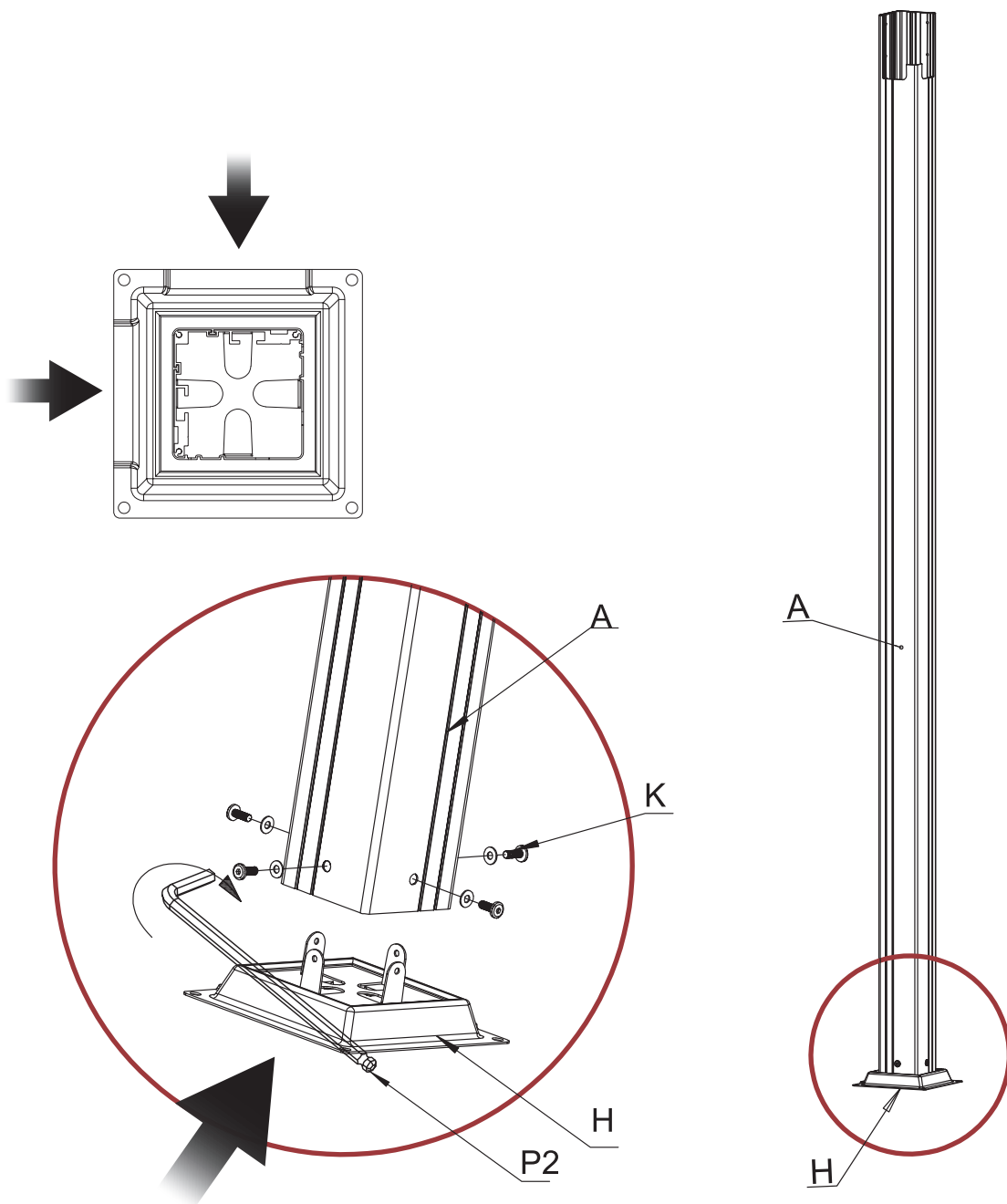
Part Number	Part Image	Description	QTY
J	 ST4.2X25	self-tapping screw	14
K	 M6X16	Flat head hexagonal screw	251
L	 M6	expansion bolt	16
M	 M6X8	Countersunk hexagonal screw	8
N	 M6X35	High foot screw	16

STEP 1: Install upright posts

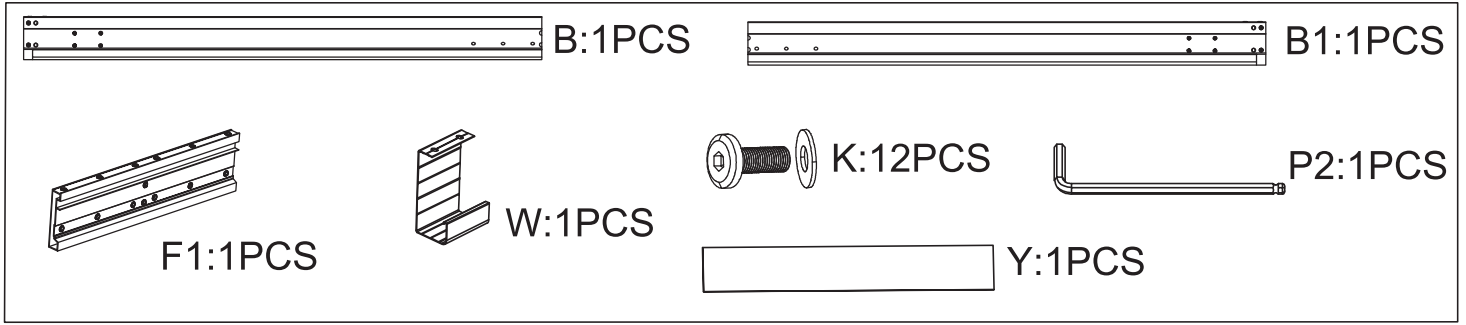


x4

1. Place chassis H(4PCS) under pillar A(4PCS) Connect with screw K(16PCS).



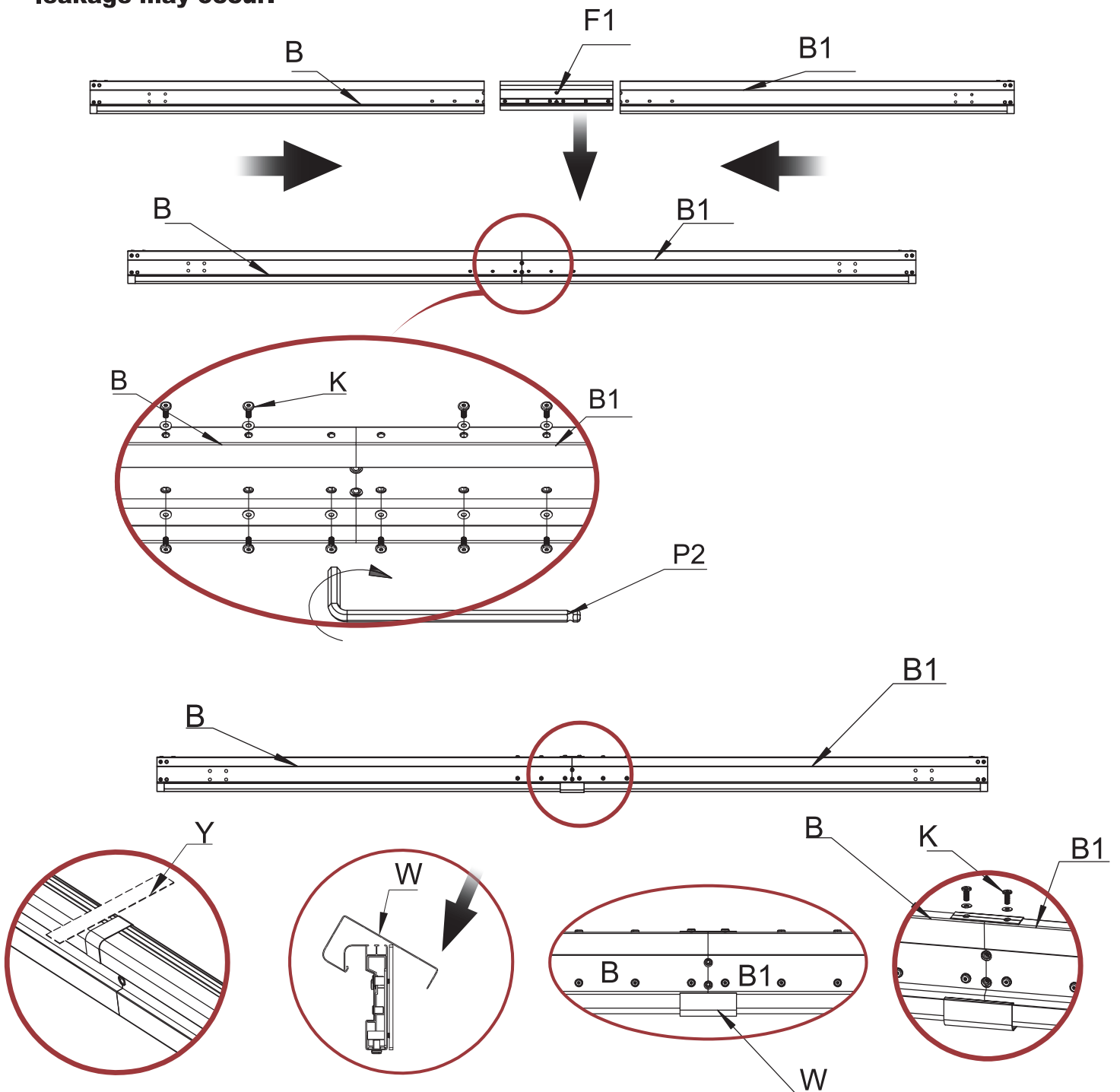
STEP 2: Crossbeam B/crossbeam B1 connection



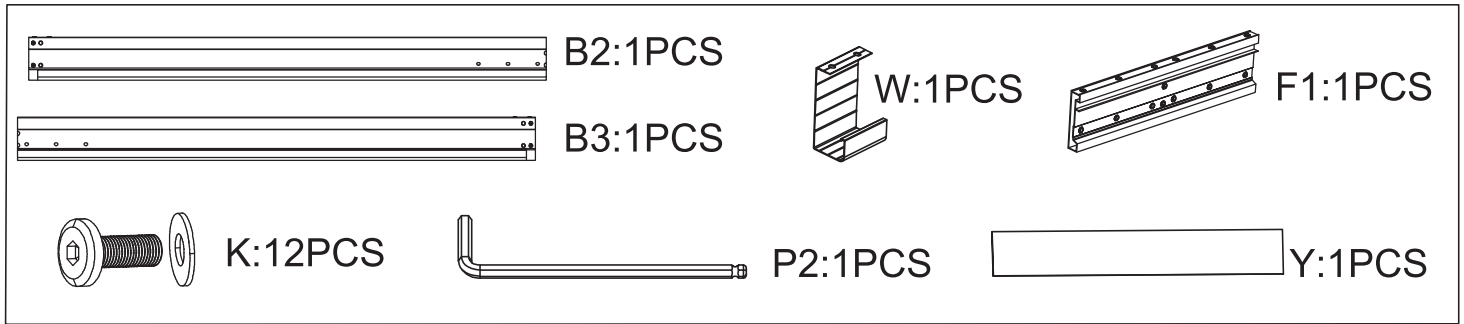
1. Connect crossbeam B(1PCS) and crossbeam B1(1PCS) through crossbeam lining F1(1PCS) with screw K(12PCS).

2. Apply 3M adhesive Y(1PCS) to the joint of the crossbeam, and then install the crossbeam cover W Connect with screw K(12PCS).

3.Attention: Use a scraper to tightly adhere the 3M adhesive to the gap, otherwise water leakage may occur.



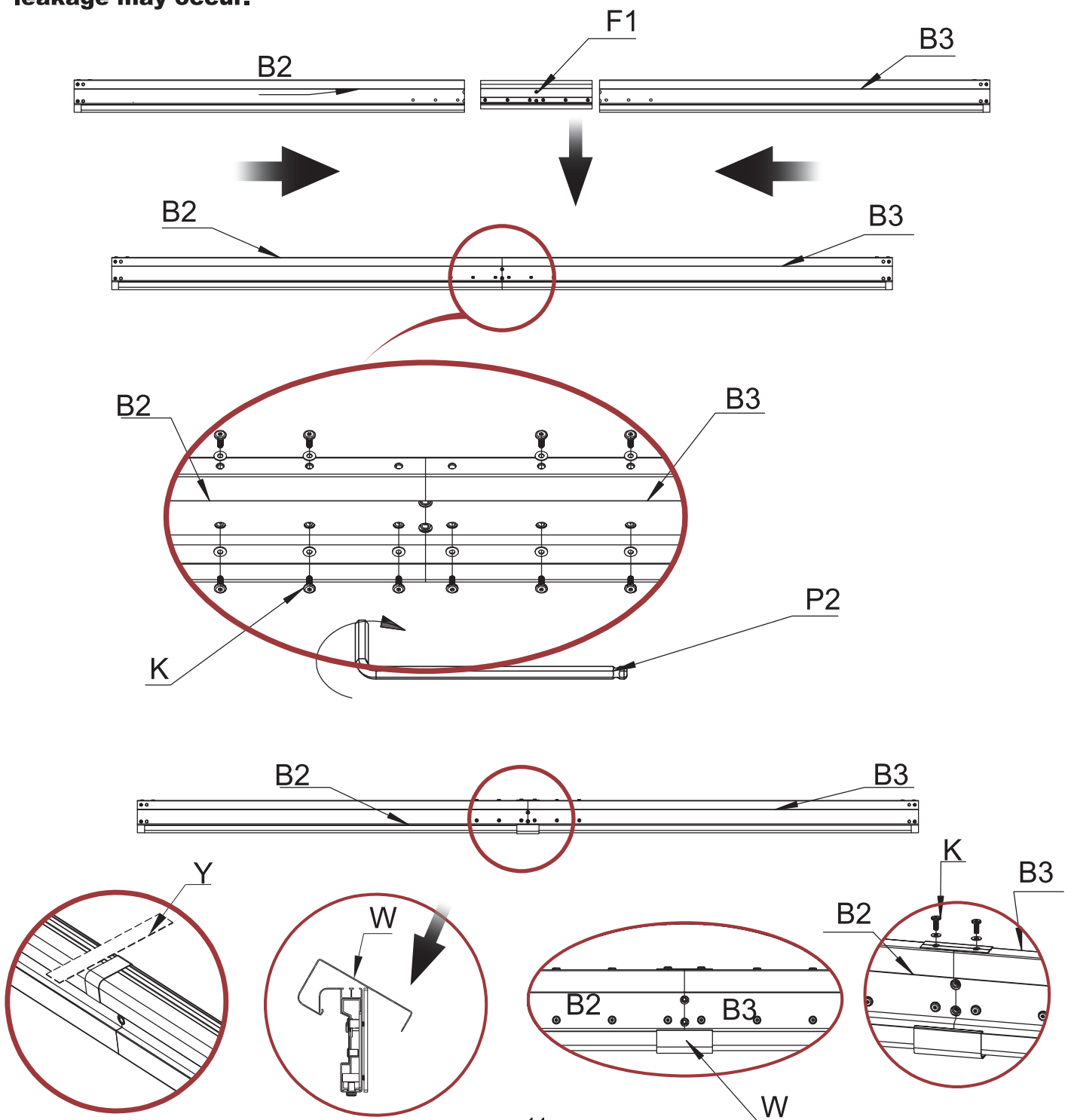
STEP 3: Connection of crossbeam B2/crossbeam B3



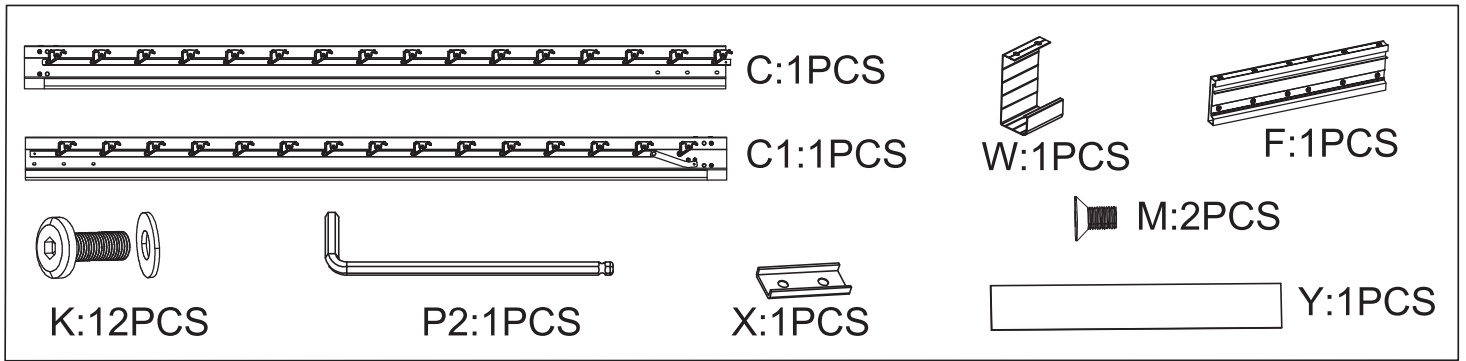
1. Connect crossbeam B2(1PCS) and crossbeam B3(1PCS) through crossbeam lining F1(1PCS) with screw K(12PCS).

2. Apply 3M adhesive Y(1PCS) to the joint of the crossbeam, and then install the crossbeam cover W Connect with screw K(12PCS).

3.Attention: Use a scraper to tightly adhere the 3M adhesive to the gap, otherwise water leakage may occur.



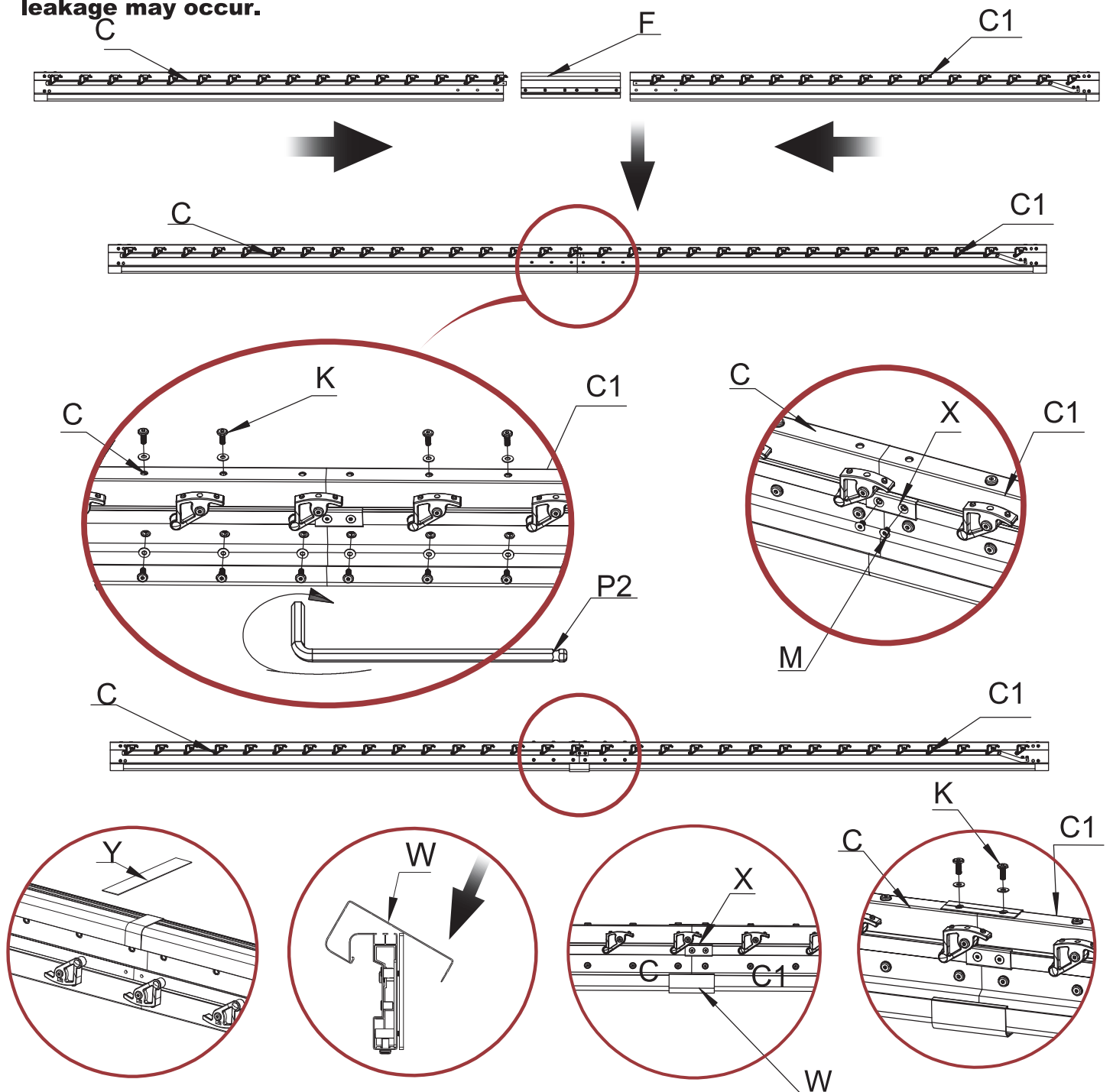
STEP 4: Connection of crossbeam C/crossbeam C1



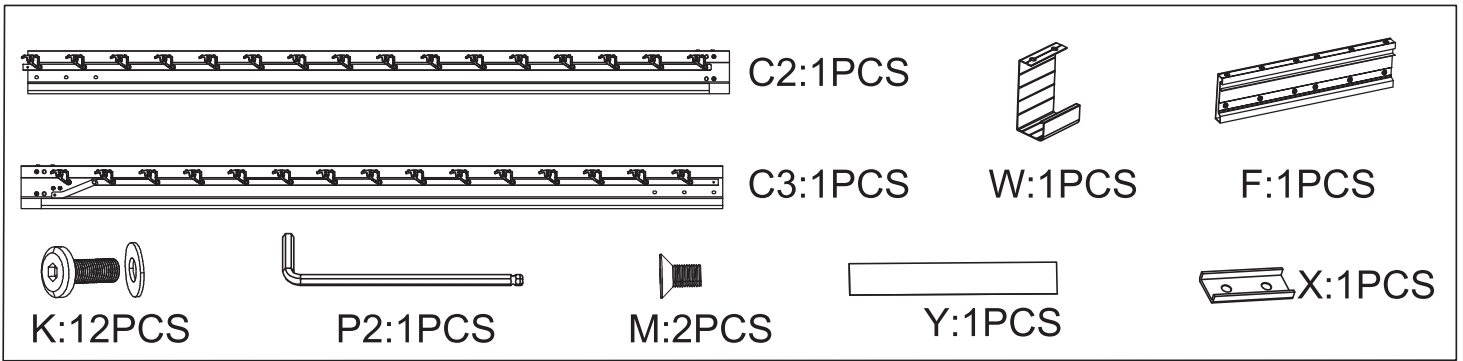
1. Connect crossbeam C(1PCS) and crossbeam C1(1PCS) through crossbeam lining F(1PCS) and screw K(12PCS) together.

2. Apply 3M adhesive Y(1PCS) to the joint of the crossbeam, and then install the crossbeam cover W(1PCS) Connect with screw K(12PCS).

3.Attention: Use a scraper to tightly adhere the 3M adhesive to the gap, otherwise water leakage may occur.



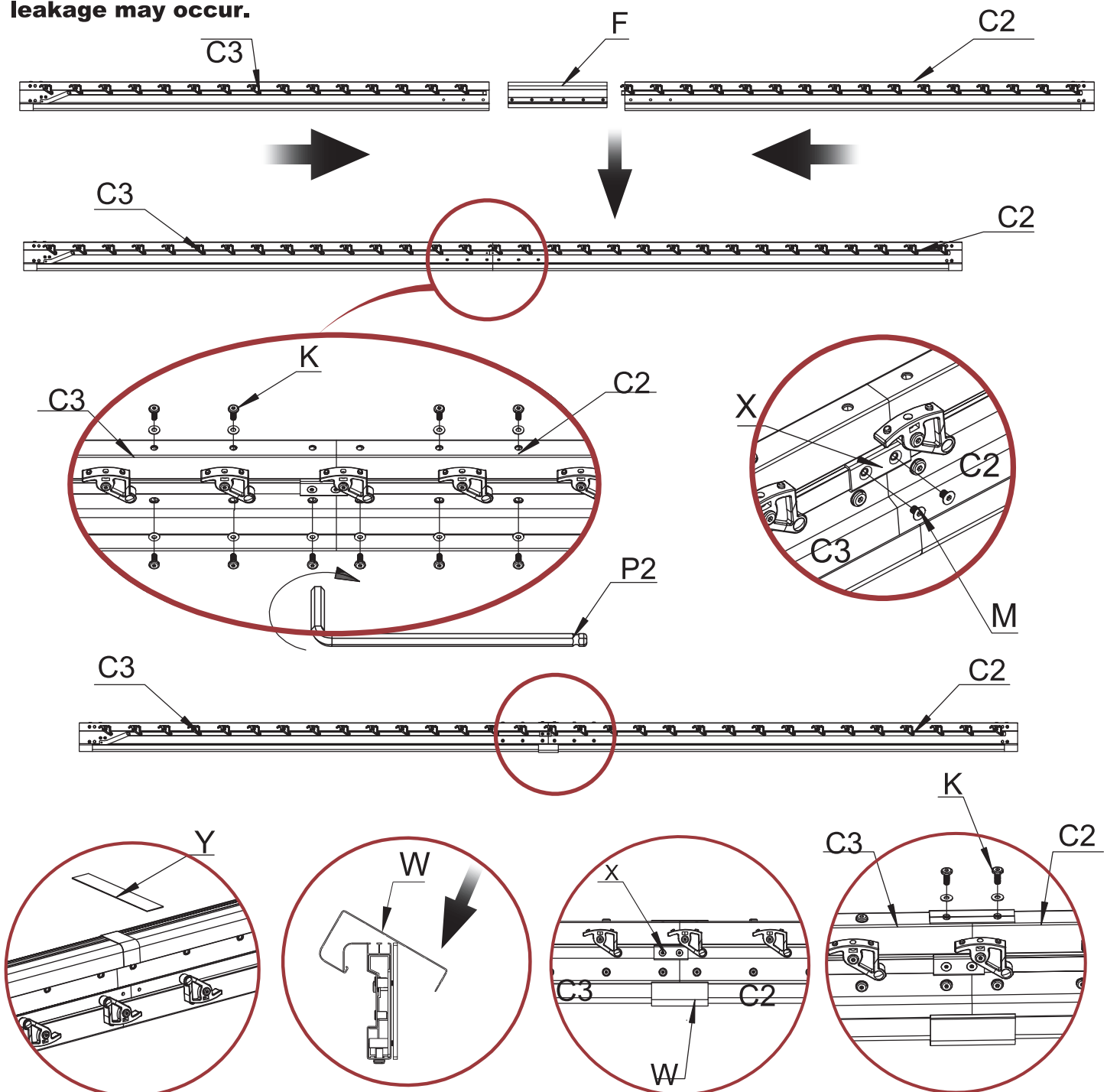
STEP 5: Connection of crossbeam C2/crossbeam C3



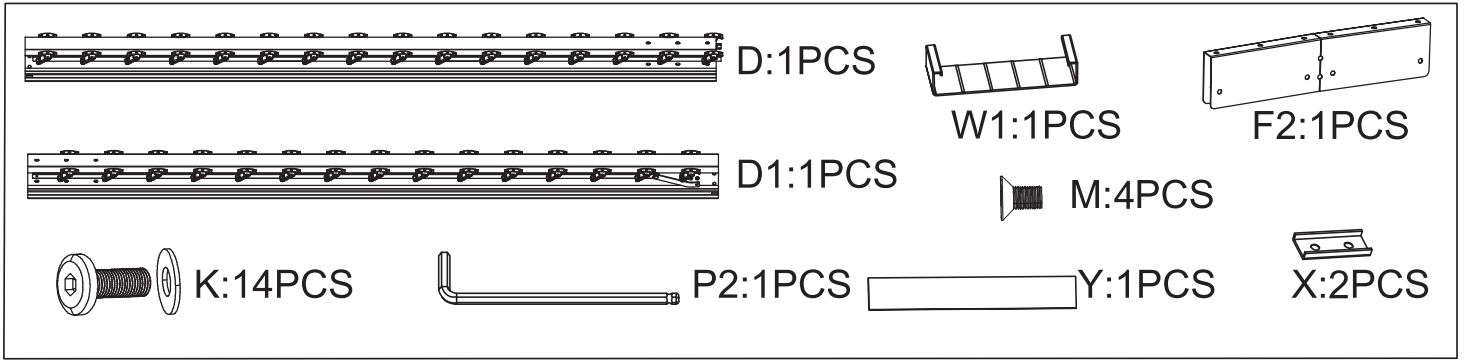
1. Connect crossbeam C2(1PCS) and crossbeam C3(1PCS) through crossbeam lining F(1PCS) and screw K(12PCS) together.

2. Apply 3M adhesive Y(1PCS) to the joint of the crossbeam, and then install the crossbeam cover W(1PCS) Connect with screw K(12PCS).

3.Attention: Use a scraper to tightly adhere the 3M adhesive to the gap, otherwise water leakage may occur.



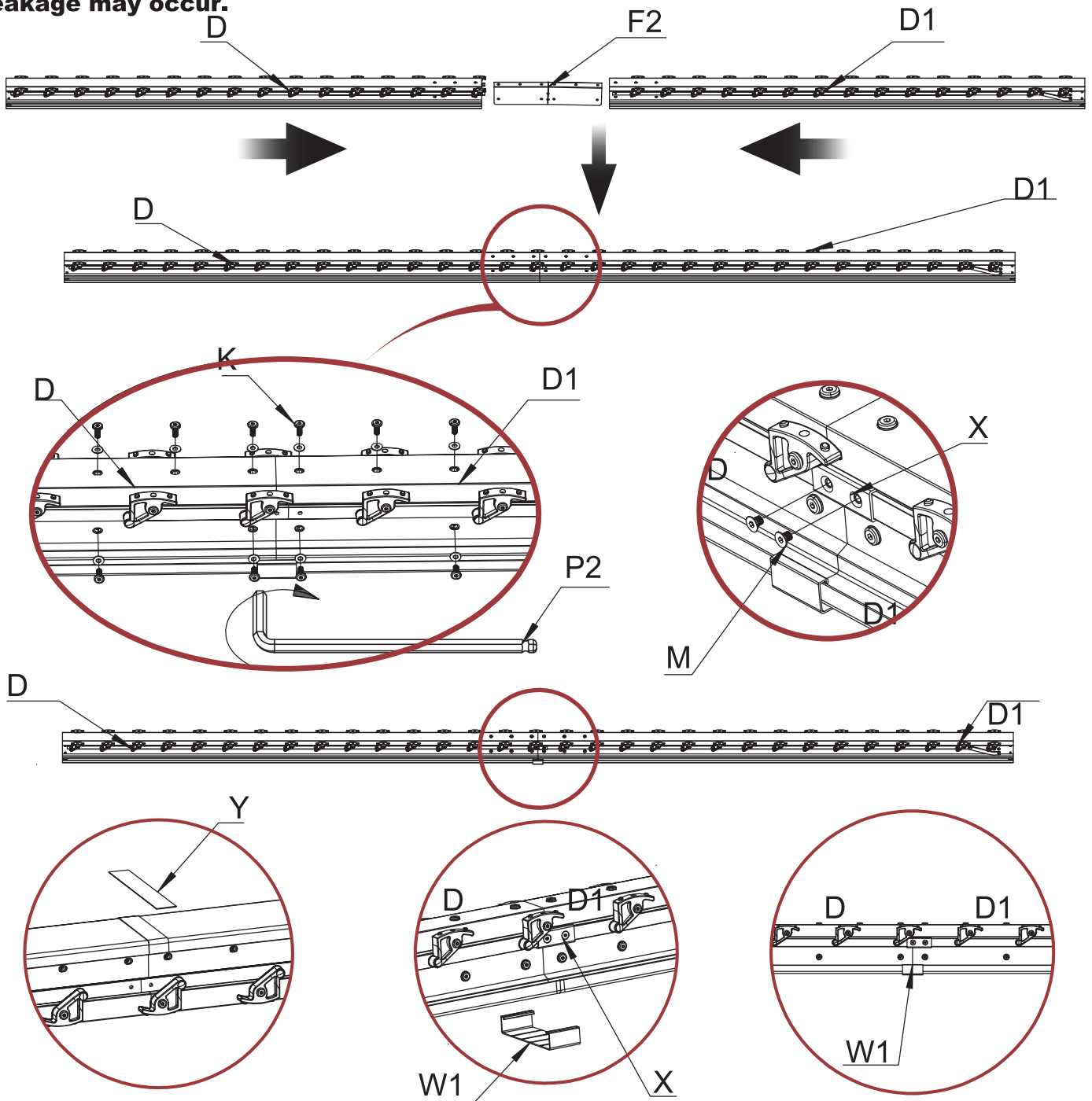
STEP 6: Connection of crossbeam D/crossbeam D1



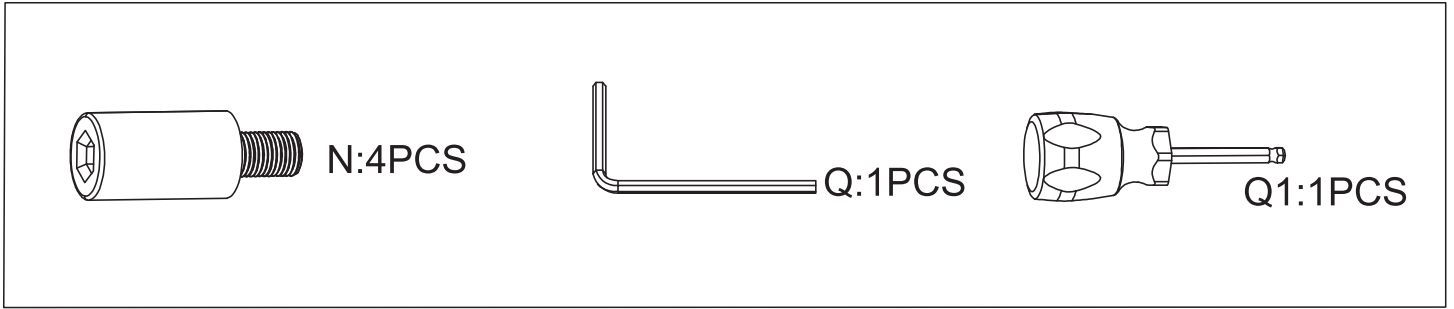
1. Connect crossbeam D(1PCS) and crossbeam D1(1PCS) through crossbeam lining F2(1PCS) with screw K(14PCS).

2. Apply 3M adhesive Y(1PCS) to the joint of the crossbeam, and then install the crossbeam cover W1(1PCS) Connect with screw K(14PCS).

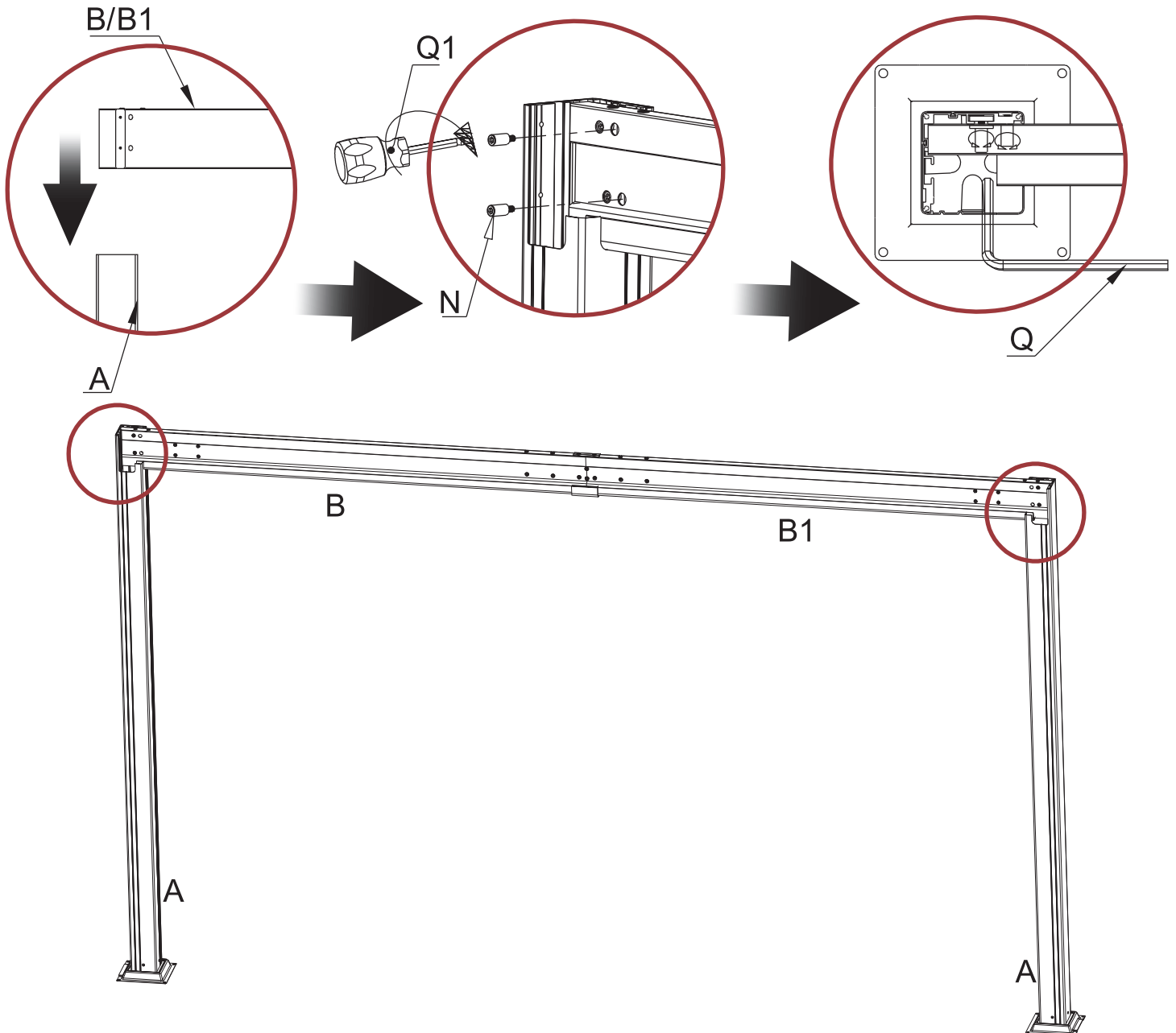
3.Attention: Use a scraper to tightly adhere the 3M adhesive to the gap, otherwise water leakage may occur.



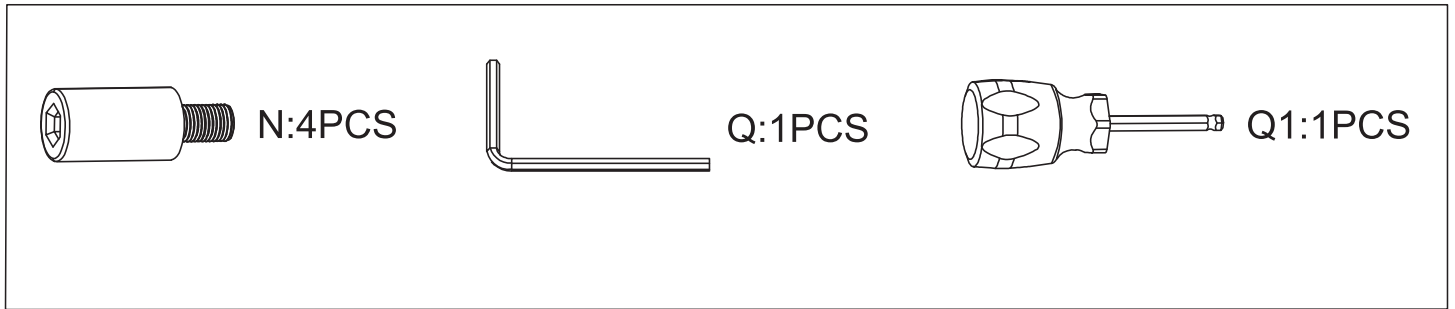
STEP 7: Crossbeam B/crossbeam B1/Column Connection



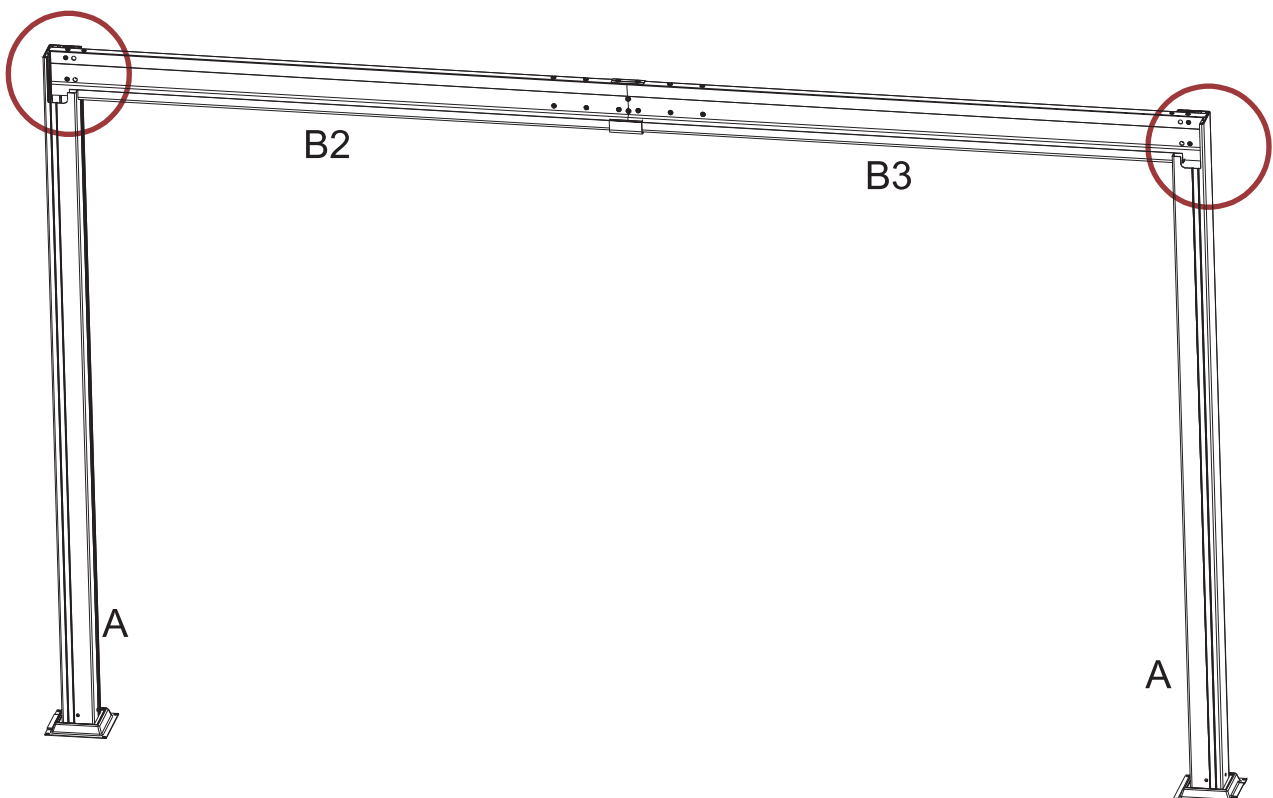
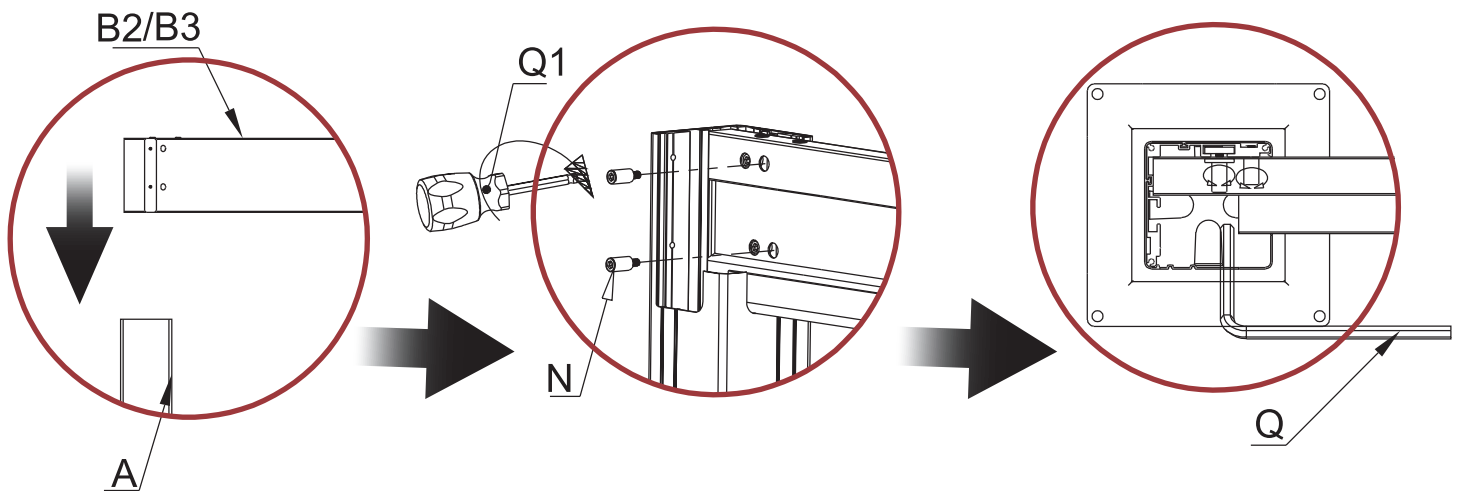
1. Insert the assembled crossbeam B/B1 into the square groove of column A from top to bottom.
2. First, use wrench Q1(1PCS) to lock screw N(4PCS) in Tighten with wrench Q (1PCS) again.



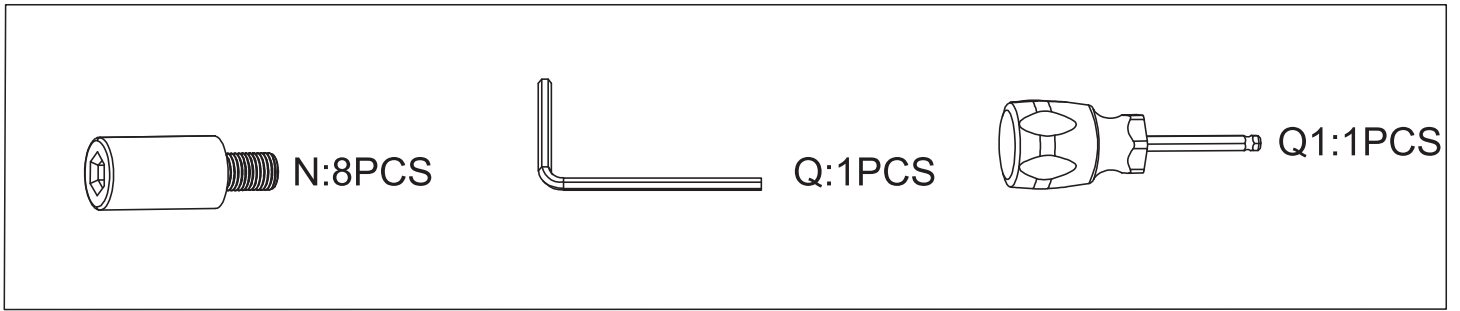
STEP 8: Crossbeam B2/crossbeam B3/Column Connection



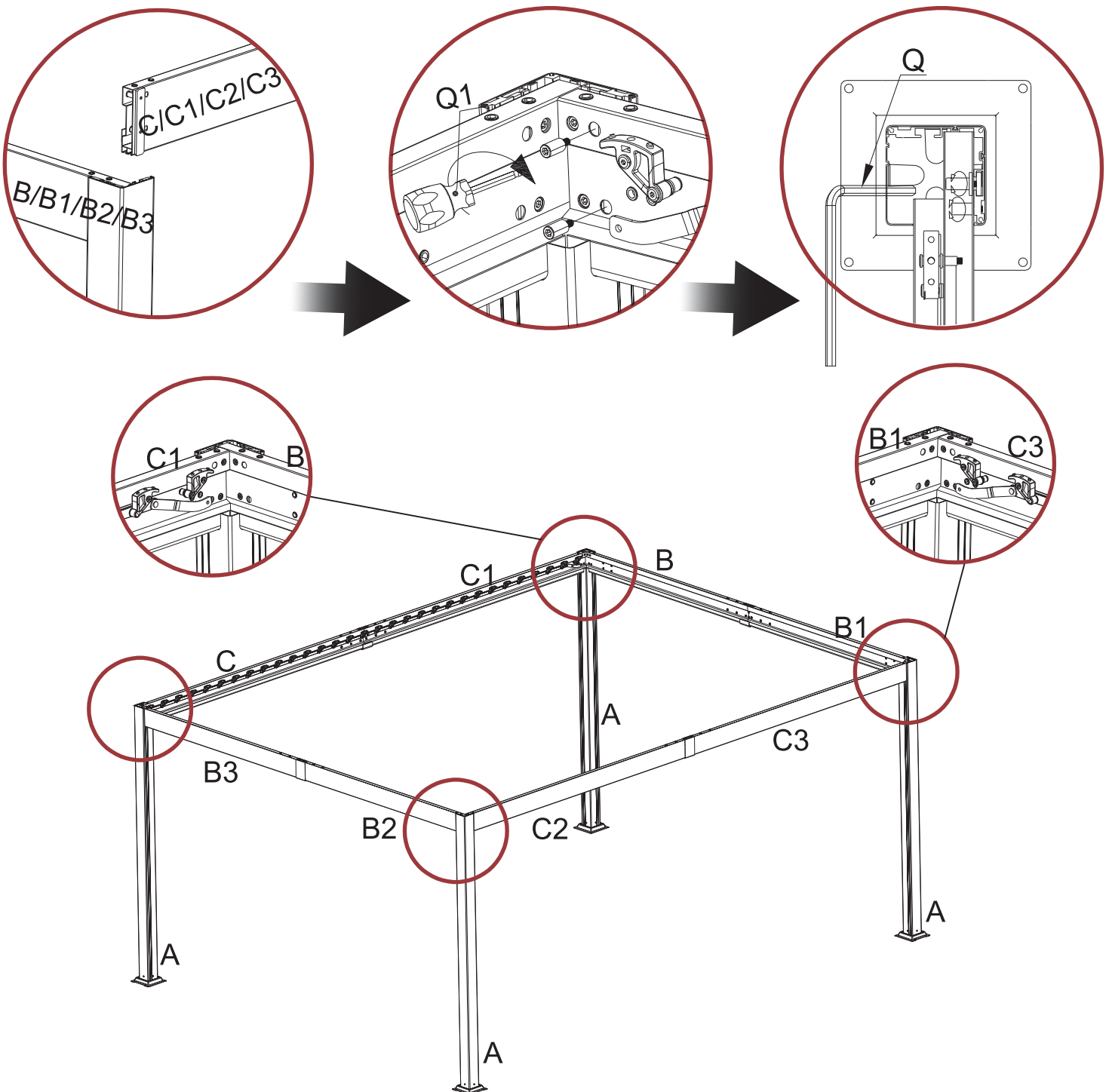
1. Insert the assembled crossbeam B2/B3 into the square groove of column A from top to bottom.
2. First, use wrench Q1(1PCS) to lock screw N(4PCS) in Tighten with wrench Q(1PCS) again.



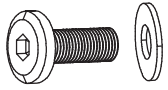
STEP 9: Crossbeam C/crossbeam C1/crossbeam C2/crossbeam C3/Column Connection



1. Insert the assembled crossbeam C/C1/C2/C3 into the square groove of column A from top to bottom.
2. First, use wrench Q1(1PCS) to lock screw N(8PCS) in Tighten with wrench Q(1PCS) again.



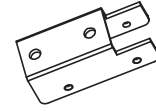
STEP 10: Installation connector



K:4PCS

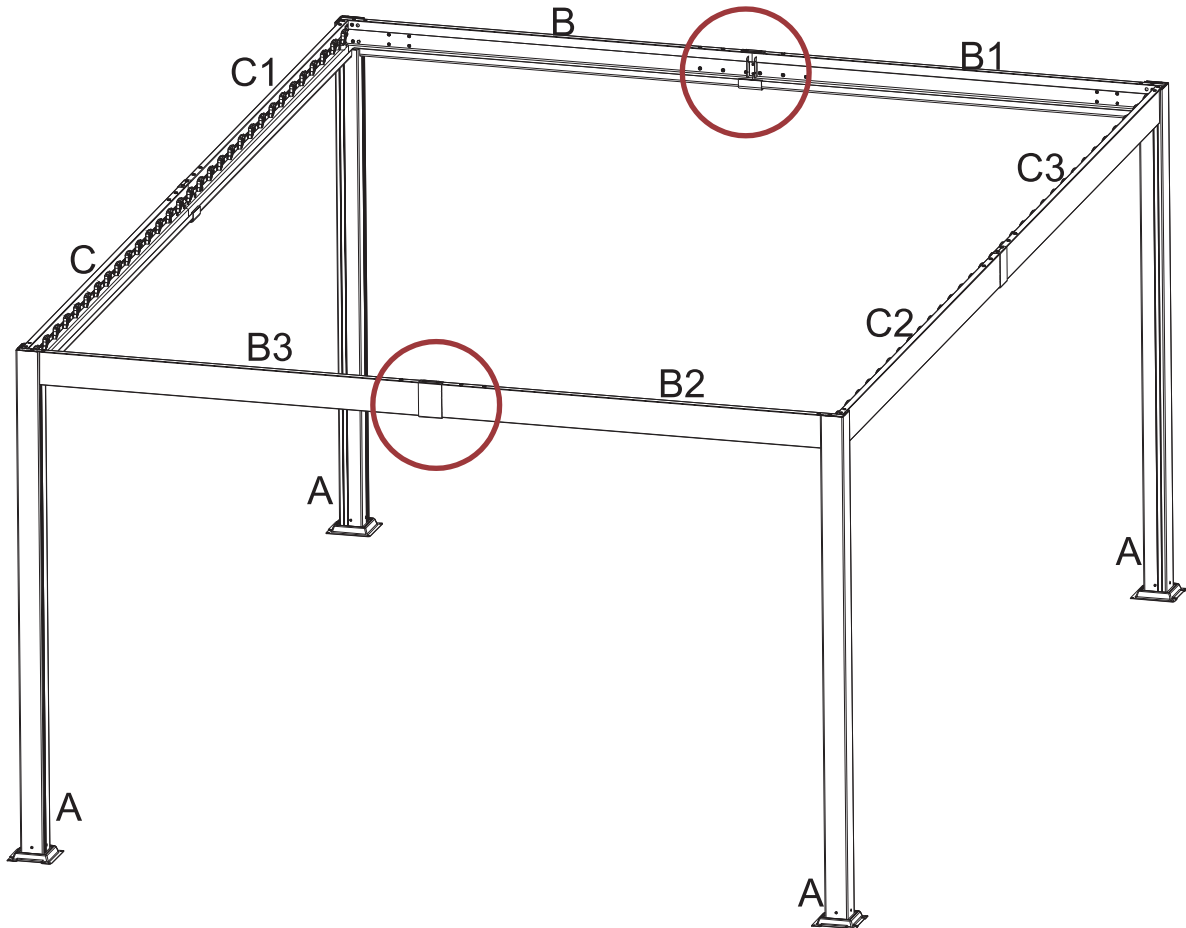
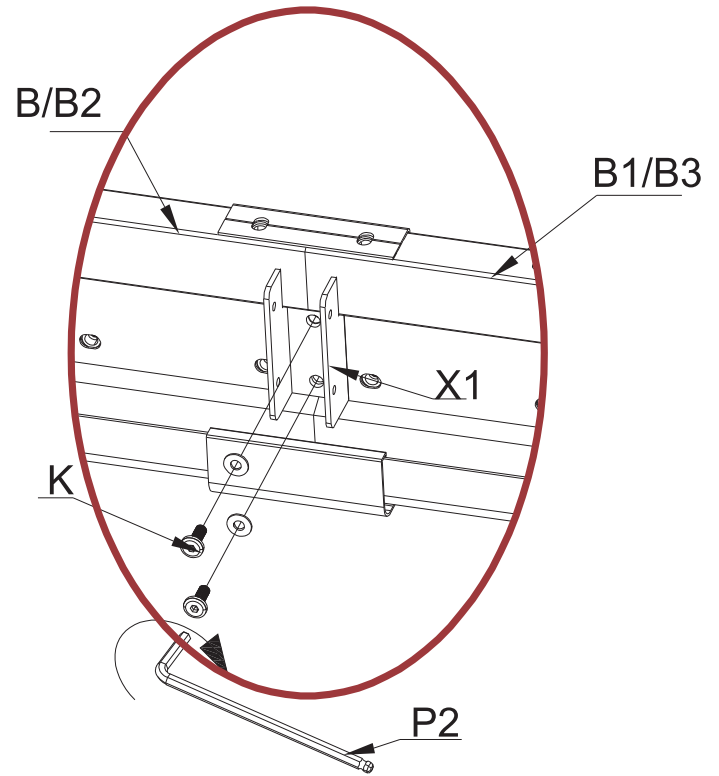


P2:1PCS

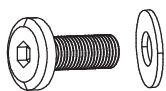


X1:2PCS

1. Secure connector X1(2PCS) to the joint of crossbeam B/B1 and crossbeam B2/B3 using screw K(4PCS).



STEP 11: Install the middle crossbeam

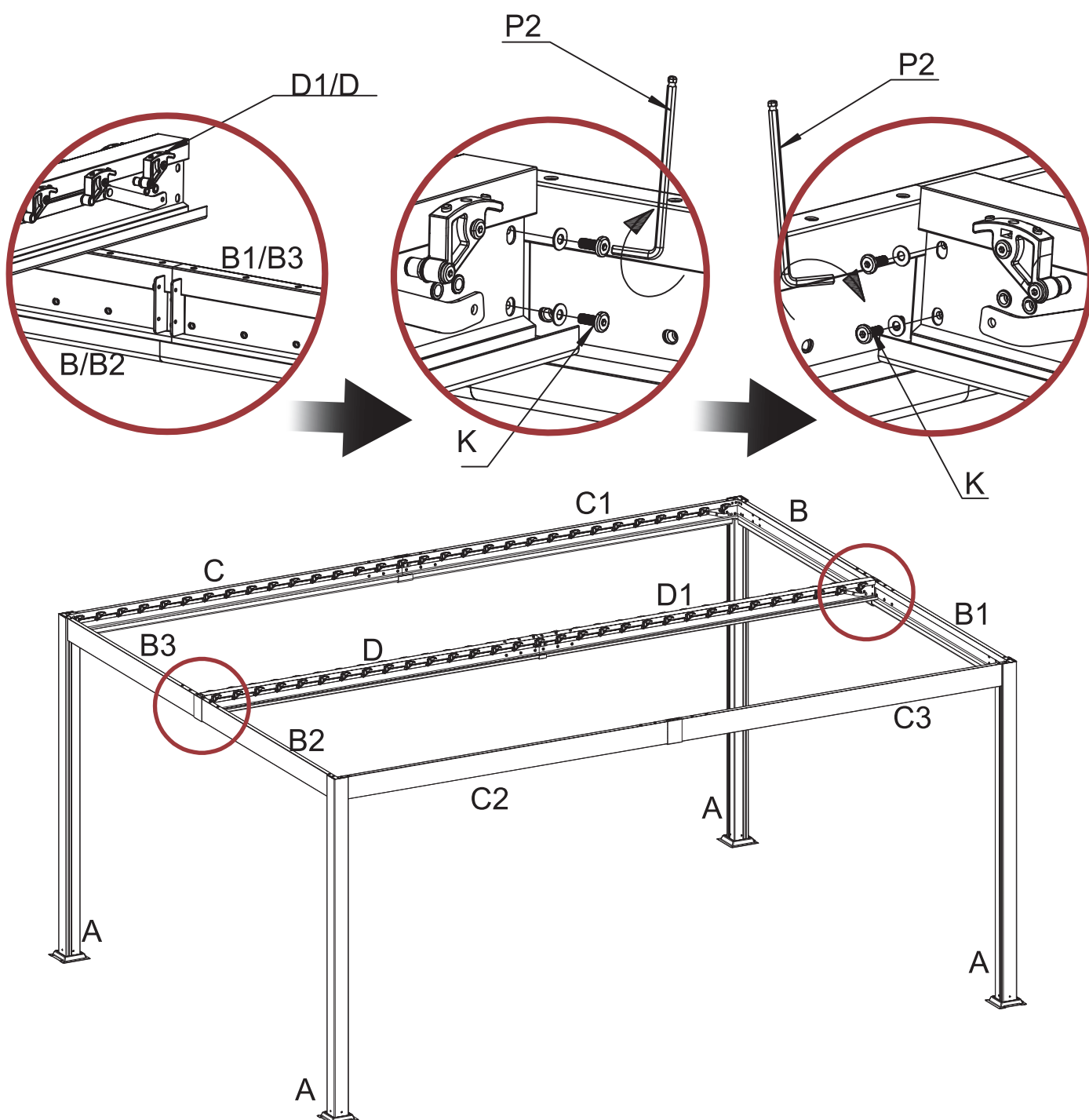


K:8PCS

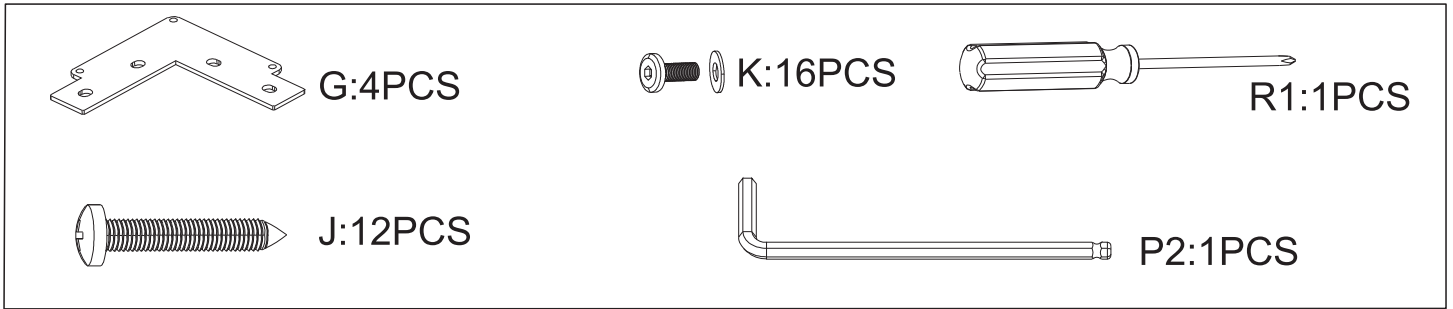


P2:1PCS

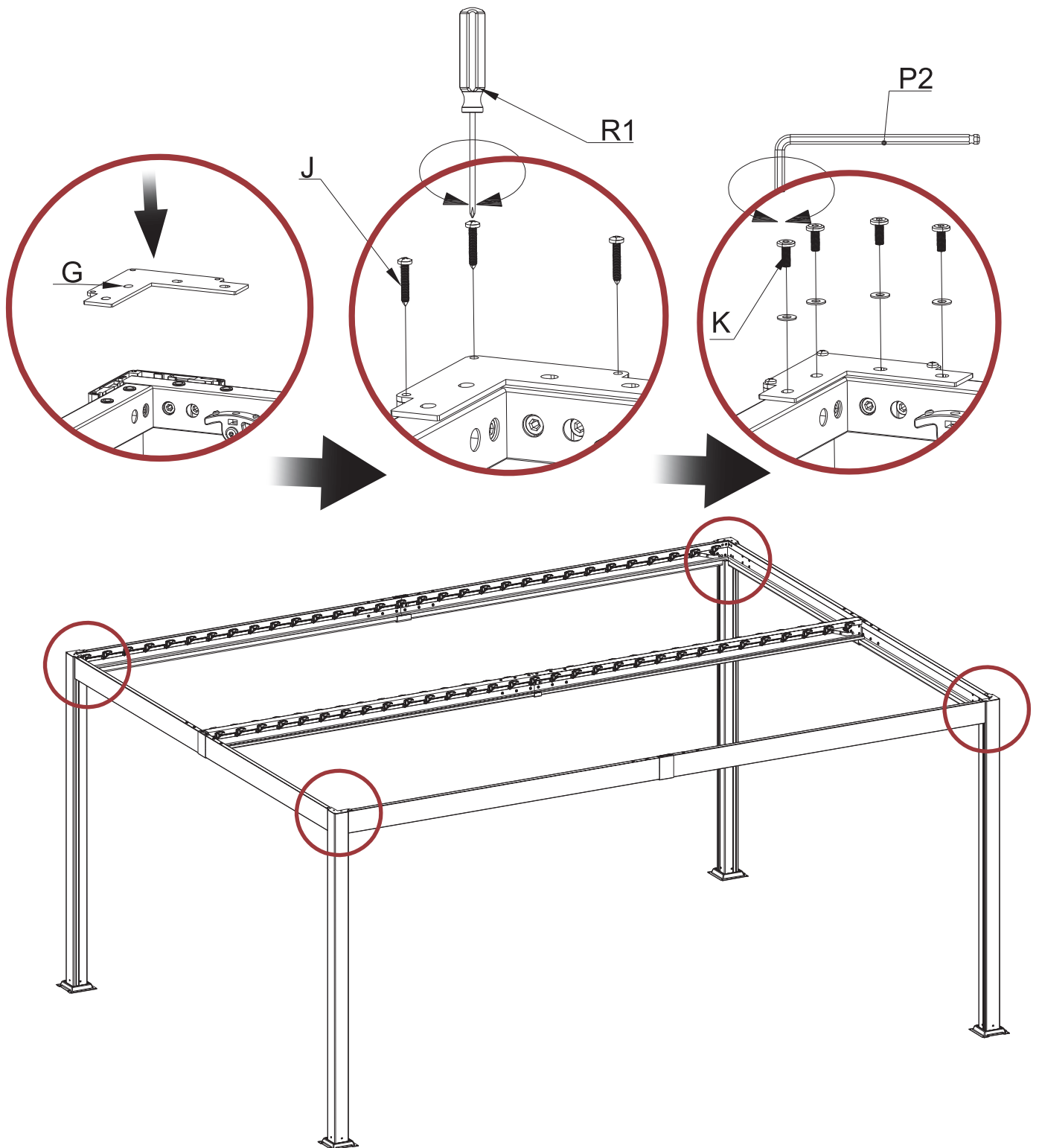
1. Align the middle crossbeam D/D1 from top to bottom and insert it into the connector X1. Use screw K(8PCS) to fix both sides.



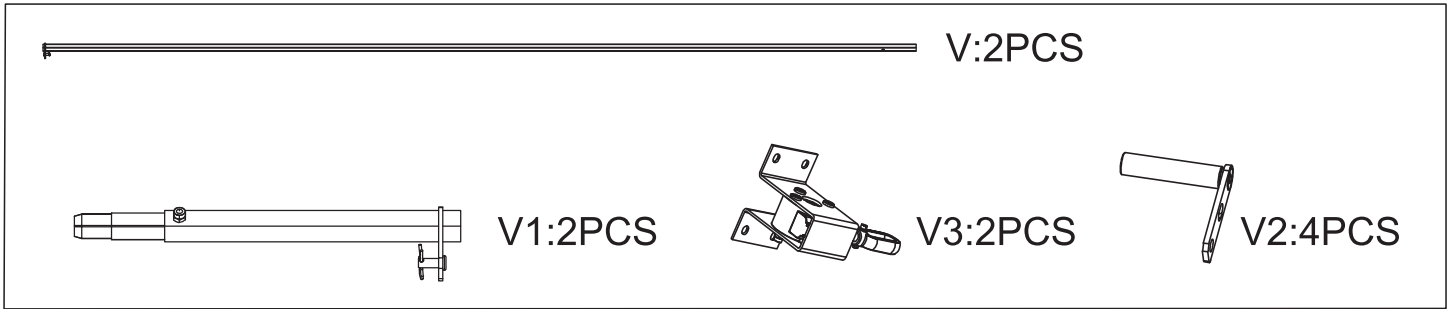
STEP 12: Install the top cover of the column



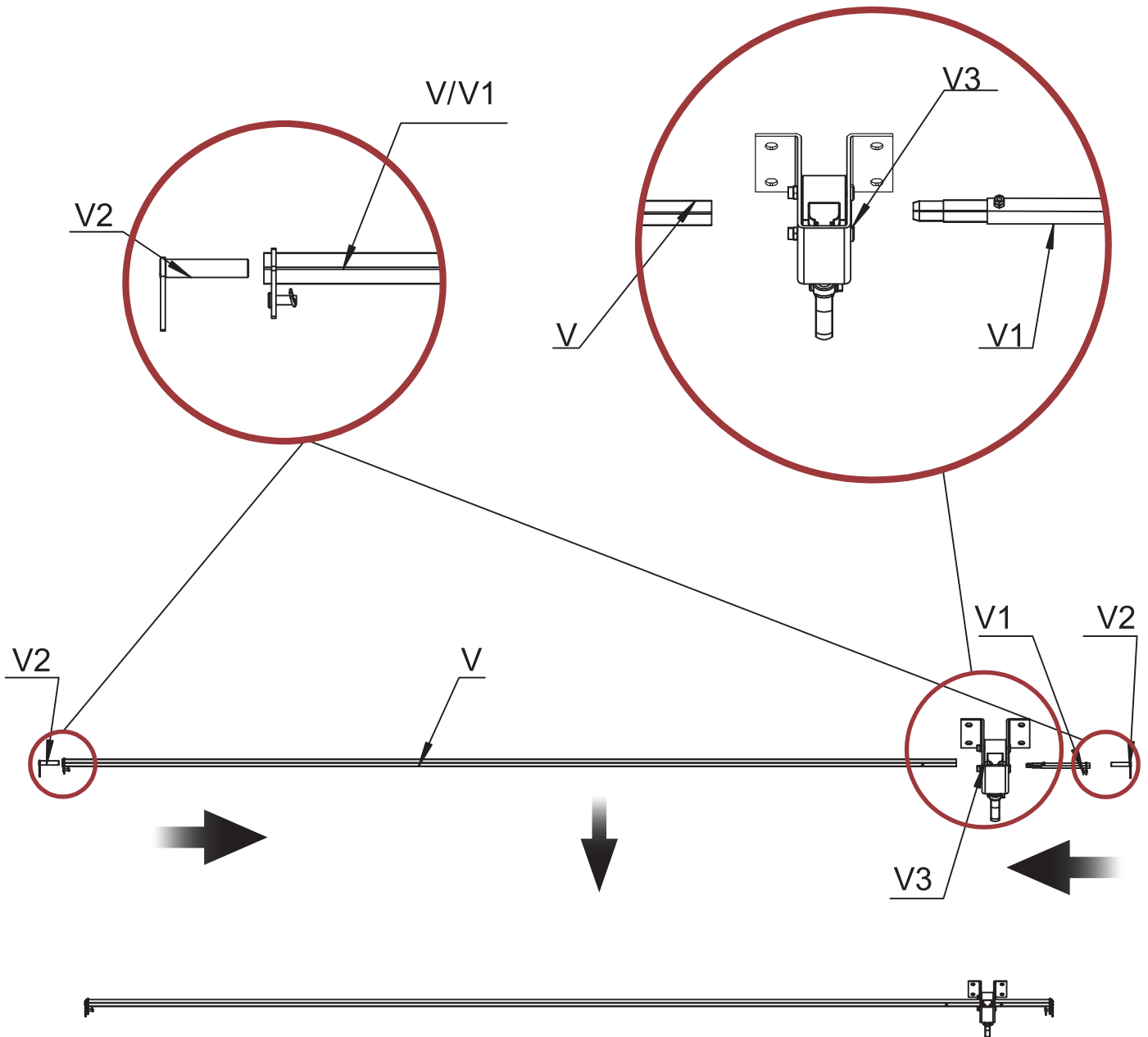
1. Place the top cover G(4PCS) of the pillar on top of pillar A. Fix with self tapping screw J(12PCS). Secure with screw K(16PCS) again.



STEP 13: Rotating system combination



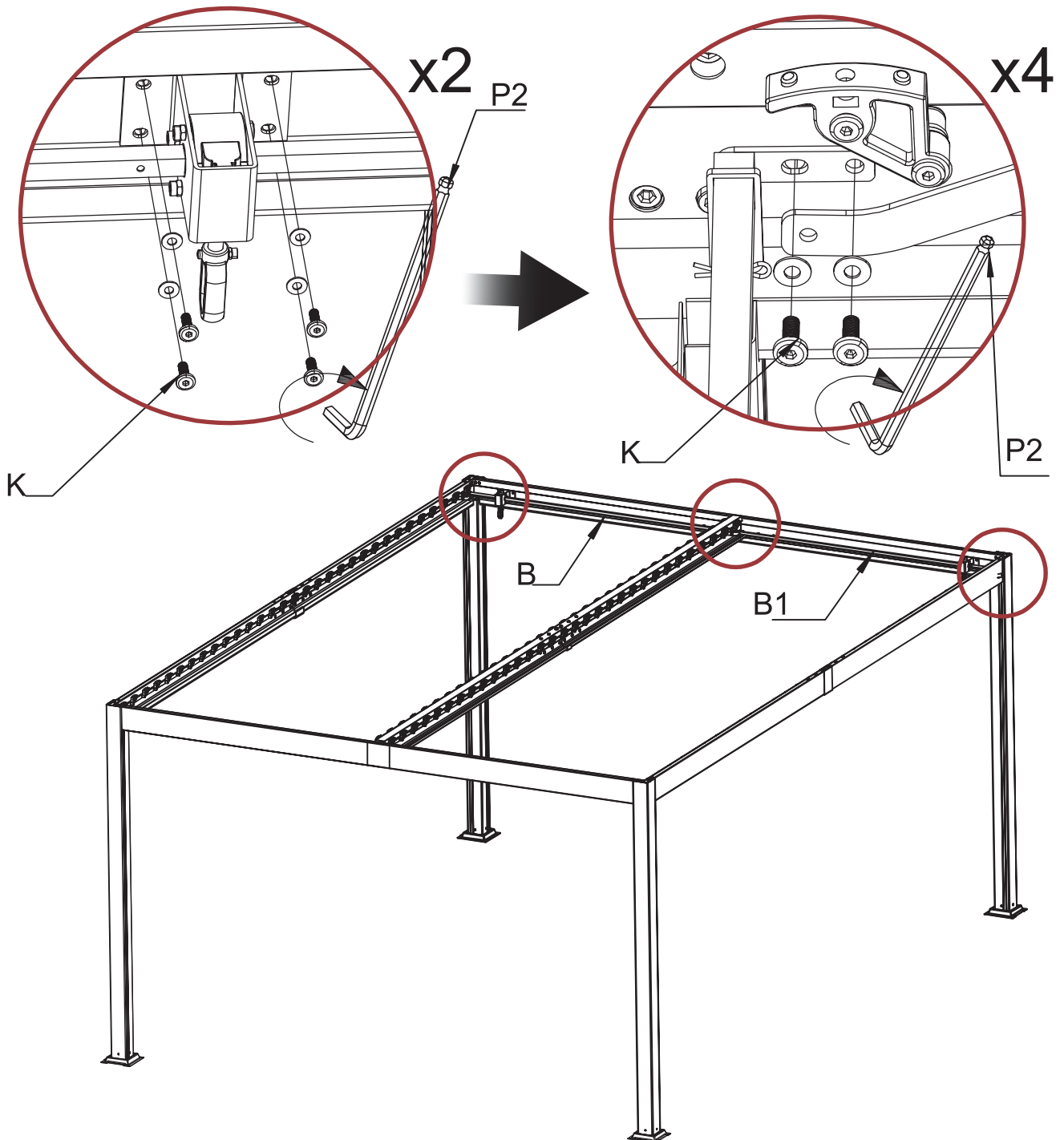
1. Insert the rotating tube V(2PCS) and the rotating tube V1(2PCS) into the gearbox V3(2PCS) in the same direction.
2. Insert the rotating shaft V2(4PCS) into the rotating tube V(2PCS) and the rotating tube V1(2PCS) respectively.



STEP 14: Rotating system combination

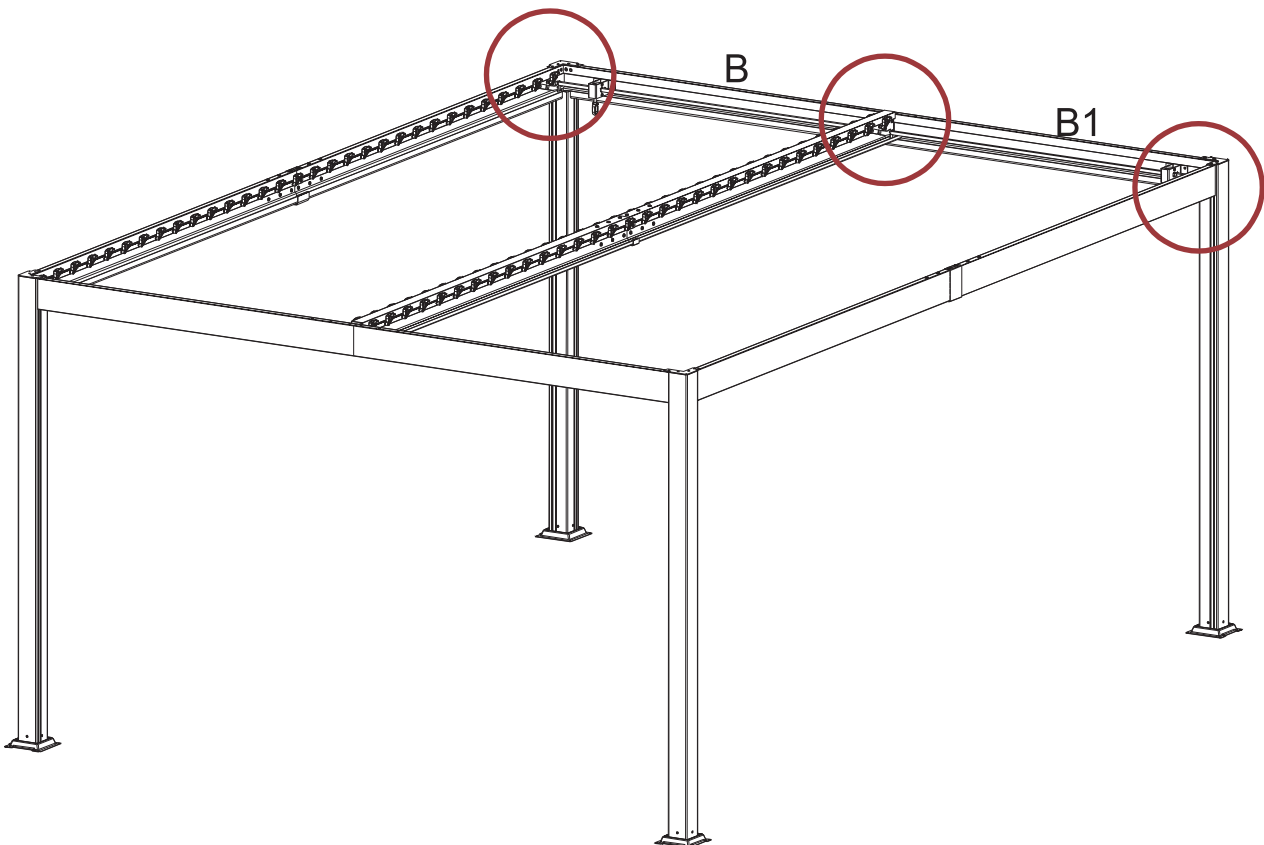
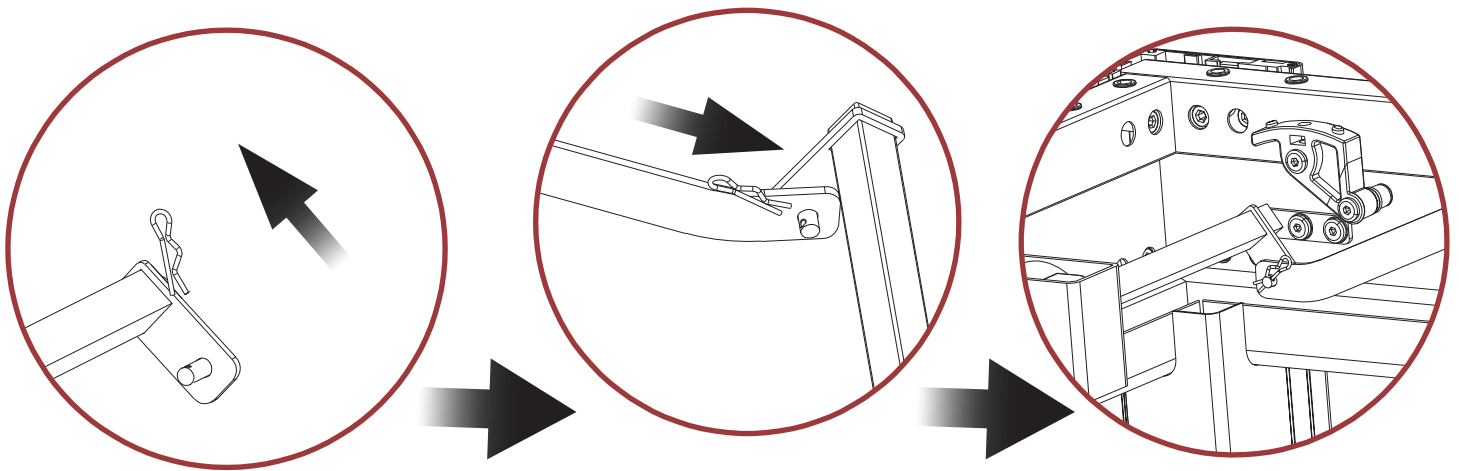


1. Fix the rotating system assembled in the previous step onto crossbeam B and crossbeam B1 with screw K (16PCS).

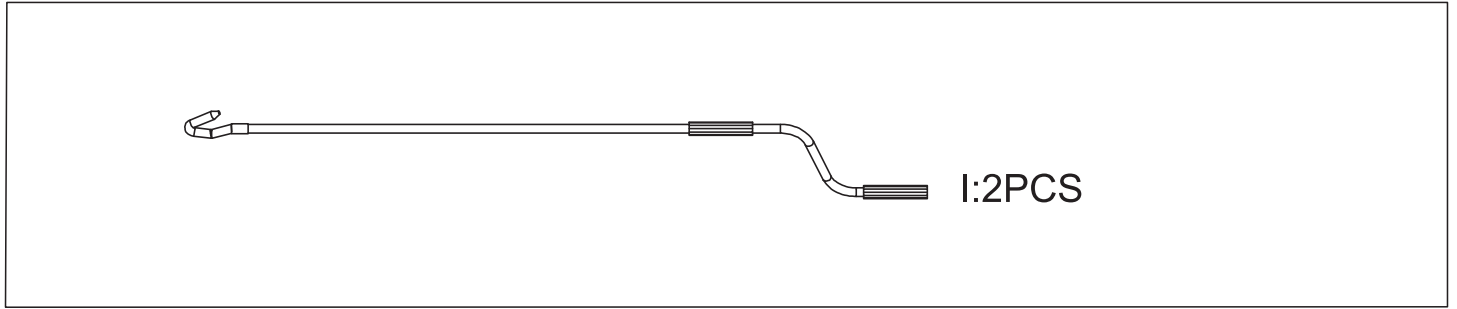


STEP 15: Installation of rotating system

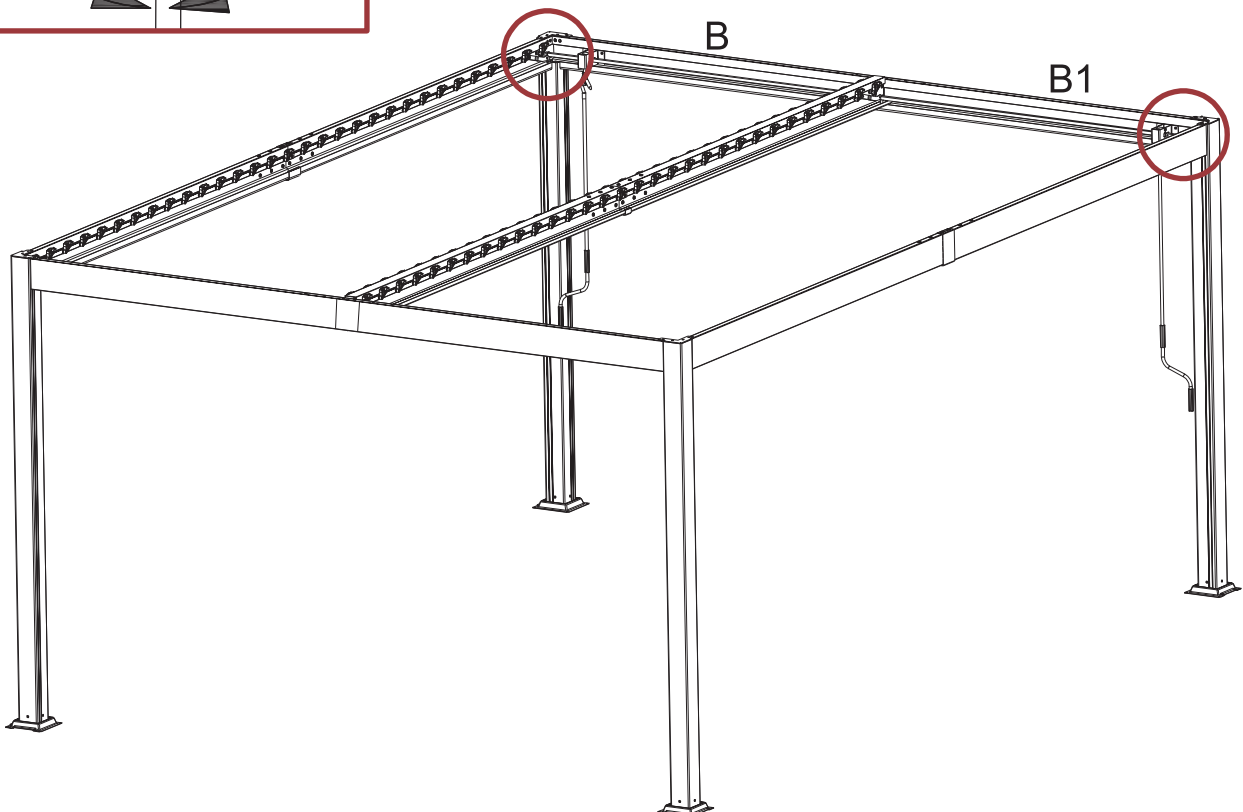
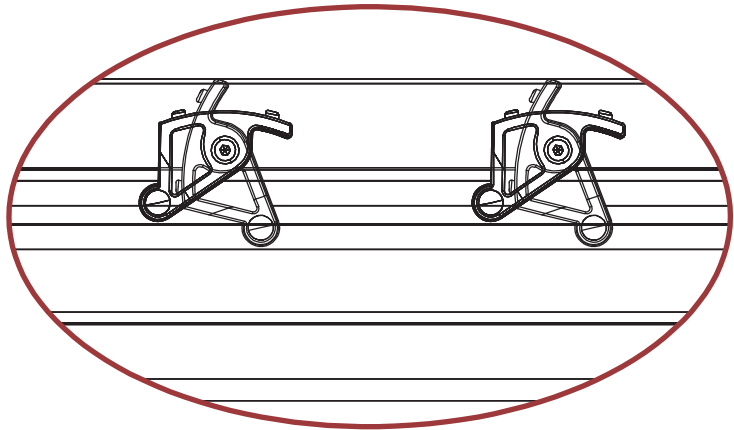
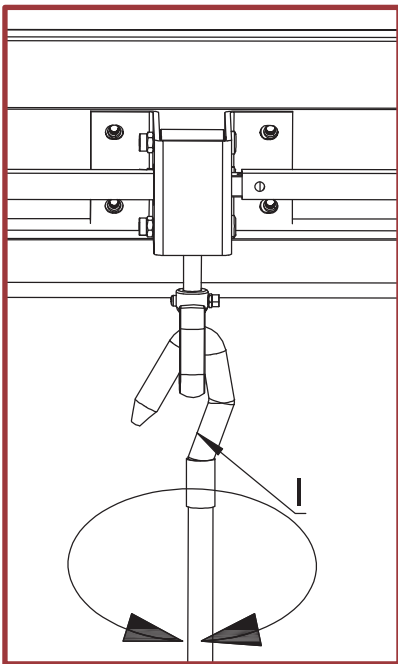
1. Remove the pins on the screws of the rotating tube V and the rotating tube V1.
2. Insert the screws into the iron holes of crossbeam C1 and crossbeam C2 And insert the plug back in.



STEP 16: Install the rocker arm

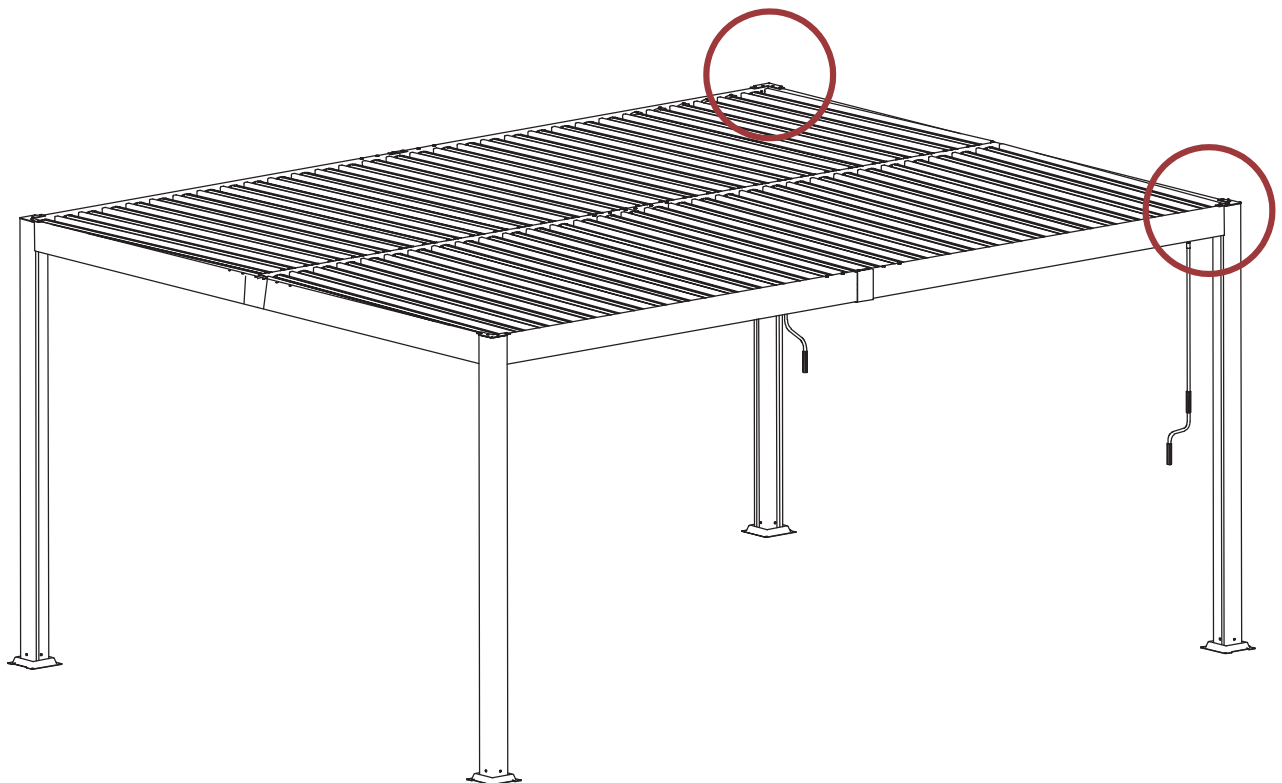
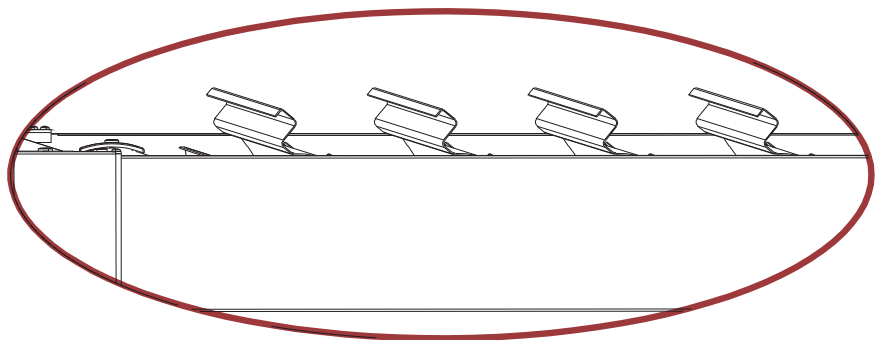
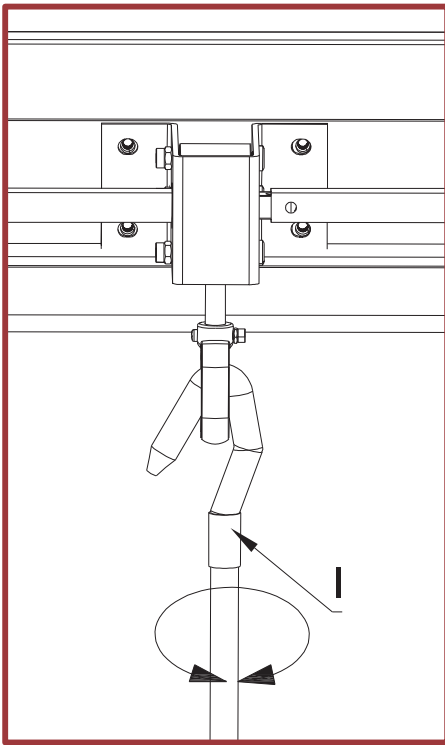


1. Hang hand I(2PCS) on gearbox V3 and rotate it to a parallel state.

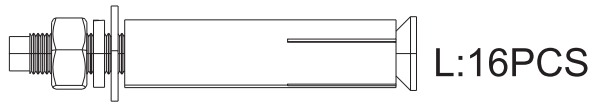


STEP 18: Open and close the blinds

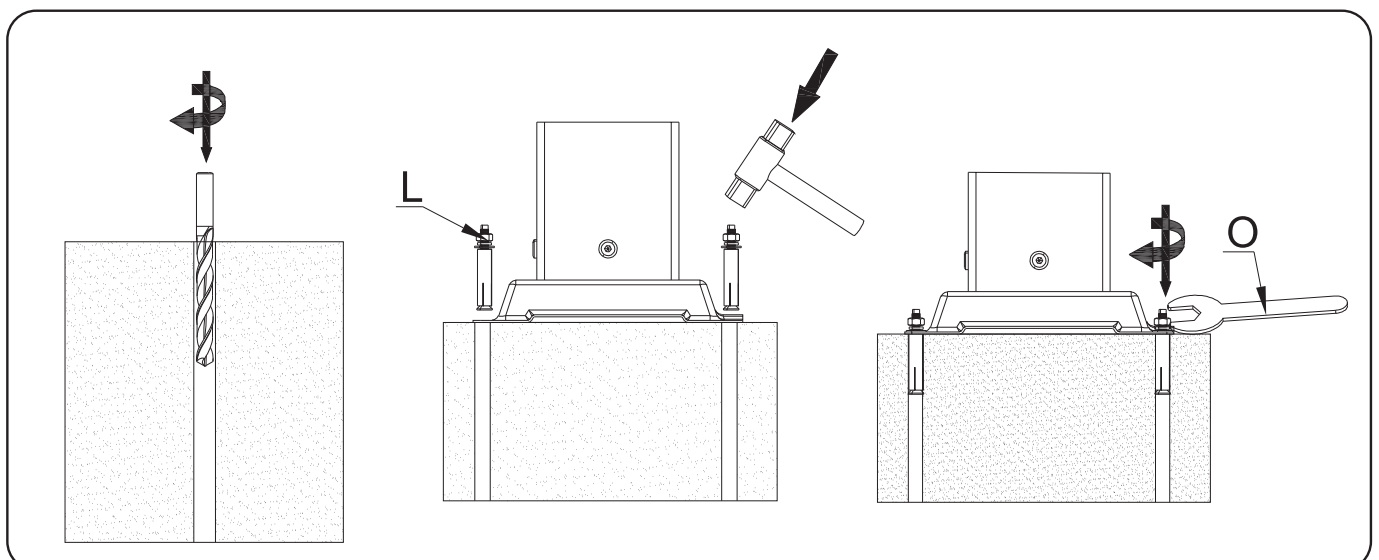
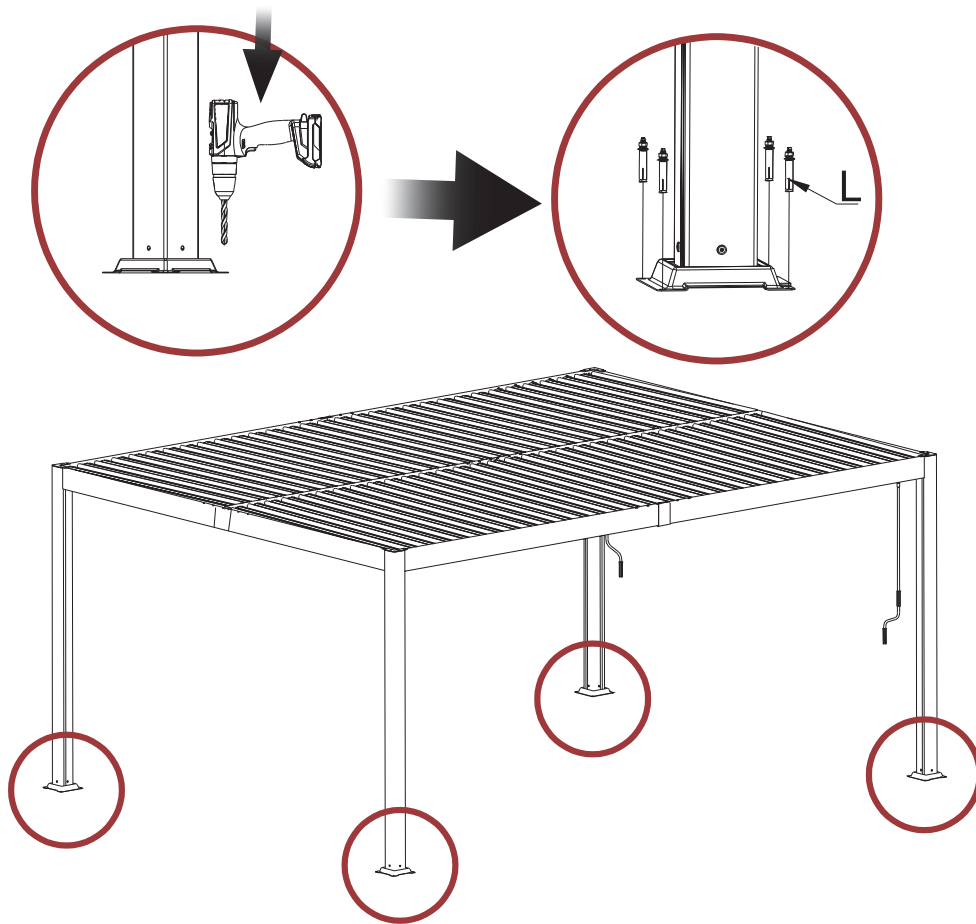
1. Rotating the hand I can open and close the blinds.



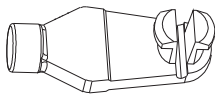
STEP 19: Install expansion screws



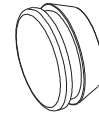
1. According to the specified size Use an electric drill gun to drill holes according to the position of the foot pad, and hammer the expansion screw L(16PCS) into the hole And fix it.



STEP 20: Install the surrounding fabric accessories

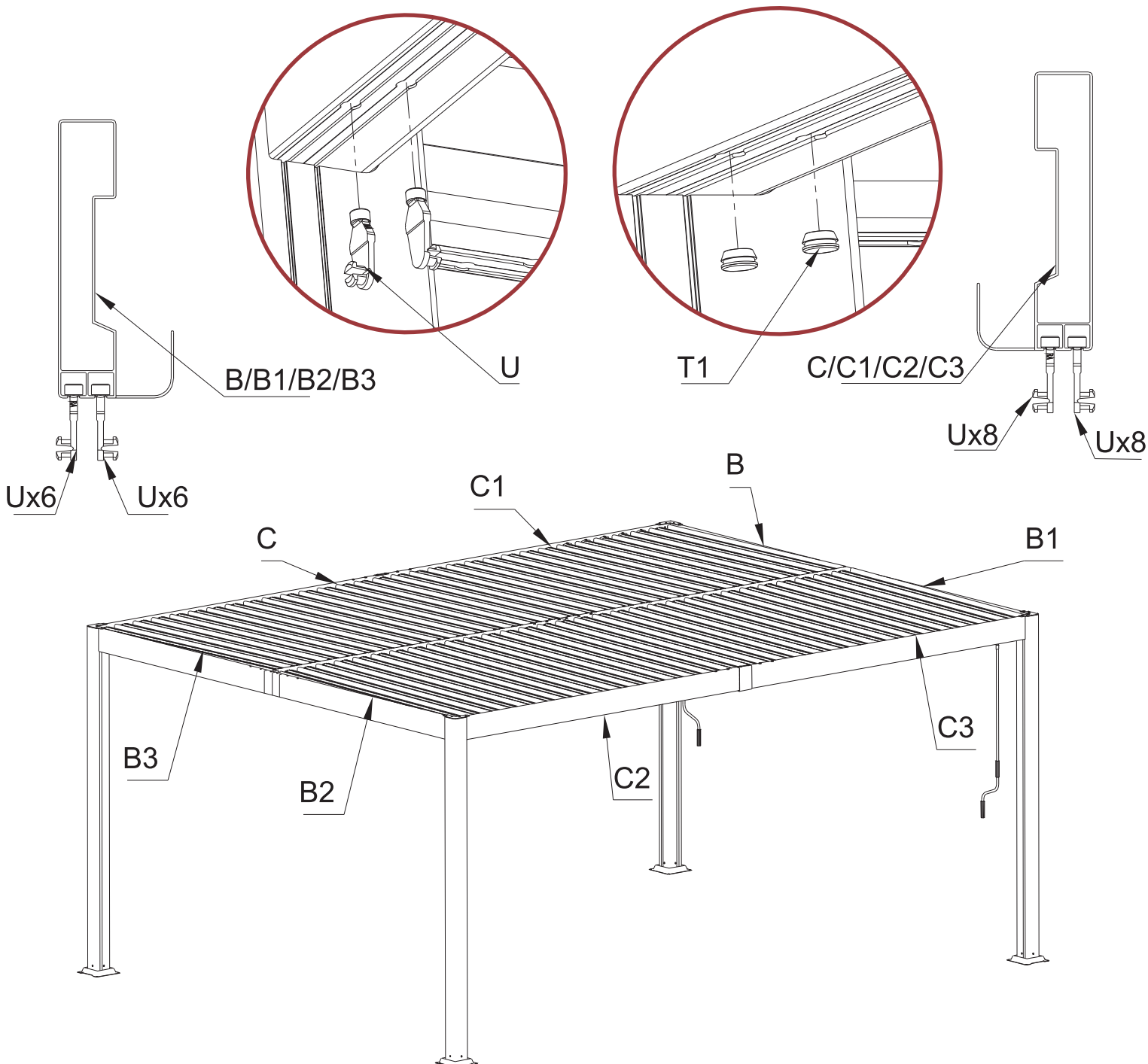


U:112

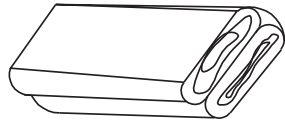


T1:16

1. Insert U(112) into the slot at the opening of the crossbeam, and then block the hole with T1(16).
2. **Attention: The plastic hook of the outer groove faces outward, and the plastic hook of the inner groove faces inward.**

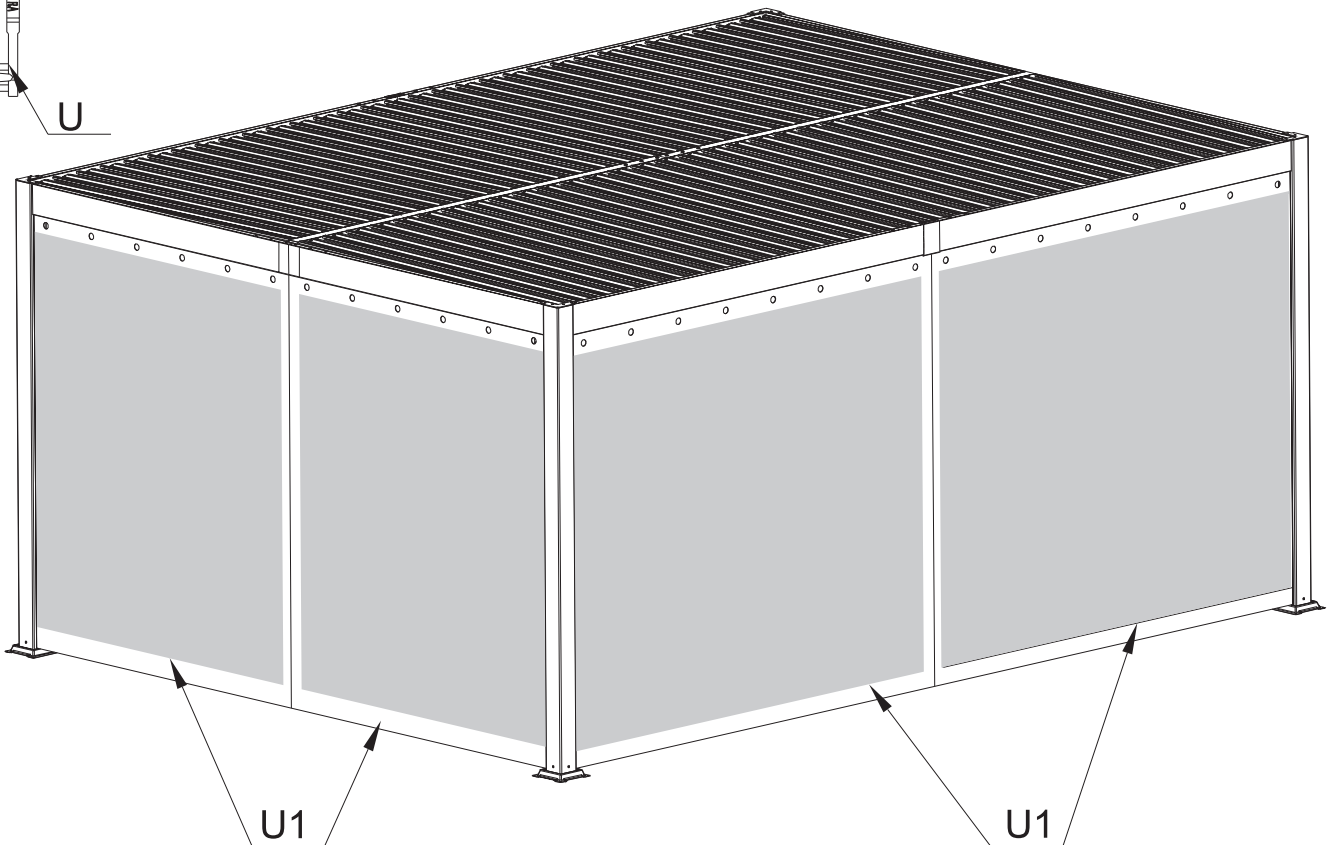
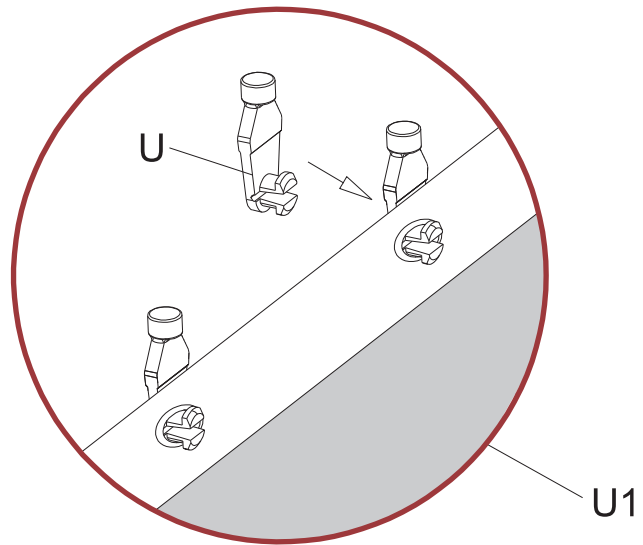
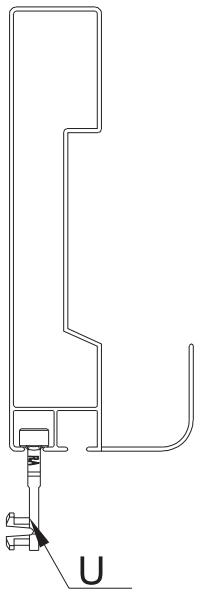


STEP 21: Install the fence

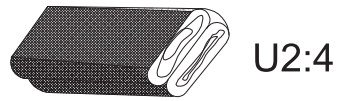


U1:4

1. Hang U1(4) .



STEP 22: Install mesh



1. Hang the mesh onto the plastic hook in the inner groove.

