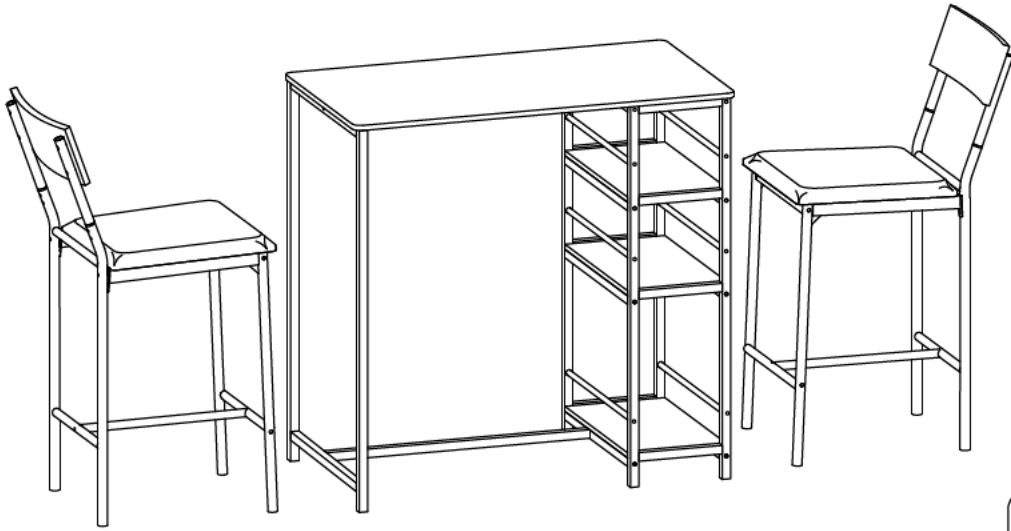

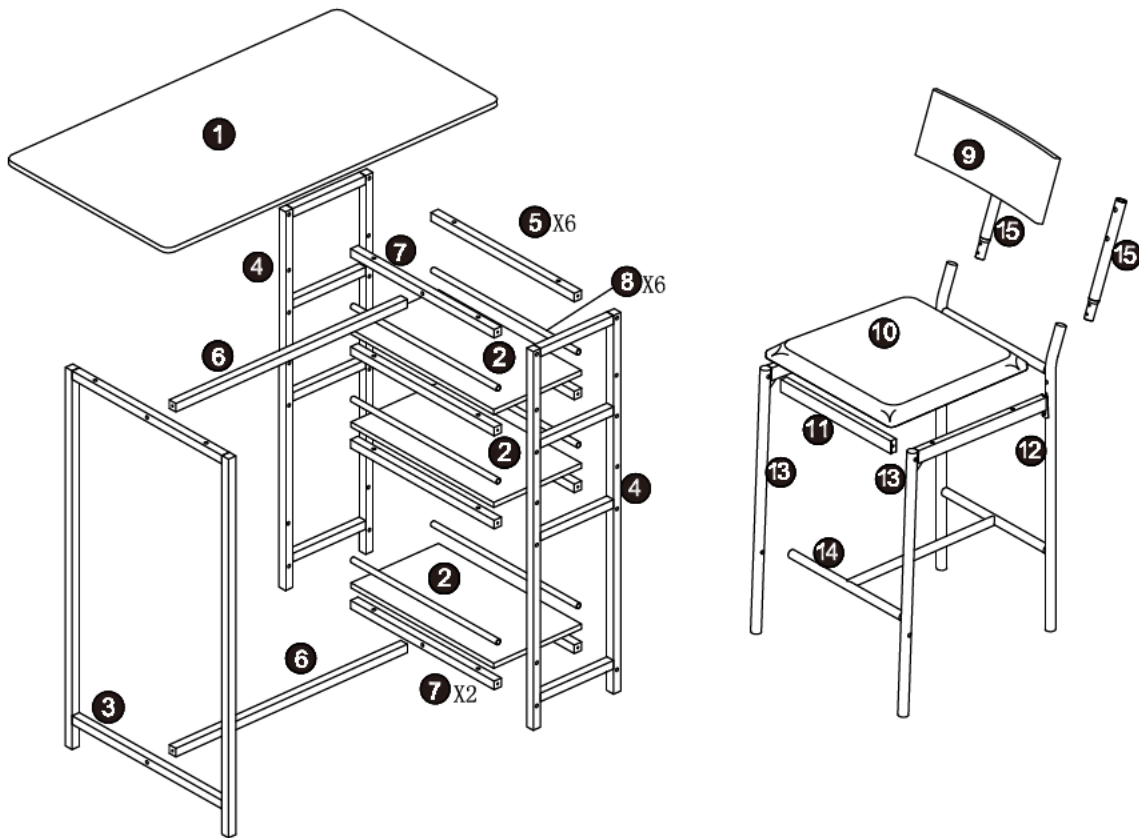


Assembly Instruction



 **Team
Assembly
Recommended**



Note: Don't tighten all screws during installation.

components ▶

	915*500mm	1	X 1
	438*240mm	2	X 3
	900*480mm	3	X 1
	900*240mm	4	X 2
	440*20mm	5	X 6
	635*20mm	6	X 2
	440*20mm	7	X 2
	Ø13*440mm	8	X 6
	380*144*34mm	9	X 2
	365/395*390mm	10	X 2
	338*30mm	11	X 2
	710*355mm	12	X 2
	615*380mm	13	X 4
	410*340mm	14	X 2
	262*22mm	15	X 4

Screws & Tools ▶

A		M6*12mm	X 12
B		M6*28mm	X 18
C		M6*30mm	X 8
D		M6*35mm	X 46
E		M6*45mm	X 8
F		4mm	X 1

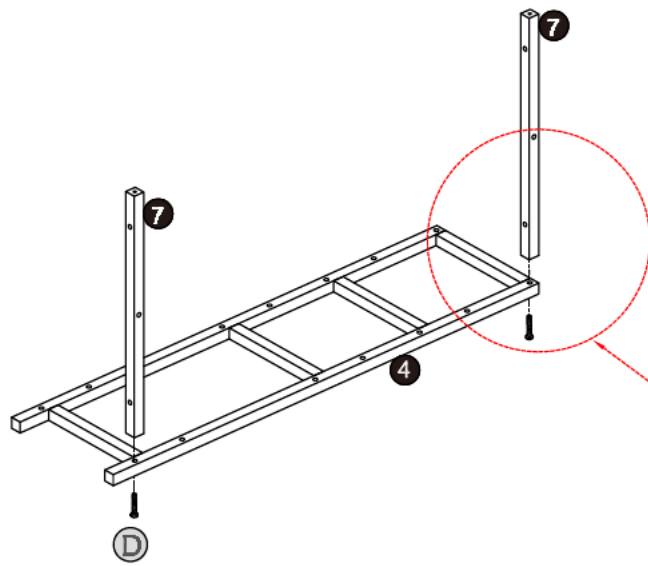
Step1:

(D) M6*35mm

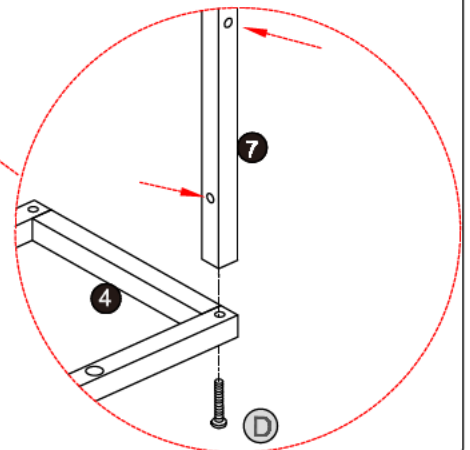


2pcs

(F) 4 mm



PLS pay Attention the holes



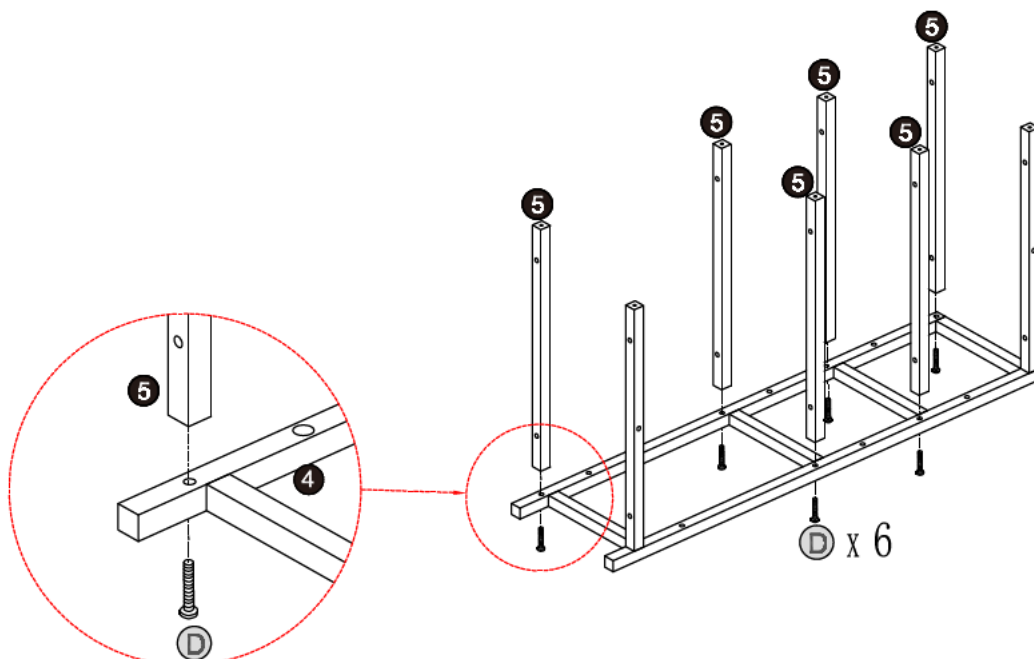
Step2:

(D) M6*35mm



6pcs

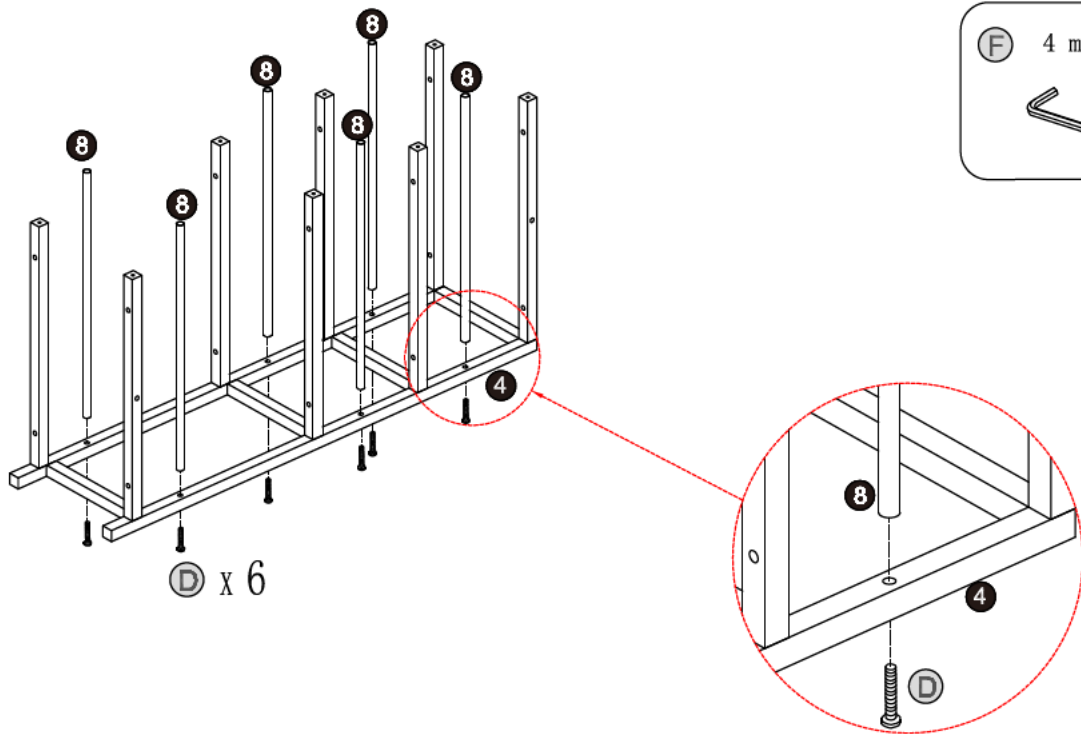
(F) 4 mm



Step3:

D M6*35mm
6pcs

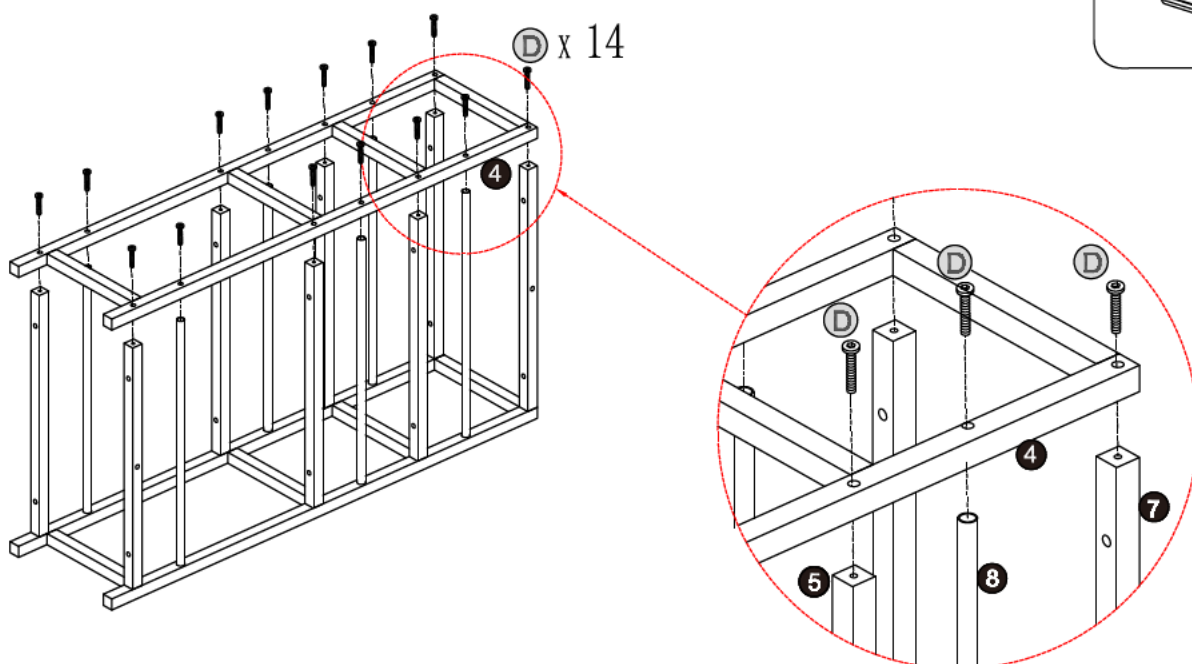
F 4 mm



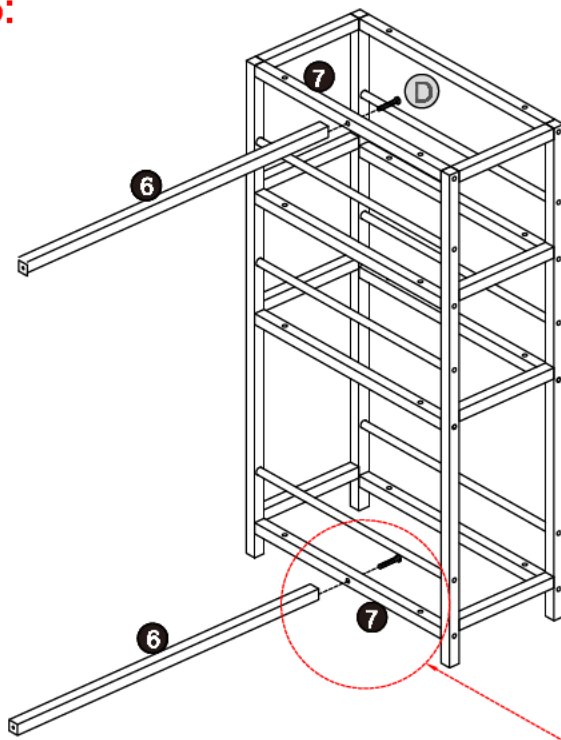
Step4:

D M6*35mm
14pcs

F 4 mm



Step5:

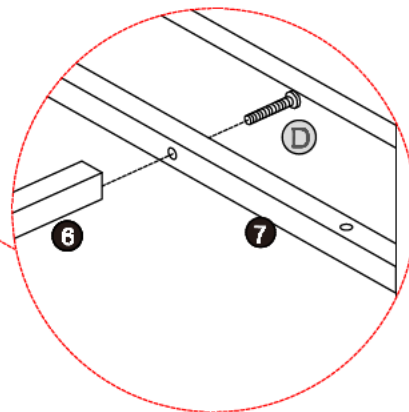


(D) M6*35mm

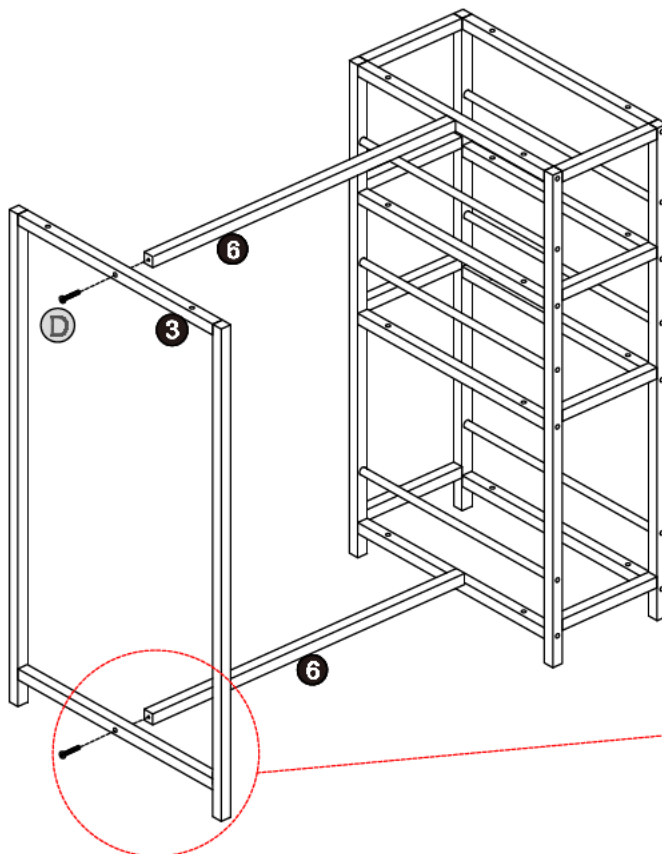


2pcs

(F) 4 mm



Step6:

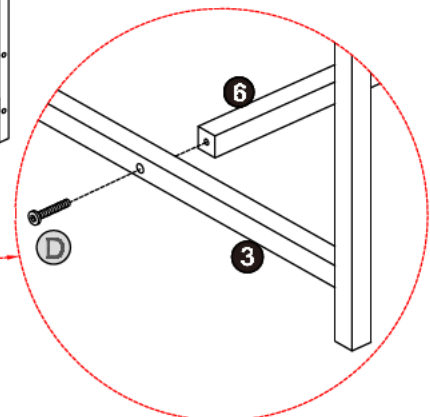


(D) M6*35mm

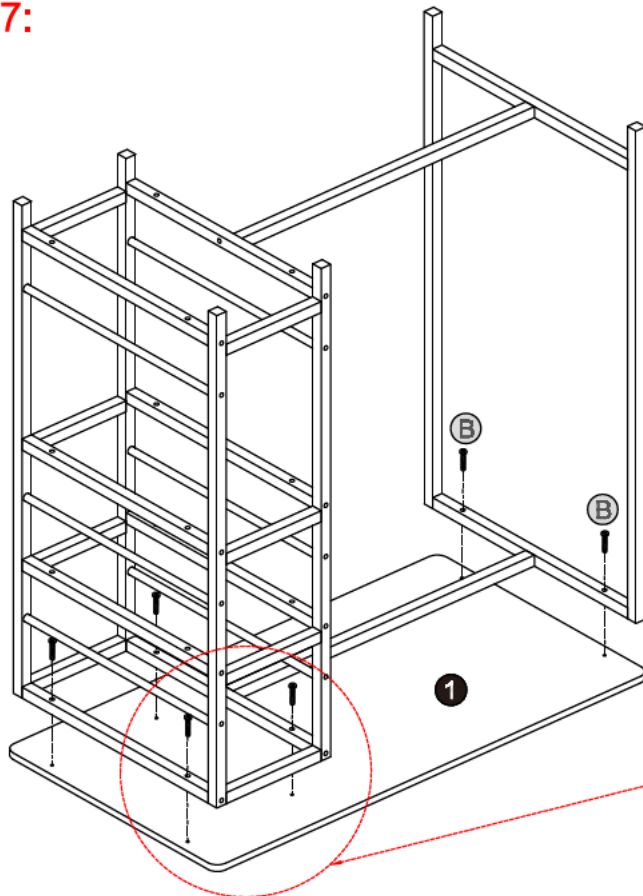


2pcs

(F) 4 mm



Step7:

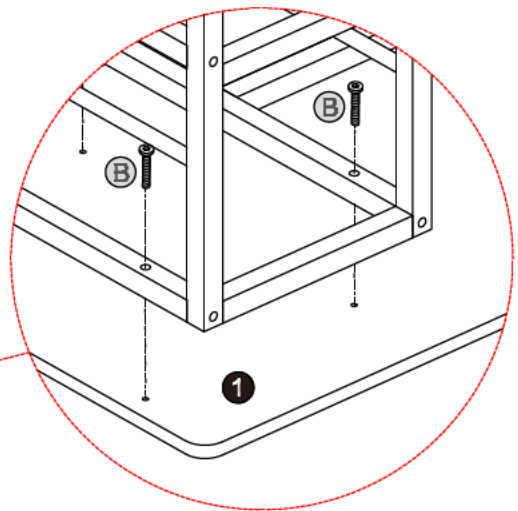


(B) M6*28mm

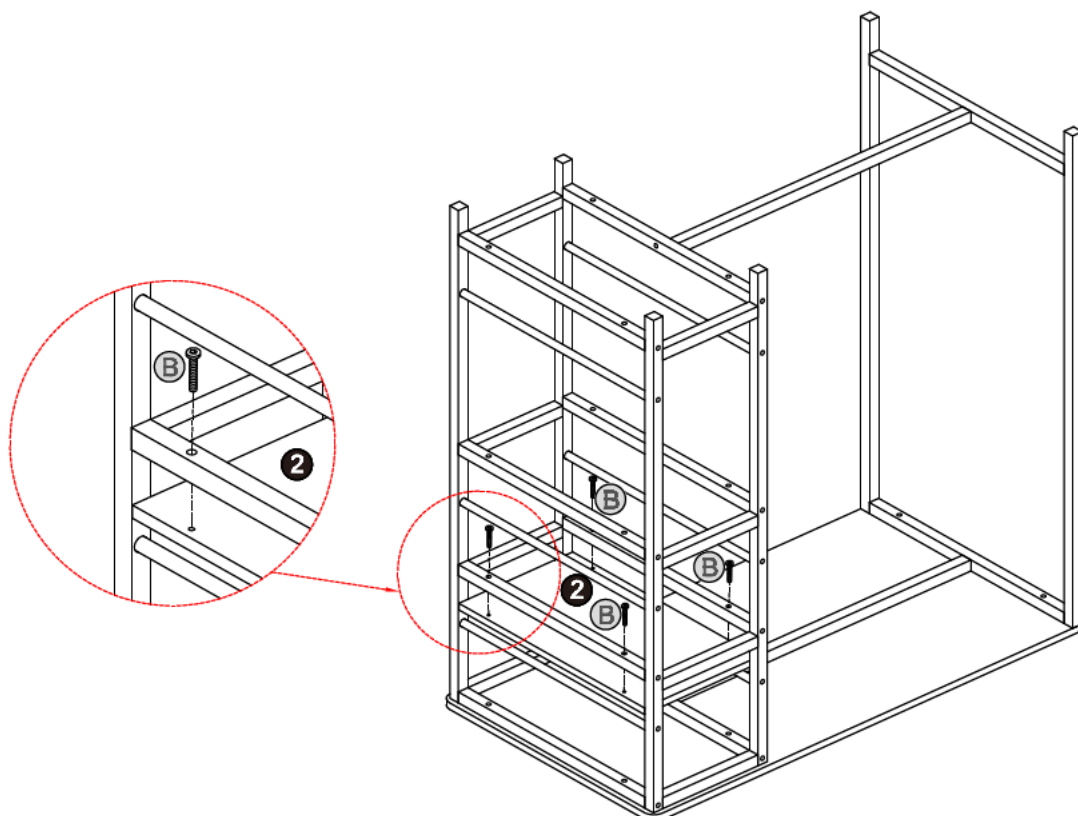


6pcs

(F) 4 mm



Step8:



(B) M6*28mm

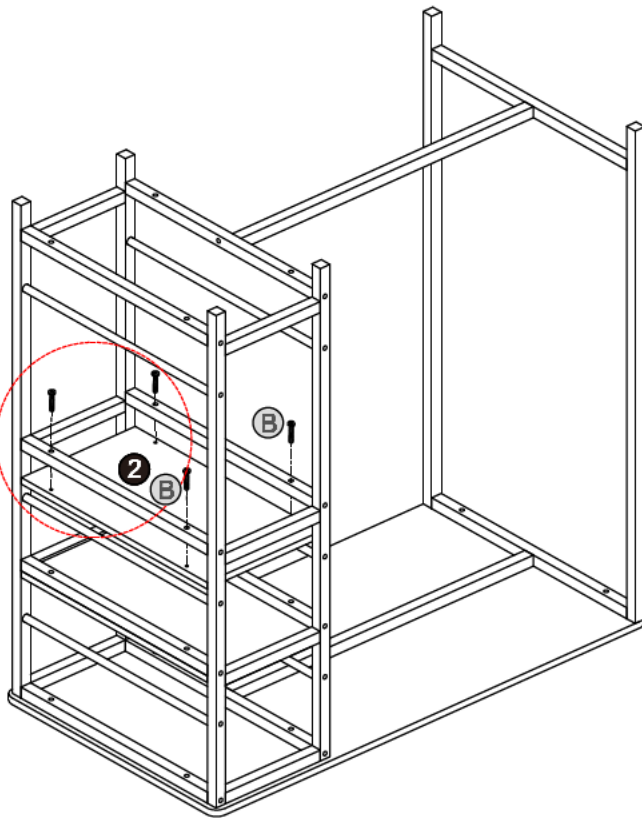
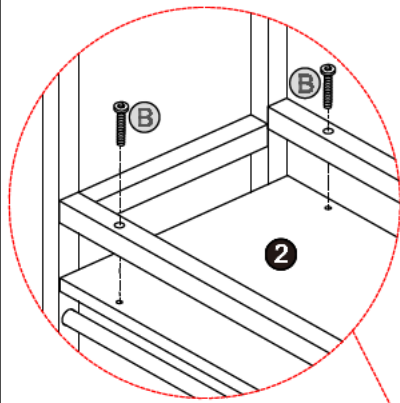


4pcs

(F) 4 mm



Step9:



Ⓑ M6*28mm



4pcs

Ⓕ 4 mm



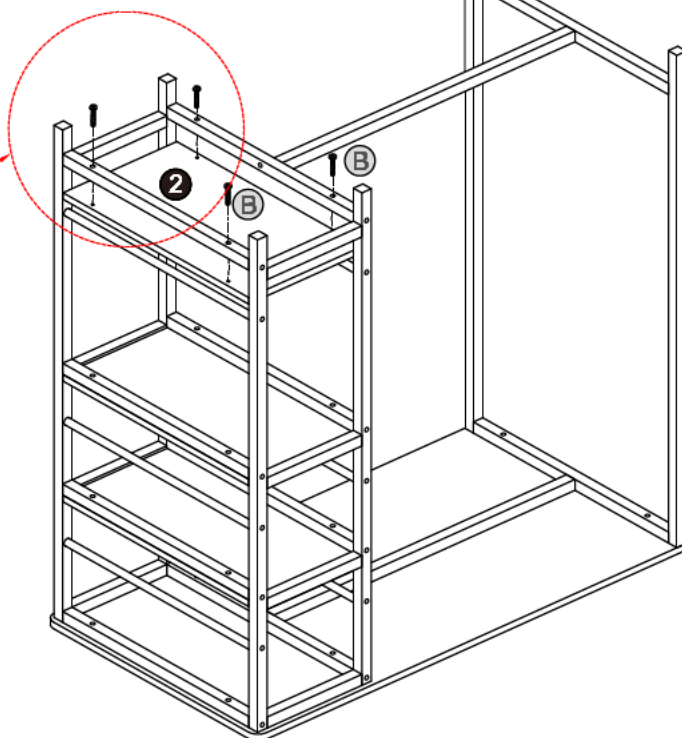
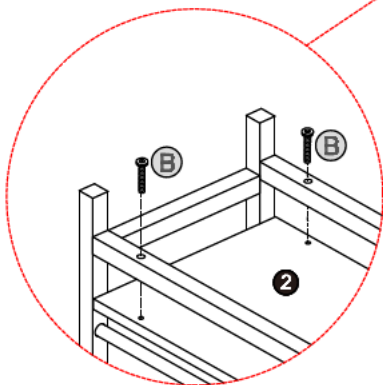
Step10:

Ⓑ M6*28mm

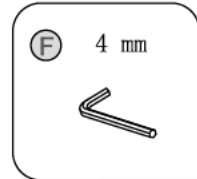
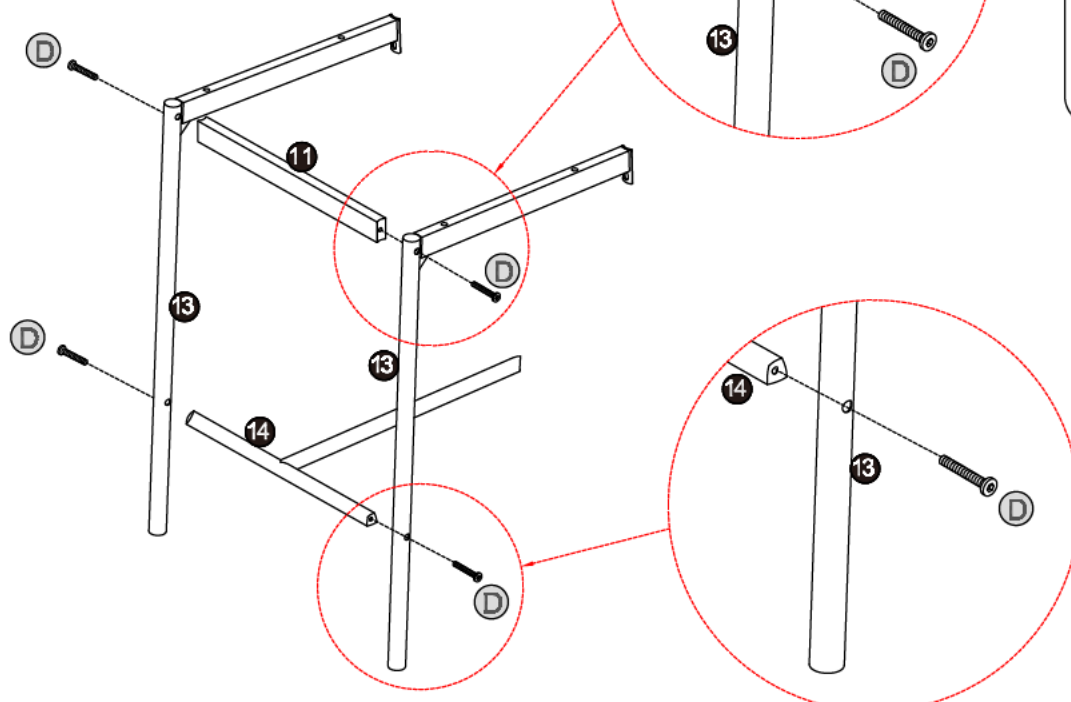


4pcs

Ⓕ 4 mm

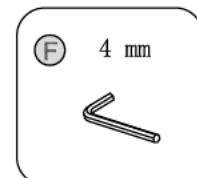
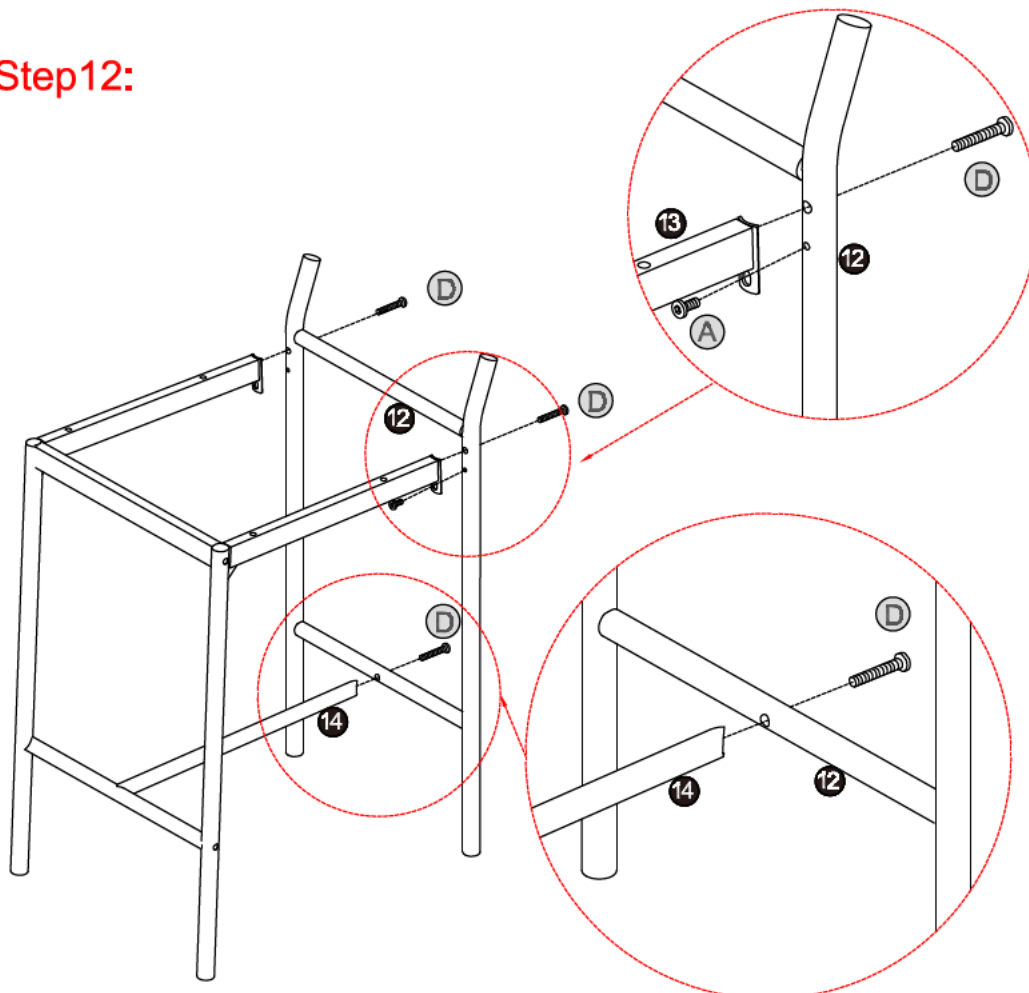


Step11:



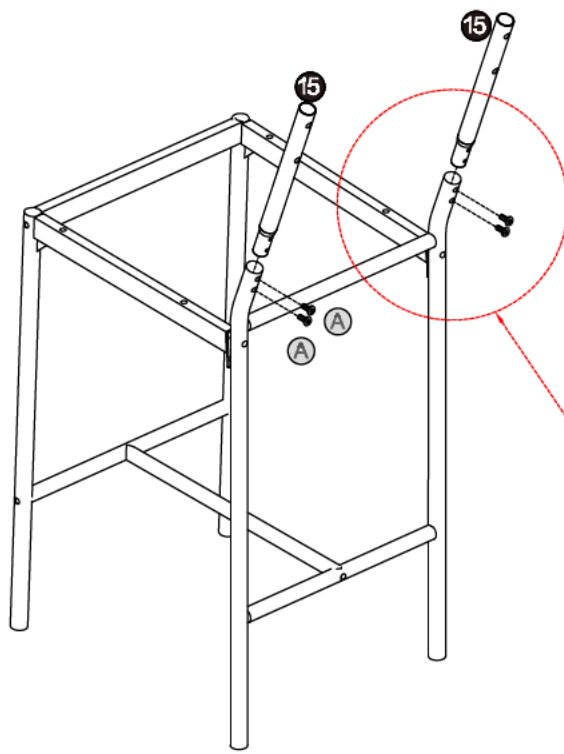
x2


Step12:




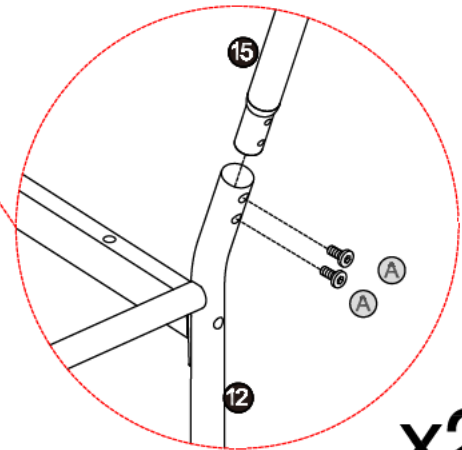
x2

Step13:



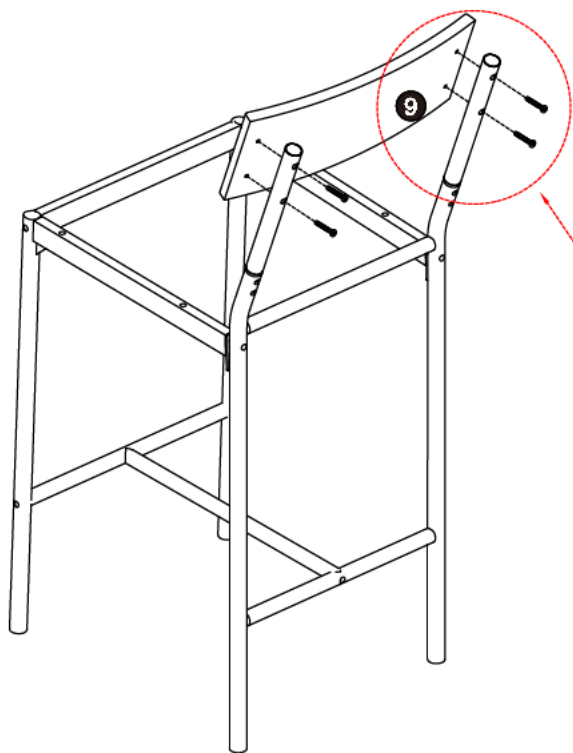
Ⓐ M6*12mm

8pcs

Ⓕ 4 mm





x2

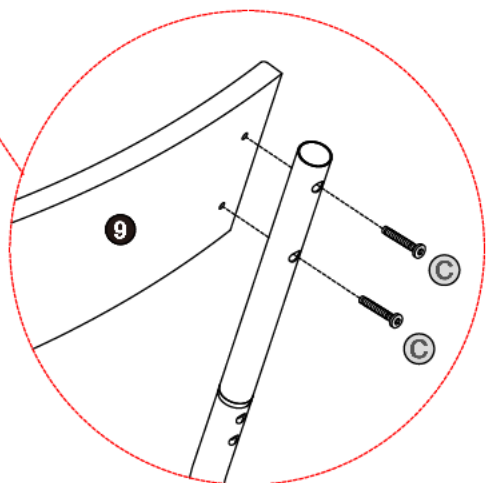
Step14:



Ⓒ M6*30mm

8pcs

Ⓕ 4 mm




x2

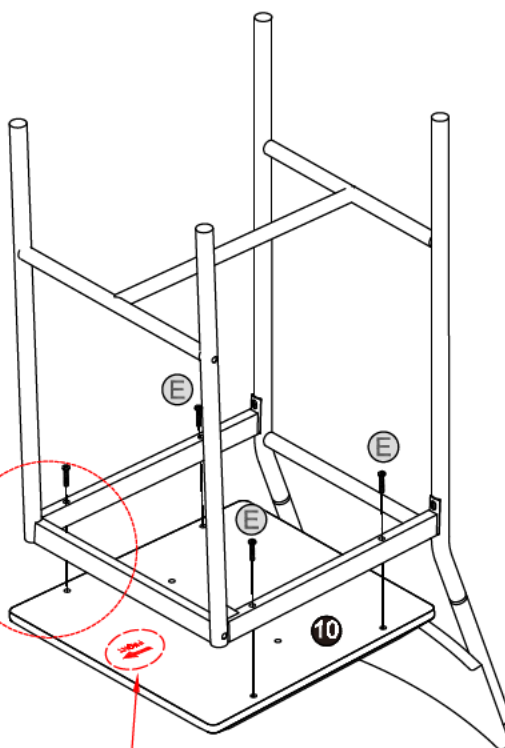
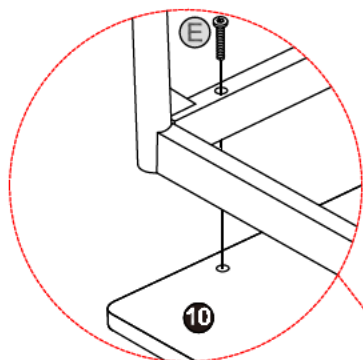
Step15:

Ⓔ M6*45mm



8pcs

Ⓕ 4 mm

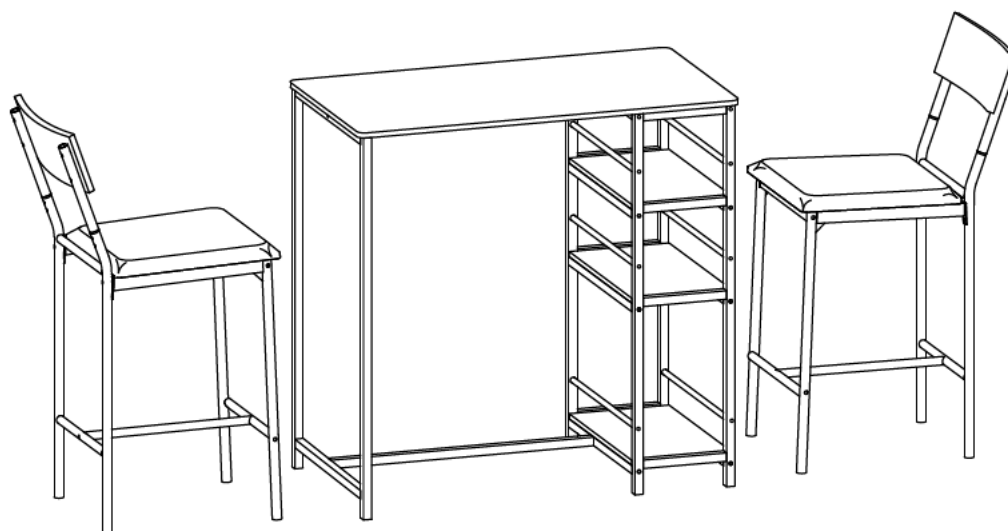


PLS pay Attention!



x2

Step16:



Note:Pls check and tighten all screws.