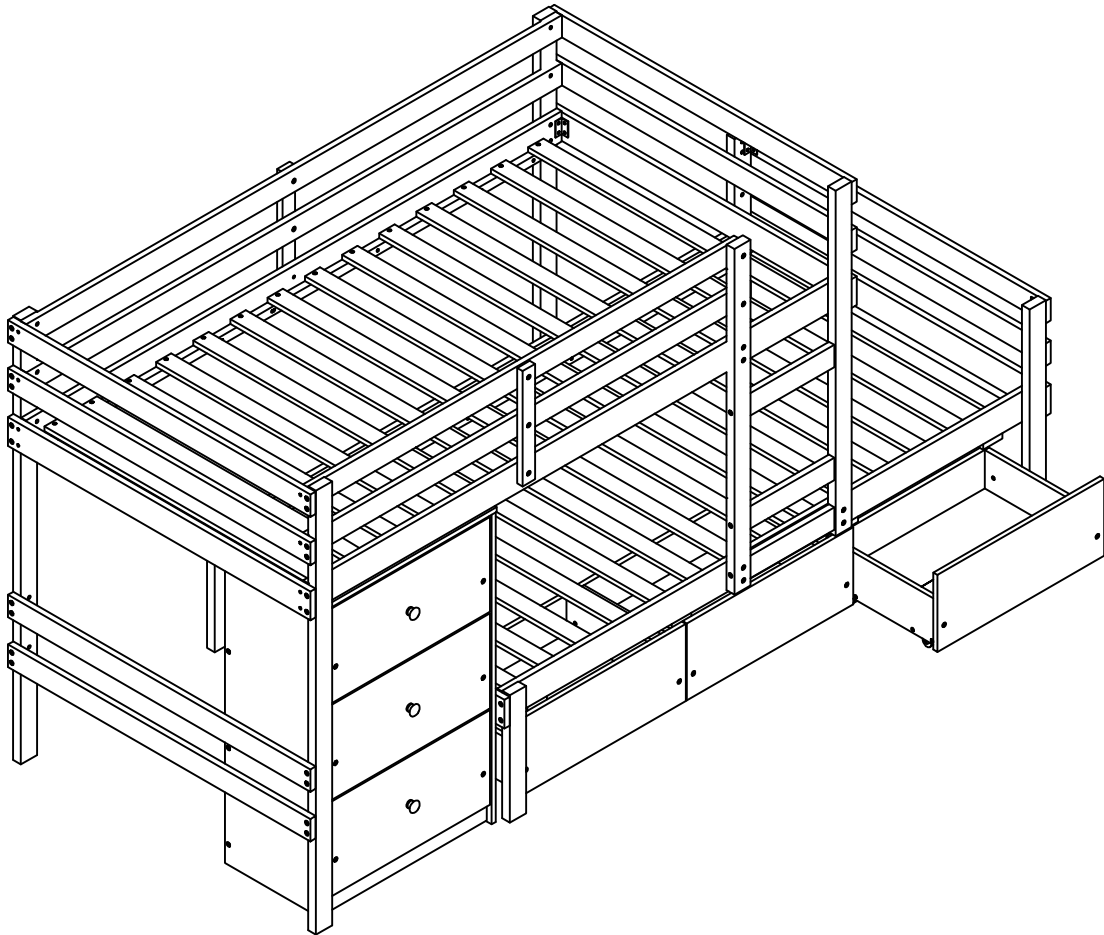


ASSEMBLY INSTRUCTIONS

BED WITH 6 DRAWERS



SAFETY WARNINGS AND GENERAL NOTES:

Follow the information on the warnings on the bunk bed end structure and on the carton. Do not remove the warning label from the bed. Always use the recommended size mattress on mattress support, or both, to help prevent the likelihood of entrapment or falls.

The top surface of the mattress must be at least 5*inch (127mm) below the upper edge of the guardrail.

Do not allow children under 6 years of age to use the upper bunk.

Periodically check and ensure the guardrail, ladder and other components are in their proper position, free from damage, and all connectors are tight.

Do not allow horseplay on or under beds.

Always prohibit jumping on the bed.

Prohibit more than one person on upper bunk.

Always use the ladder for entering and leaving the upper bunk.

Do not use substitute parts. Contact the manufacturer or dealer for replacement parts.

Use of a night-tight may provide added safety precaution for a child using the upper bunk.

Always use guardrails on both long sides of the upper bunk.

If the bunk bed will be placed next to a wall, the guardrail that runs the full length of the bed should be placed against the wall to prevent entrapment between the bed and the wall.

The use of water or sleep flotation mattresses is prohibited.

STRANGULATION HAZARD-Never attach or hang items to any part of the bunk bed that are not designed for use with the bed.

Keep these instructions for future reference.

We recommend assembling your bunk bed on the shipping carton to protect your floor or carpet.

Be certain all staples are out of the box before beginning assembly on the shipping carton.

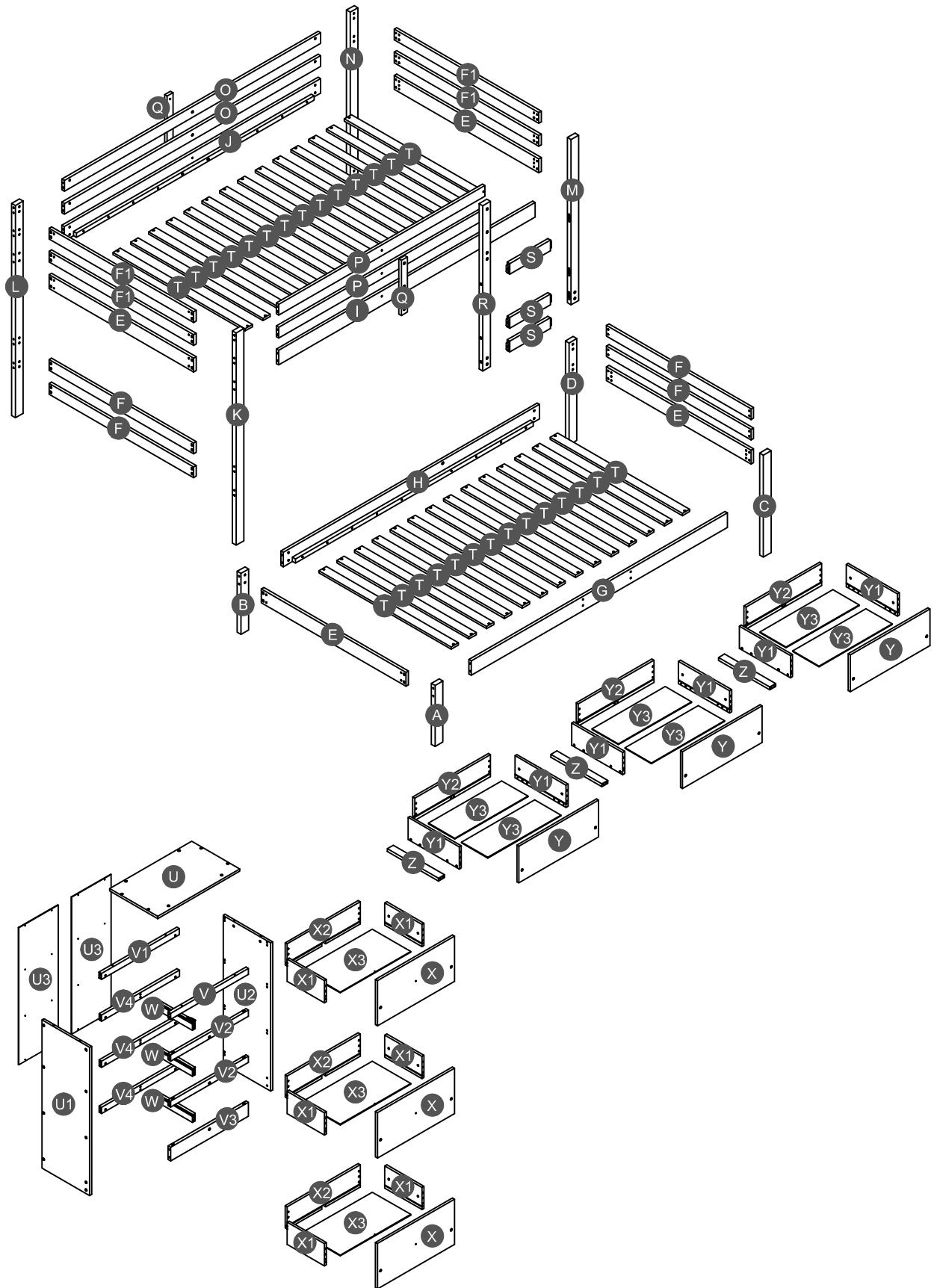
USE ONLY MATTRESSES WHICH ARE 74"-75" LONG AND 38 1/2" WIDE ON UPPER AND ON LOWER BUNKS. ENSURE THICKNESS OF MATTRESS DOES NOT EXCEED 6".

SURFACE OF MATTRESS MUST BE AT LEAST 5" (127MM) BELOW THE UPPER EDGE OF GUARDRAILS.

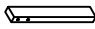
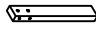
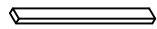
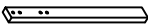
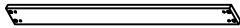


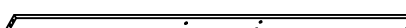

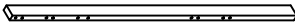
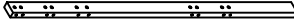

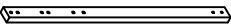

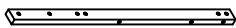
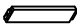
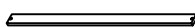


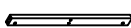



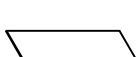

Replacement Parts:

Replacement Parts, including additional guardrails, may be obtained from any of our (GIGACLOUD TECHNOLOGY (USA) INC. 18961 ARENTH AVENUE, CITY OF INDUSTRY , CA, 91748.) dealers

Detail View

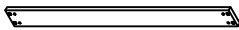
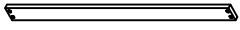
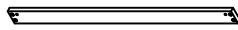
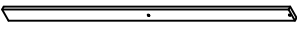



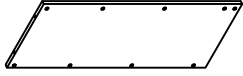

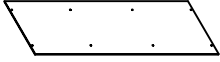
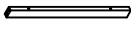
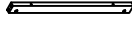

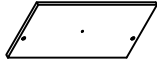
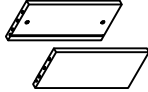

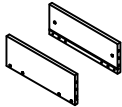


Part List

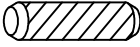
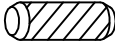

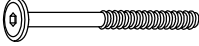
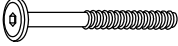











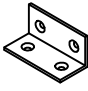

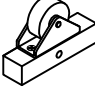
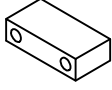
<p>A</p>  <p>Lower leg (Left Front) - 1pc</p>	<p>B</p>  <p>Lower leg (Left Back) - 1pc</p>	<p>C</p>  <p>Lower leg (Right Front) - 1pc</p>
<p>D</p>  <p>Lower leg (Right Back) - 1pc</p>	<p>E</p>  <p>Horizontal bar - 2pcs</p>	<p>G</p>  <p>Lower side rail (front) - 1pc</p>
<p>H</p>  <p>Lower side rail (back) - 1pc</p>	<p>I</p>  <p>Upper side rail (front) - 1pc</p>	<p>J</p>  <p>Upper side rail (back) - 1pc</p>
<p>K</p>  <p>Upper leg (Left Front) - 1pc</p>	<p>L</p>  <p>Upper leg (Left Back) - 1pc</p>	<p>M</p>  <p>Upper leg (Right Front) - 1pc</p>
<p>N</p>  <p>Upper leg (Right Back) - 1pc</p>	<p>O</p>  <p>Long guard rail (back) - 2pcs</p>	<p>R</p>  <p>Vertical bar support - 1pc</p>
<p>S</p>  <p>Step ladder - 3pcs</p>	<p>T</p>  <p>Slat - 14pcs</p>	<p>V2</p>  <p>Divider horizontal bar(front) - 2pcs</p>
<p>V3</p>  <p>Lower horizontal bar(front) - 1pc</p>	<p>V4</p>  <p>Lower horizontal bar (back) - 3pcs</p>	<p>X2</p>  <p>Drawer back - 3pcs</p>
<p>Y</p>  <p>Drawer front - 3pcs</p>	<p>Y2</p>  <p>Drawer back - 3pcs</p>	<p>Y3</p>  <p>Drawer bottom - 6pcs</p>
<p>Z</p>  <p>Support drawer - 3pcs</p>		

Part List

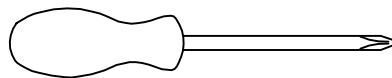
Hardware List

<p>E</p>  <p>Horizontal bar - 2pcs</p>	<p>F</p>  <p>Horizontal bar - 4pcs</p>	<p>F1</p>  <p>Upper horizontal bar - 4pcs</p>
<p>P</p>  <p>Short guard rail (front) - 2pcs</p>	<p>Q</p>  <p>Vertical guard rail - 2pcs</p>	<p>T</p>  <p>Slat - 14pcs</p>
<p>U</p>  <p>Top panel - 1pc</p>	<p>U1</p>  <p>Left side panel -1pc</p>	<p>U2</p>  <p>Right side panel -1pc</p>
<p>U3</p>  <p>Back panel - 2pcs</p>	<p>V</p>  <p>Horizontal bar (front) - 1pc</p>	<p>V1</p>  <p>Horizontal bar (back) - 1pc</p>
<p>W</p>  <p>Support drawer - 3pcs</p>	<p>X</p>  <p>Drawer front - 3pcs</p>	<p>X1</p>  <p>Drawer (left/right) - 6pcs</p>
<p>X3</p>  <p>Drawer bottom - 3pcs</p>	<p>Y1</p>  <p>Side drawer (left/right) - 6pcs</p>	

Hardware List

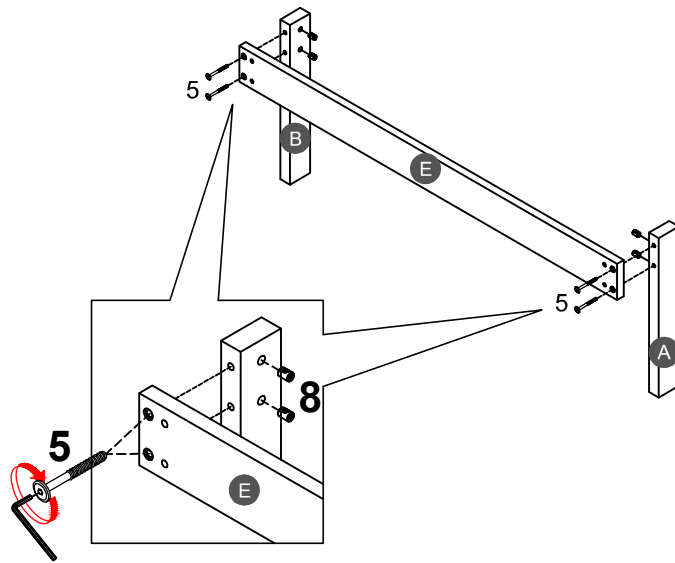
1  Ø10*40mm Wood dowel (6pcs)	2  Ø8*30mm Wood dowel (82pcs)	3  (Ø15)1/4"*100mm Hex-Head bolts (6pcs)
4  (Ø15)1/4"*80mm Hex-Head bolts (22pcs)	5  (Ø12)1/4"*60mm Hex-Head bolts (100pcs)	6  (Ø12)1/4"*40mm Hex-Head bolts (10pcs)
7  (Ø12)1/4"*30mm Hex-Head bolts (6pcs)	8  1/4"*15 (9.5mm) Horizontal-Hole bolts(128pcs)	9  Ø4*30mm Wood screws (88pcs)
10  (1/4")4.5*58mm Allen key (1pc)	11  Ø38*31mm Pine Knob (3pcs)	12  3/16"*25mm Ph zinc(Knob) (3pcs)
13  295*30mm Upper slider drawer (3pcs)	14  Ø3.5*15mm Wood screws (37pcs)	15  Ø3.5*15mm Wood screws (16pcs)
16  (Ø12)1/4"*40mm Hex-Head bolts (4pcs)	17  40*18*18*2mm Metal bracket (7pcs)	18  Ø10*20mm Wood dowel (12pcs)
19  100*54*20 mm Wheels (12pcs)	20  70*35*19 mm Drawer stopper (4pcs)	



ASSEMBLY TOOLS REQUIRED (NOT INCLUDED)



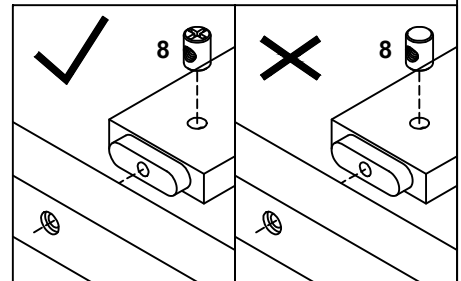
PLEASE BE CAREFUL DO NOT DAMAGE THE HOLE POSITION WHEN YOU USE POWER TOOLS !

STEP 1:

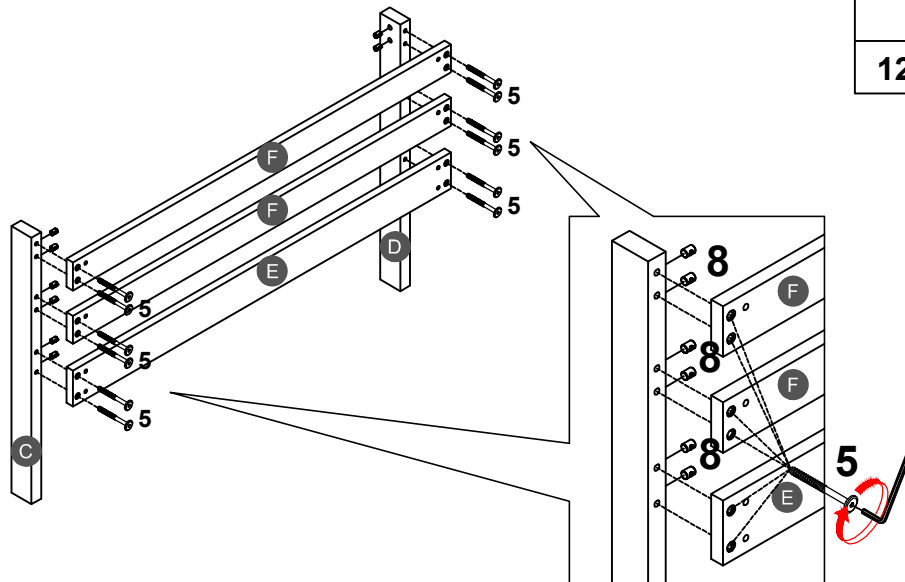




5		8	
4PCS		4PCS	

Note: Part 8 will face up with the "x" mark on it, otherwise it cannot be tightened

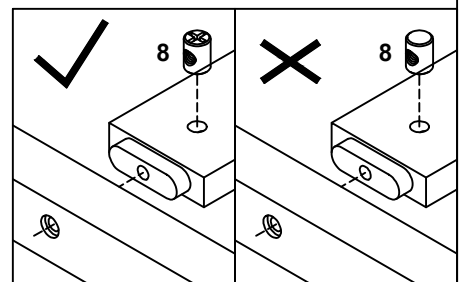


STEP 2:





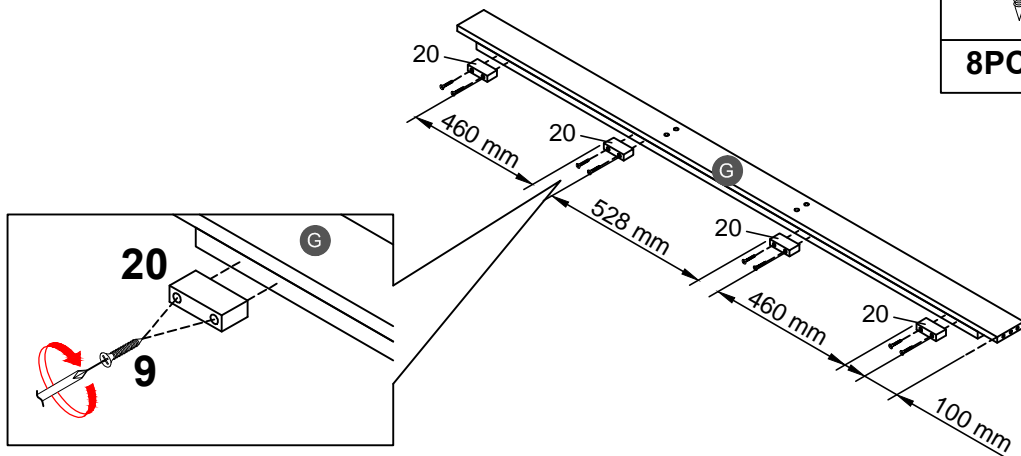
5		8	
12PCS		12PCS	

Note: Part 8 will face up with the "x" mark on it, otherwise it cannot be tightened



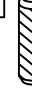



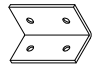
STEP 3:

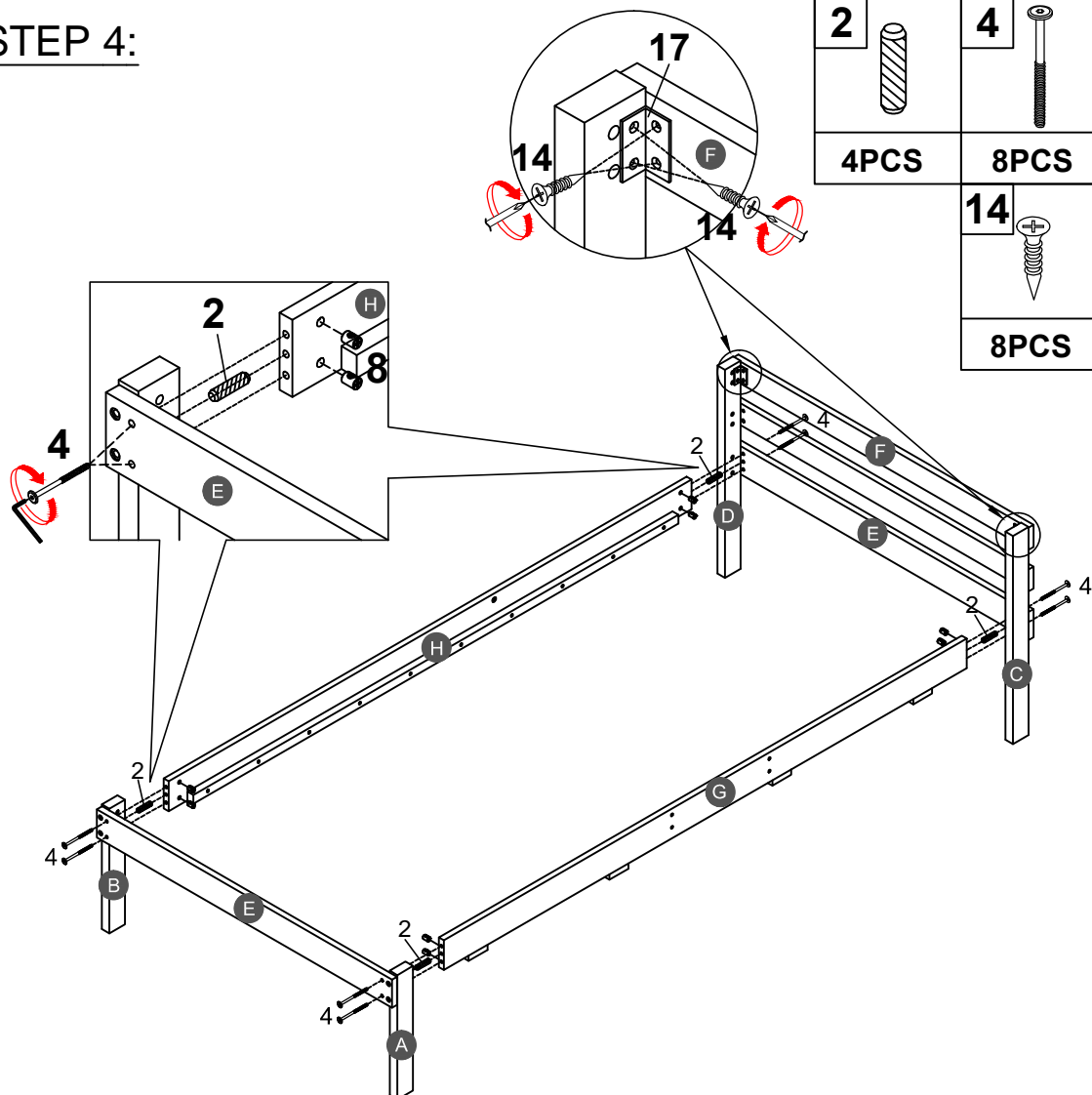
9		20	
8PCS		4PCS	



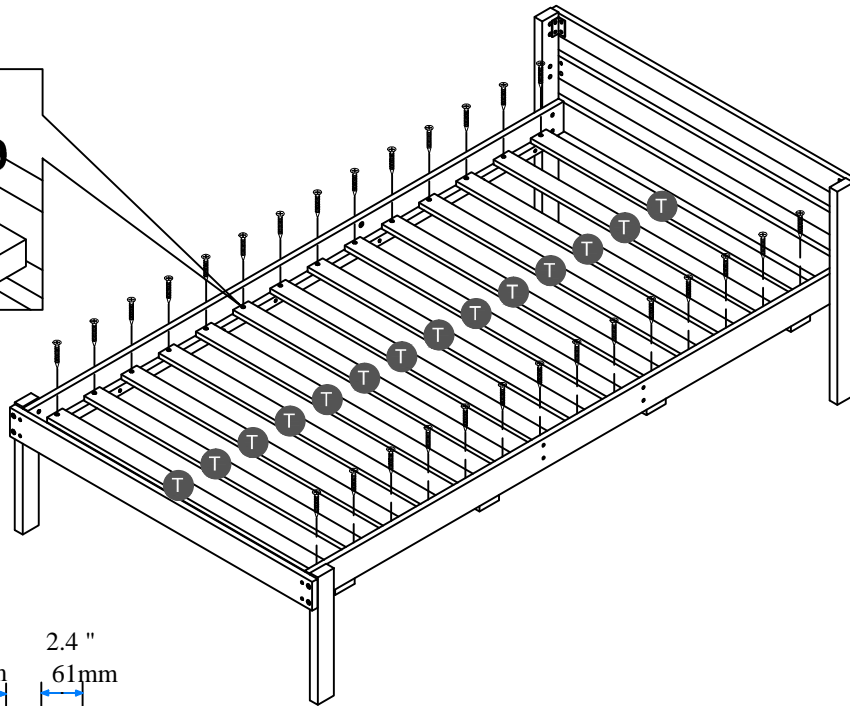
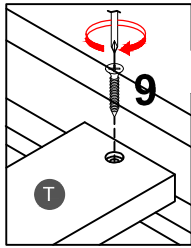
Drawer stopper (20) with lower side rail front (G) by using screw (9).

STEP 4:

2		4		8	
4PCS		8PCS		8PCS	
		14		17	
		8PCS		2PCS	



STEP 5:

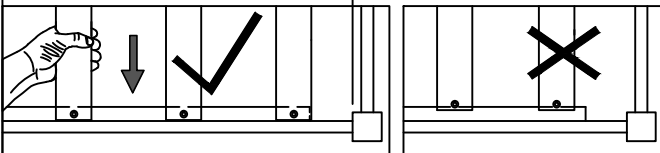


9



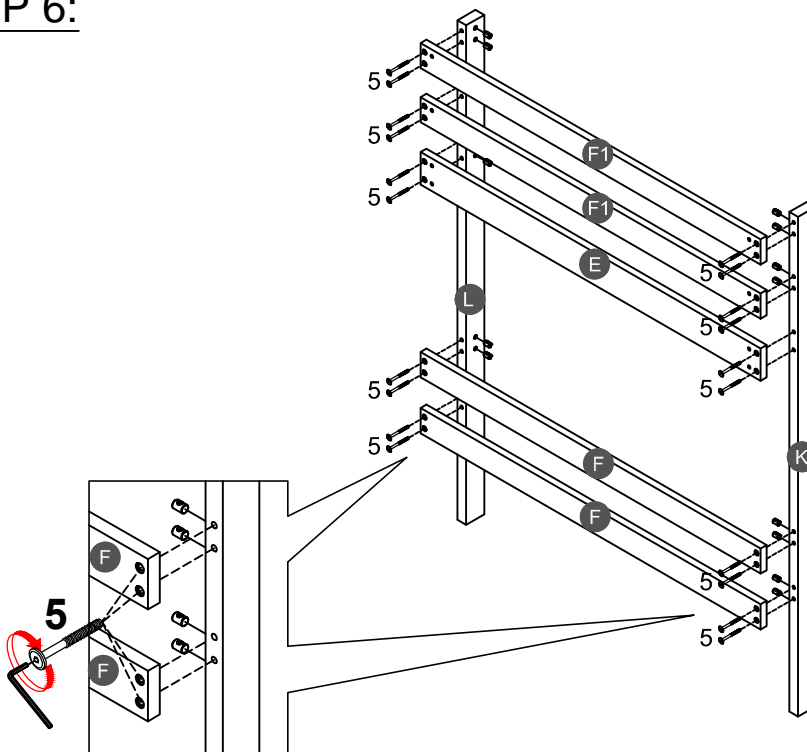
28PCS

3.1 " 79mm 3.3 " 84.5mm 2.4 " 61mm



Note: Do not lock the screws of the bed slats to the outermost edge of the bed slats, you need to leave a certain space at the edges, otherwise it will cause the board to break.
Do not lock the bed slats on the edge of the wood, please hold firmly before screwing, hold it in place with one hand, then lock the screw.

STEP 6:



5



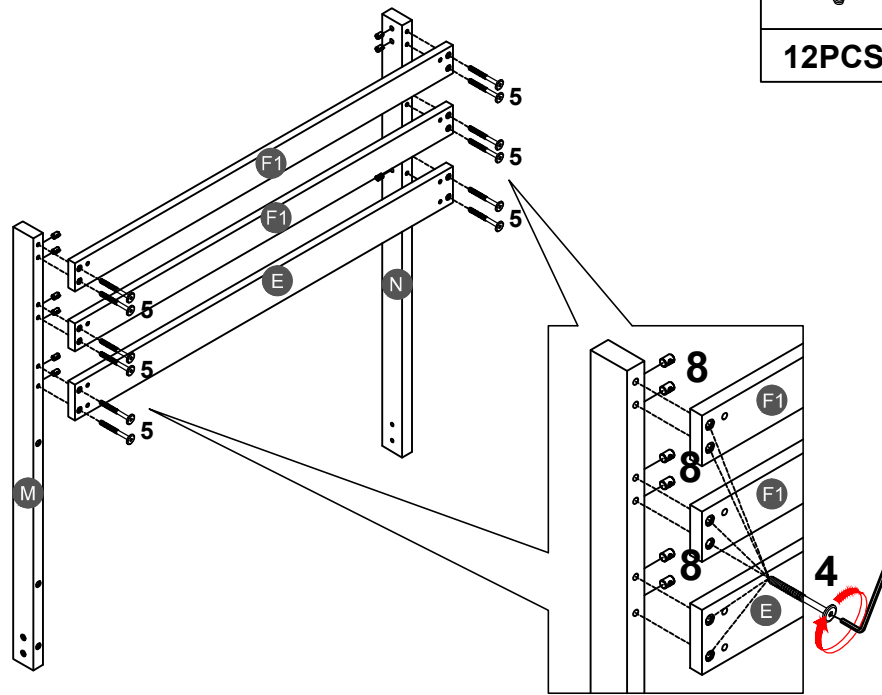
20PCS



8



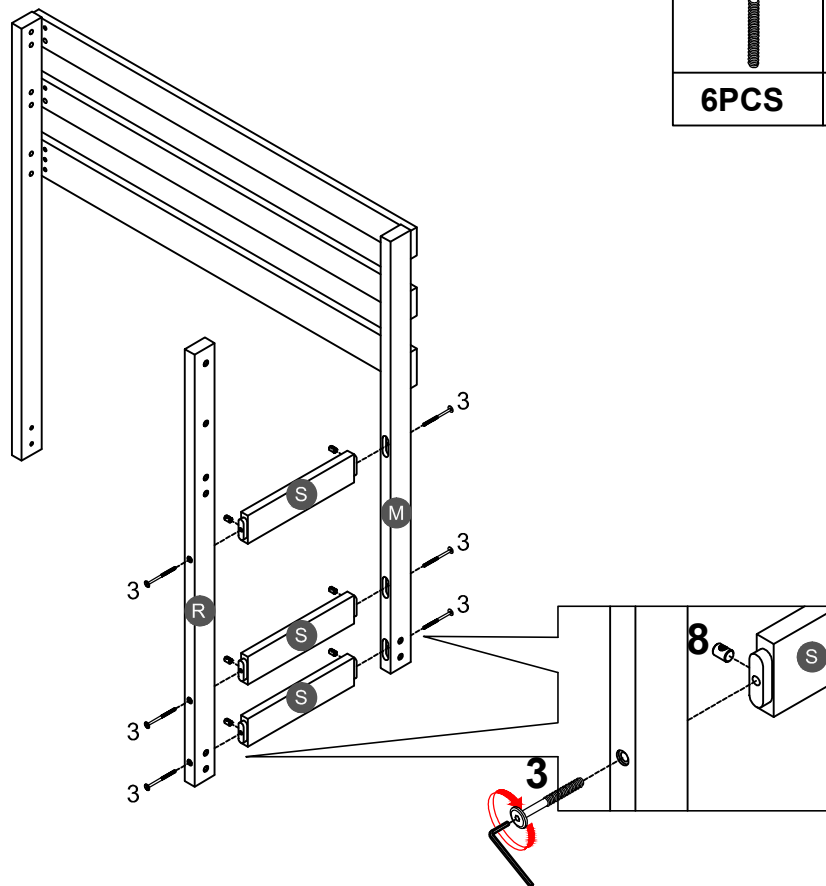
20PCS



STEP 7:



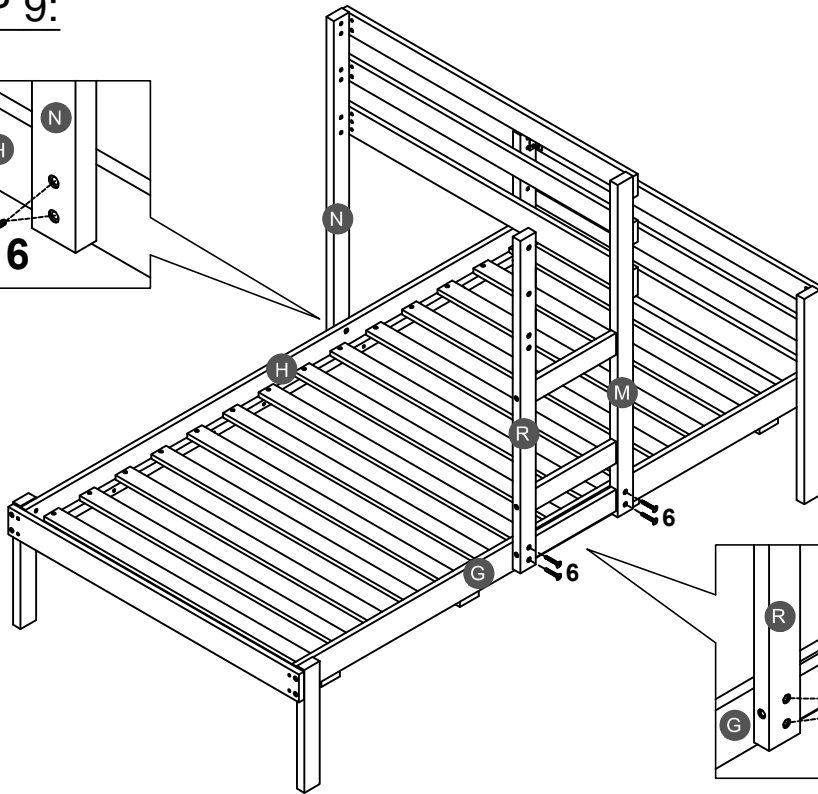
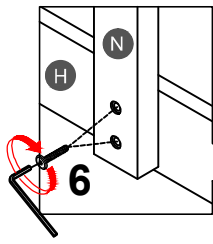
5		8	
12PCS		12PCS	

STEP 8:

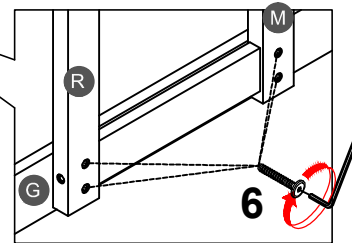


3		8	
6PCS		6PCS	

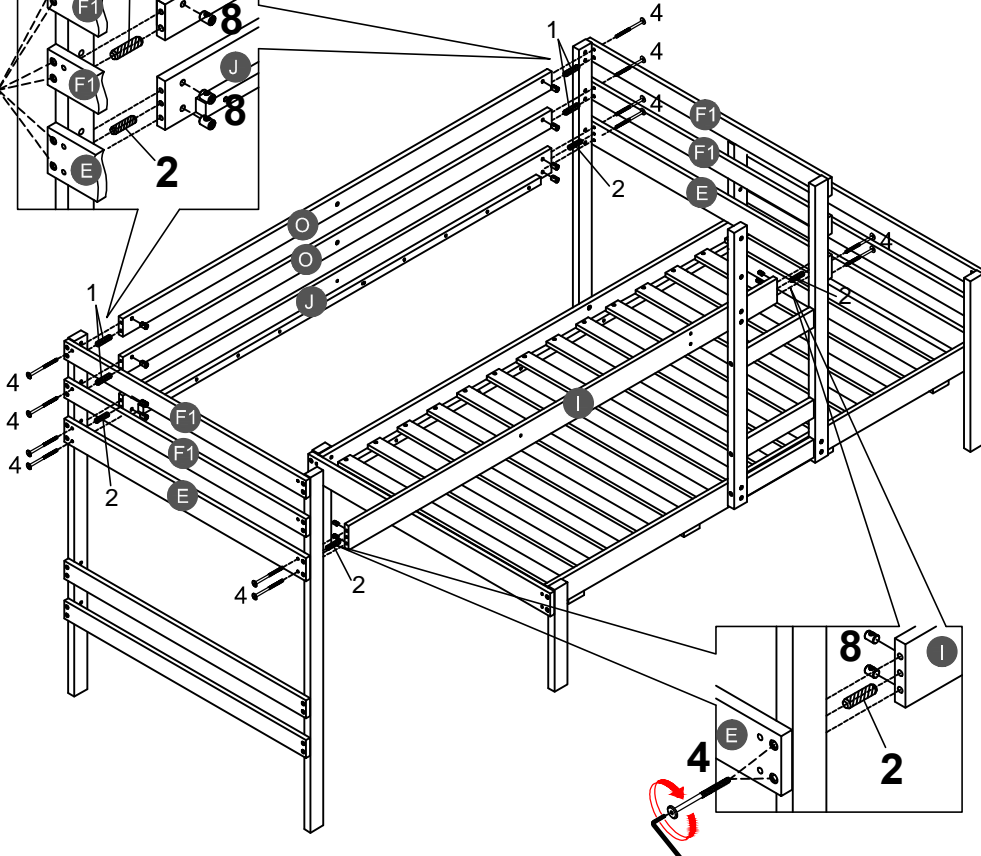
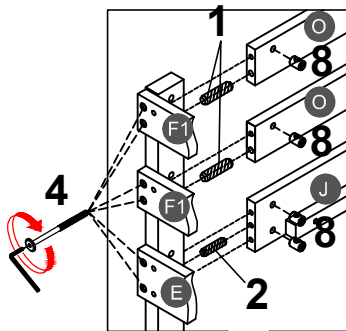
STEP 9:



6	
6PCS	

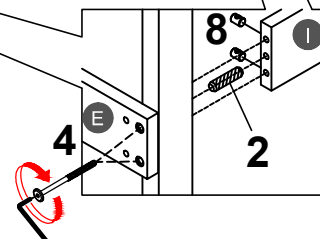


STEP 10:

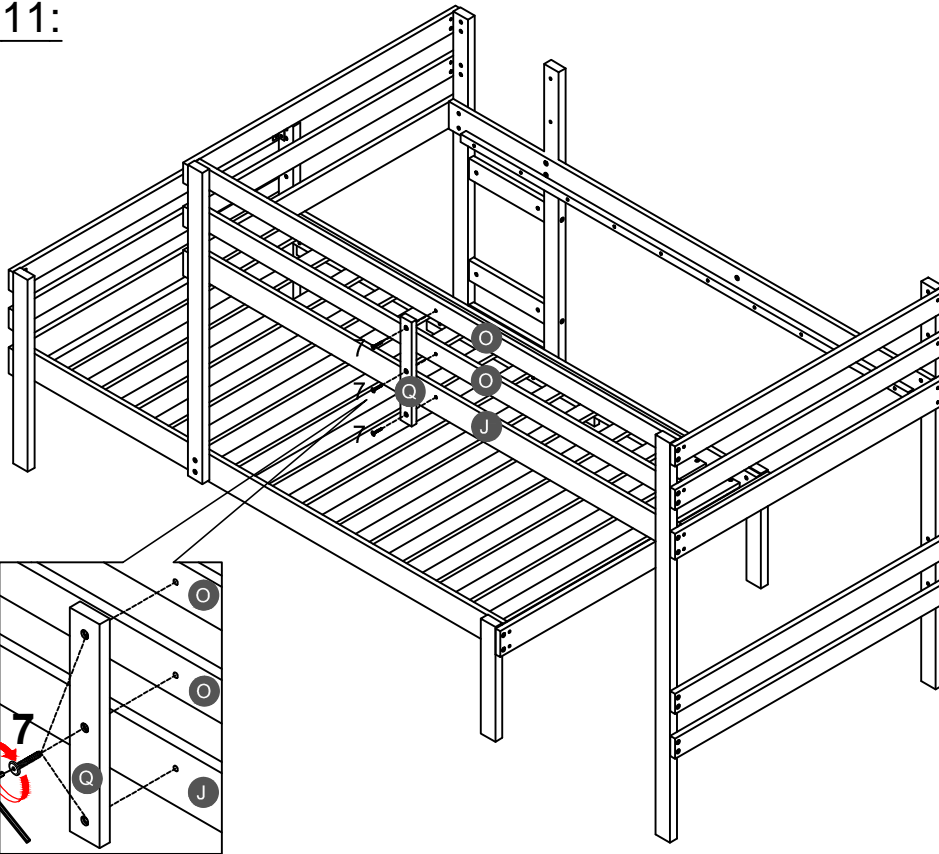


1		2		4	
4PCS		4PCS		12PCS	

8	
12PCS	



STEP 11:

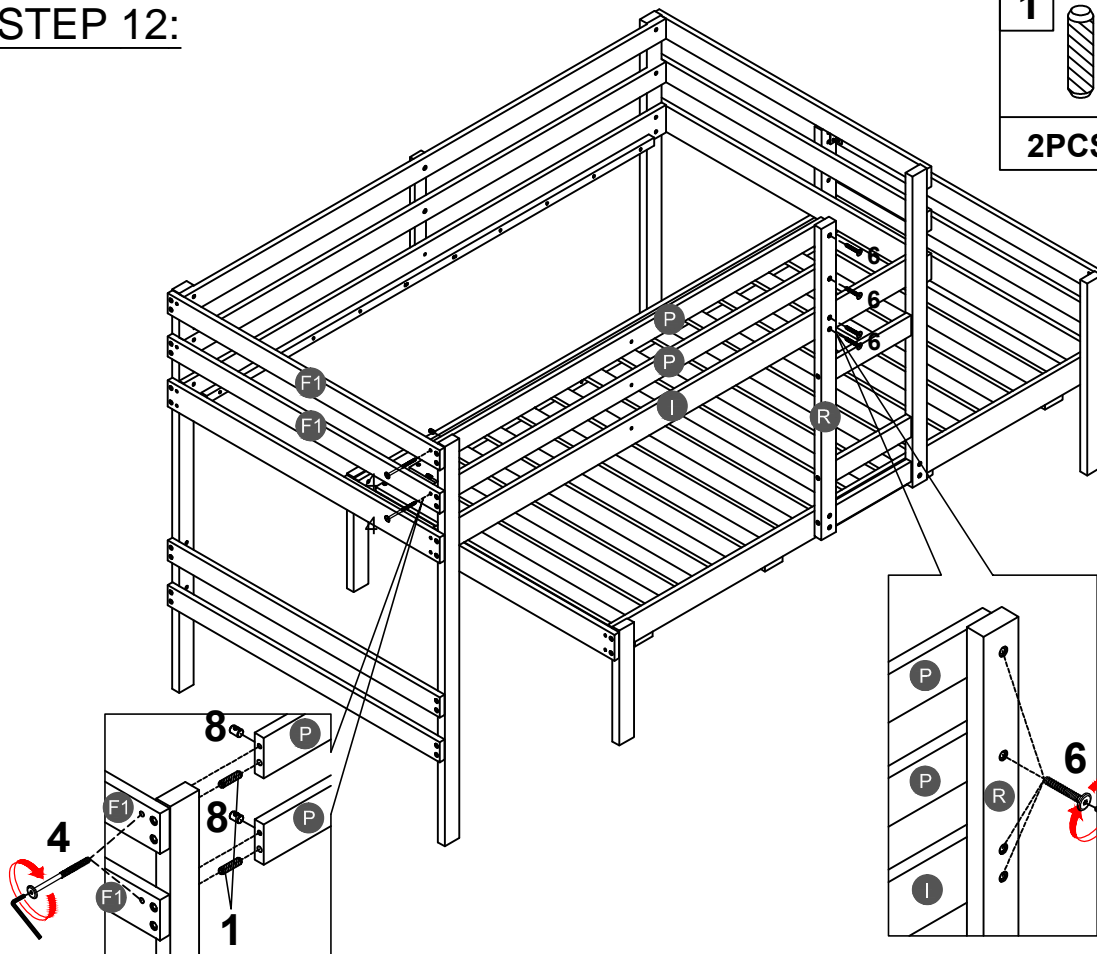


7



3PCS

STEP 12:



1



2PCS

6



4PCS

4



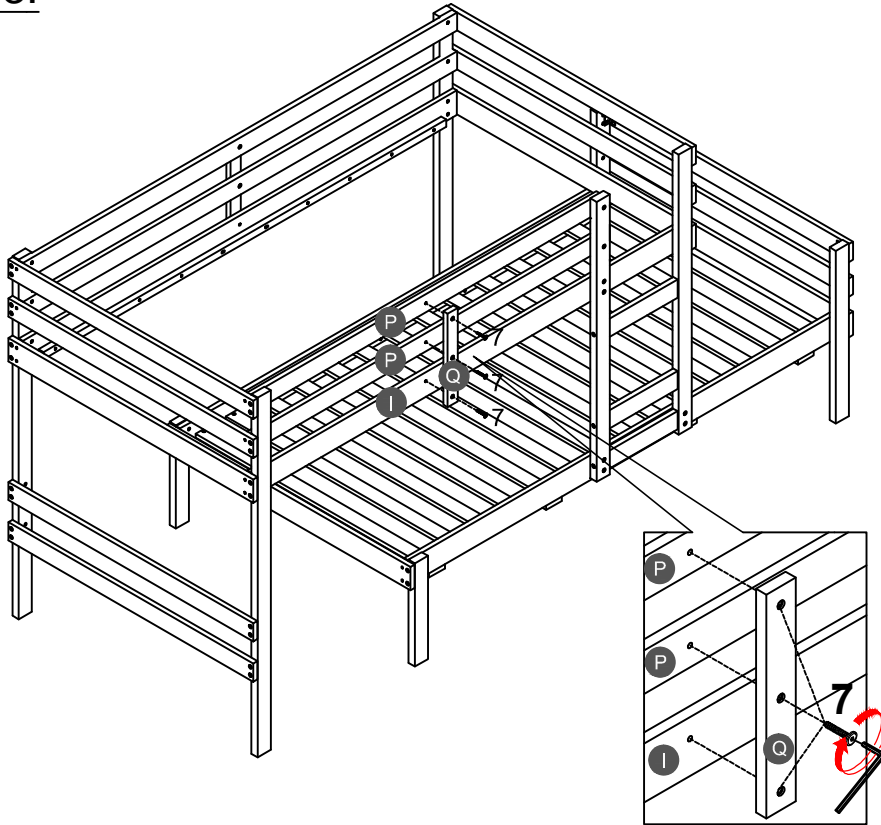
2PCS

8



2PCS

STEP 13:

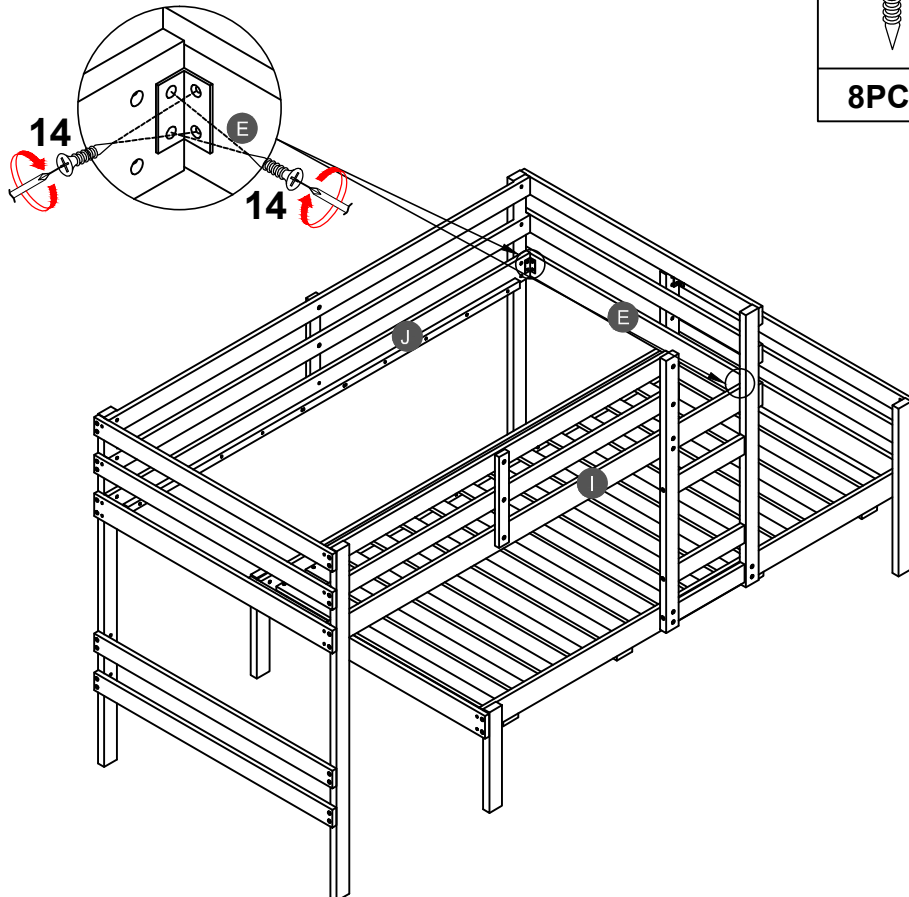


7



3PCS

STEP 14:

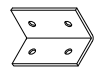


14





8PCS

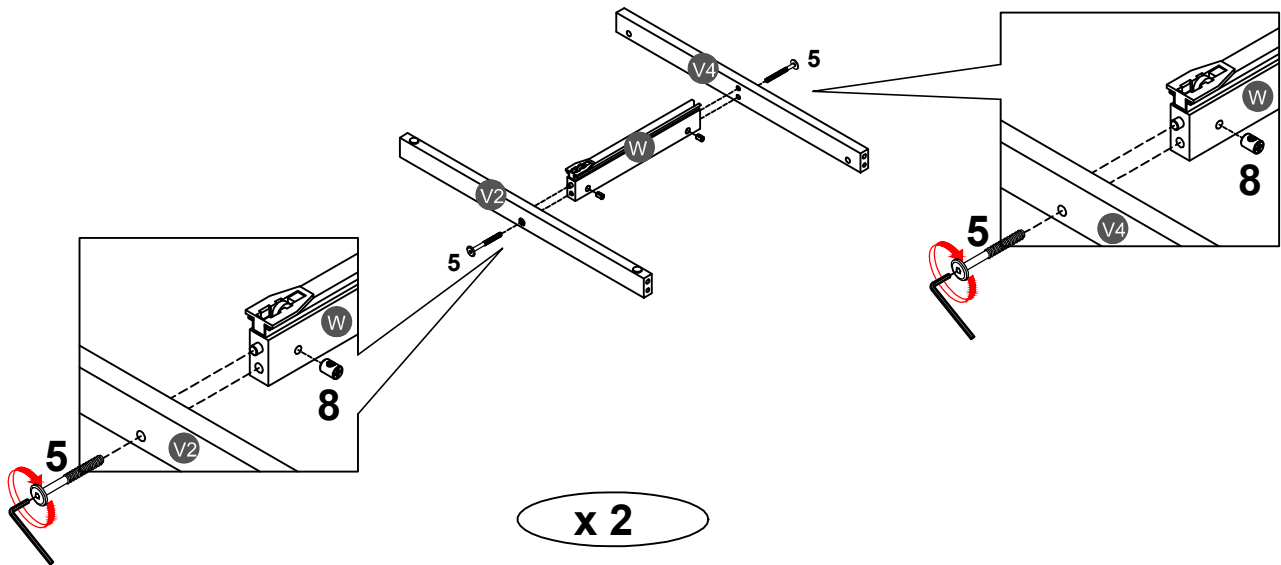
17





2PCS

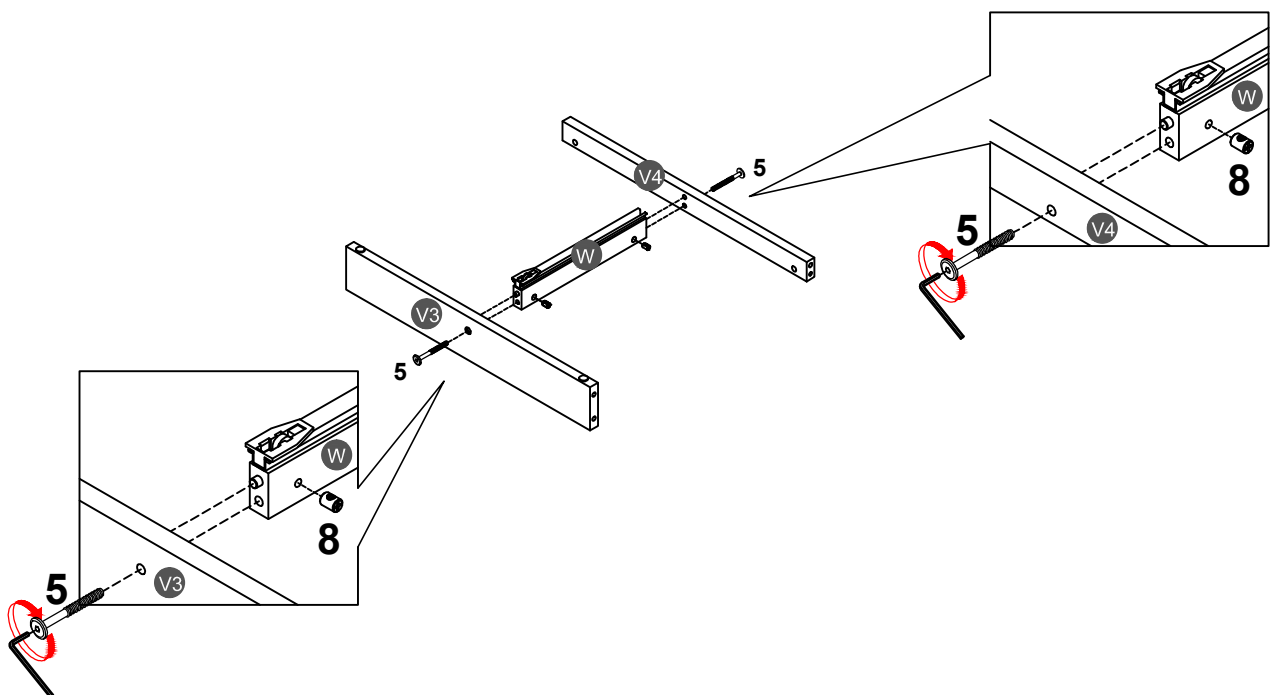
STEP 15:

5		8	
4PCS		4PCS	

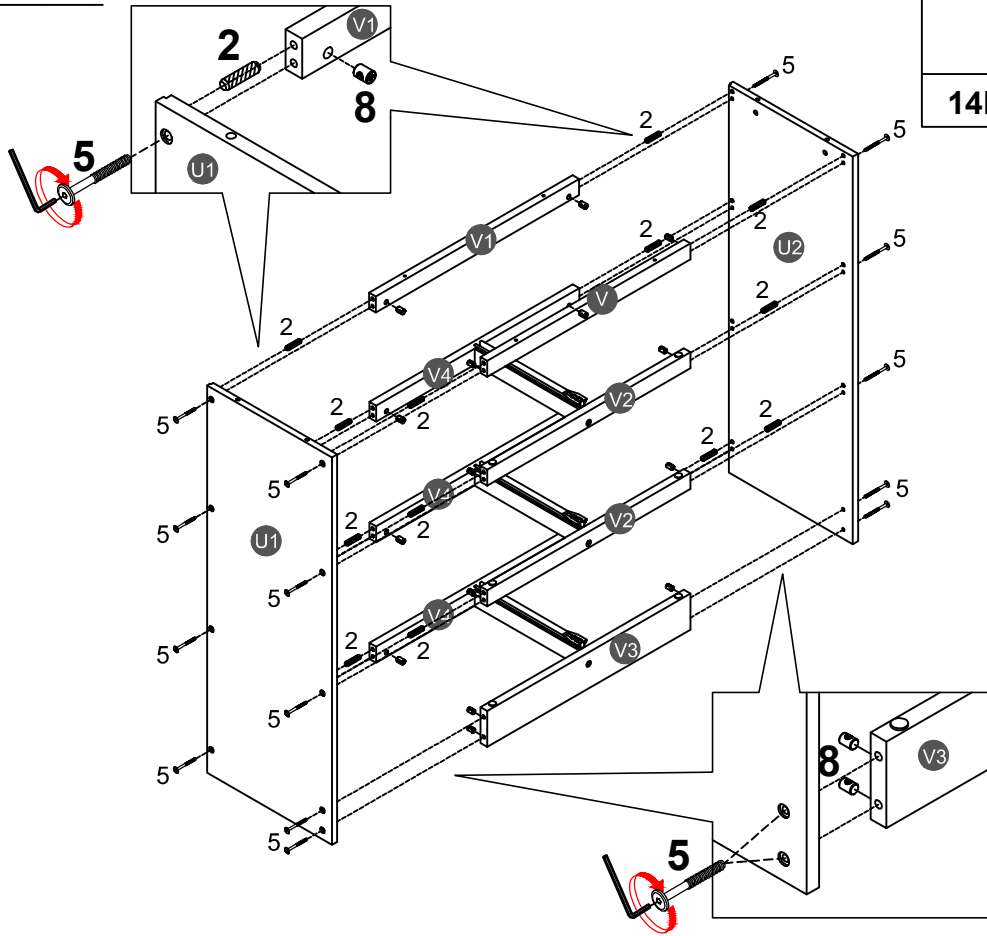





STEP 16:

5		8	
2PCS		2PCS	

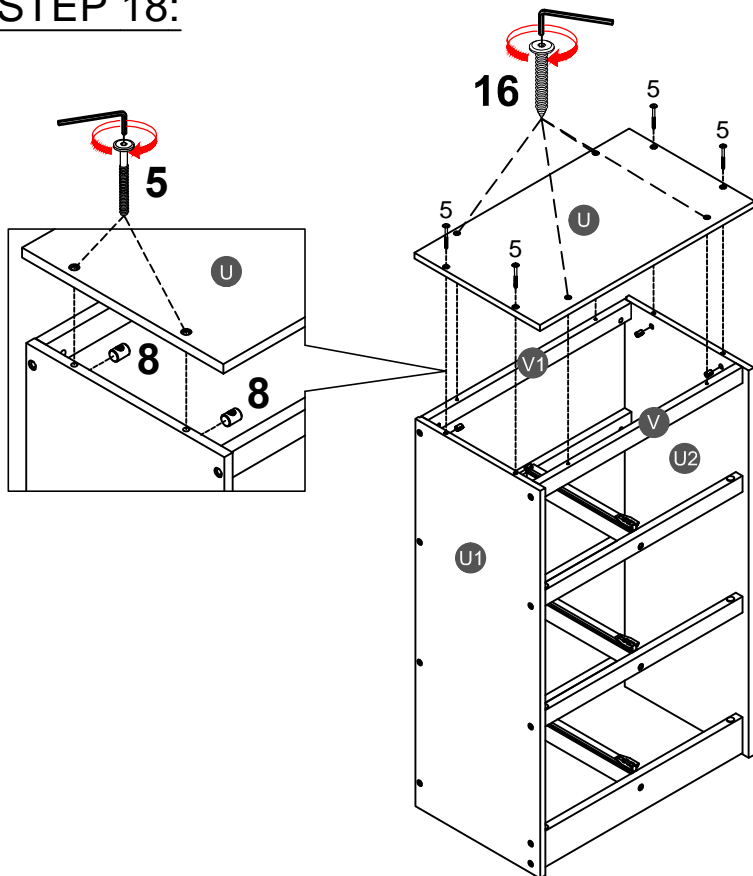





STEP 17:




2		5	
14PCS		18PCS	
		8	
18PCS			

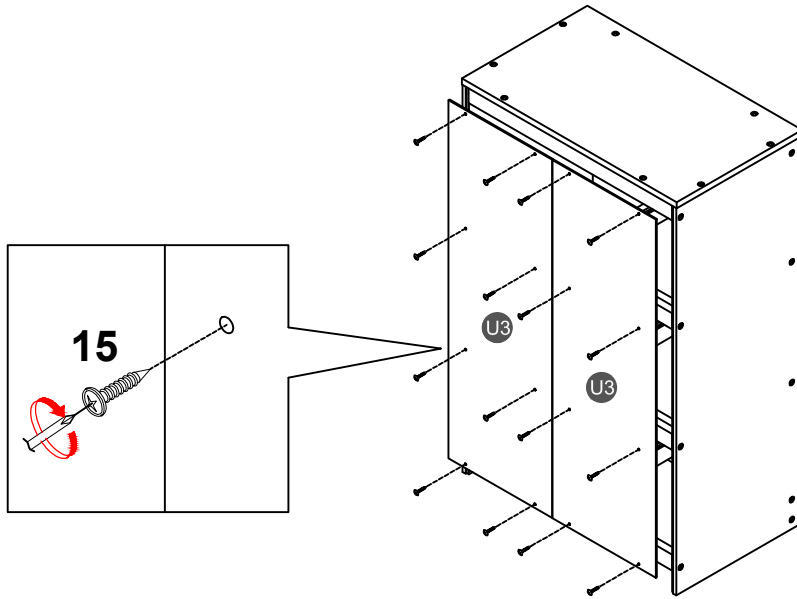
STEP 18:






5		8	
4PCS		4PCS	
		16	
4PCS			

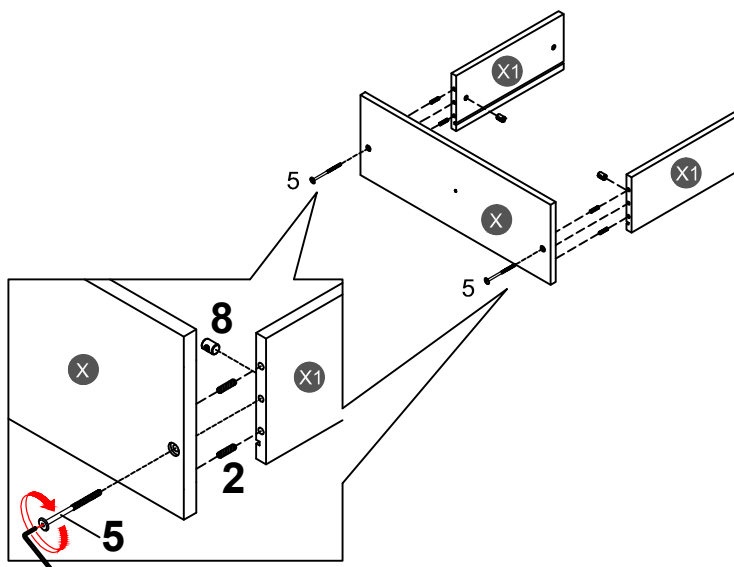
STEP 19:

15	
16PCS	



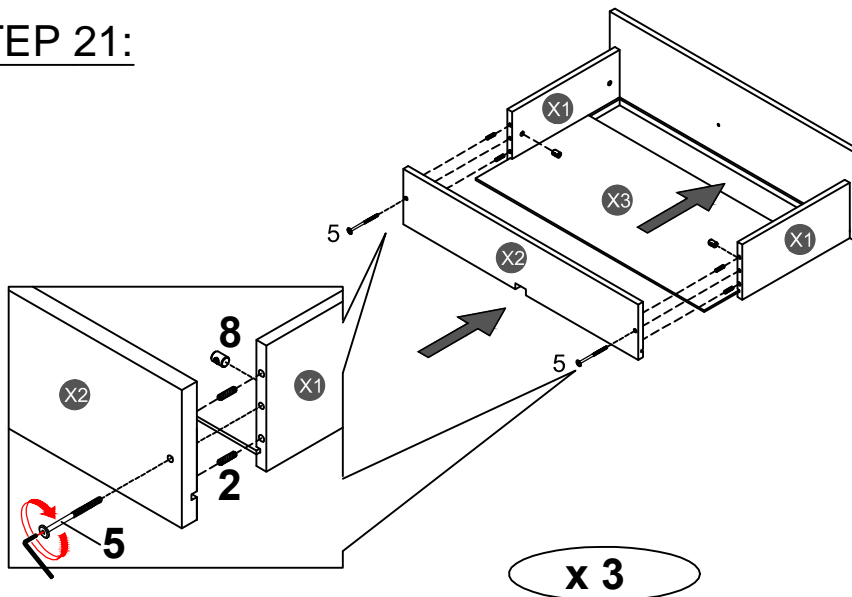
STEP 20:

2		5	
12PCS		6PCS	
		8	
		6PCS	



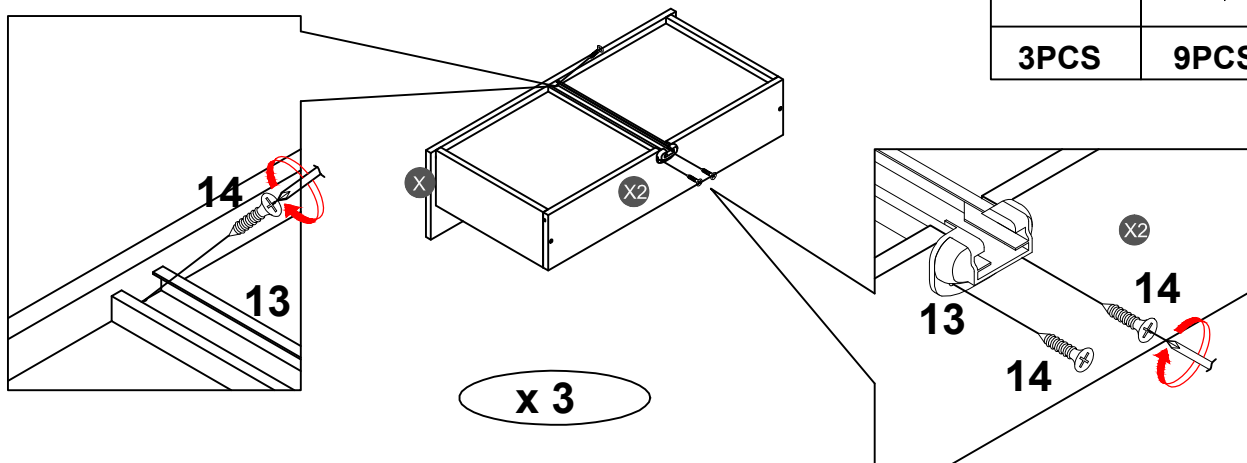
x 3

STEP 21:



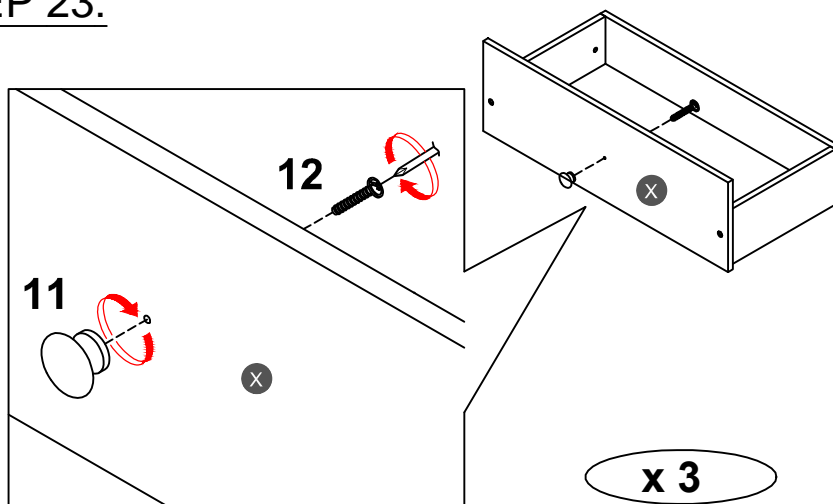
2		5	
12PCS		6PCS	
		8	
		6PCS	

STEP 22:



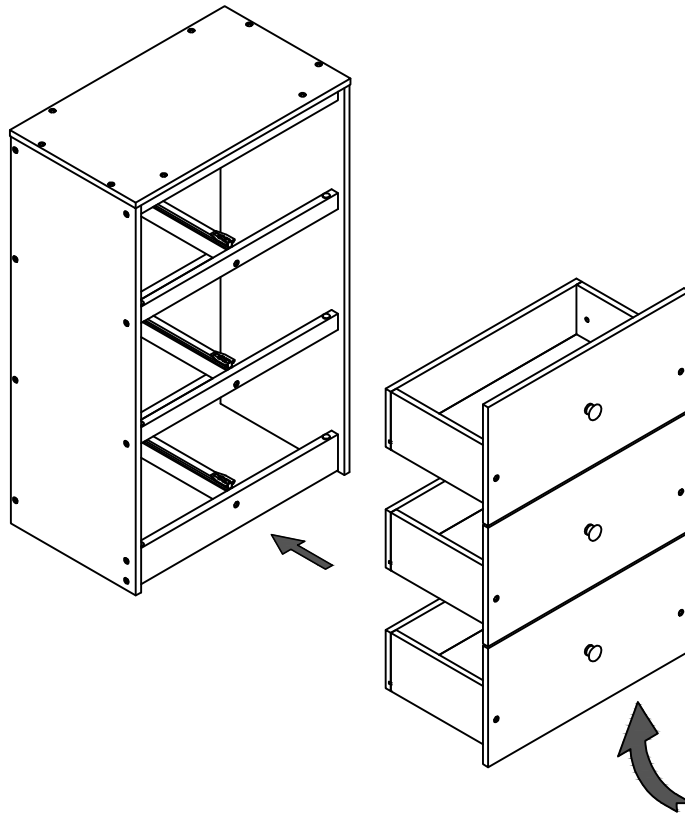
13		14	
3PCS		9PCS	

STEP 23:

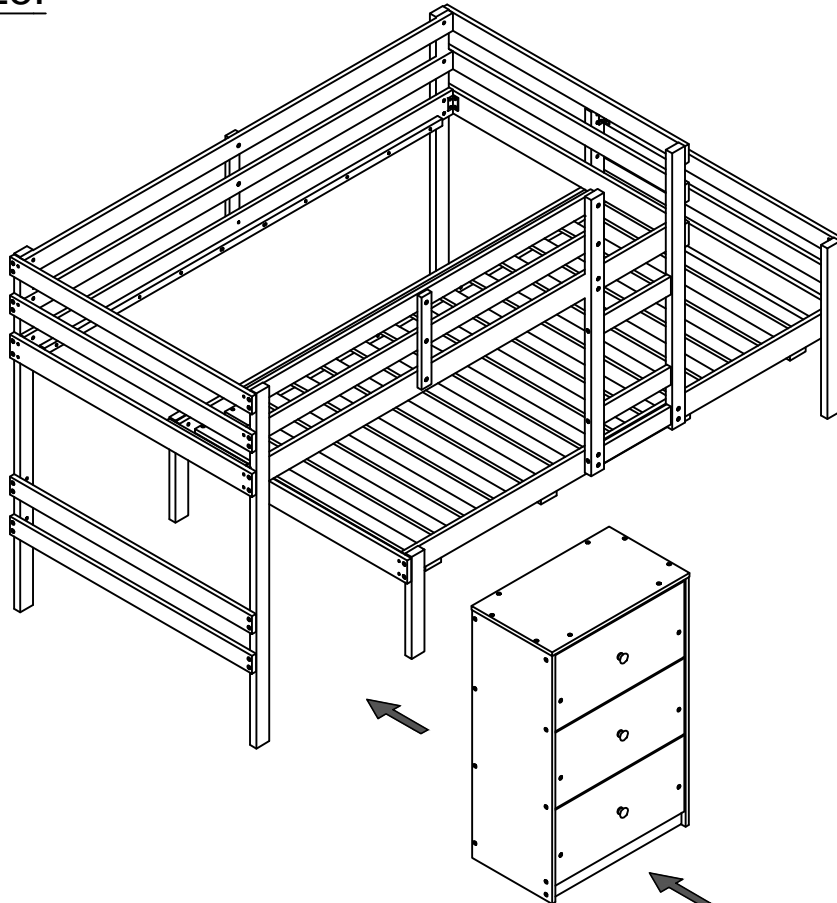


11		12	
3PCS		3PCS	

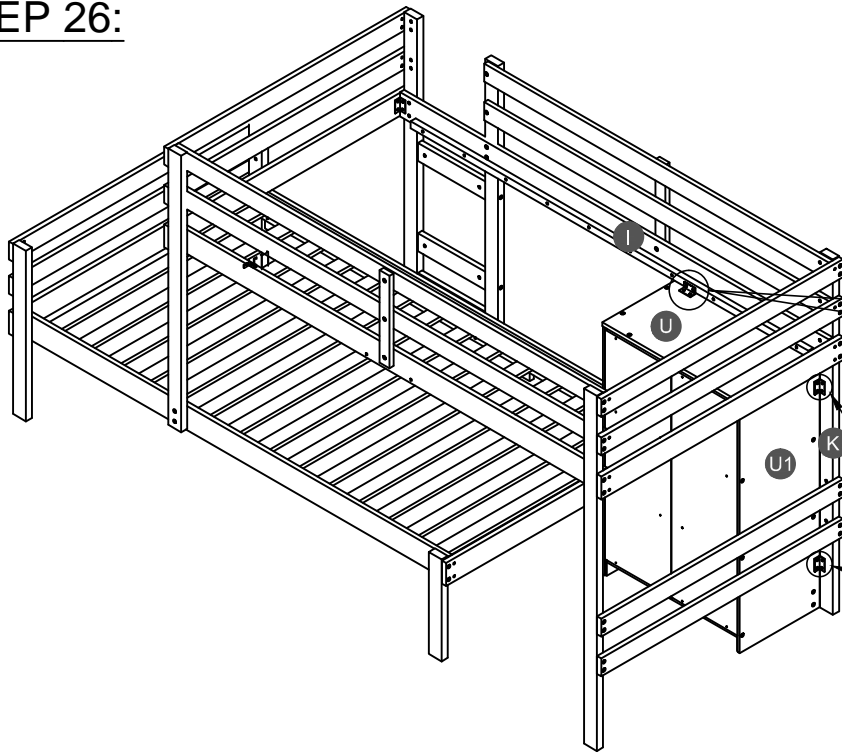
STEP 24:


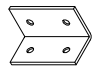


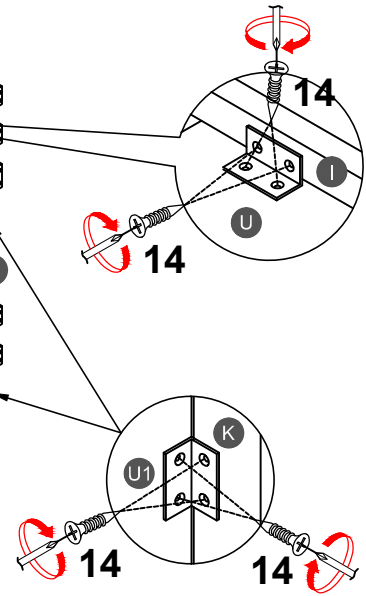
STEP 25:



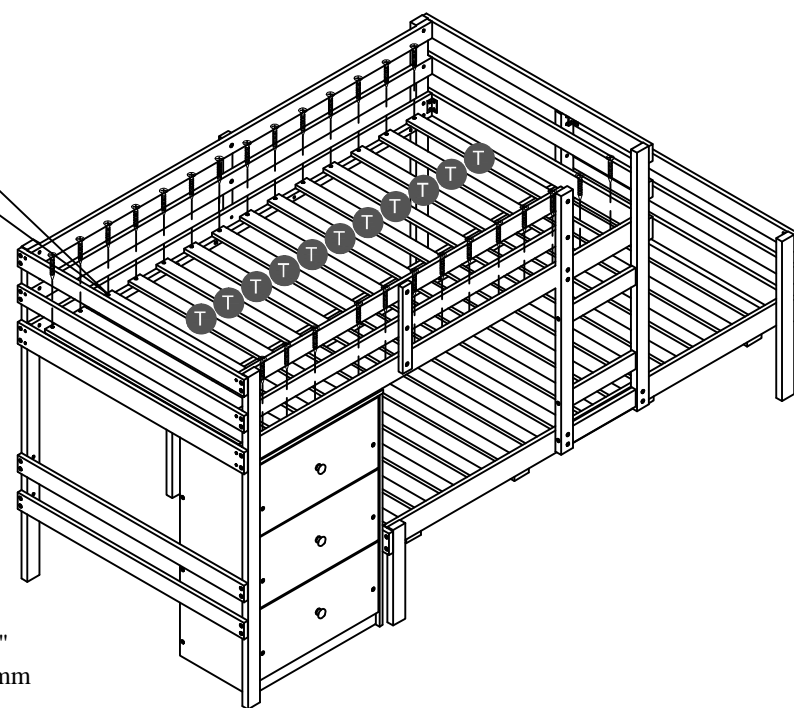
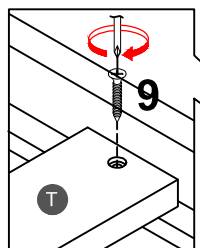
STEP 26:




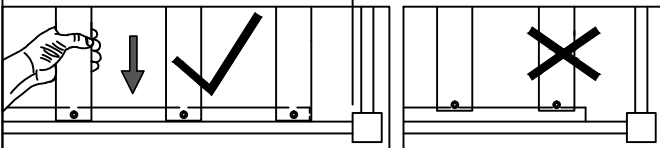
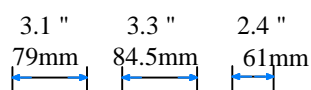
14 	17 
12PCS	3PCS



STEP 27:






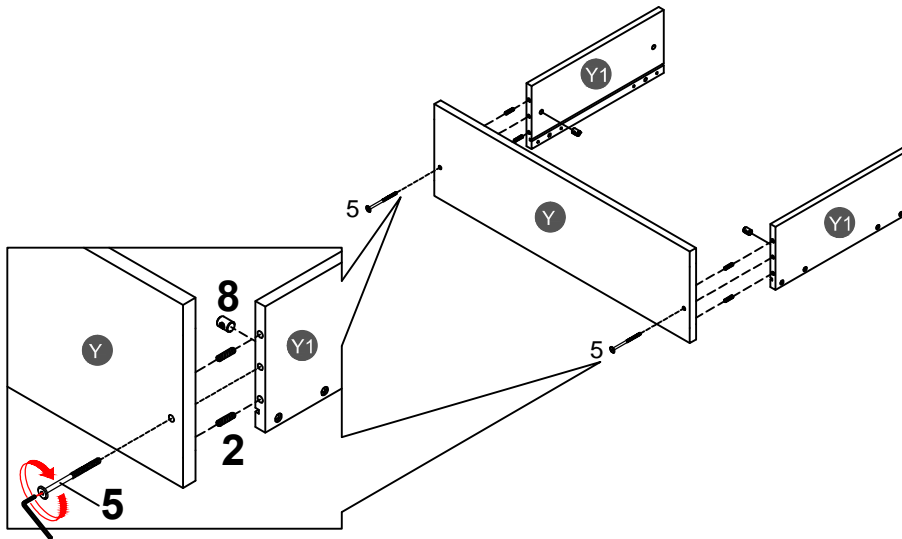
9 
28PCS



Note: Do not lock the screws of the bed slats to the outermost edge of the bed slats, you need to leave a certain space at the edges, otherwise it will cause the board to break. Do not lock the bed slats on the edge of the wood, please hold firmly before screwing, hold it in place with one hand, then lock the screw.




STEP 28:

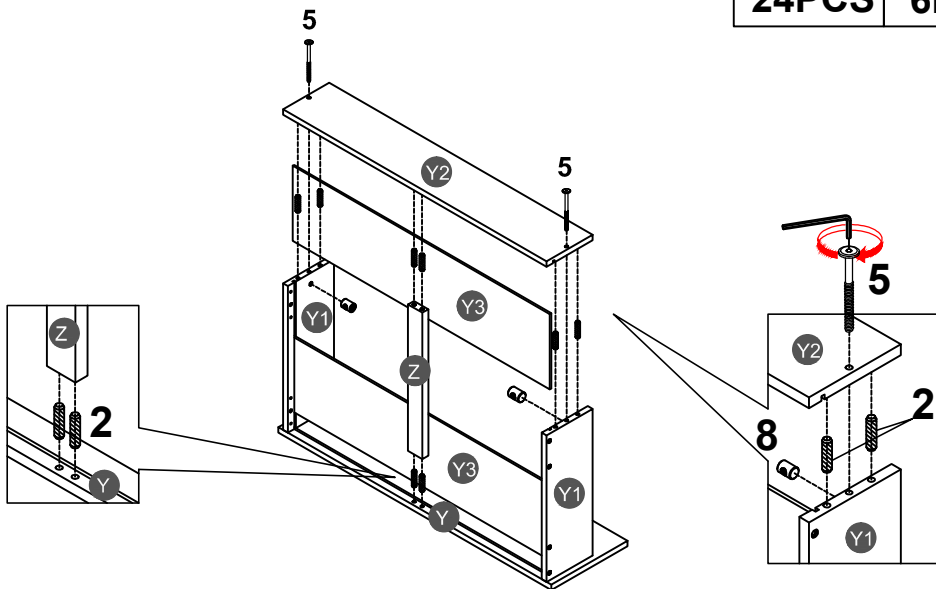
2		5		8	
12PCS		6PCS		6PCS	



3pcs




STEP 29:

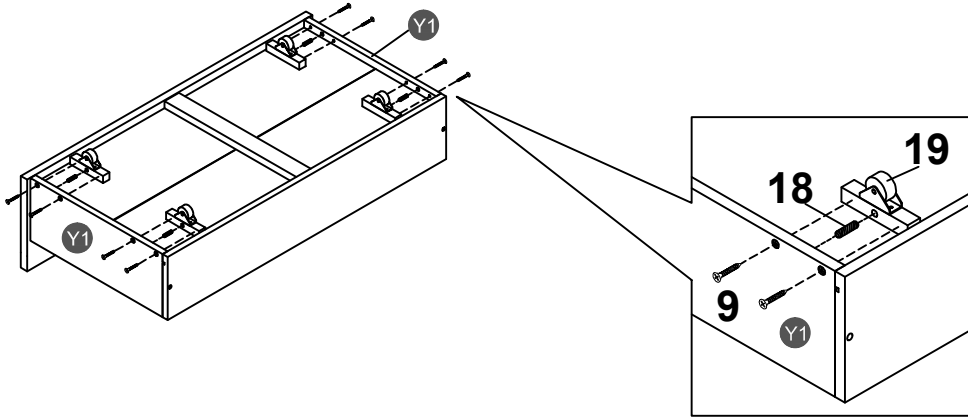
2		5		8	
24PCS		6PCS		6PCS	



3pcs

STEP 30:

9 	18 	19 
24PCS	12PCS	12PCS



3pcs

STEP 31:

