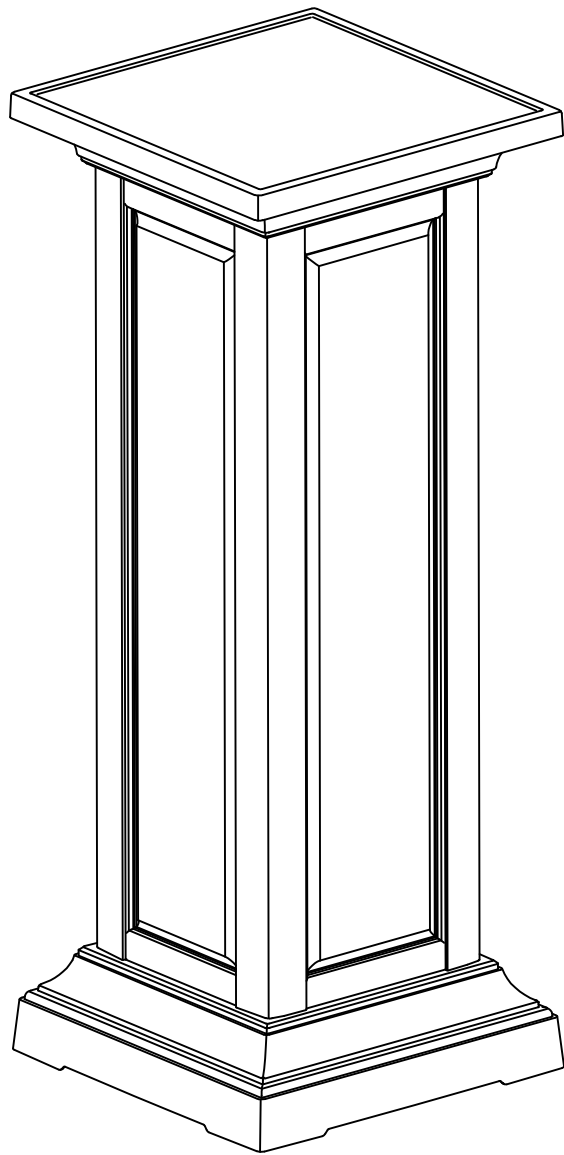


ASSEMBLE INSTRUCTIONS



IMPORTANT

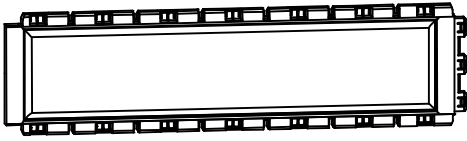
Once installed, the product cannot be detached. Strictly follow each step in the installation manual.

- Gather and organize all required parts prior to assembly. If you have any problems or discover any missing parts, please contact customer service.
- Some parts may contain sharp edges. Wear protective gloves if necessary during assembly.

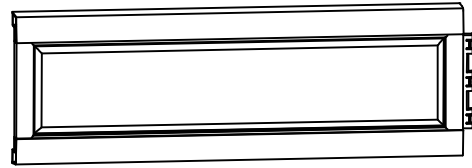
CARE & SAFETY

- Assemble on a flat, clean and soft surface.
- In case of fire, do not attempt to extinguish any burning polypropylene with water.
- Wear safety-goggles and always follow the manufacturer's instructions when using power tools.
- During installation, please refer to the accessories guide to ensure that they are installed in the correct directions.
- Do not stand on the lid.

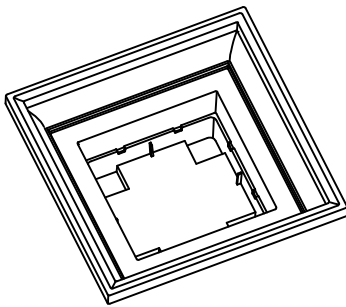
PARTS LIST



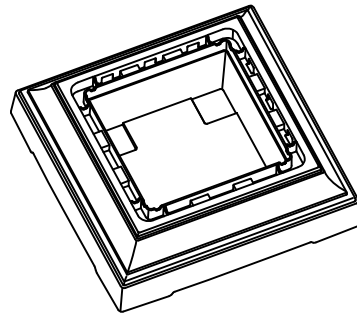
A(X2)



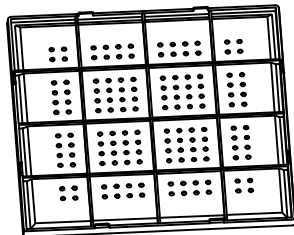
B(X2)



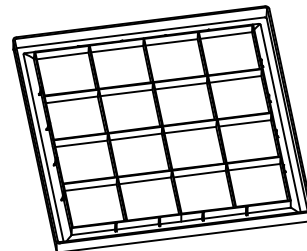
C(X1)



D(X1)

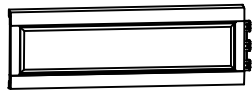


E(X1)



J(X1)

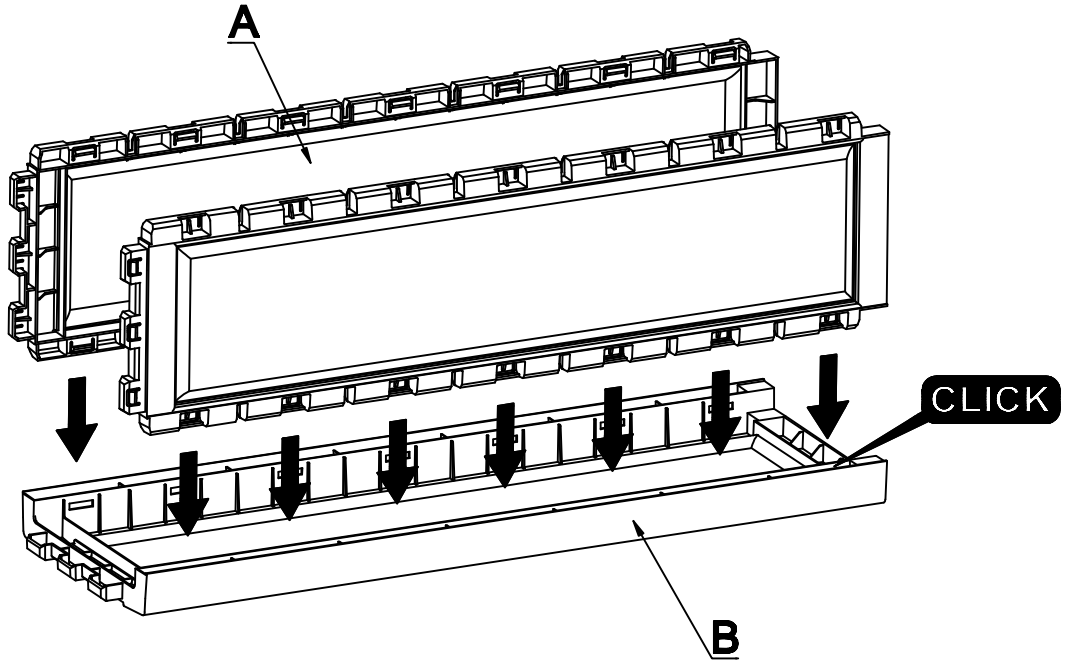
1



B(X1)



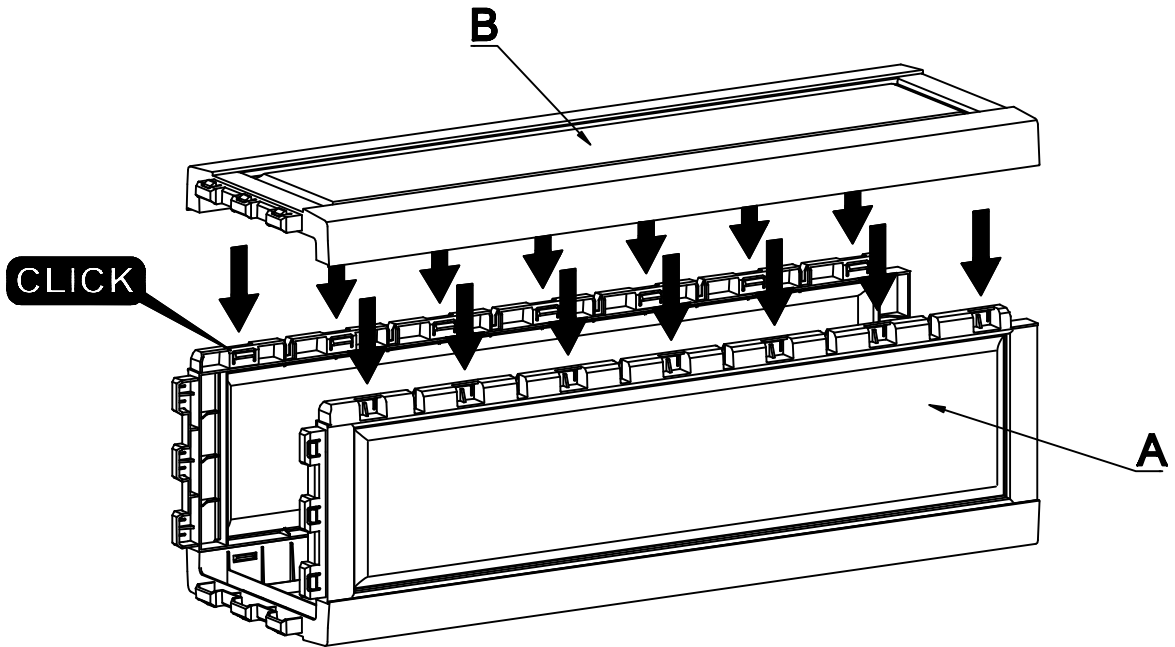
A(X2)



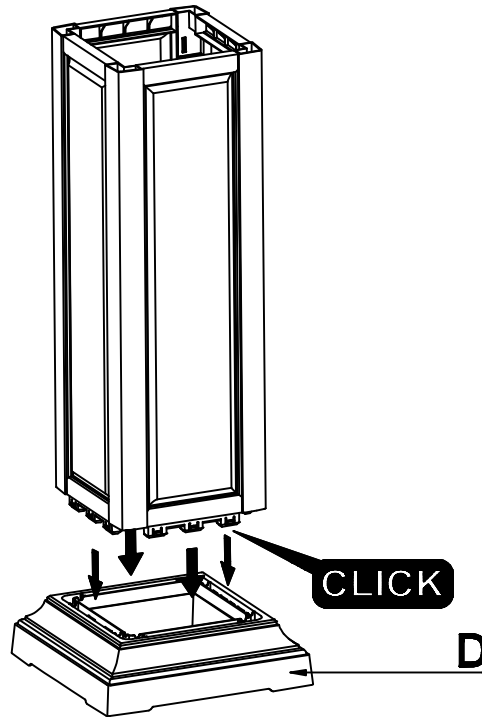
2



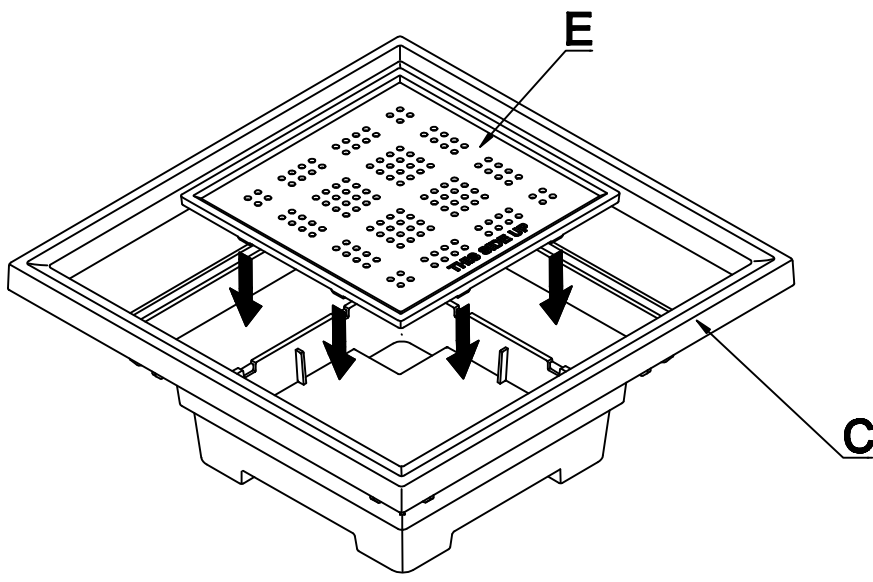
B(X1)



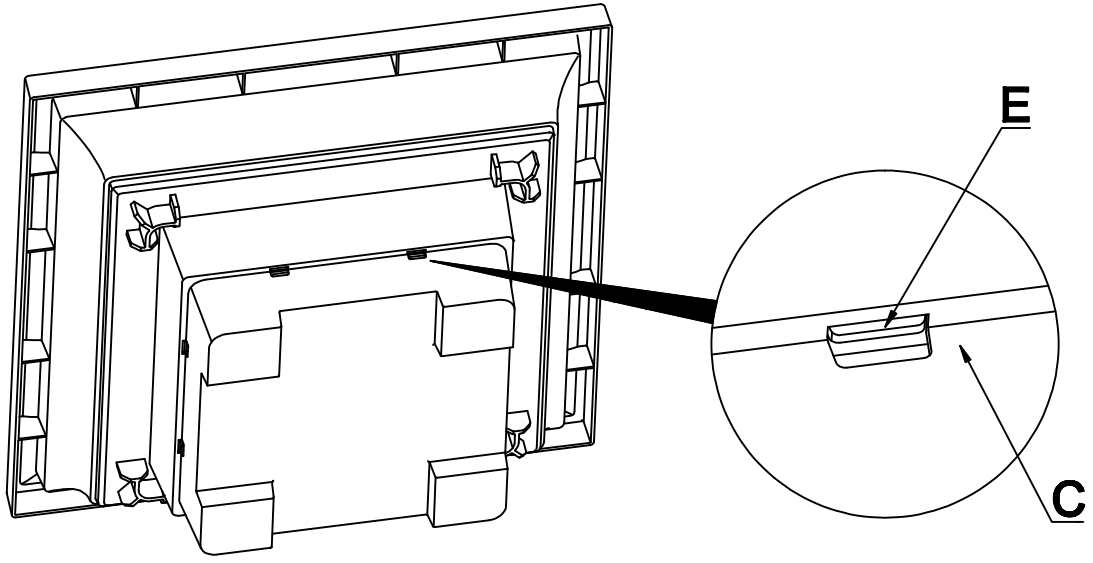
3  D(X1)



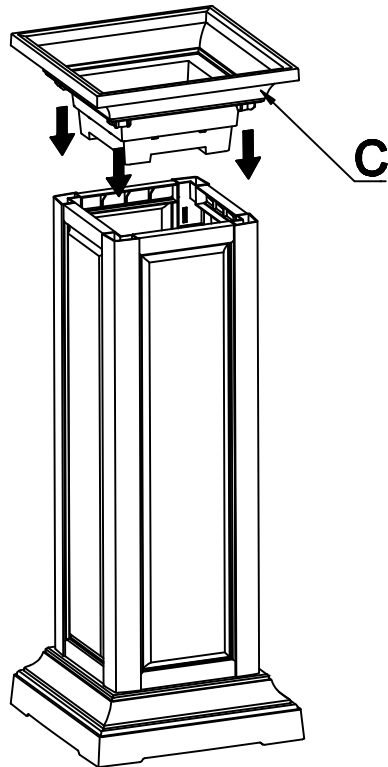
4  E(X1)  C(X1)



5



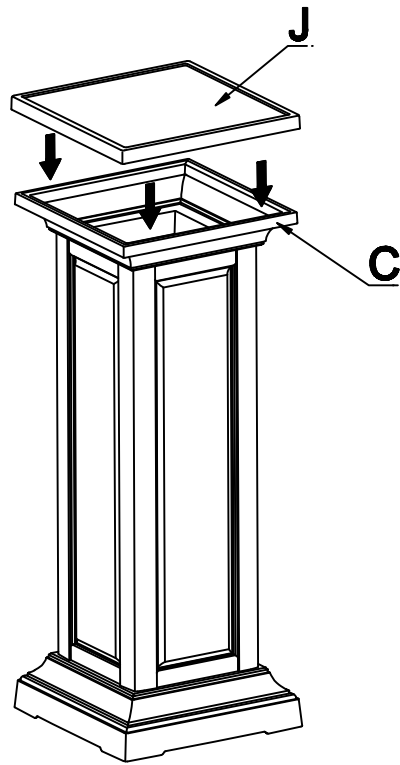
6



7



J(X1)



8

