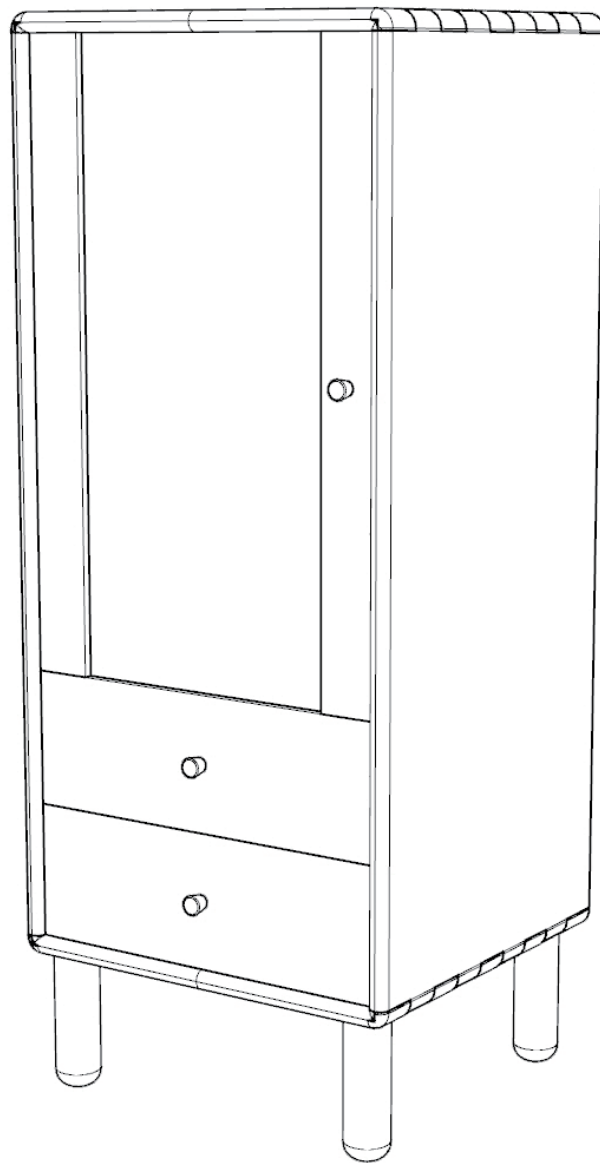
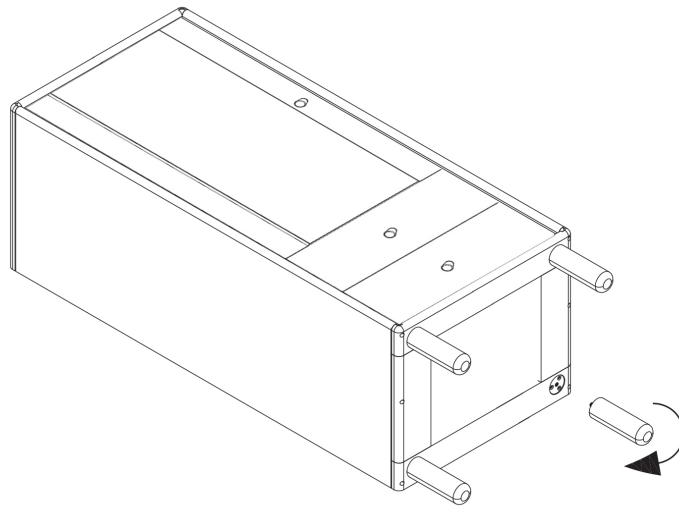


# Double drawer sideboard

## Assembly Instructions



These assembly instructions are applicable to all double drawer sideboards regardless of how they look. As shown in the diagram below, lay the sideboard on a flat, clean and non-abrasive surface and attach the legs to the bottom of the sideboard.



Tighten each leg by turn it clockwise.

