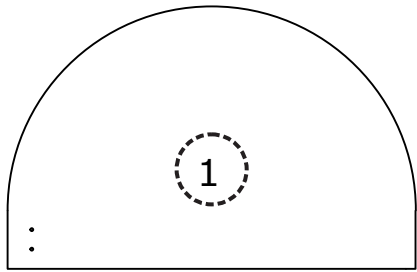


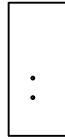
PARTS

Check that you've received
all parts listed below.



(1 pc)

2

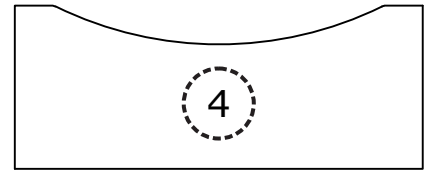


(1 pc)

3



(1 pc)



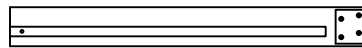
(1 pc)

5



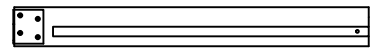
(1 pc)

6



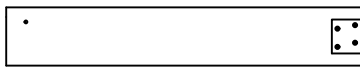
(1 pc)

7



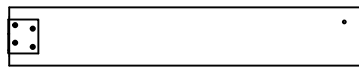
(1 pc)

8



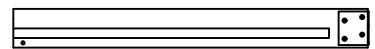
(1 pc)

9



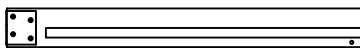
(1 pc)

10



(1 pc)

11



(1 pc)

12



(1 pc)

13



(10 pcs)

14



(1 pc)

15



(1 pc)

Hardware



HARDWARE

Check that you've received
all hardware listed below.

A



26 pcs

B



26 pcs

C



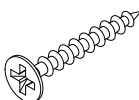
26 pcs

D



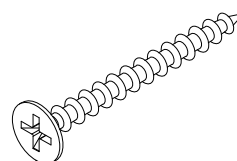
1 pc

E



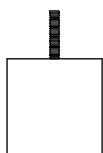
4 pcs

F



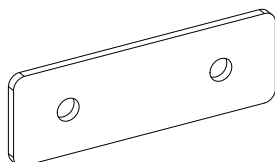
20 pcs

G







2 pcs

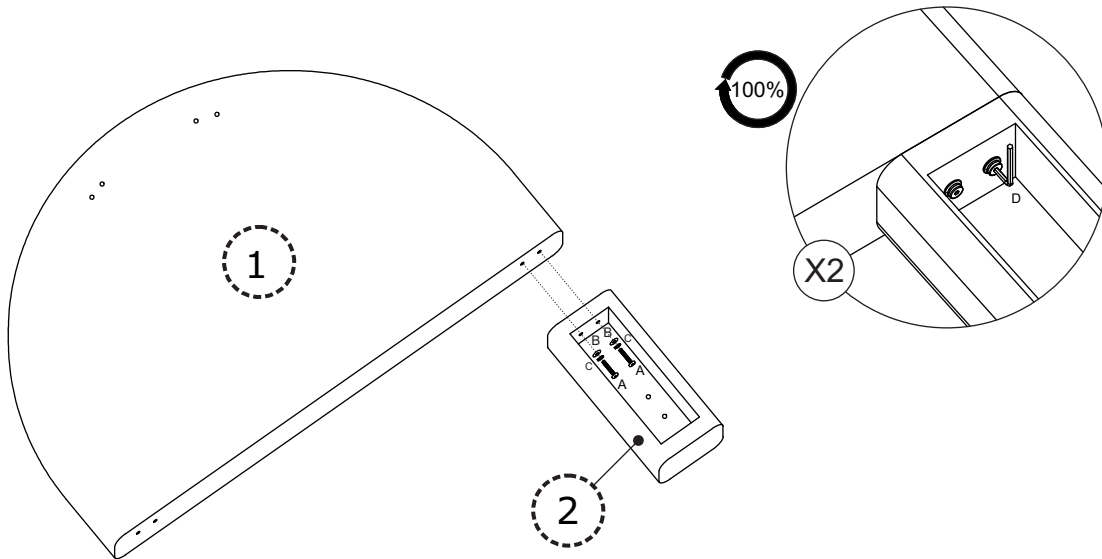
H







2 pcs

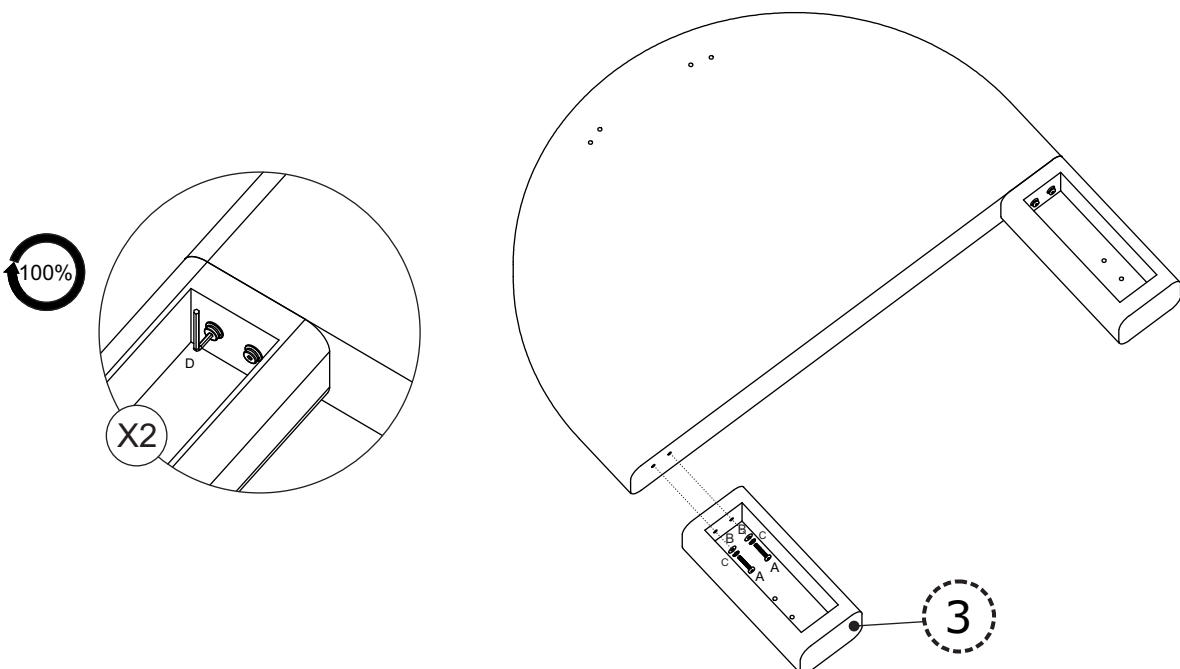
STEP 1

A x 2  Ø 5/16" x 38 mm	B x 2 	C x 2 	D x 1 	
---------------------------------------------------------------------------------------------------------------	--------------------------------------------------------------------------------------------	--------------------------------------------------------------------------------------------	----------------------------------------------------------------------------------------------	--







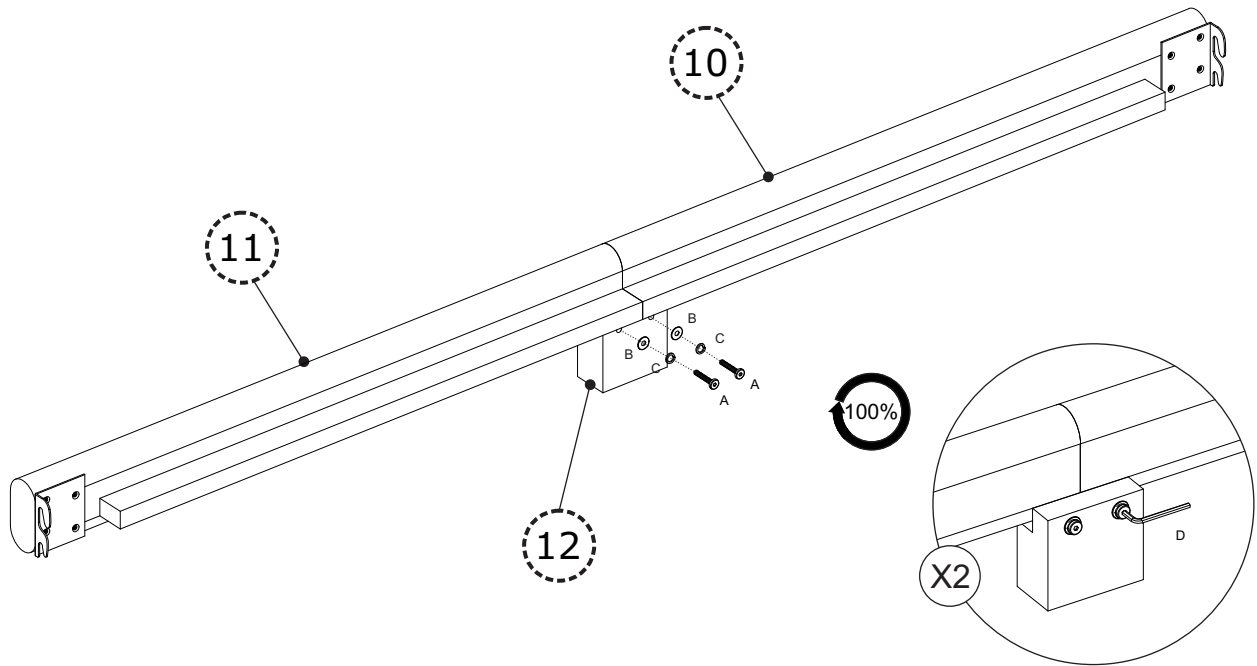
STEP 2

A x 2  Ø 5/16" x 38 mm	B x 2 	C x 2 	D x 1 	
-----------------------------------------------------------------------------------------------------------------	----------------------------------------------------------------------------------------------	----------------------------------------------------------------------------------------------	------------------------------------------------------------------------------------------------	--

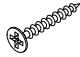
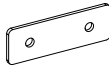


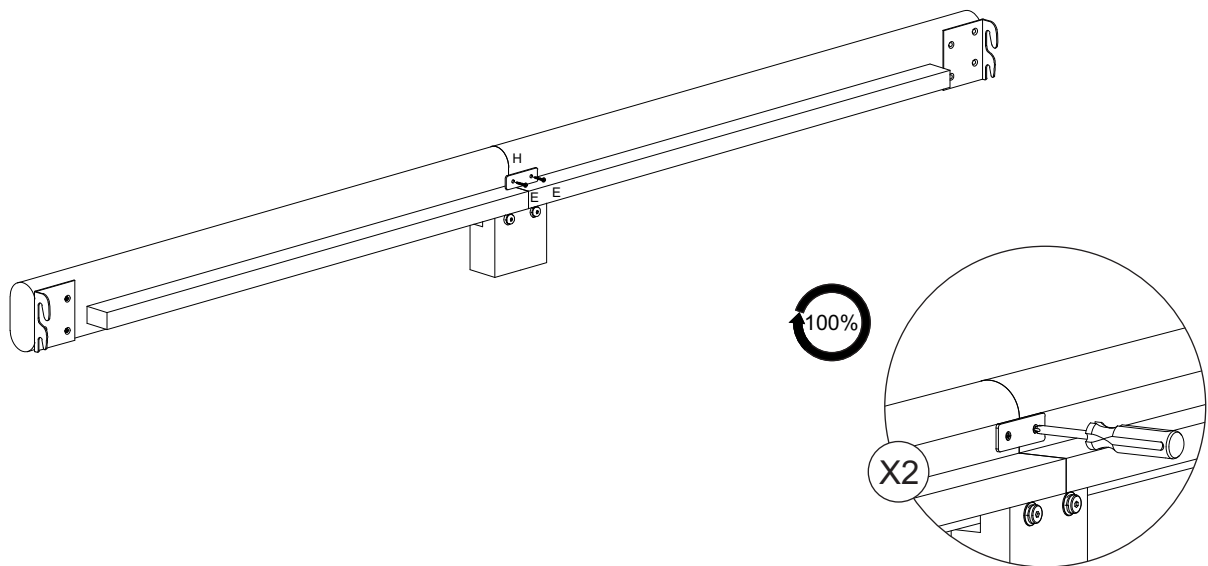
STEP 3

<p>A x 2</p>  <p>Ø 5/16" x 38 mm</p>	<p>B x 2</p> 	<p>C x 2</p> 	<p>D x 1</p> 	
-----------------------------------------------------------------------------------------------------------------------	------------------------------------------------------------------------------------------------	------------------------------------------------------------------------------------------------	--------------------------------------------------------------------------------------------------	--







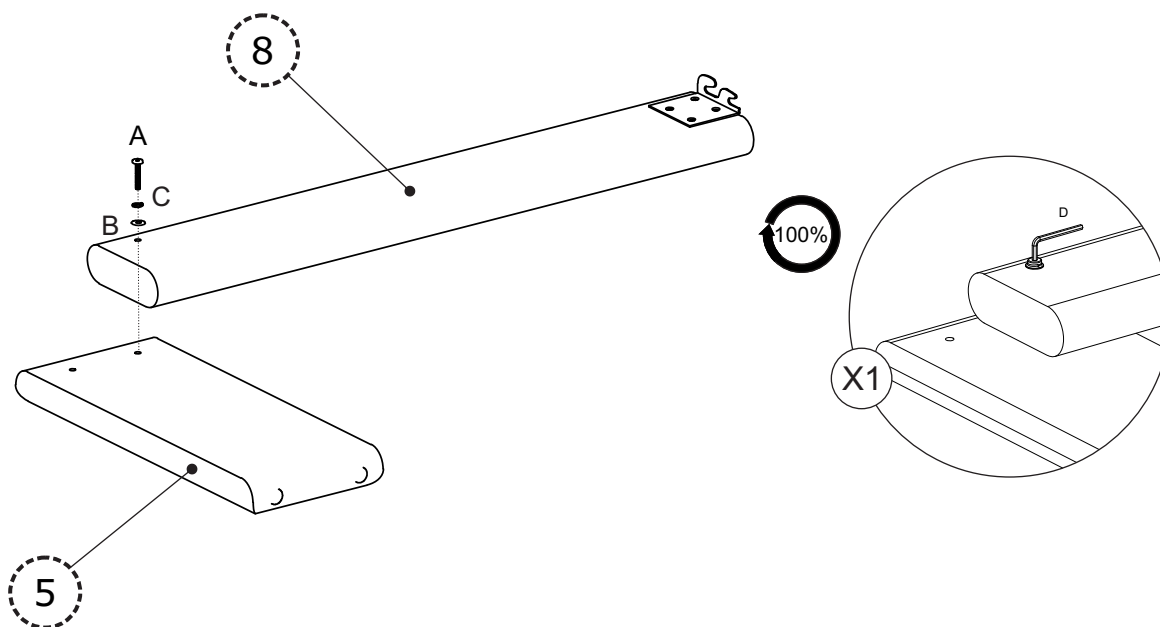
STEP 4

<p>E x 2</p> 	<p>H x 1</p> 			
--------------------------------------------------------------------------------------------------	--------------------------------------------------------------------------------------------------	--	--	--







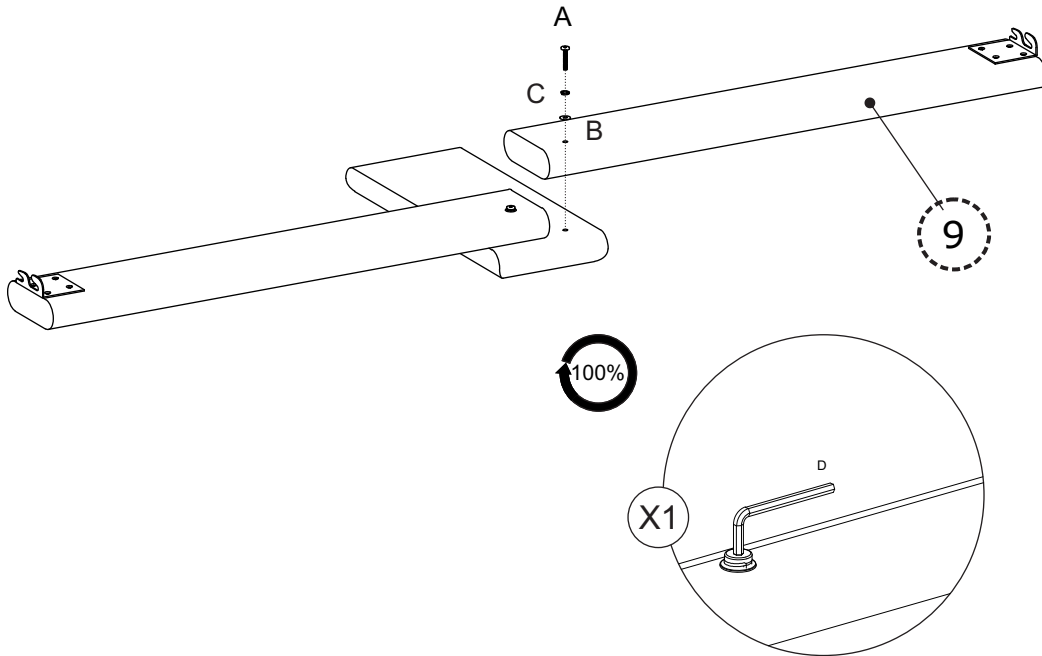
STEP 5

A x 1  Ø 5/16" x 38 mm	B x 1 	C x 1 	D x 1 	
---------------------------------------------------------------------------------------------------------------	--------------------------------------------------------------------------------------------	--------------------------------------------------------------------------------------------	----------------------------------------------------------------------------------------------	--







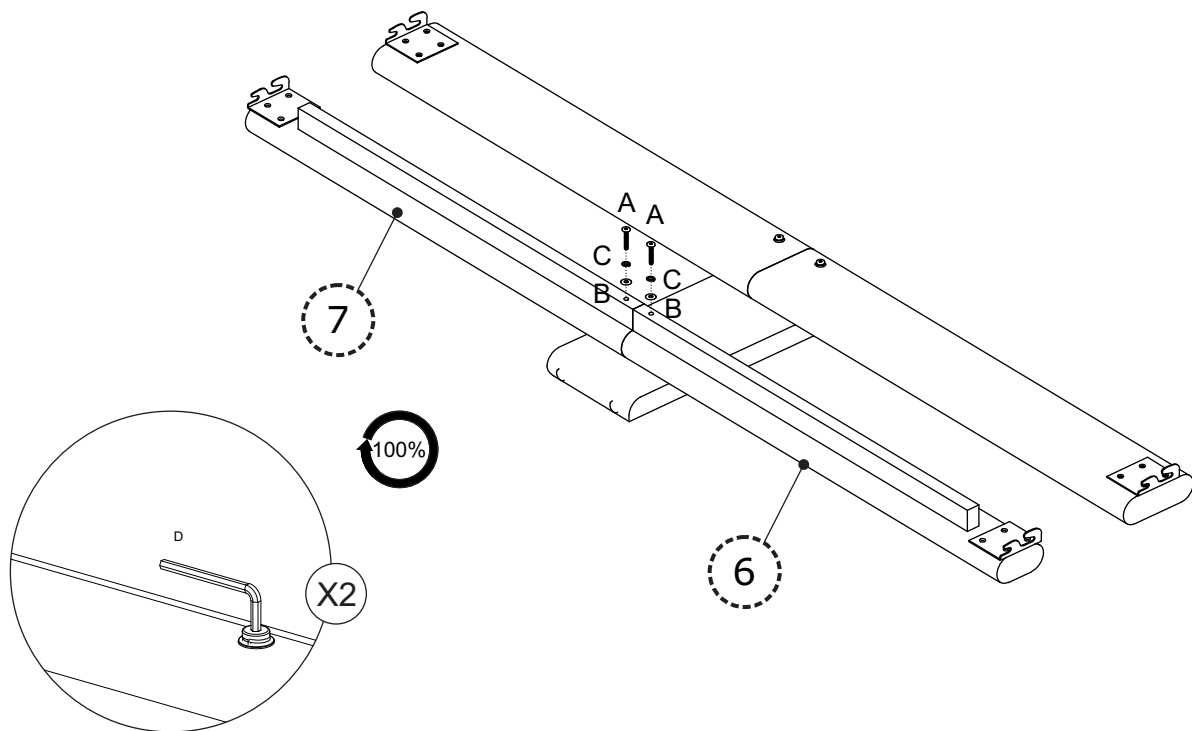
STEP 6

<p>A x 1</p>  <p>Ø 5/16" x 38 mm</p>	<p>B x 1</p> 	<p>C x 1</p> 	<p>D x 1</p> 	
-----------------------------------------------------------------------------------------------------------------------	------------------------------------------------------------------------------------------------	------------------------------------------------------------------------------------------------	--------------------------------------------------------------------------------------------------	--



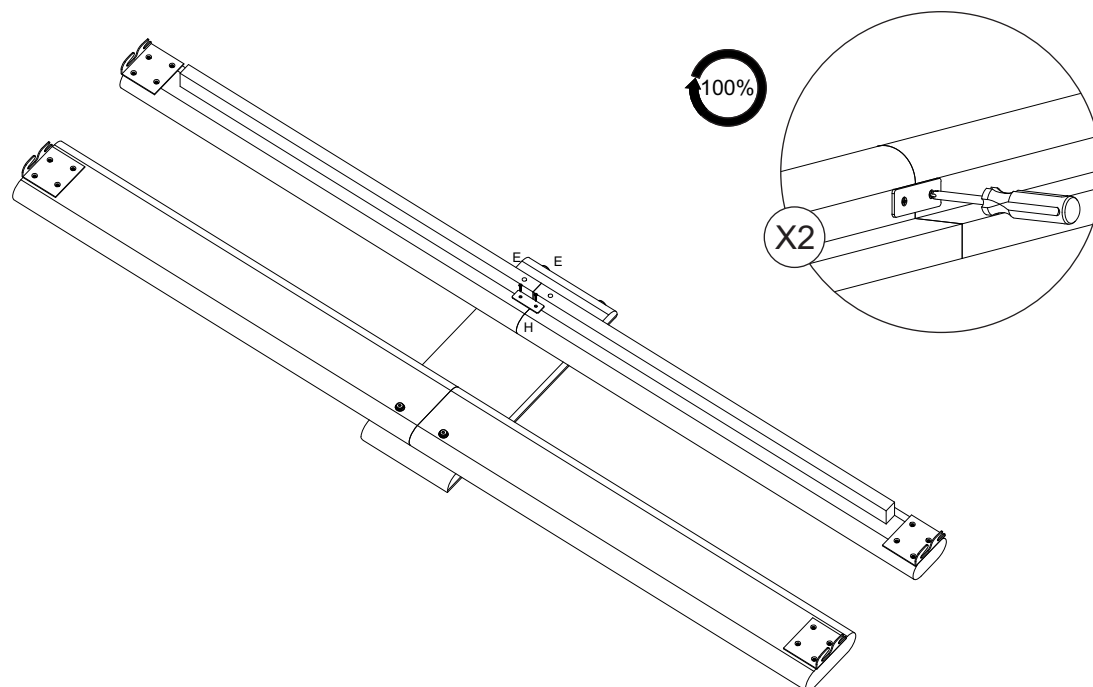
STEP 7

<p>A x 2</p>  <p>Ø 5/16" x 38 mm</p>	<p>B x 2</p> 	<p>C x 2</p> 	<p>D x 1</p> 	
-------------------------------------------------------------------------------------------------------------------------	--------------------------------------------------------------------------------------------------	--------------------------------------------------------------------------------------------------	----------------------------------------------------------------------------------------------------	--



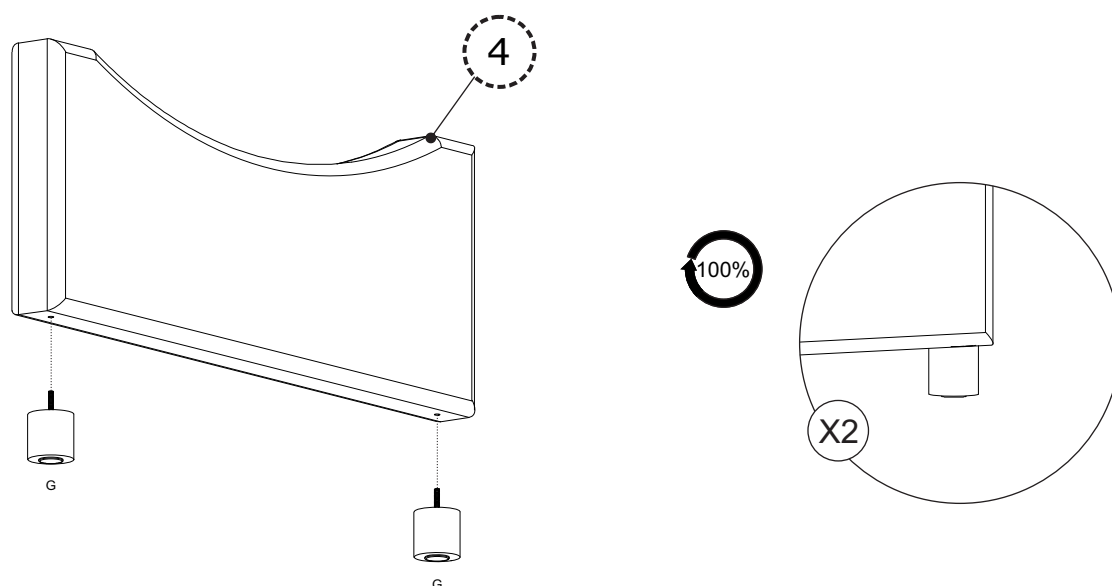
STEP 8

Ex 2	H x 1			
------	-------	--	--	--







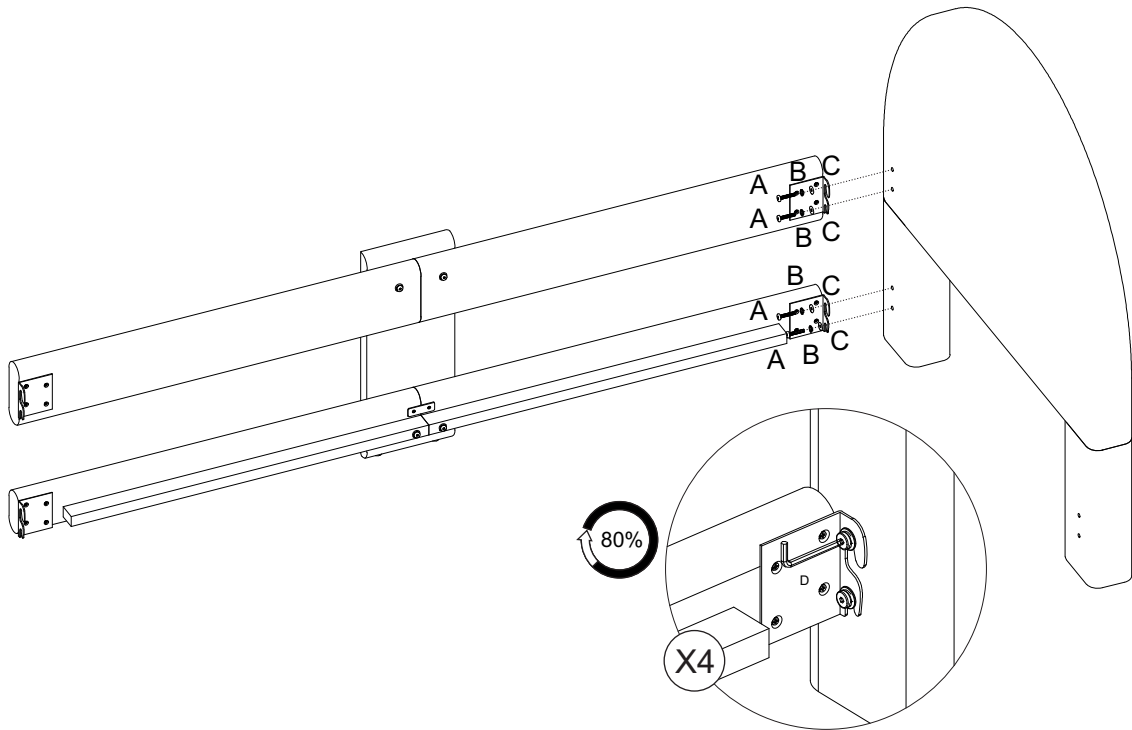
STEP 9

G x 2				
-------	--	--	--	--


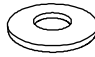




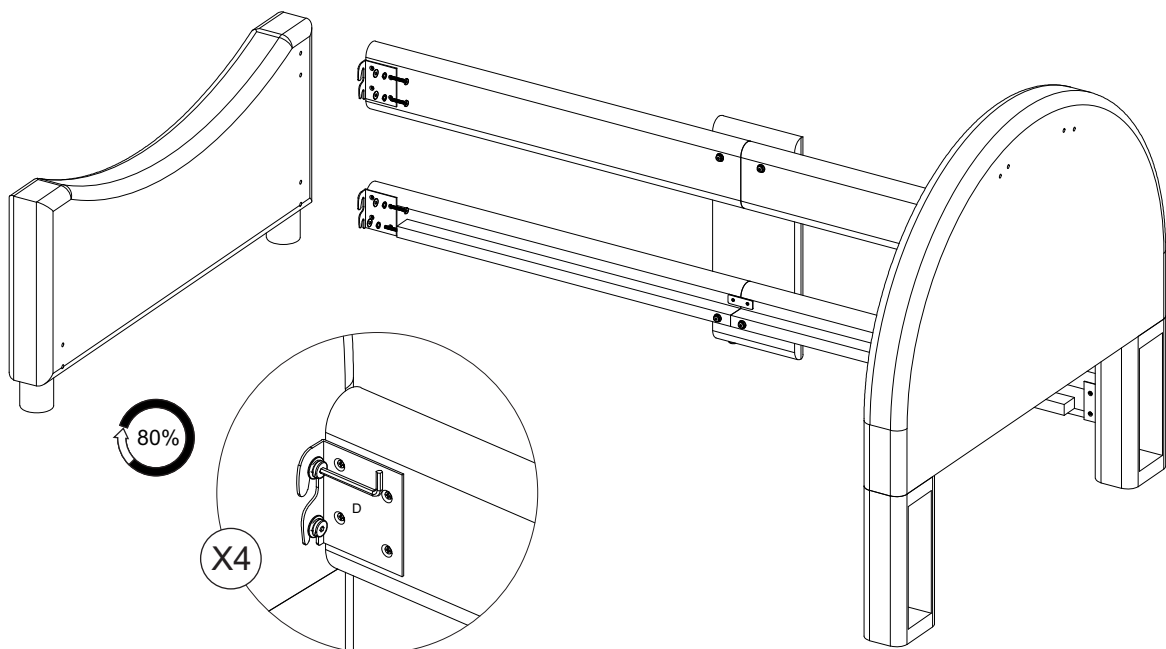
STEP 10

A x 4  Ø 5/16" x 38 mm	B x 4 	C x 4 	D x 1 	
---------------------------------------------------------------------------------------------------------------	--------------------------------------------------------------------------------------------	--------------------------------------------------------------------------------------------	----------------------------------------------------------------------------------------------	--


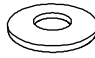




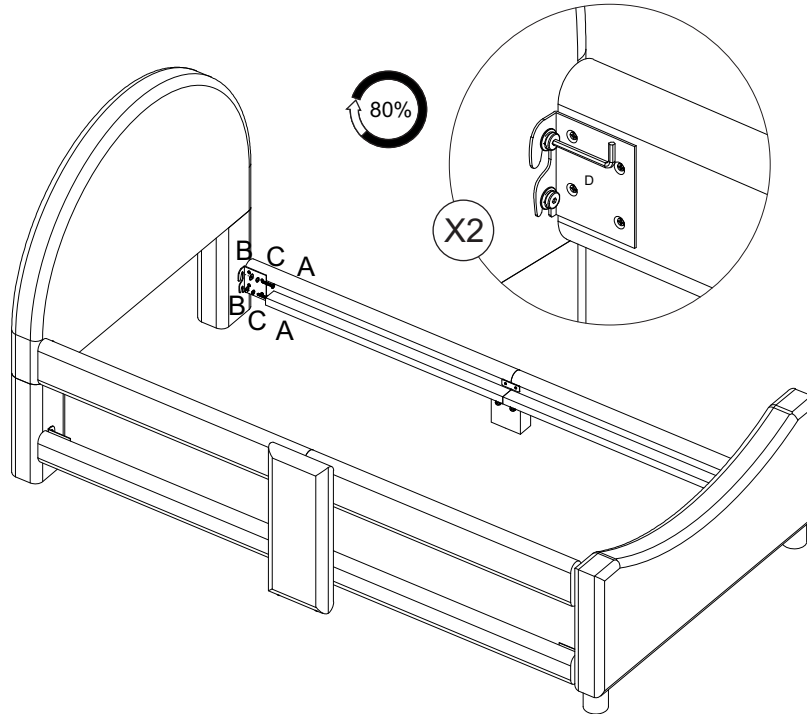
STEP 11

A x 4  Ø 5/16" x 38 mm	B x 4 	C x 4 	D x 1 	
-----------------------------------------------------------------------------------------------------------------	----------------------------------------------------------------------------------------------	----------------------------------------------------------------------------------------------	------------------------------------------------------------------------------------------------	--







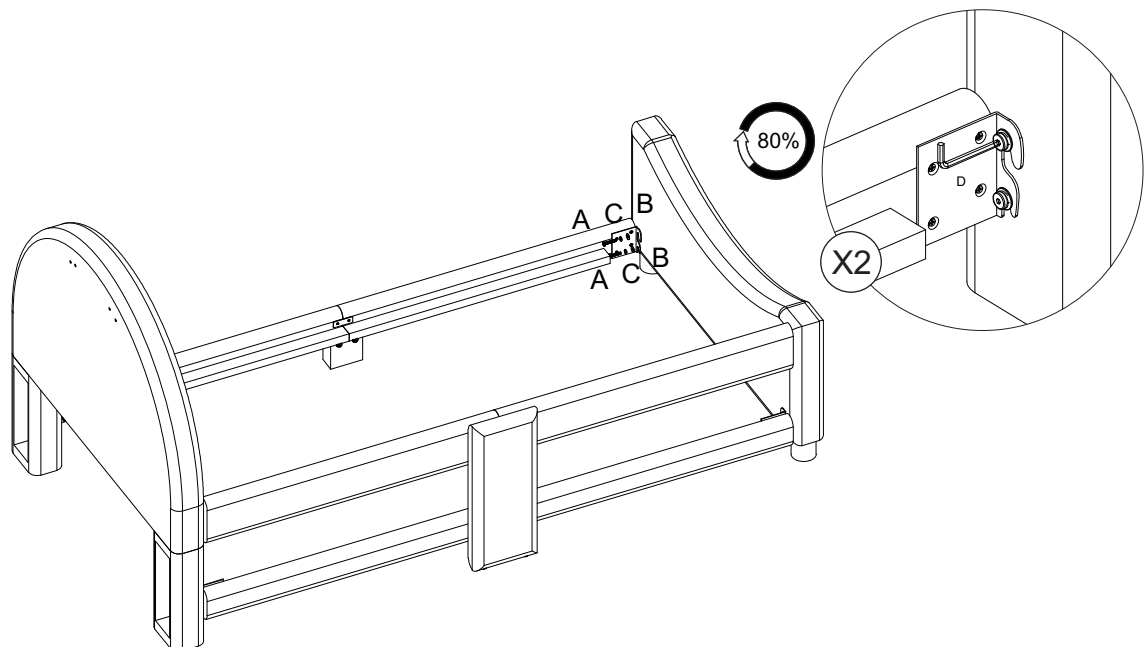
STEP 12

A x 2  Ø 5/16" x 38 mm	B x 2 	C x 2 	D x 1 	
---------------------------------------------------------------------------------------------------------------	--------------------------------------------------------------------------------------------	--------------------------------------------------------------------------------------------	----------------------------------------------------------------------------------------------	--

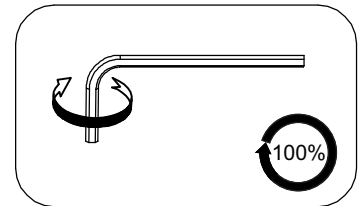
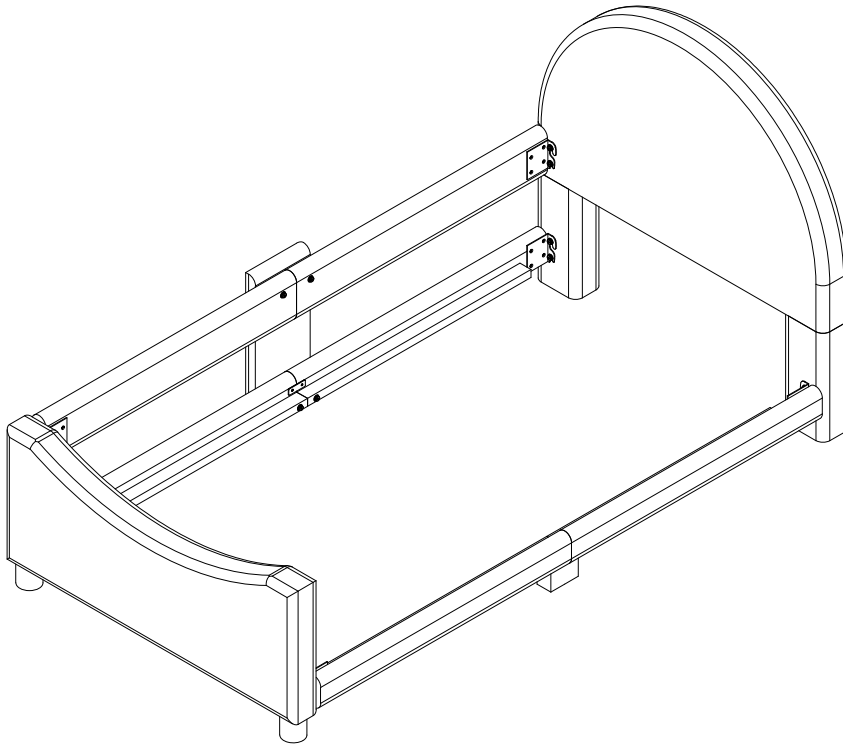
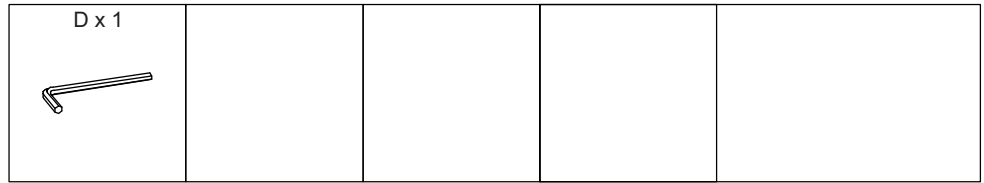


STEP 13

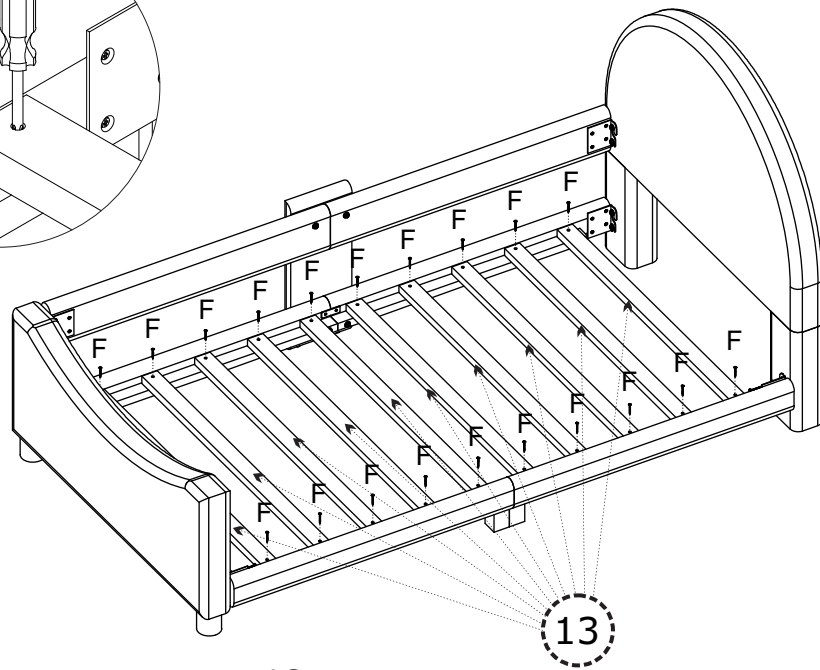
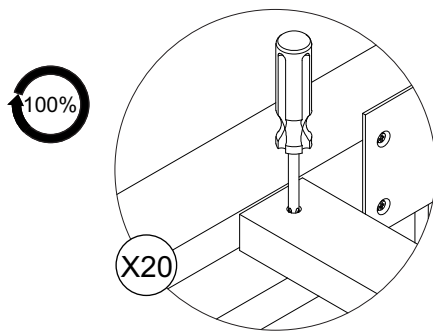
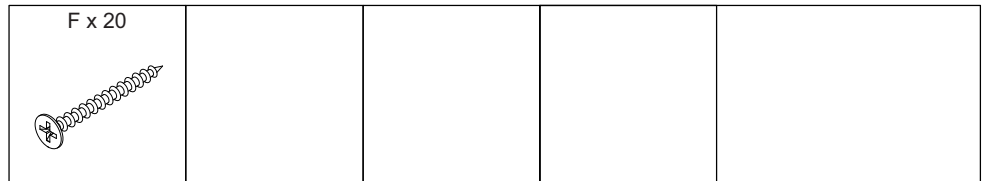
A x 2  Ø 5/16" x 38 mm	B x 2 	C x 2 	D x 1 	
-----------------------------------------------------------------------------------------------------------------	----------------------------------------------------------------------------------------------	----------------------------------------------------------------------------------------------	------------------------------------------------------------------------------------------------	--







STEP 14



STEP 15



STEP 16

<p>A x 4</p>  <p>Ø 5/16" x 38 mm</p>	<p>B x 4</p> 	<p>C x 4</p> 	<p>D x 1</p> 	
-----------------------------------------------------------------------------------------------------------------------	------------------------------------------------------------------------------------------------	------------------------------------------------------------------------------------------------	--------------------------------------------------------------------------------------------------	--

