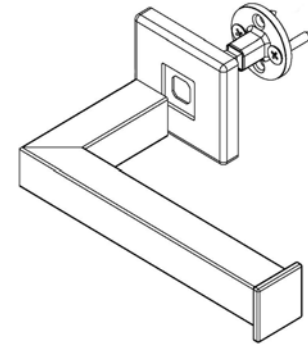
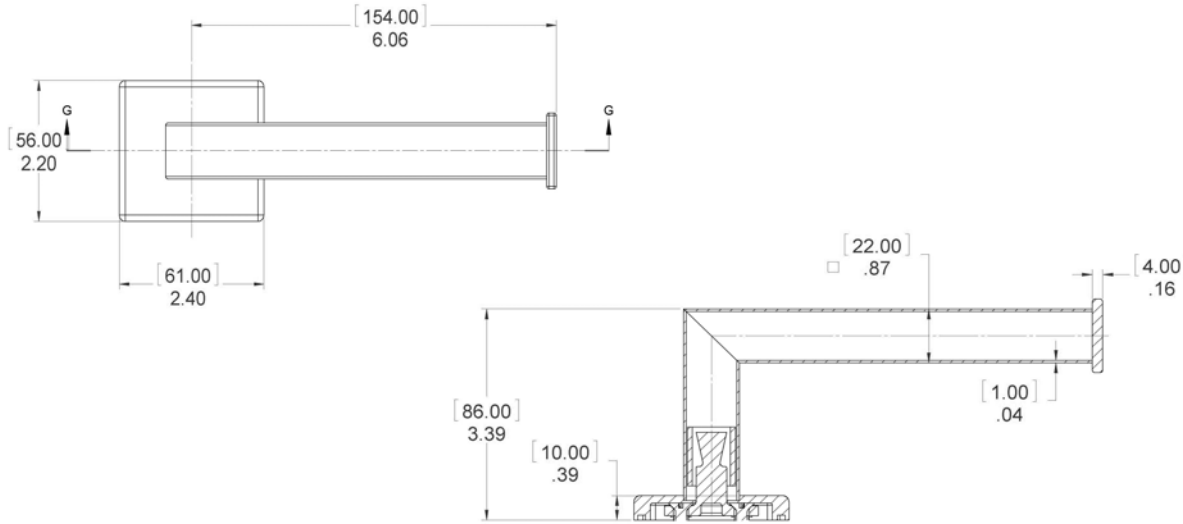


Preferred Bath Accessories Inc.
1031 E Mountain St. Kernersville, NC 27284
PH: 888-315-8816 FAX: 866-496-8122
www.preferredbathinc.com



1008-PC-MV-E Toilet Paper Holder
Available Finishes: Polished Chrome,
Brushed Nickel, Oil Rubbed Bronze
TECHNICAL DATA



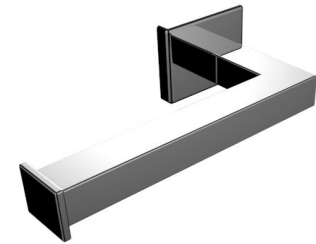
Installation:

Attach mounting bracket to wall with mounting screws. Slide post over bracket and tighten set screw.

Materials:

- Zinc Die Cast Post
- 2 - Stainless steel mounting screws
- 1 - Stainless steel set screws
- 2 - Drywall Anchors

Wood blocking preferred



Limited Warranty

Preferred Bath Accessories Inc. warrants to the purchaser that the product will be free from defects in material and workmanship. If the product does not comply with this warranty, Preferred Bath Accessories Inc. will repair or replace the product or, at Preferred Bath Accessories Inc.'s option, refund the purchase price. The limited warranty period is for the lifetime of the product. Limitations on the Warranty: The warranty does not cover, normal wear and tear, product abuse, neglect, improper installation or maintenance. Purchaser Requirements: If this product does not meet Preferred Bath Accessories Inc.'s warranty, return the product (postage prepaid) to the place of purchase with proof of purchase and a written claim briefly describing the defect. You may be required to provide other information or evidence of the defect.