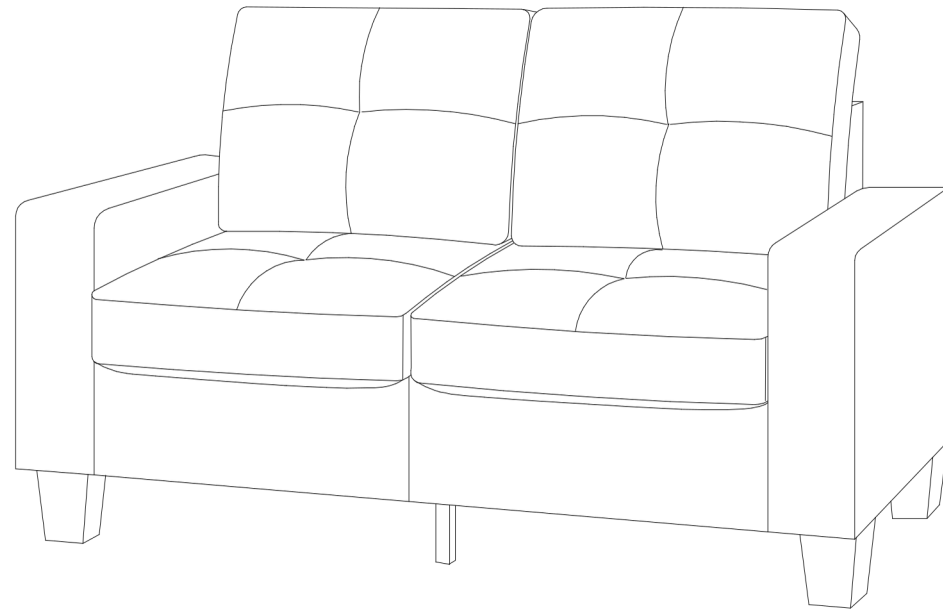


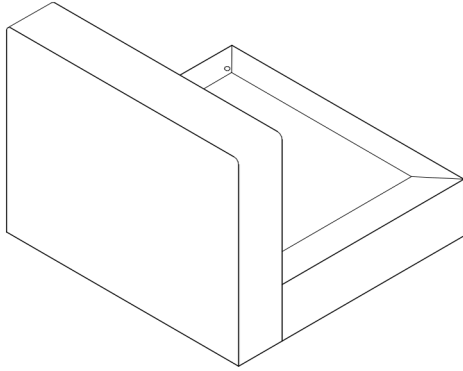
Attention:
Two people are required for assembly and lifting unit.

ASSEMBLY INSTRUCTION



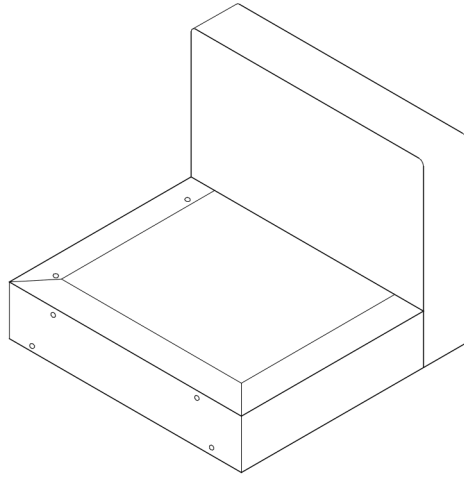
ASSEMBLY PART

1.



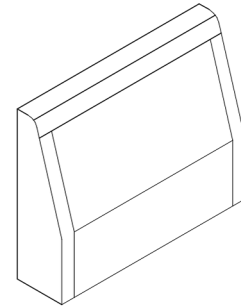
LEFT SIDE (1PC)

2.



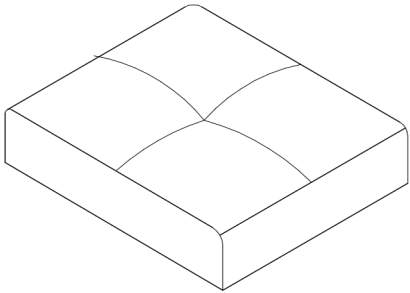
RIGHT SIDE (1PC)

3.



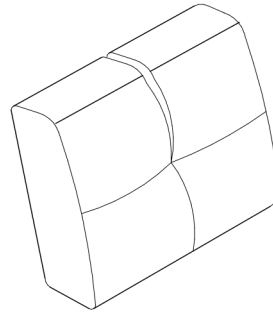
BACK REST (2PCS)

4.



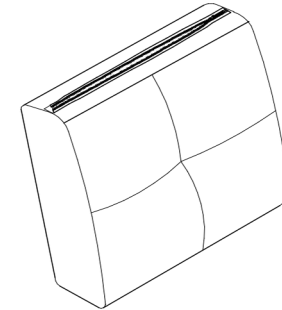
SEAT CUSHION (2PCS)

5.



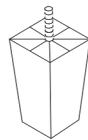
BACK PILLOWS INSIDE FILLING
(2PCS)

6.



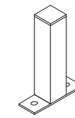
PILLOW CASE COVERS (2PCS)

8.



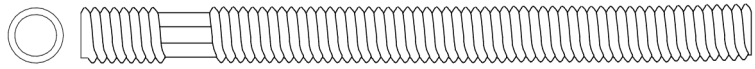
LEG (4PCS)

9.



CENTER LEG (2PCS)

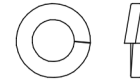
HARDWARE LIST



A

4PCS

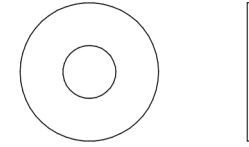
5/16 x 80mm



B

12 PCS

Spring Washer 5/16



C

12 PCS

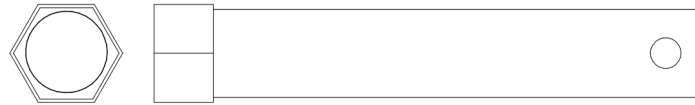
Flat Washer 5/16 x 22mm



D

8PCS

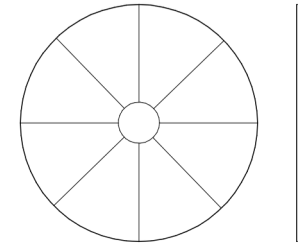
Hex Nut 5/16 x 12mm



E

1PC

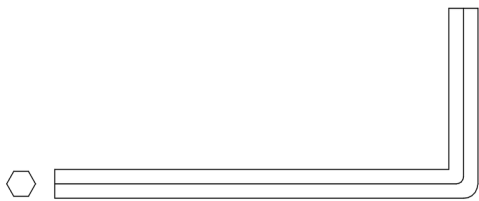
T Spanner



F

4PCS

Plastic Washer



G

1PC

Allen Key M4



H

1PC

Allen Key M5



I

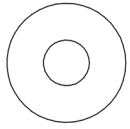
4PCS

Spring Washer 1/4

1 : 1



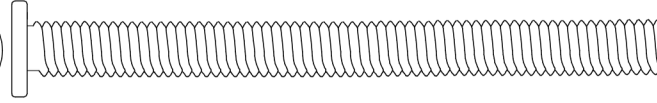
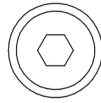
HARDWARE LIST



J

4PCS

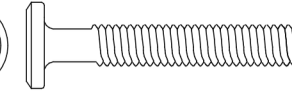
Flat Washer 1/4 x 16mm



K

4PCS

JCBB Bolt 5/16 X 80mm



L

4PCS

JCBC Bolt 1/4 X 40mm

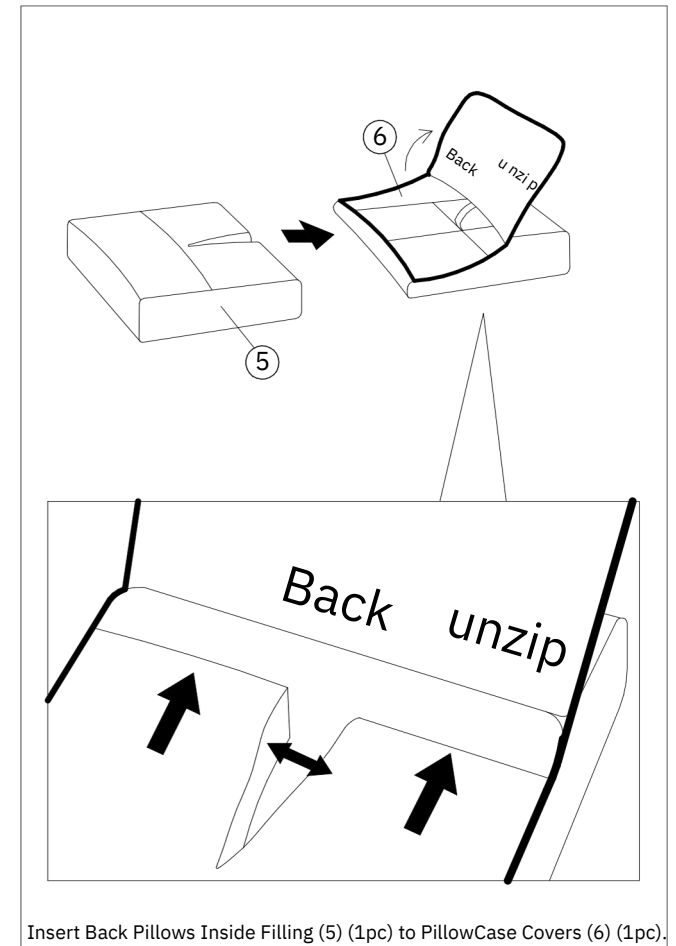
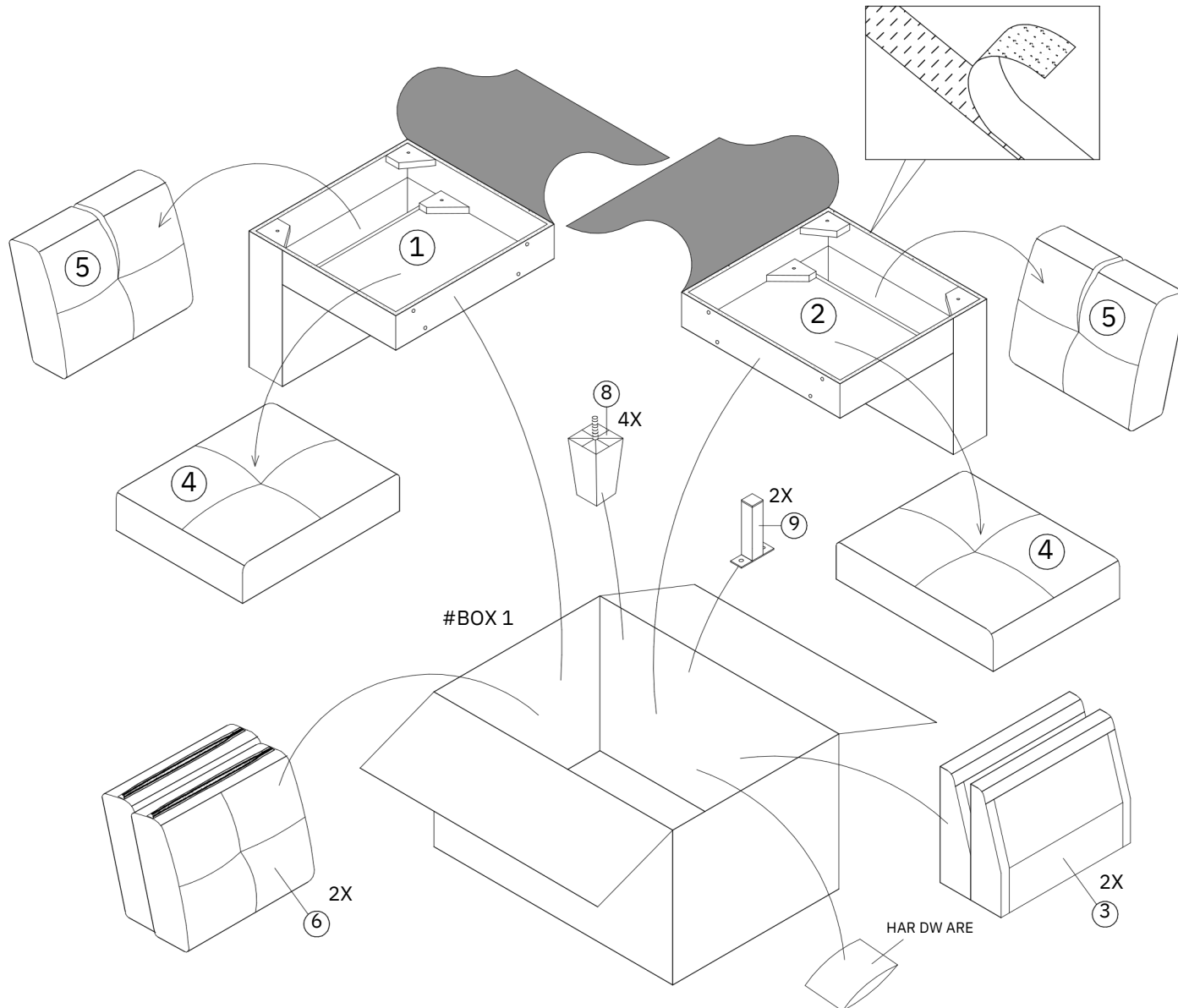
1:1



ASSEMBLY INSTRUCTION

STEP 1.

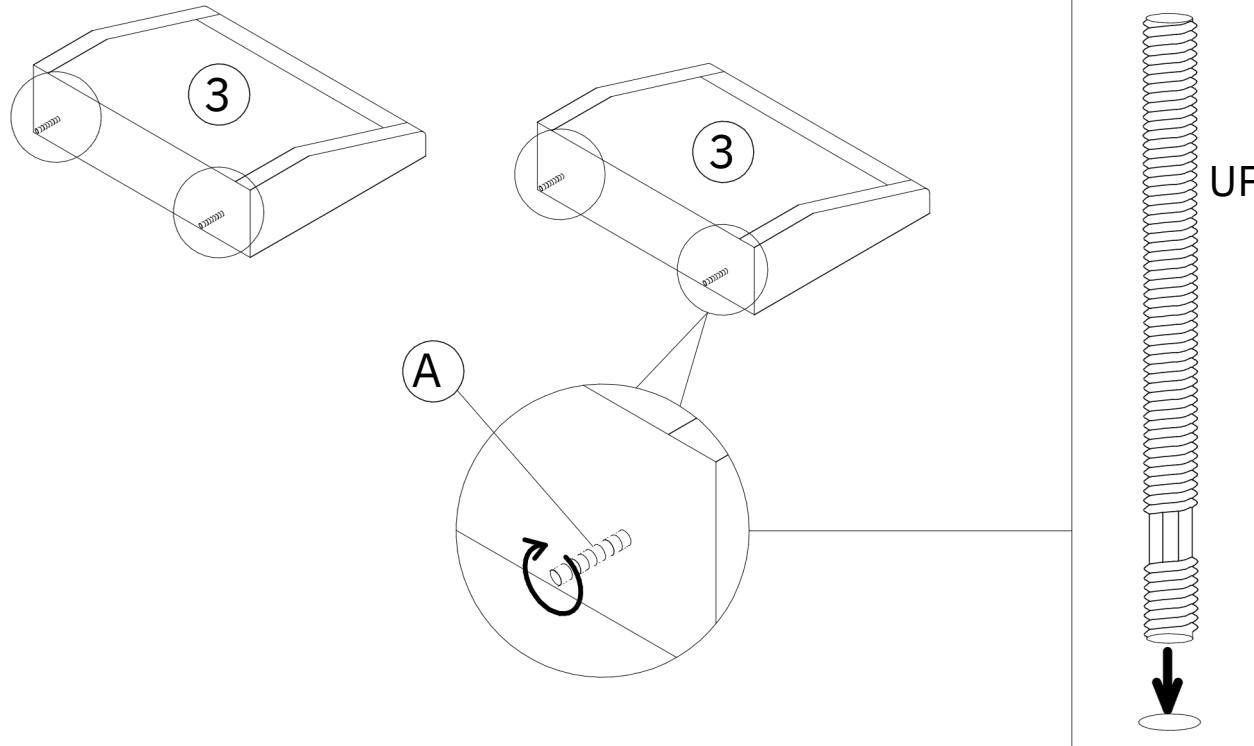
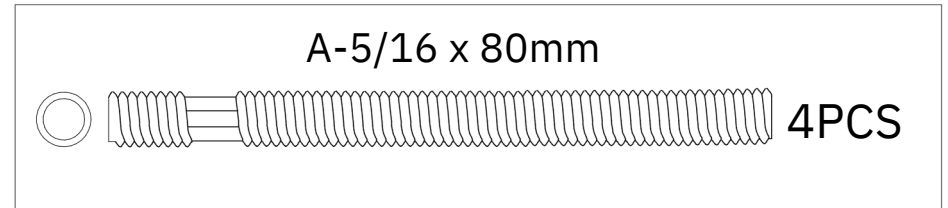
Open the cover cloth located behind the Left Side (1) and Right Side (2). Remove all parts and hardware.



ASSEMBLY INSTRUCTION

STEP 3.

Attach 5/16 x 80mm (A) (4pcs) to Back Rest (3) (2pcs).

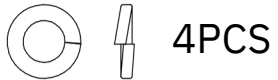


ASSEMBLY INSTRUCTION

STEP 4.

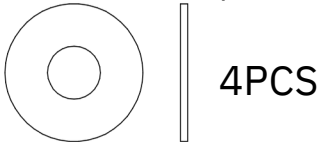
Attach the Back Rest (3) to Left Side (1) and to Right Side (2). Use Spring Washer 5/16 (B) (4pcs), Flat Washer 5/16 x 22mm (C) (4pcs), Hex Nut 5/16 x 12mm (D) (4pcs) and T Spanner (E) to fix.

B-Spring Washer 5/16



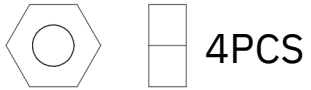
4PCS

C-Flat Washer 5/16 x 22mm



4PCS

D-Hex Nut 5/16 x 12mm

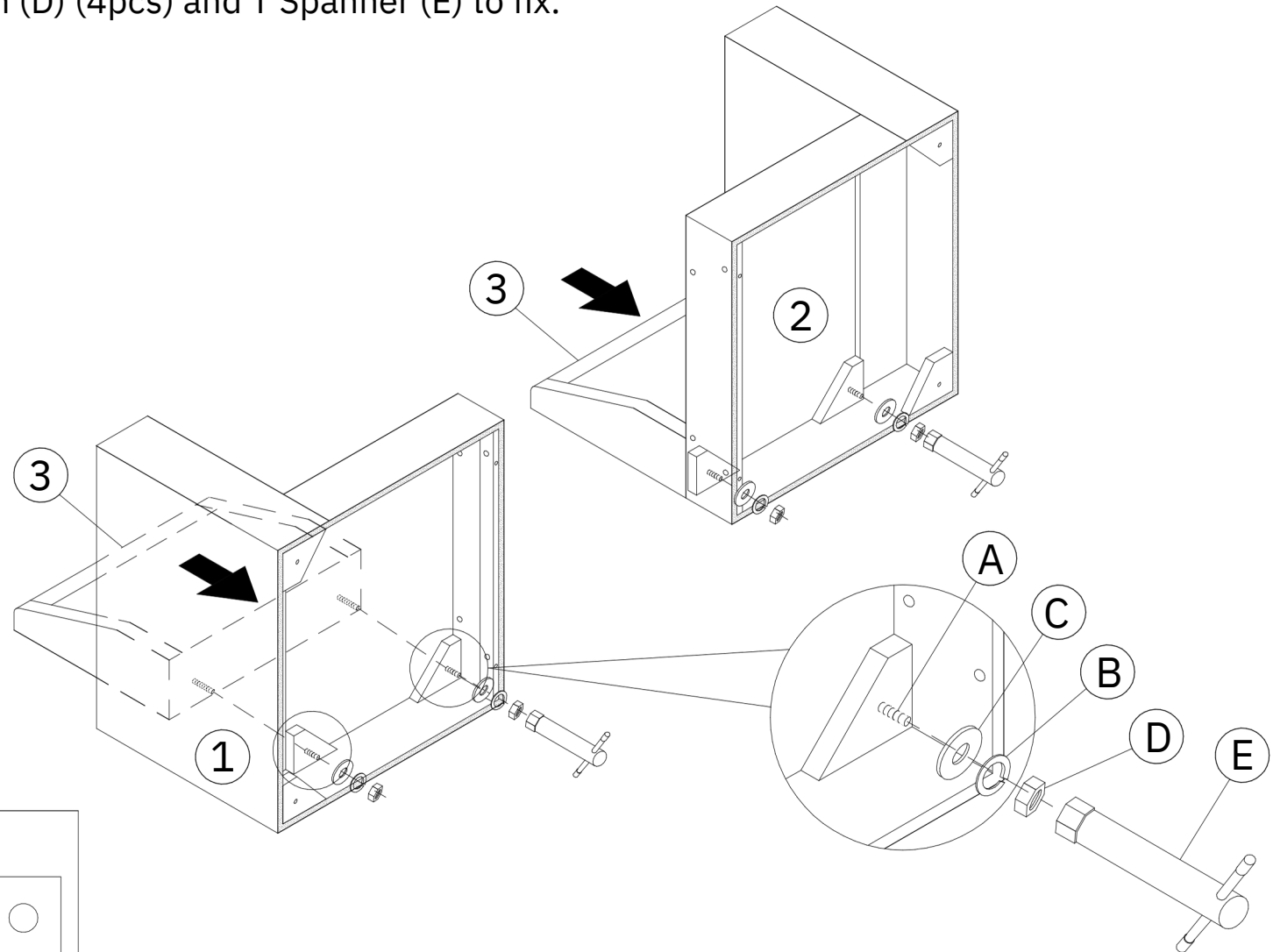


4PCS

E-T Spanner



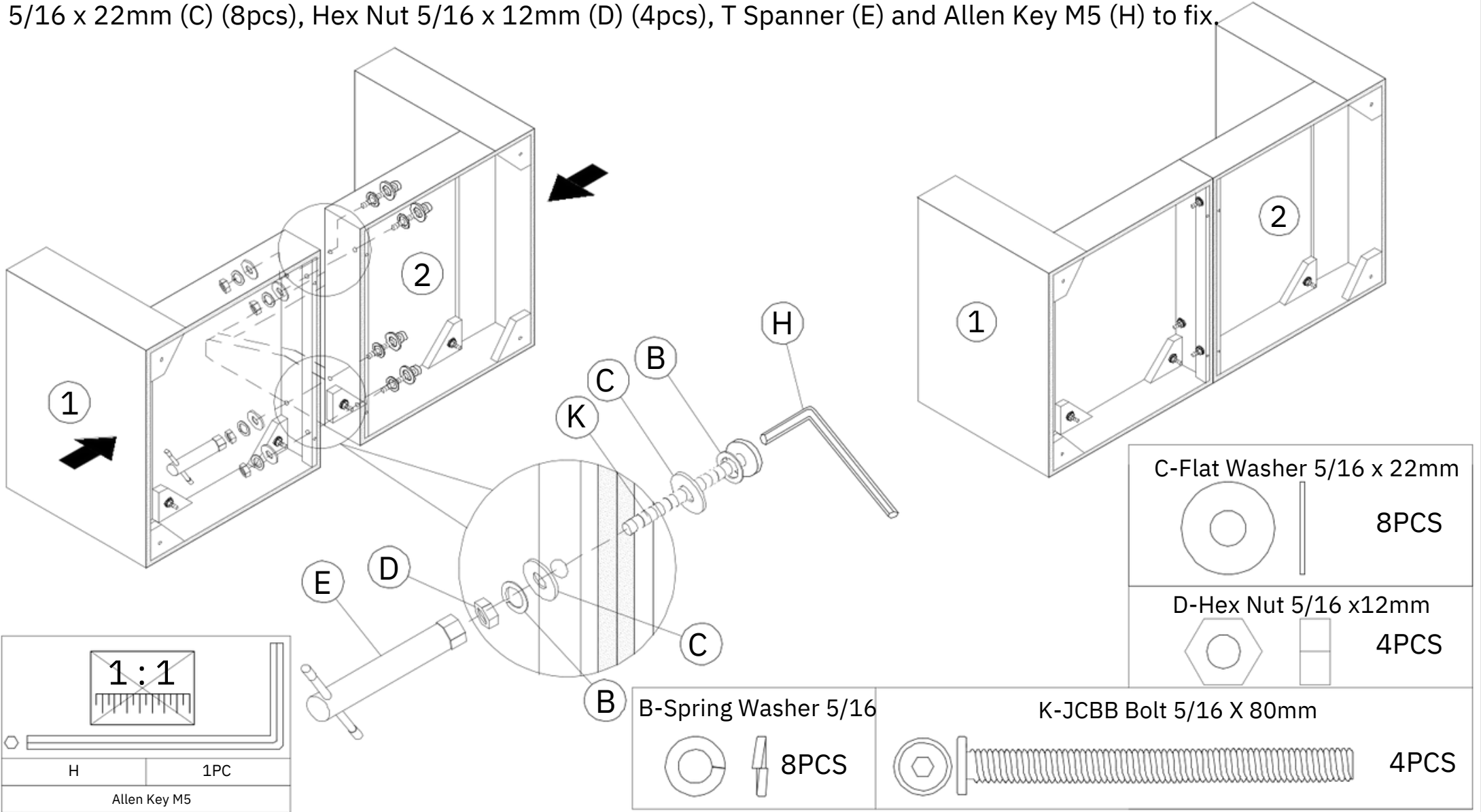
1PC



ASSEMBLY INSTRUCTION

STEP 5.

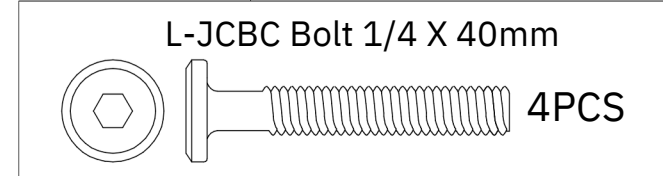
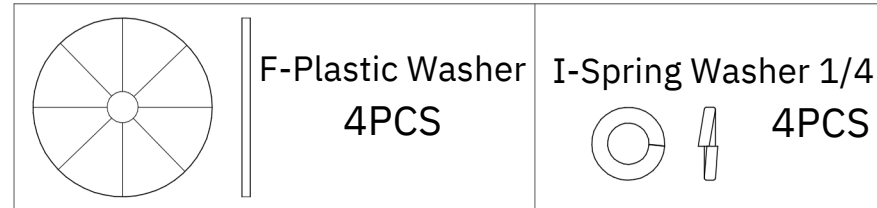
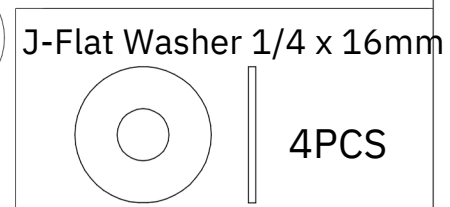
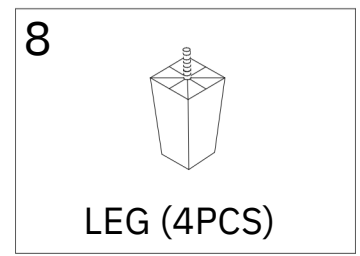
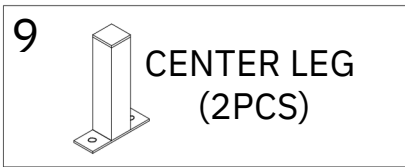
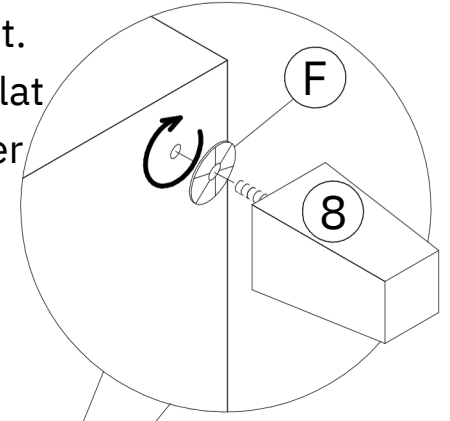
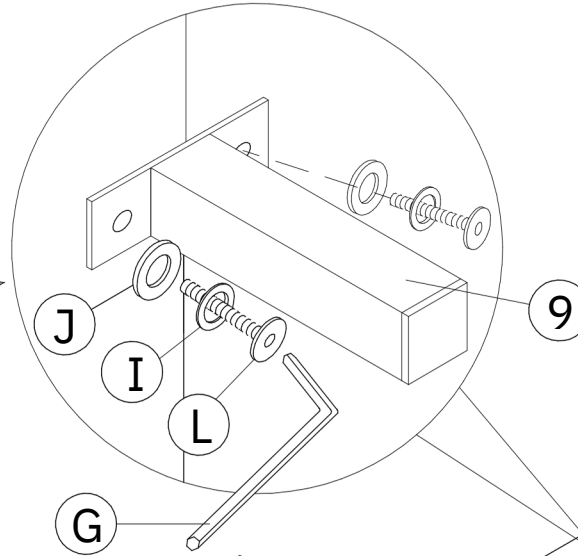
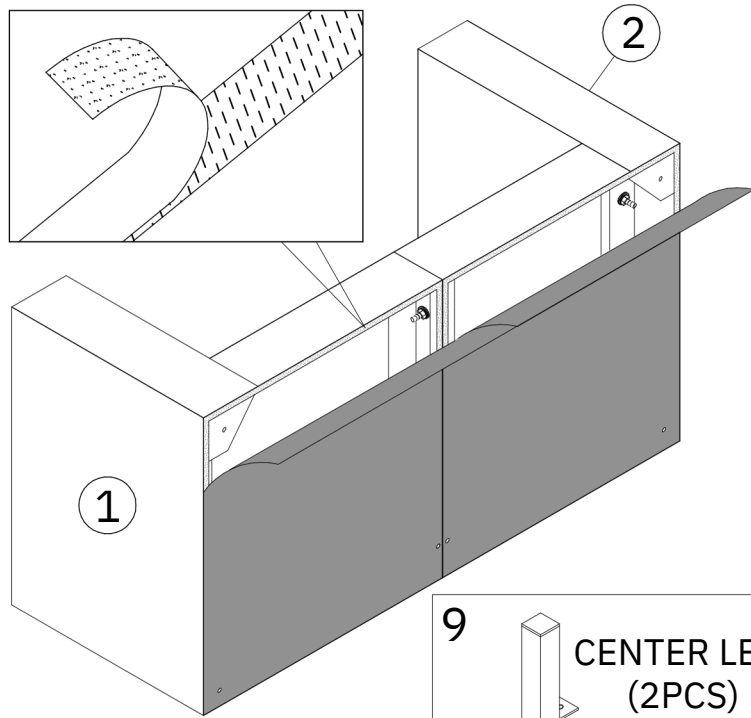
Attach Left Side (1) to Right Side (2). Use JCBB Bolt 5/16 x 80mm (K) (4pcs), Spring Washer 5/16 (B) (8pcs), Flat Washer 5/16 x 22mm (C) (8pcs), Hex Nut 5/16 x 12mm (D) (4pcs), T Spanner (E) and Allen Key M5 (H) to fix.



ASSEMBLY INSTRUCTION

STEP 6.

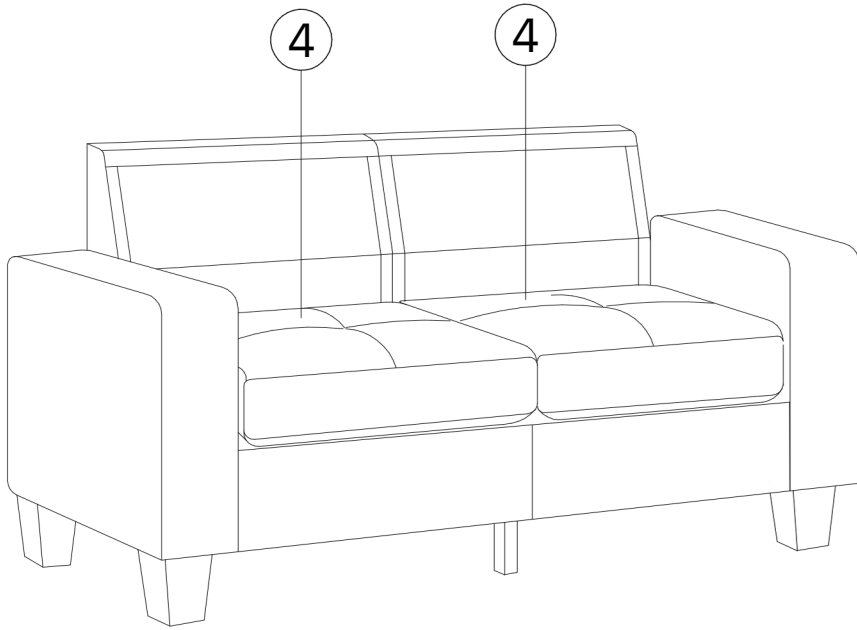
Take a Cover Cloth and closed with velcro. Attach Center Legs (9) (2pcs) to the center of the unit. Legs are to be attached using JCBC Bolt 1/4 x 40mm (L) (4pcs), Spring Washer 1/4 (I) (4pcs), Flat Washer 1/4 x 16mm (J) (4pcs) and Allen Key (G) to fix. Attach Legs (8) (4pcs) and Plastic Washer (F) (4pcs) to the four corners of the unit.



ASSEMBLY INSTRUCTION

STEP 7.

Attach the Seat Cushion (4) (2 pcs).



STEP 8.

Lay Back Pillow (5) (2 pcs).

