












Assembly Instructions

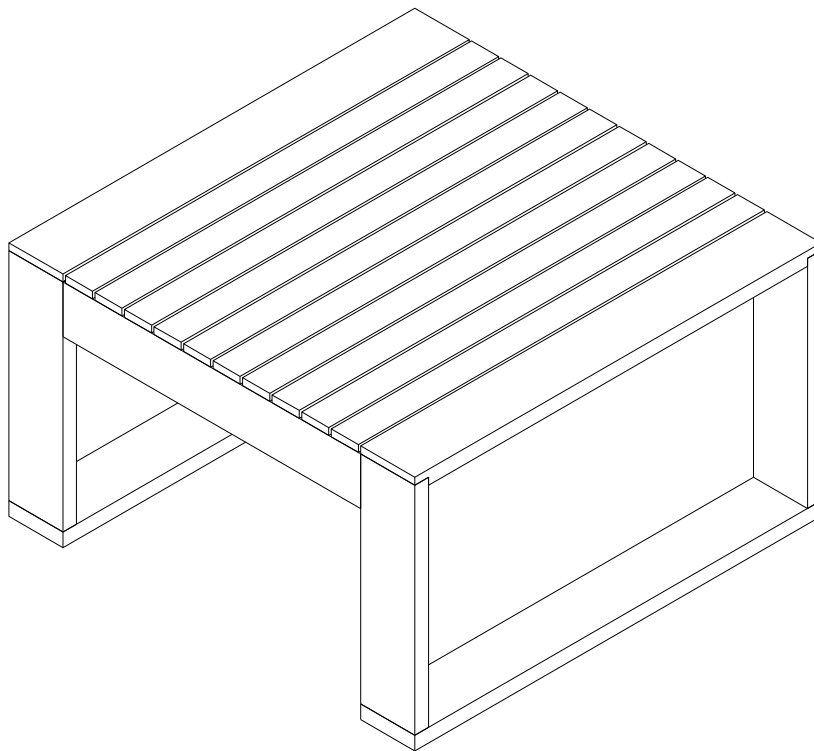
Caution : You must read this before you proceed

Care & Maintenance

- ⊘  • Not for commercial use. For residential use only.
- ⊘  • Prolonged exposure to rain may cause rusting which can stain floors.
- ⊘  • Do not put hot items directly on furniture surface.
- ⊘  • Do not clean furniture with harsh cleansers or polish.
- ✓  • To obtain the longest lifespan of your outdoor products, minimizing exposure to direct sunlight is recommended.
- ⊘  • Children should not climb or jump on the furniture.
- ⊘  • Do not write on furniture without a padded barrier to protect the surface.
- ✓  • To obtain the longest lifespan of your outdoor products, avoid extended and lengthy exposure to rain, snow, and direct sunshine. Whenever possible cover the product and /or place under patio or awnings.
- ⊘  • Stains may be removed with mild soap solution and damp cloth.
- ✓  • Keep away from sources of ignition.
- ✓  • Dust and pick-up spills using a clean, non-colored, lint-free cloth.

Please look into the Seat Panel for hardware packs

COFFEE TABLE

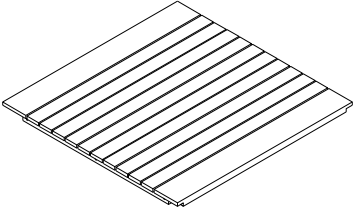
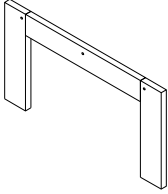
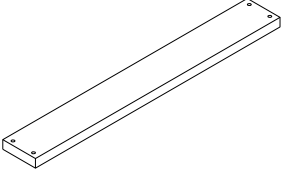


Caution: This Table is NOT a TOY.



Keep your child/children at bay during the assembly process.

Whenever lifting or moving the Table and to prevent damage to the Table, two adults may be needed to execute these actions.

Parts List

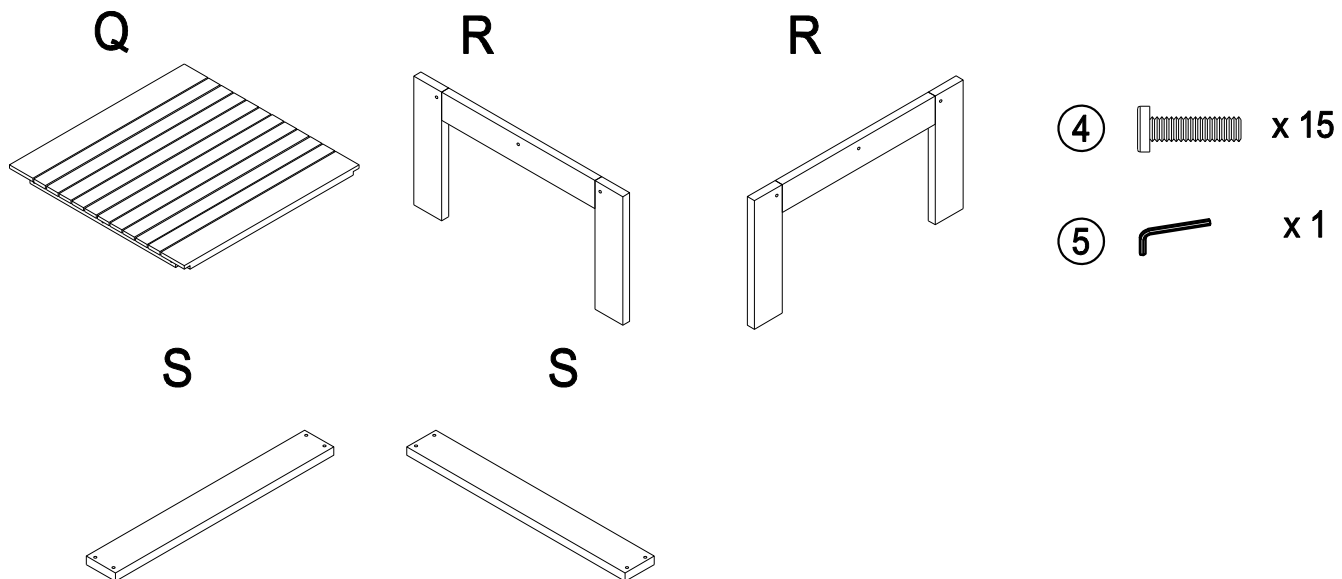
Label	Picture	Description	QTY
Q		Table Top	1
R		Table Leg	2
S		Table Foot Leg	2

Parts List

Label	Picture	Description	QTY
④		Bolts (M6x30)	15
⑤		Allen Wrench (M4)	1

Assembly Preparation

Before Beginning Assembly





- Read instructions, cover to cover.



- Have 2 adults on hand for assembly.



- Do not assemble on flooring or carpet.



- Assemble on a clean non-marring surface (packing foam).



- Save all packaging until finished.

Assembly Preparation

Overview

Table Top (Q)

Table Leg (R)

Table Loo^t Leg(S)

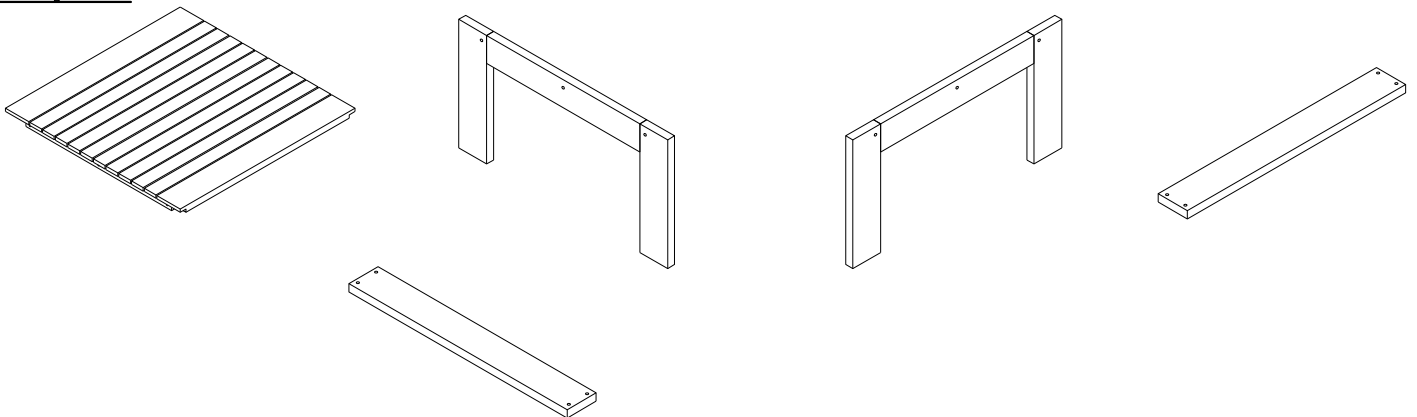
FRONT VIEW

Table Leg (R)

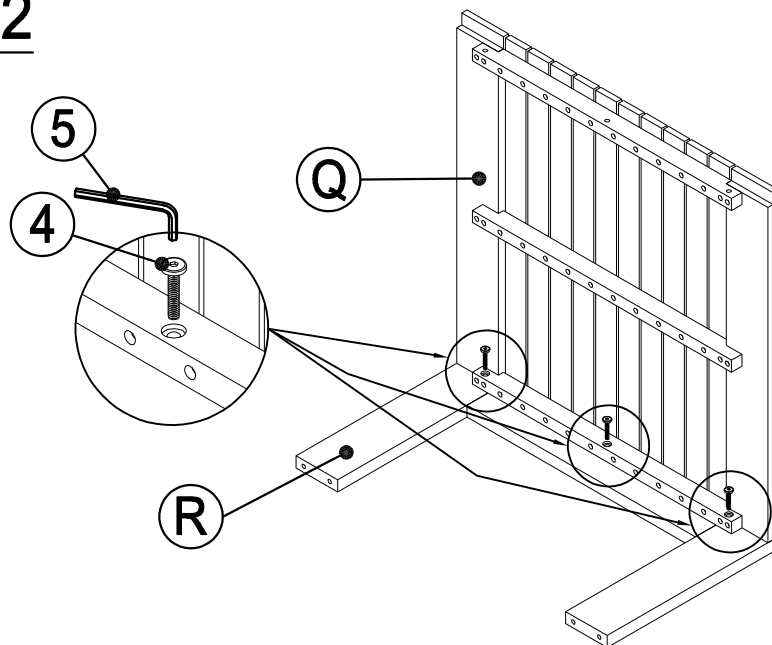
Table Foot Leg(S)

This Table has multiple parts and may require up to some 30 minutes to assemble. To give you an overview of the Table, the above picture is to help you put the various parts into perspective. Please read through the instructions here below to familiarise the parts and steps before assembly.

Step 1



Step 2



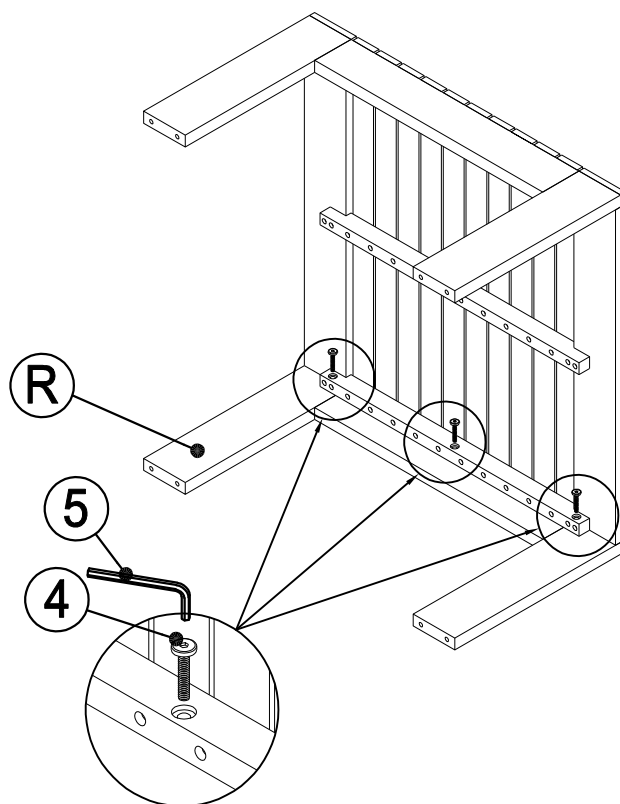
Place all the parts on a clean, non-marring surface.

Attach Table Top (Q) together with Table Leg (R)

Lock in the mounting position, using Bolts (4), and Allen Wrench (5).

Do not fully tighten the Bolts.

Step 3

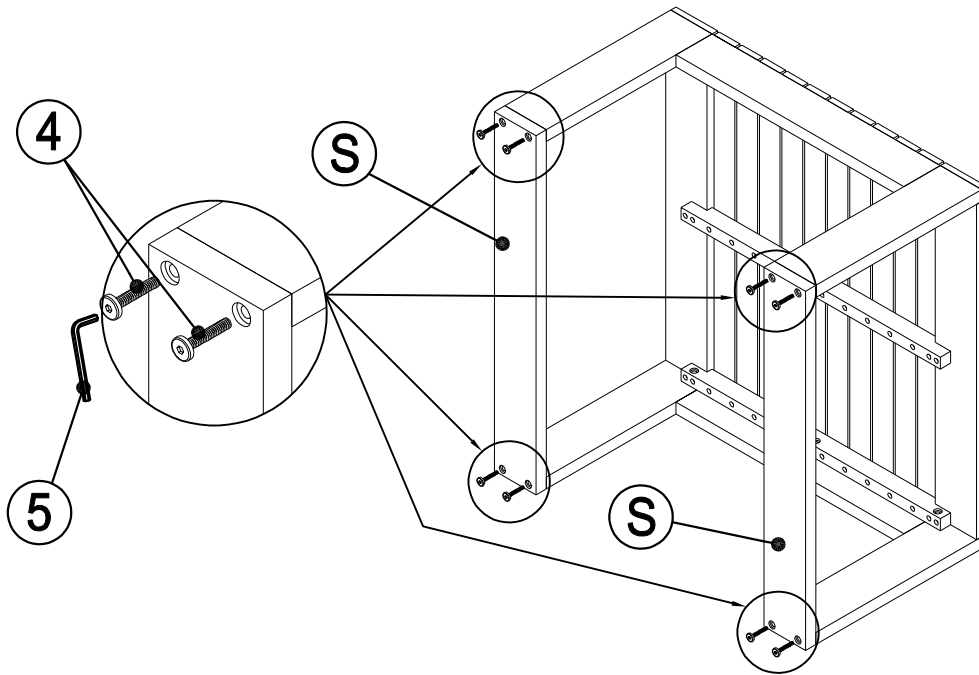


Attach Table Leg (R) With Table Top (Q).

Lock in the mounting position, using Bolts (4), and Allen Wrench (5).

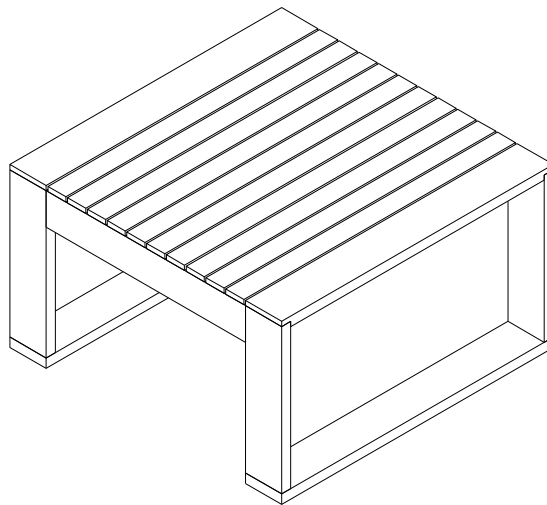
Do not fully tighten the Bolts.

Step 4



Attach Table Foot Leg (S) with Table Leg (R)
Lock in the mounting position, using Bolts (4) and Allen Wrench (5)
Do not fully tighten the Bolts.

Step 5



Inspect it and make sure all parts are adequately connected.
In a sequential manner, ensure all screws are fully locked into position and secured.
The Coffee Table is ready to be used.

CAUTION : When tightening these screws, tighten sequentially.

DO NOT tighten any screw fully and then towards the next one.

This would cause the frame to warp.

**If there is still wobbles, loosen the screws and execute this same drop tests.
IF TABLE IS NOT STABLE , IT COULD LEAD TO DAMAGING THE PRODUCT.**