

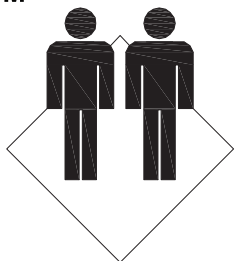
## USER'S MANUAL Dressing Table Set

THIS INSTRUCTION BOOKLET CONTAINS **IMPORTANT** SAFETY INFORMATION. PLEASE READ AND KEEP FOR FUTURE REFERENCE.

### **Please give us a chance to make it right and do better!**

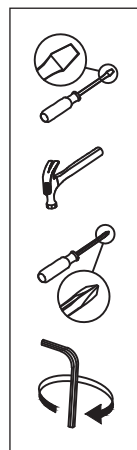
Contact our friendly customer service department for help first.  
Replacements for missing or damaged parts will be shipped ASAP!

**FLOOR AREA  
2MX2M**

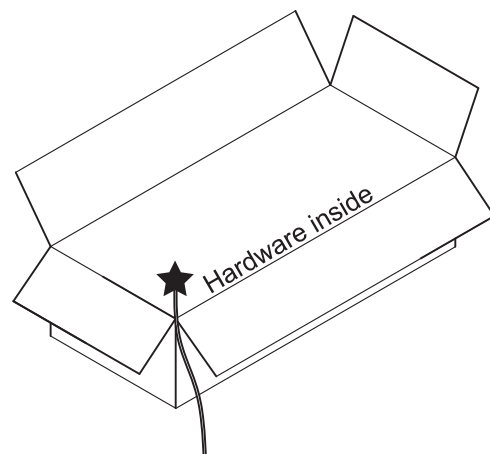


**ASSEMBLED BY 2 ADULTS**

# Before You Start



- ⚠ Read each step carefully before starting. It is very important to ensure each step followed in correct order, otherwise assembly difficulties may occur.
- ⚠ Most of board parts are labeled or stamped on the raw edges. Have a check to make sure all parts are included.
- ⚠ Work in a spacious area, preferably on a carpet close to where the unit will be used.
- ⚠ Keep the handtools close at hand. Do not use power tools to assemble your furniture. They may scratch or damage the parts.



## General Guidelines

- Please read the following instruction carefully and use the product accordingly.
- Please keep this manual and hand it over when you transfer the product.
- This summary may not include every detail of all variations and considered steps. Please contact us when further information and help are needed.

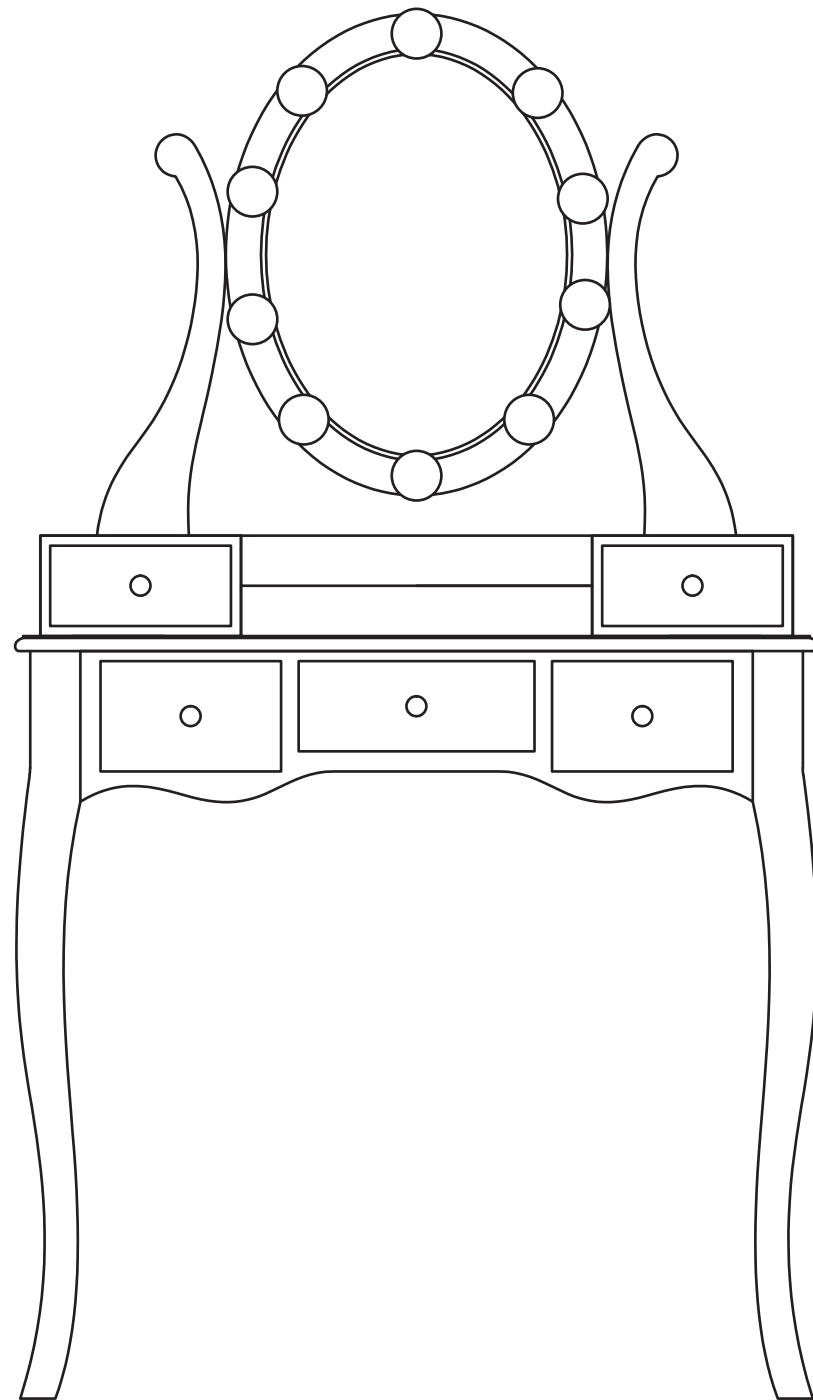
## Notes

- This product is only intended for home use. The seller does not take any responsibility for damage or injury if user disregards this instruction.
- Please fix the product to the wall with the safety strap provided in case of toppling. Because construction materials vary, please consult a local professional for the most suitable way to fix your product to the wall.
- Prior to assembly, please check the product for defects or missing parts. Do not place unwrapped product directly on the floor to avoid paint peeling.
- It is recommended that the product be assembled by two people. Please assemble the product on soft surface to avoid damage to the product.
- Semi-tighten all screws in each of their desired positions, then fully tighten them.
- Do not tighten screws with an electric drill as it may cause damage. Please use a screwdriver (not provided) only.
- After assembly, place the product in the ventilated place for a few days.
- Please check screws, bolts and connecting points periodically and retighten if necessary.
- Keep product surfaces away from sharp objects and corrosive chemicals.
- Protect the surfaces from heat sources and liquids with mats and coasters. Wipe off spilled liquids immediately.
- Put a pad under the paper when you write on it.
- Do not expose the product to strong sunlight and humidity in case of accelerated aging of lacquer and distortion.
- Do not place heavy objects on the product or shake it in case of distortion and paint peeling.
- Please seek assistance when moving the product. Do not pull or drag the product in case of damage or injury.
- Please fully disassemble the product when moving it to other places (such as moving to a new home) to prevent damage or injury. Please keep all original parts for reassembly.
- Please fully clean the product by cloth with a neutral detergent and wipe it with soft cloth.

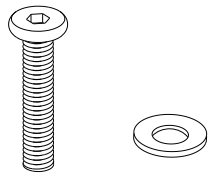
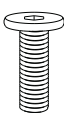
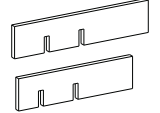
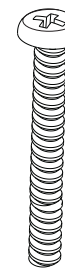
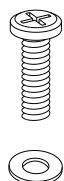
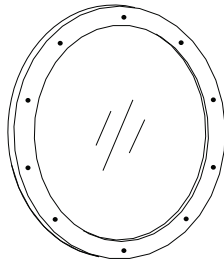
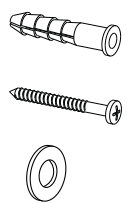
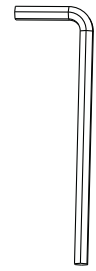
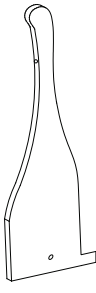
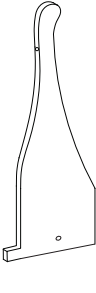
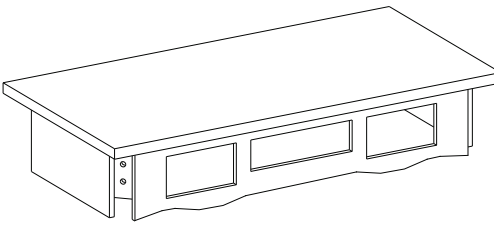
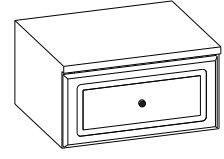
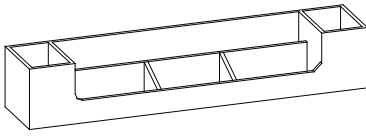
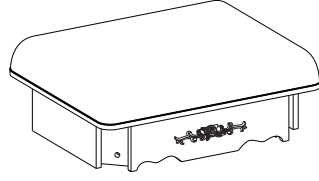
## warnings

- Toppling of the product may cause severe or fatal injury.
- Stop using the product if any parts are missing or damaged.
- Children could only use the product under adult supervision. It is forbidden children to climb or play on the product to prevent body injury caused by toppling or mirror breaking.
- During the assembly, keep any small parts out of the reach of children in case of fatal danger caused by swallowing or inhalation.
- Keep all parts of packaging materials (films, plastic bags, foam boards, etc.) out of reach of children, especially toddlers and babies to avoid any potential danger (such as suffocation).



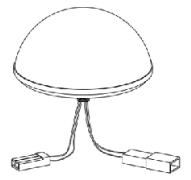
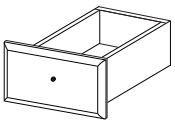
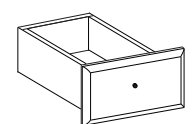
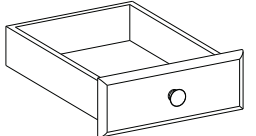


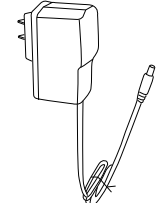
## Part List



## PARTS LIST

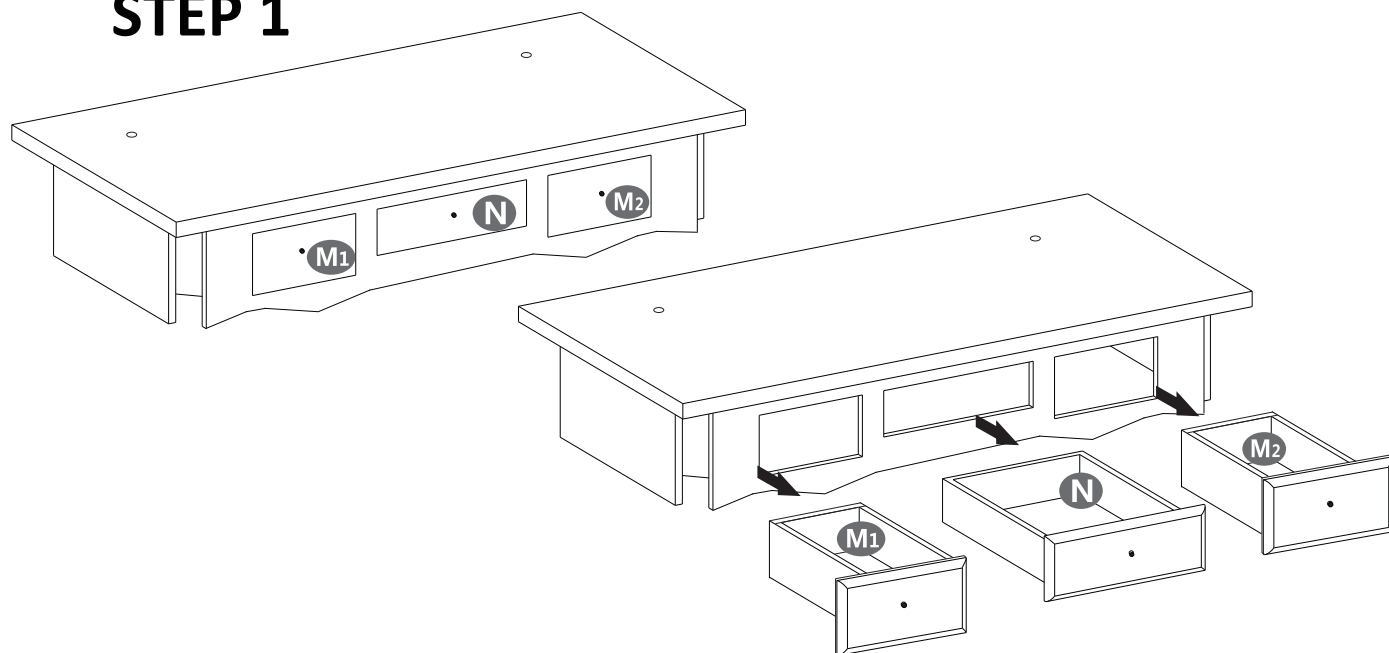
<p><b>A1</b> ×16</p>  <p>M 6 × 40m m    M 8m m</p>	<p><b>A2</b> ×2</p>  <p>M 6 × 20m m</p>	<p><b>D</b> ×1</p> 	
<p><b>A3</b> ×2</p>  <p>M 4 × 50m m</p>	<p><b>A4</b> ×2</p>  <p>M 5 × 20m m</p>	<p><b>E</b> ×1</p> 	
<p><b>B</b> ×1</p> 	<p><b>C</b> ×1</p> 	<p><b>F1</b> ×1</p> 	<p><b>F2</b> ×1</p> 
<p><b>H</b> ×1</p> 		<p><b>G</b> ×2</p> 	
<p><b>I</b> ×1</p> 	<p><b>J</b> ×1</p> 		

## PARTS LIST

<b>K</b>  ×4	<b>L</b>  ×4	<b>S1</b>  11×
<b>M1</b>  ×1	<b>M2</b>  ×1	<b>N</b>  ×1
<b>S3</b>  1×	<b>S4</b>  1×	<b>S2</b>  1×

## PRODUCT ASSEMBLY

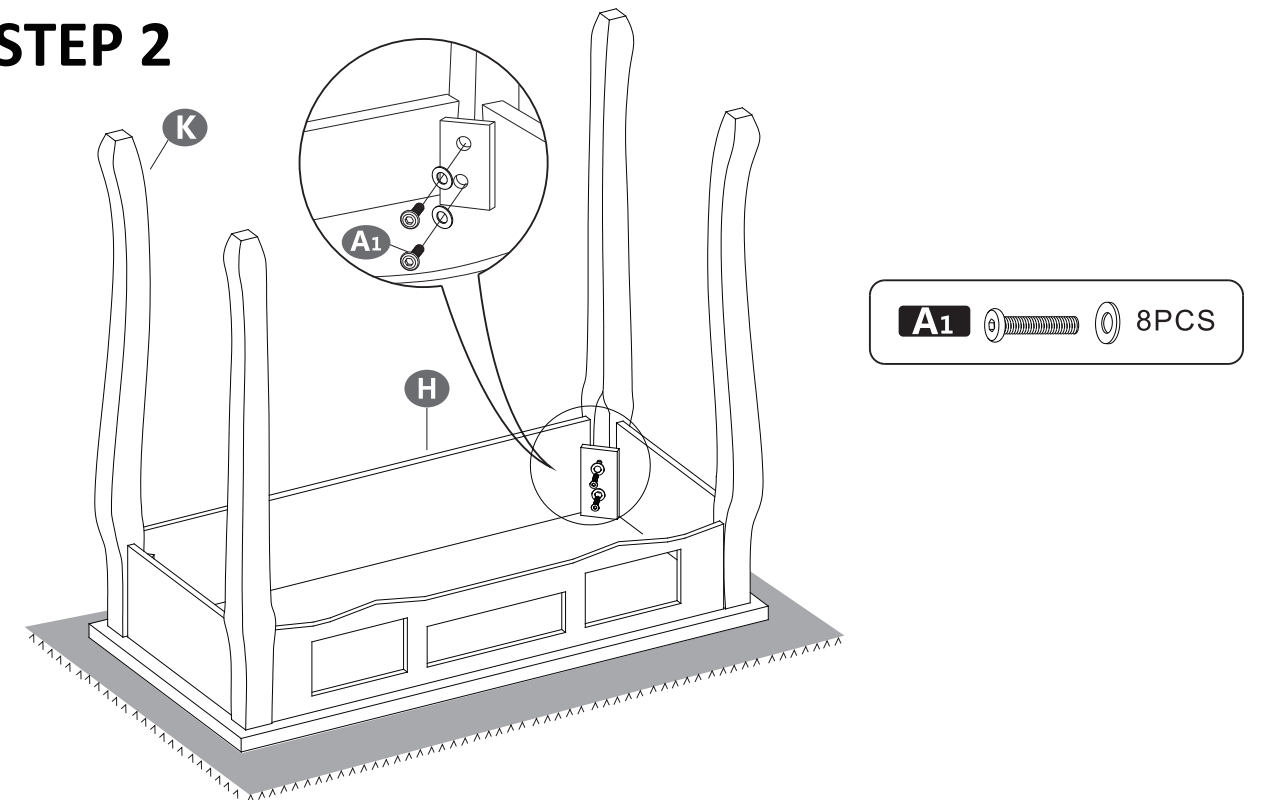
### STEP 1



6

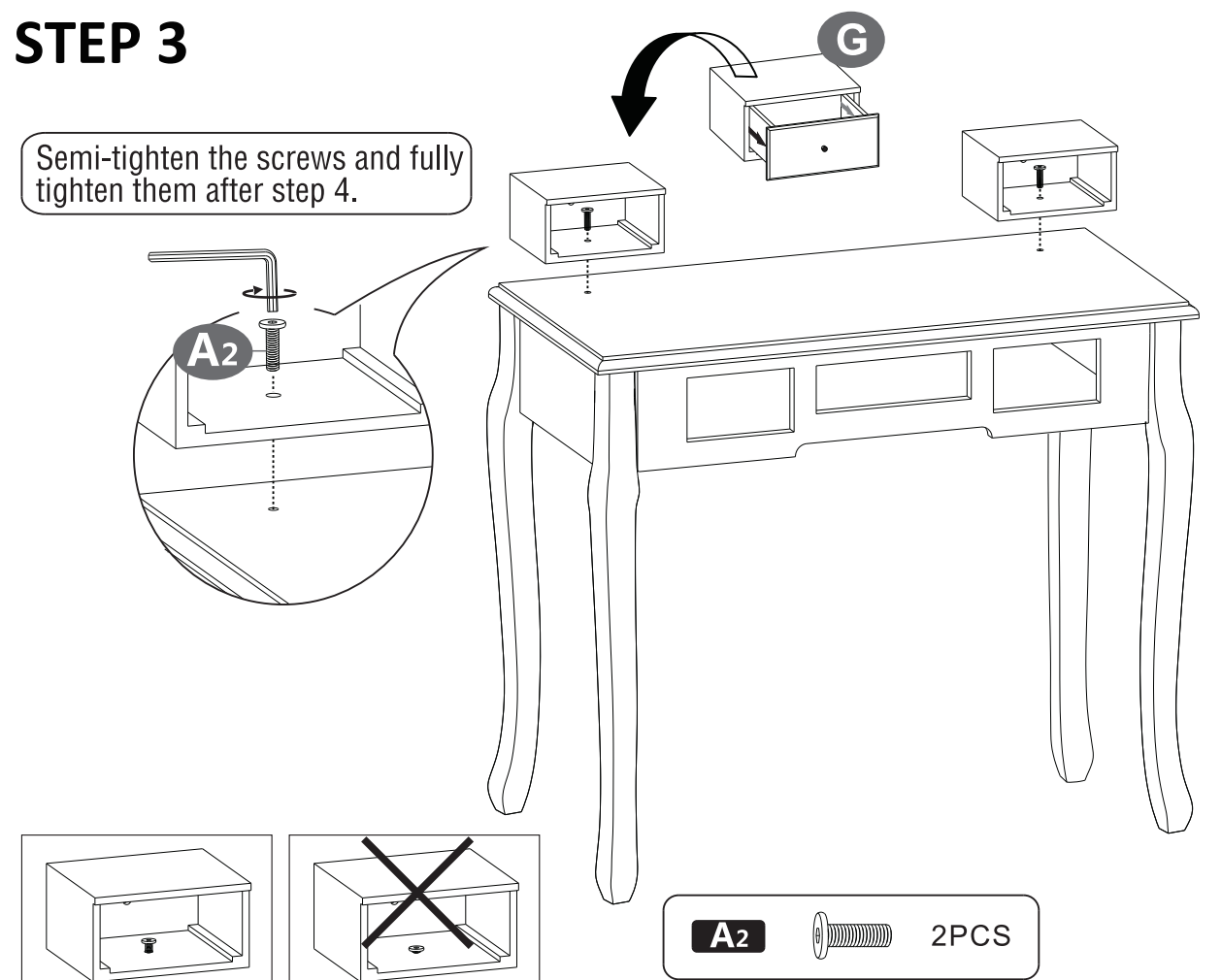
## PRODUCT ASSEMBLY

### STEP 2



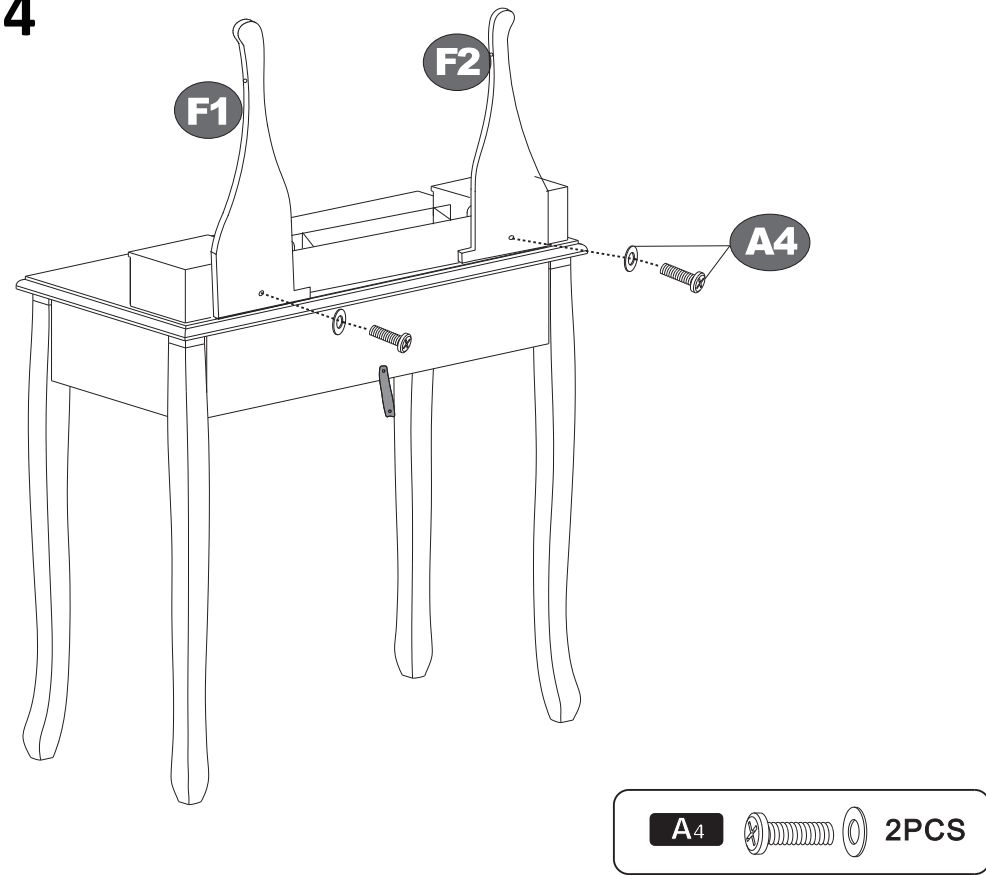
### STEP 3

Semi-tighten the screws and fully tighten them after step 4.

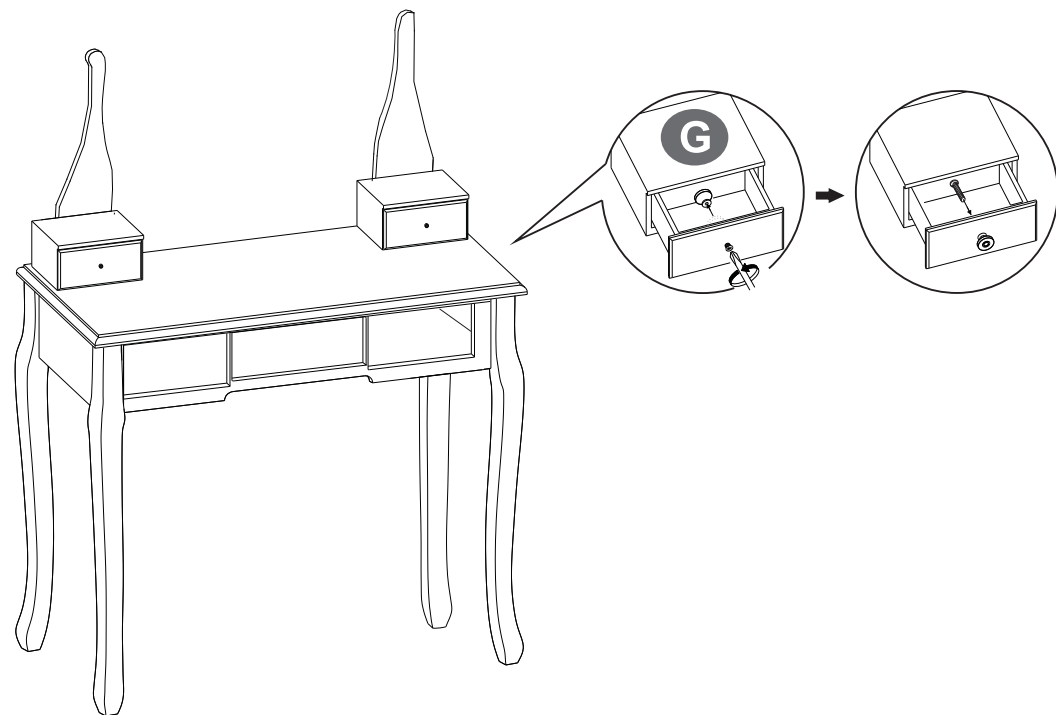


7

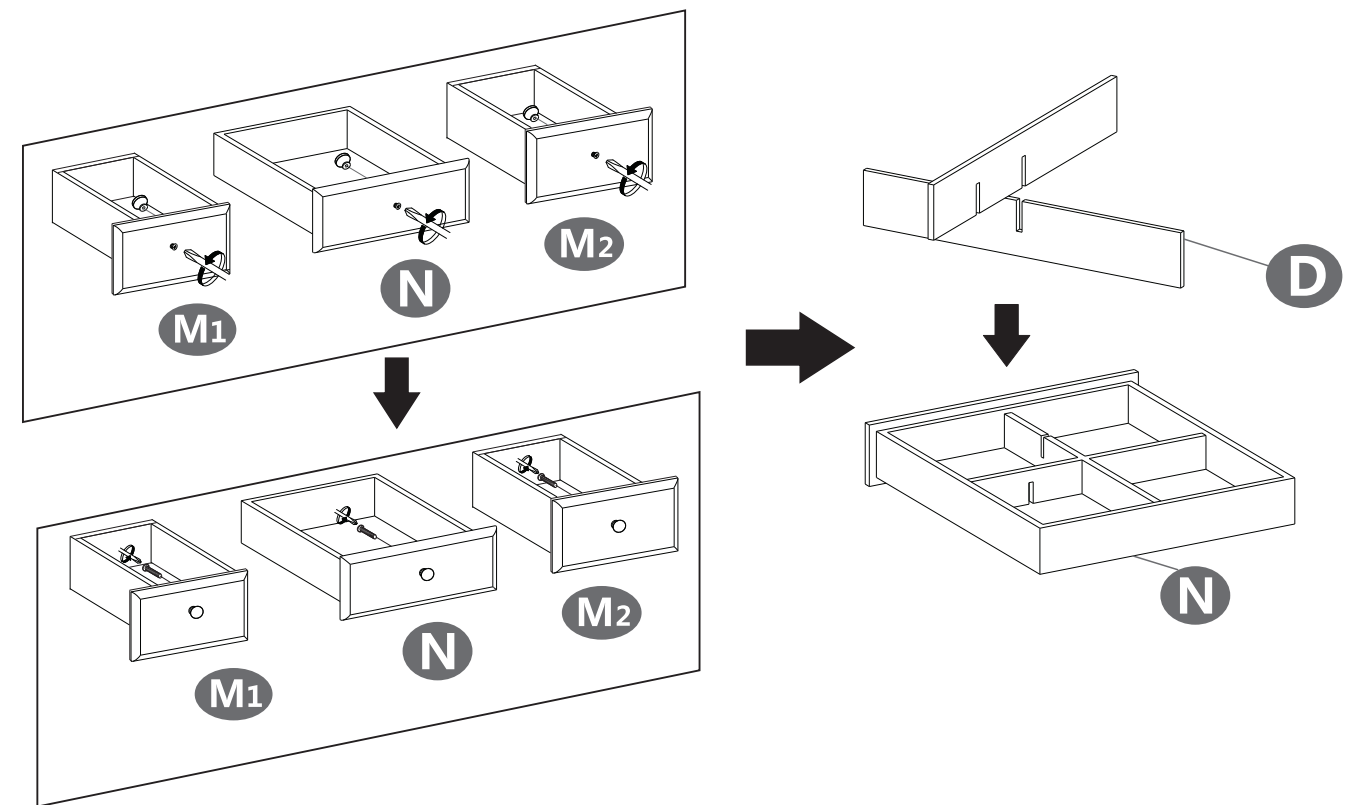
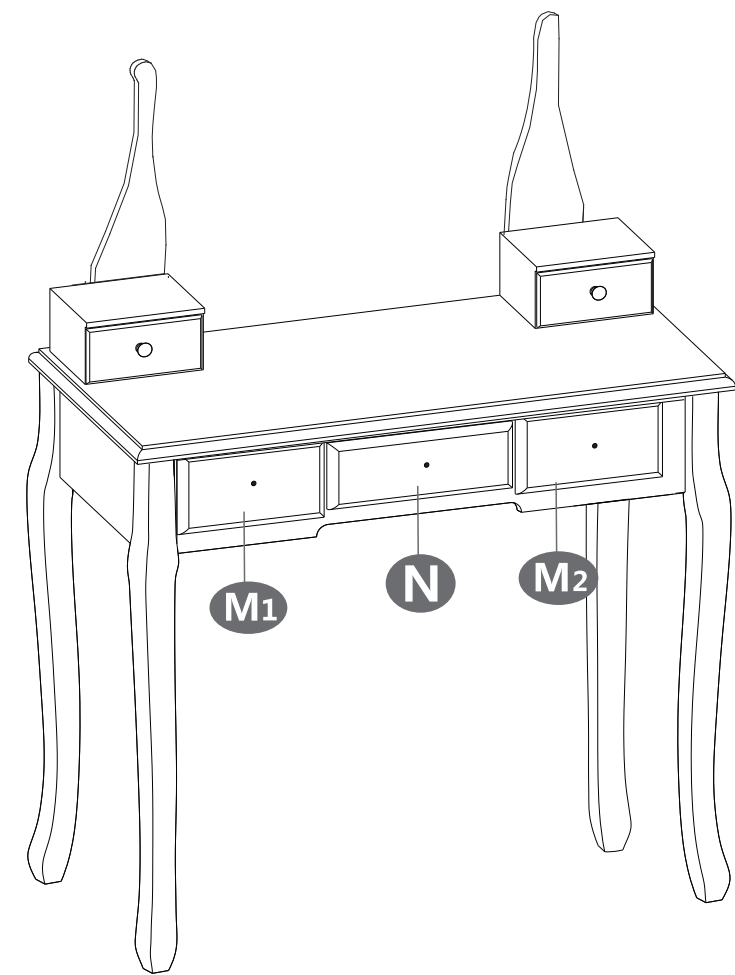
STEP 4



STEP 5

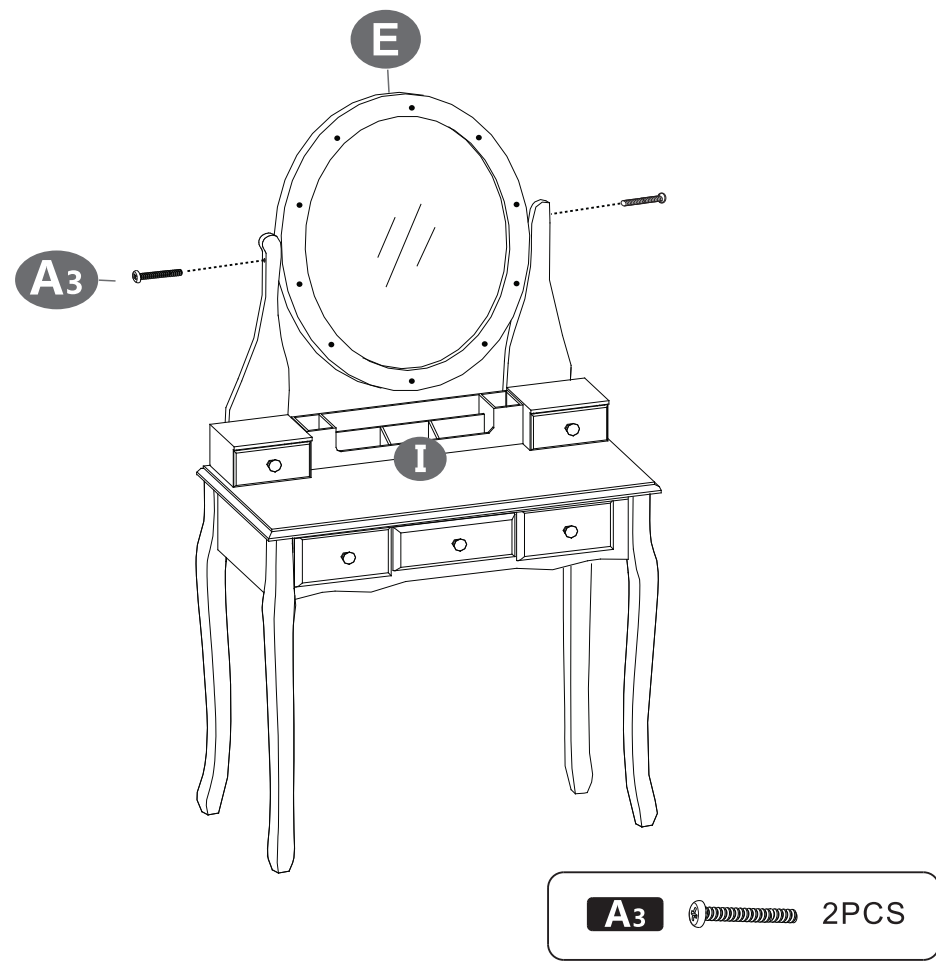


STEP 6

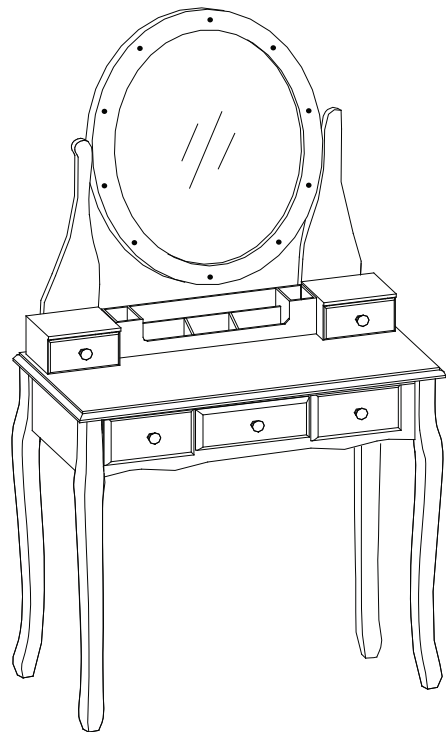


**PRODUCT ASSEMBLY**

**STEP 7**

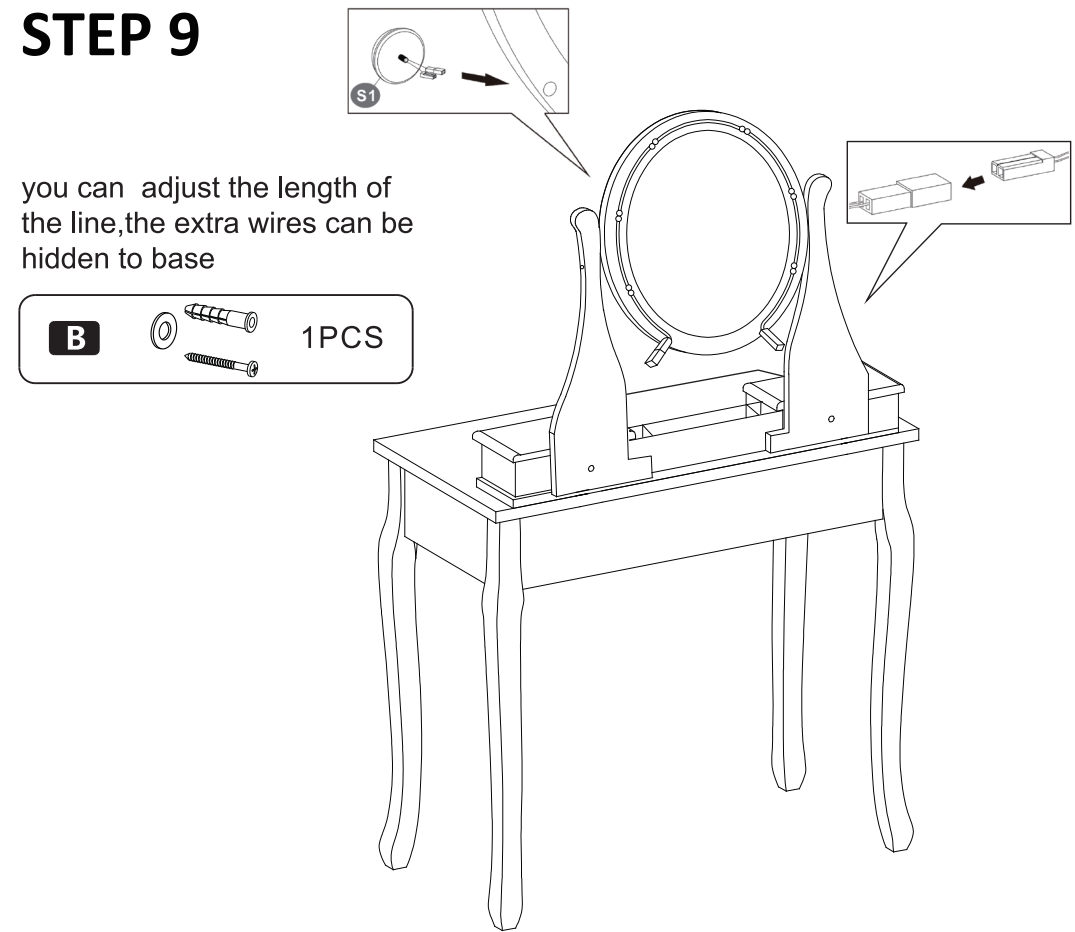


**STEP 8**

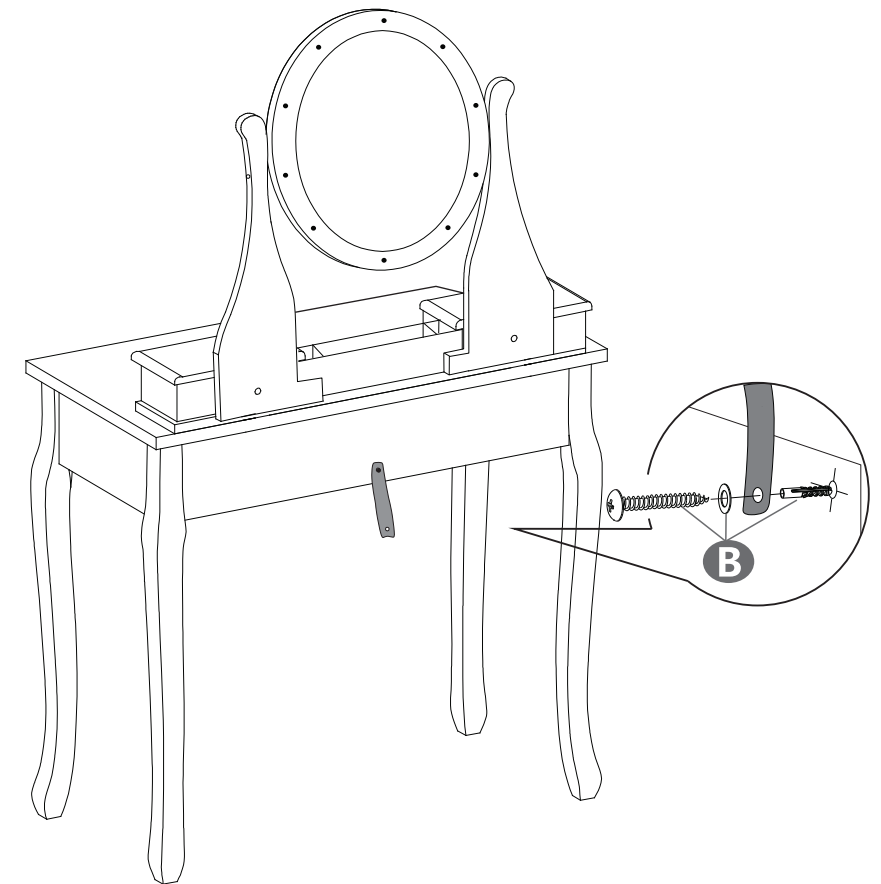


**PRODUCT ASSEMBLY**

**STEP 9**

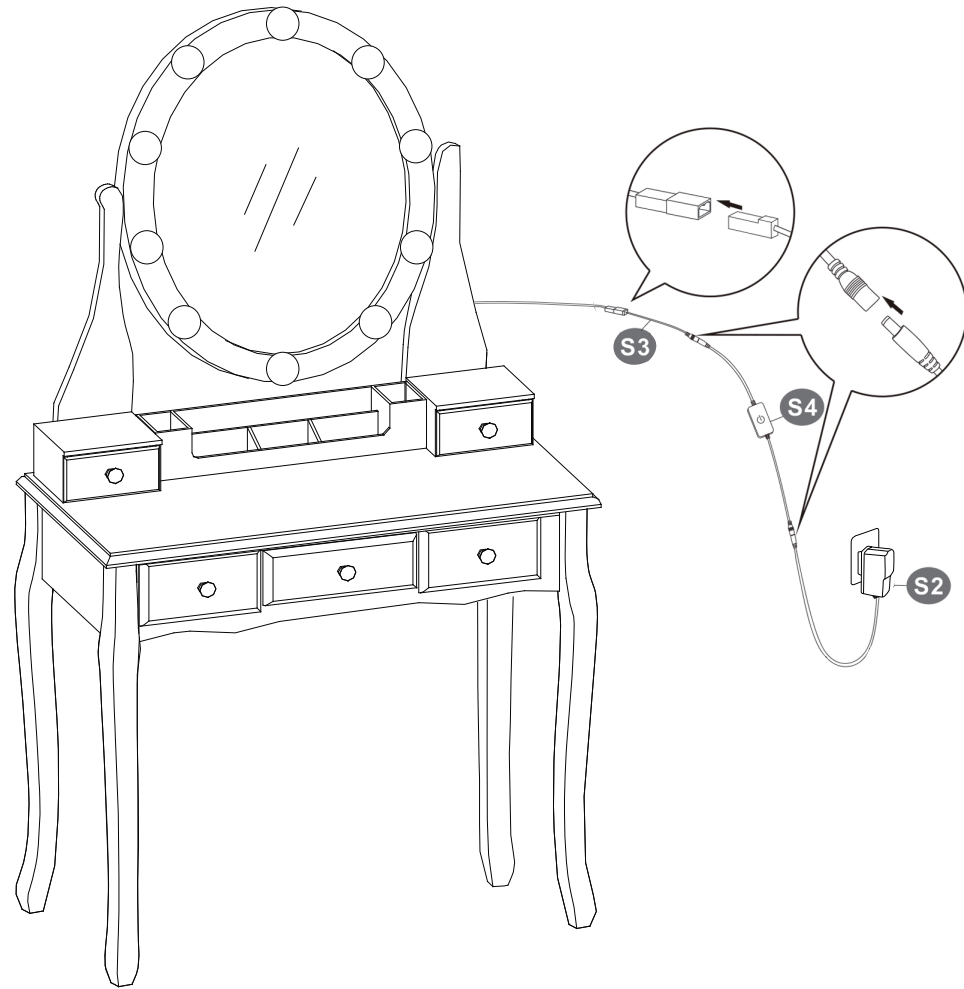


**STEP 10**

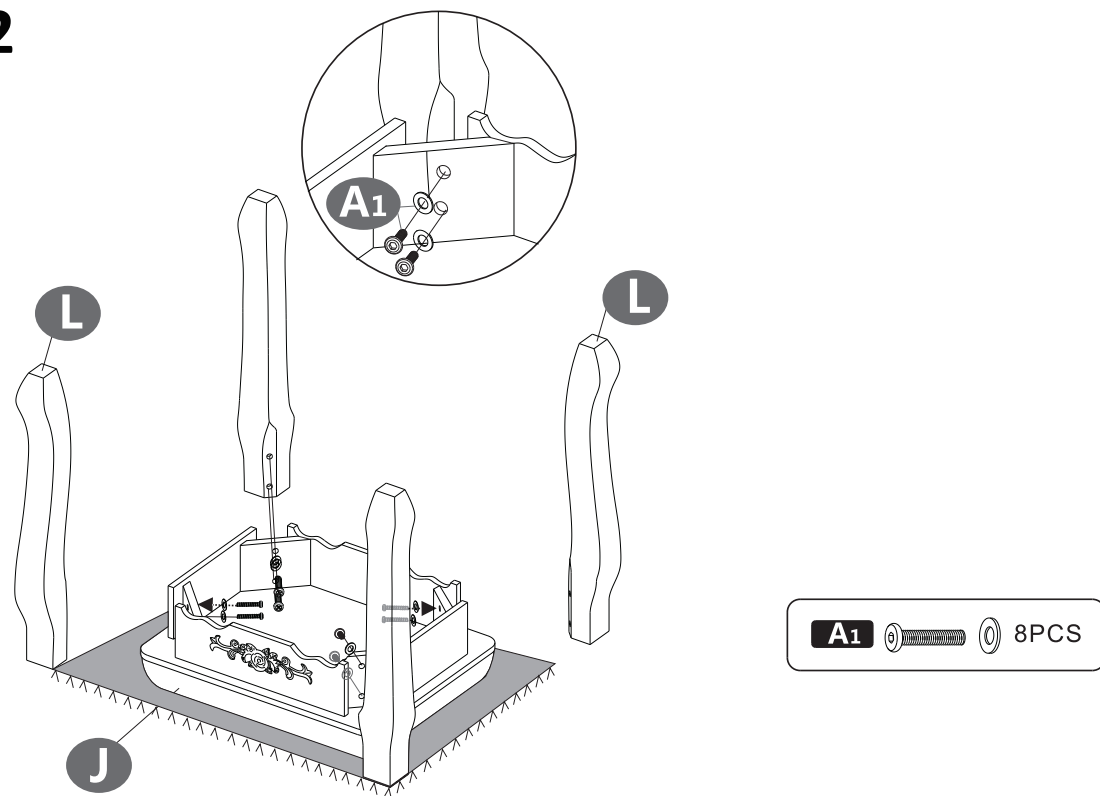


PRODUCT ASSEMBLY

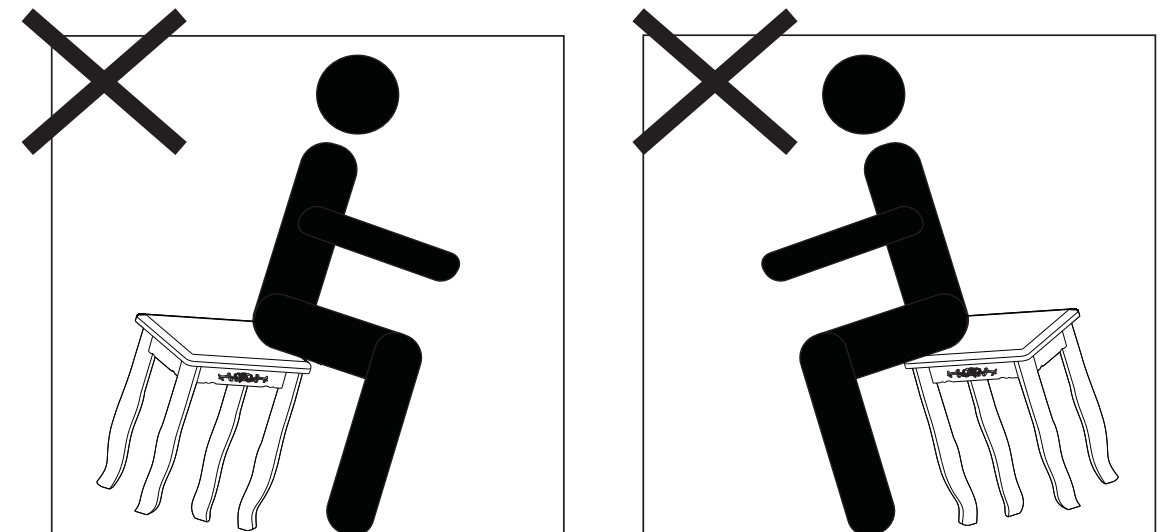
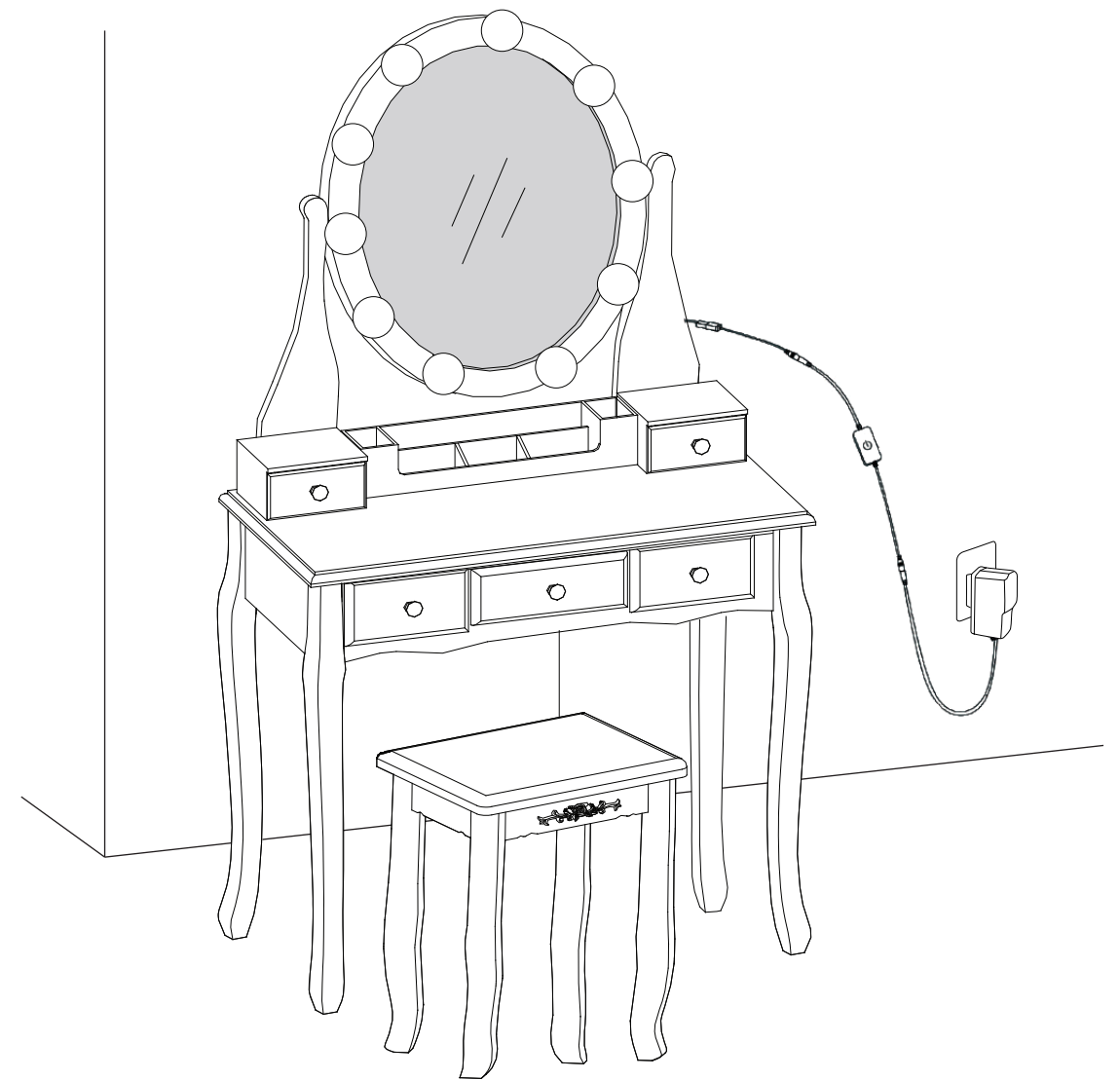
STEP 11



STEP 12



PRODUCT ASSEMBLY



---

## Care and Maintenance

Use a soft, clean cloth that will not scratch the surface when dusting.

Use of furniture polish is not necessary.

Should you choose to use polish, test first in an inconspicuous area.

Using solvents of any kind on your furniture may damage the finish.

Never use water to clean your furniture as it may cause damage to the finish.

Liquid spills should be removed immediately. Using a soft clean cloth, blot the spill gently. Avoid rubbing.

Check bolts/screws periodically and tighten them if necessary.

## Further advice about wood furniture care

It is best to keep your furniture in a climate-controlled environment.

Extreme temperature and humidity changes can cause fading, warping, shrinking and splitting of wood.

It is advised to keep furniture away from direct sunlight as sun may damage the finish.

Proper care and cleaning at home will extend the life of your purchase.

Following these important and helpful tips will enhance your furniture as it ages.