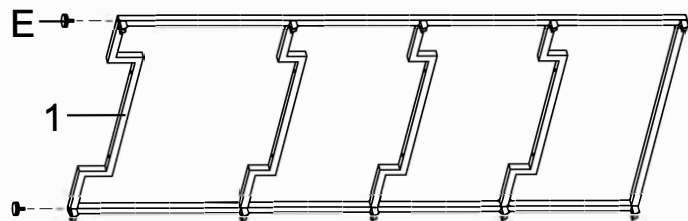
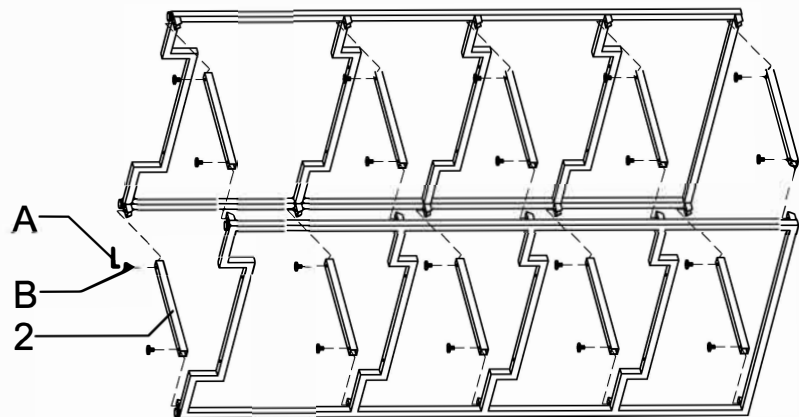


**** Do not tighten any bolts until all of them have been started !**

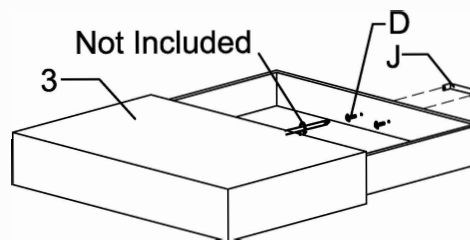
Step 1.



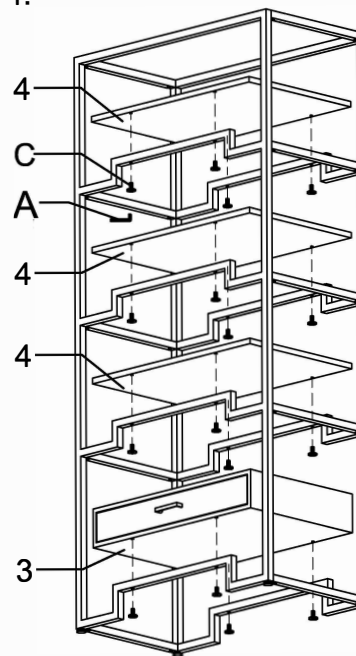
Step 2.



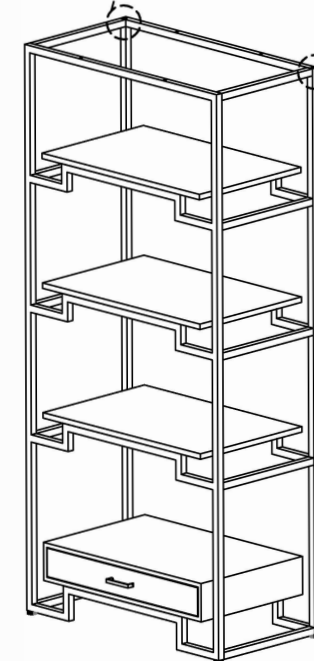
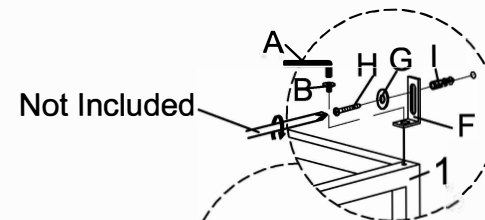
Step 3.



Step 4.



Step 5.



ACCESSORY PACK

<p>A</p> <p>1PC</p>	<p>B</p> <p>22PCS</p>	<p>C</p> <p>16PCS</p>	<p>D</p> <p>2PCS</p>	<p>E</p> <p>4PCS</p>	<p>F</p> <p>2PCS</p>	<p>G</p> <p>2PCS</p>	<p>H</p> <p>2PCS</p>	<p>I</p> <p>2PCS</p>	<p>J</p> <p>1PC</p>
---------------------	-----------------------	-----------------------	----------------------	----------------------	----------------------	----------------------	----------------------	----------------------	---------------------

COMPLETE HARDWARE

<p>1</p> <p>2PCS</p>	<p>2</p> <p>10PCS</p>	<p>3</p> <p>1PC</p>	<p>4</p> <p>3PCS</p>
----------------------	-----------------------	---------------------	----------------------