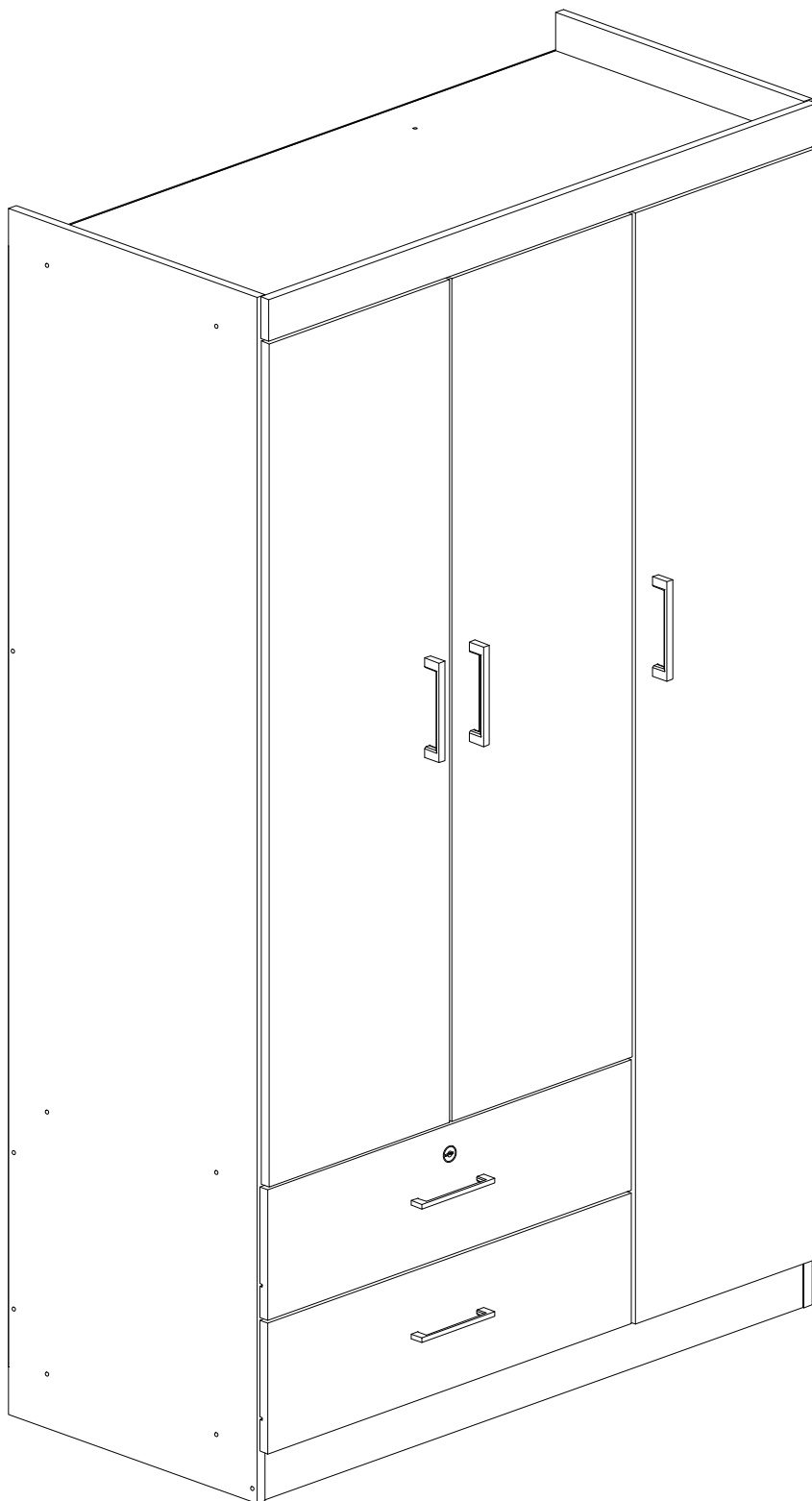


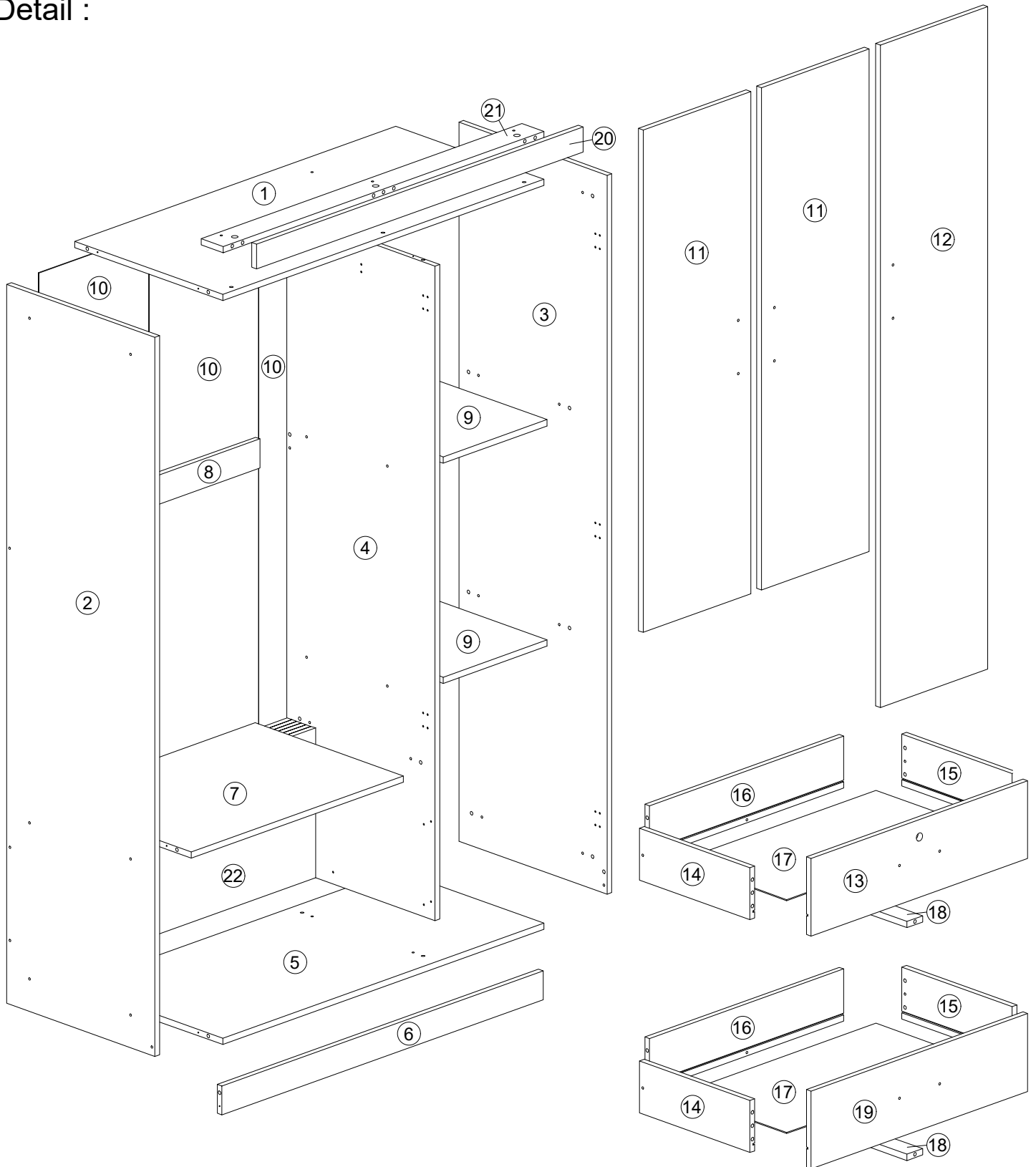
# Assembly Instruction

SKU CODE : N708P404412 / N708P404413



# Assembly Instruction

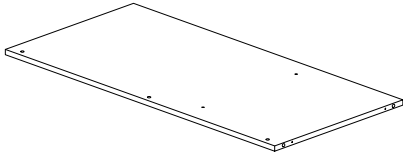
Detail :



# Assembly Instruction

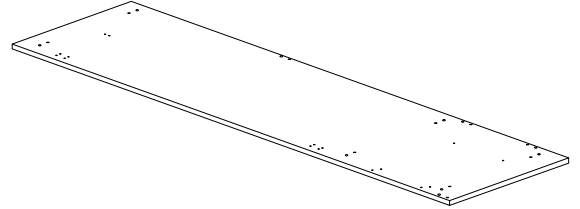
## Part List (N708P404412)

① X 1



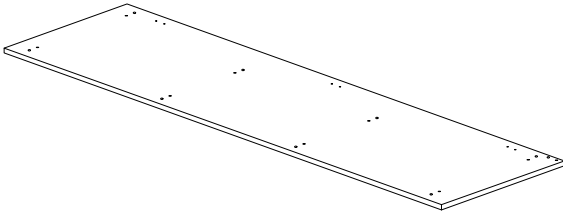
Top Panel

② X 1



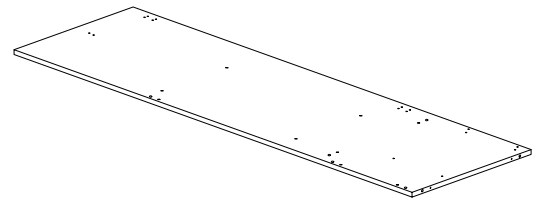
Side Left Panel

③ X 1



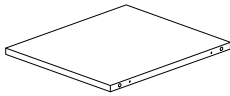
Side Right Panel

④ X 1



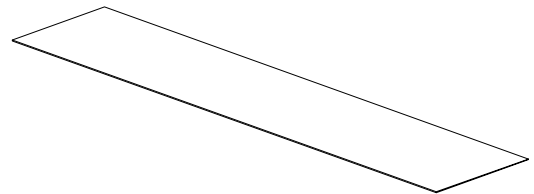
Center Panel

⑨ X 2



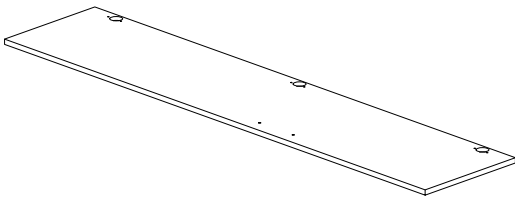
Partition  
Small Panel

⑩ X 3



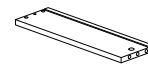
Back Panel

⑫ X 1



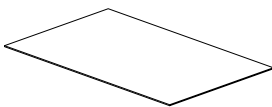
Door Panel - Big

⑭ X 2



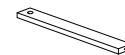
Drawer Side  
Left Panel

⑰ X 2



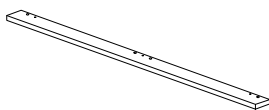
Drawer  
Bottom Panel

⑱ X 2



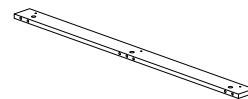
Drawer Support Panel

⑳ X 1



Front Panel

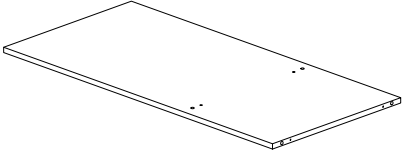
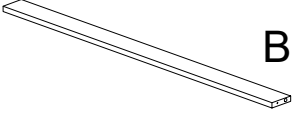
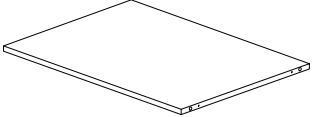
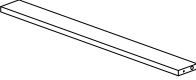
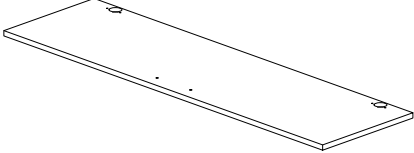
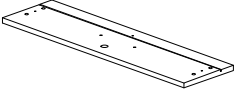

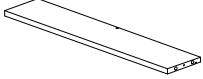
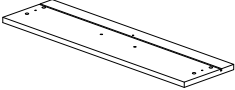
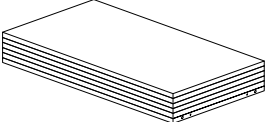
㉑ X 1



Top Support  
Panel

# Assembly Instruction

## Part List (N708P404413)


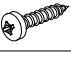


⑤ X 1  Bottom Panel	⑥ X 1  Bottom Support Panel
⑦ X 1  Partition Big Panel	⑧ X 1  Back Support Panel
⑪ X 2  Door Panel - Small Left & Right	⑬ X 1  Drawer Up Front Panel
	⑮ X 2  Drawer Side Right Panel
⑯ X 2  Drawer Back Panel	⑰ X 1  Drawer Down Front Panel
⑳ X 1  Back Panel - Small	

# Assembly Instruction

## Hardware List (N708P404413)

No.	SHAPE	DESCRIPTION	Qty.
A		8x25mm Dowel (Wood)	52Pcs
B		8x20mm Dowel (Wood)	3Pcs
C		15mm Myfix Minifix	9Sets
D		M3.5x16mm Screw	80Pcs
E		M4x45mm Screw	38Pcs
F		V Bracket	2Pcs
G		L Bracket	1Pc
H		Handle KT179.128mm	5Pcs
I		M4x28mm Screw	13Pcs
J		Hinges 2/8	7Pcs
K		5/8 Nail With Pin	6Pcs
L		6/8 Power Pin	50Pcs
M		Drawer Lock	1Pc
N		Drawer Lock Support H10.9	1Pc
O		Drawer Slide (350mm)	2Sets
P		Aluminium Pipe(667mm)	1Pc
Q		Sticker	19Pcs

## Anti Tipping Hardware (N708P404413)

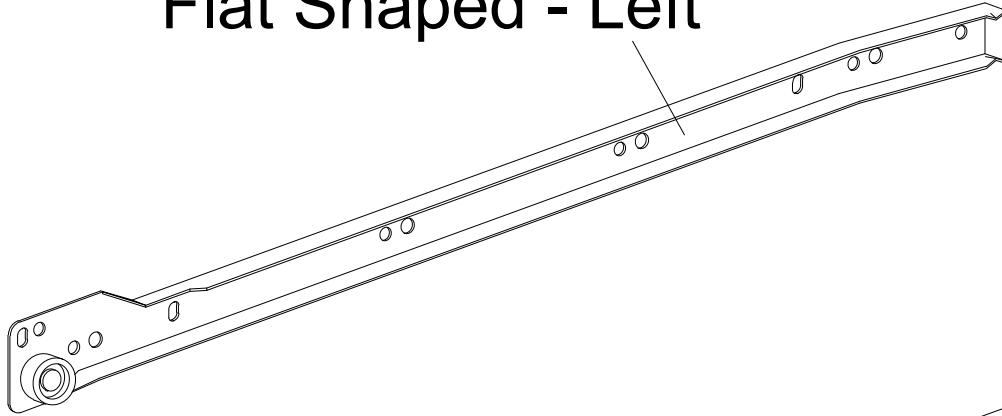
No.	SHAPE	DESCRIPTION	Qty.
a		Mounting Bracket	2Pcs
b		TP 6# x 5/8" Screw	1Pc
c		TP 8# x 2" Screw	1Pc
d		Restraint Strap	1Pc

# Assembly Instruction

Left Drawer Silde (O)

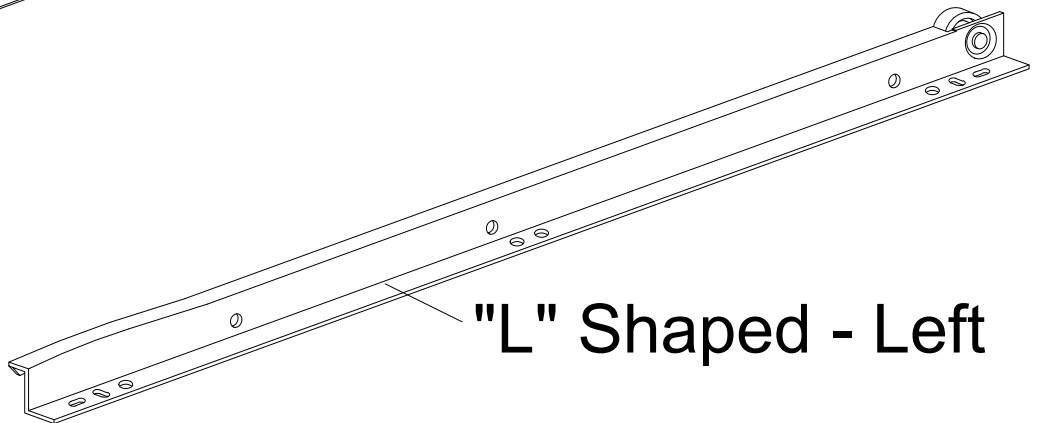
Back

Flat Shaped - Left



"L" Shaped - Left

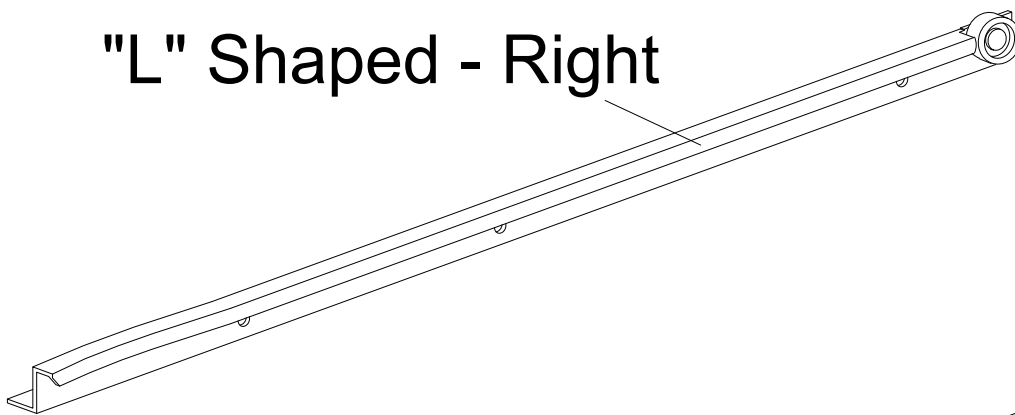
Front



Right Drawer Silde (O)

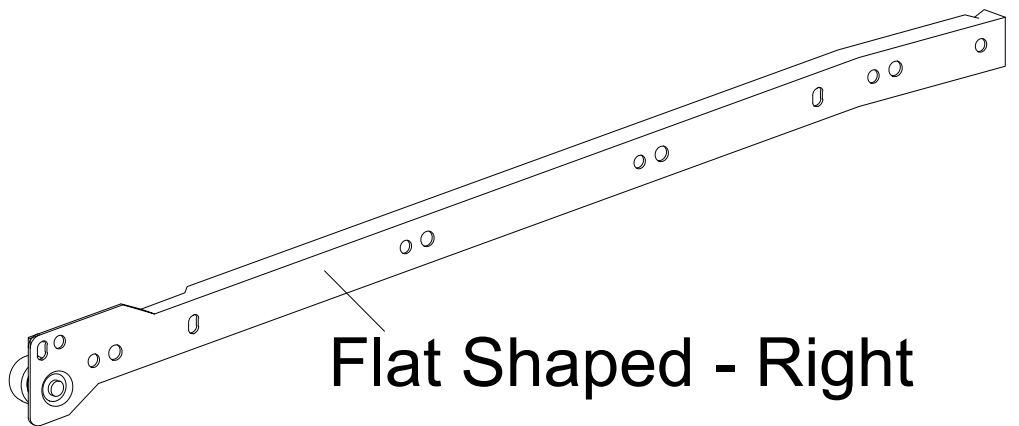
Back

"L" Shaped - Right



Flat Shaped - Right

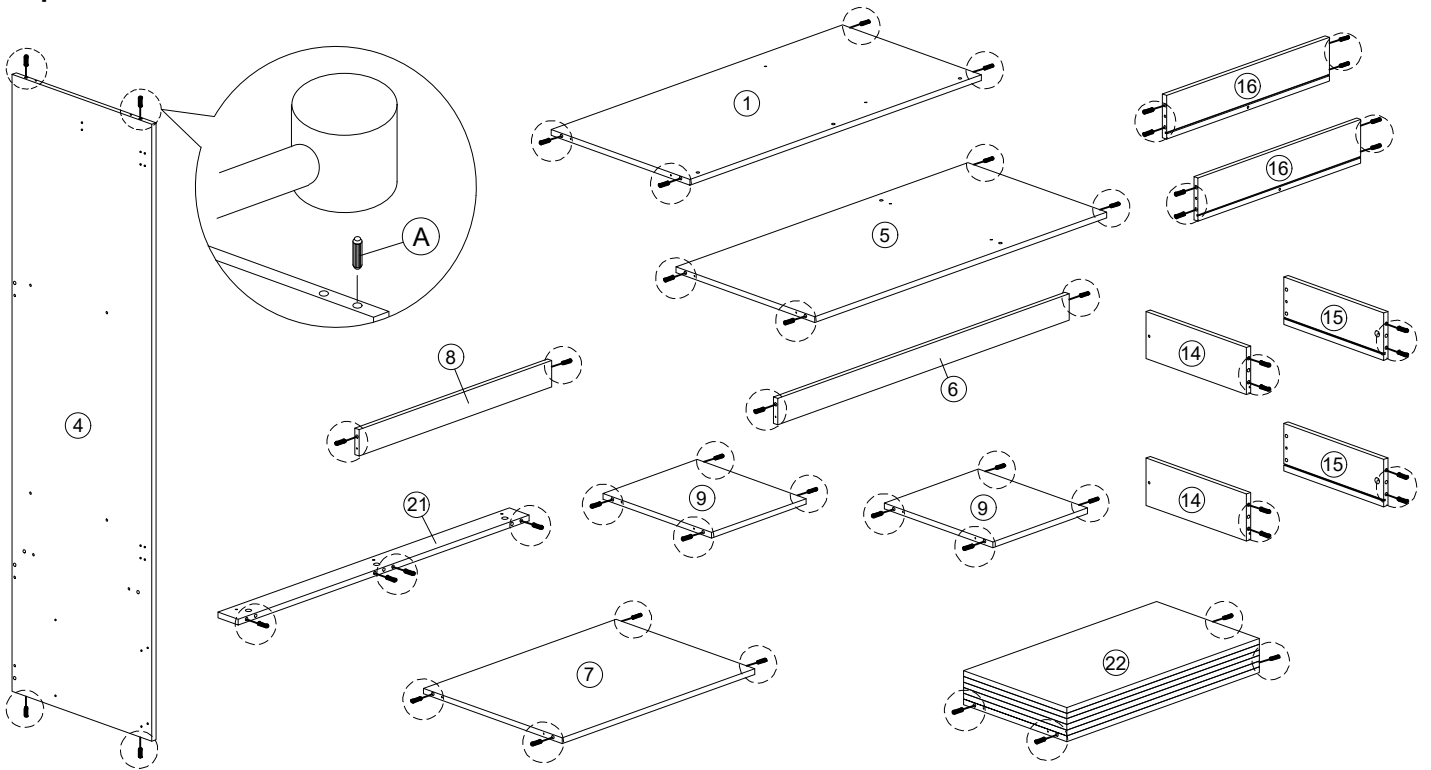
Front




# Assembly Instruction

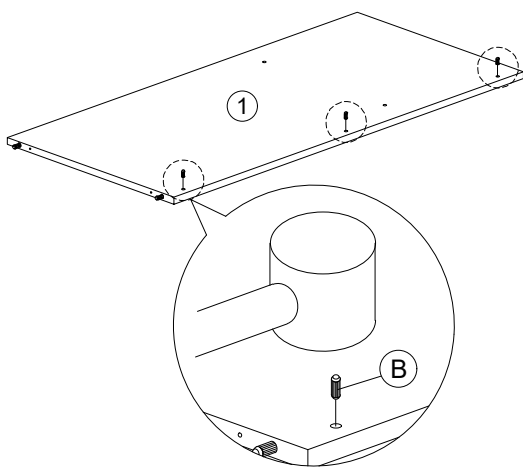
## Step 1

A		8x25mm Dowel (Wood)	52Pcs
---	---	---------------------	-------



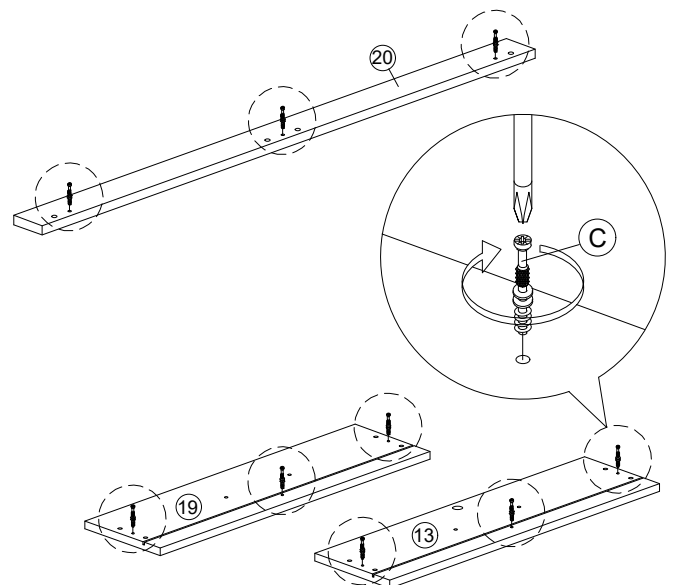
## Step 2

B		8x20mm Dowel (Wood)	3Pcs
---	---	---------------------	------



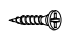

## Step 3


C		Myfix	9Pcs
---	---	-------	------

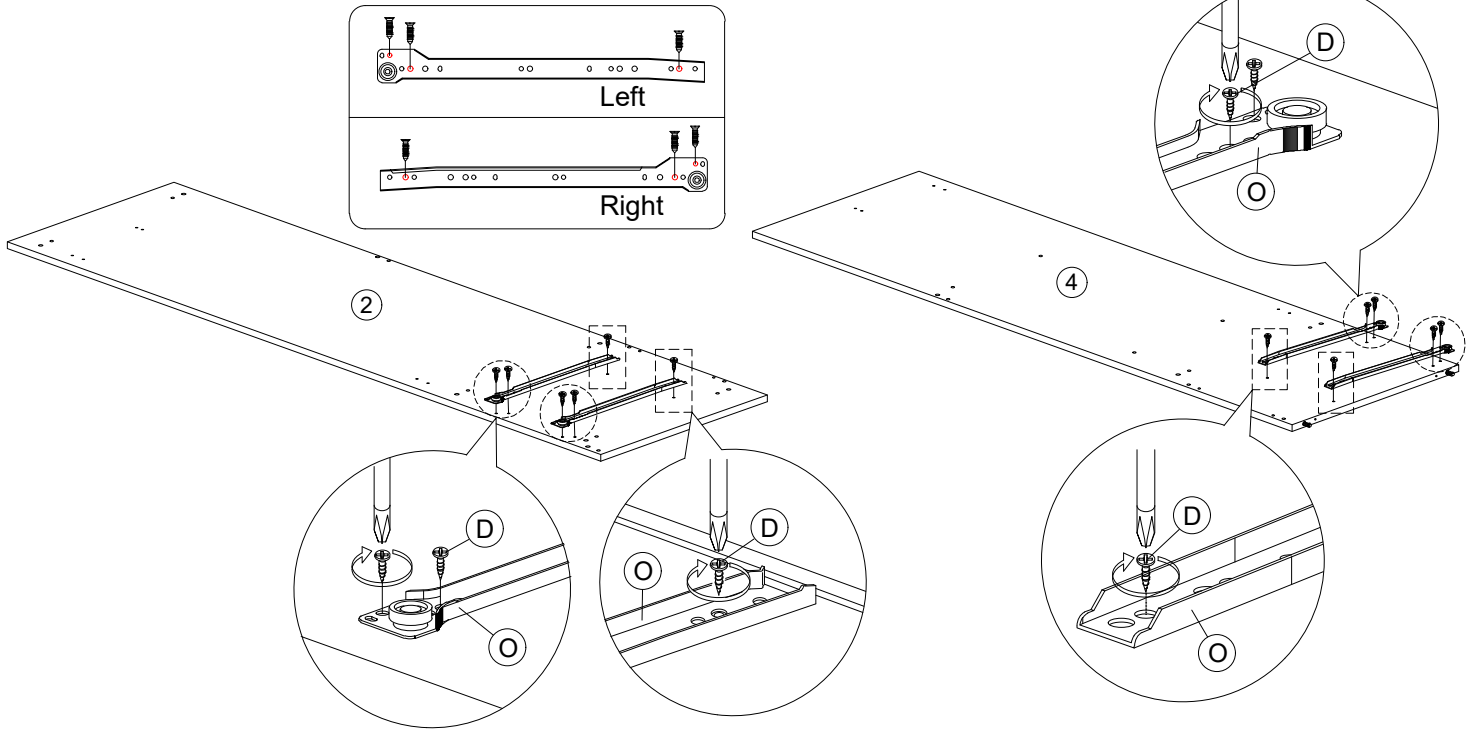


# Assembly Instruction

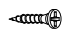

## Step 4

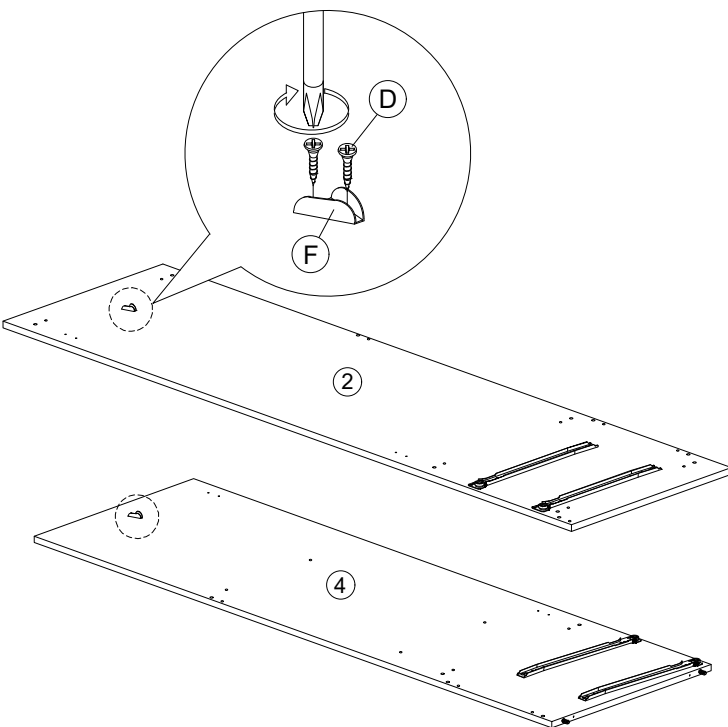
D		M3.5x16mm Screw	12Pcs
O		Drawer Slide 350mm - R	2Pcs

O		Drawer Slide 350mm - L	2Pcs
---	---	------------------------	------

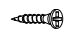



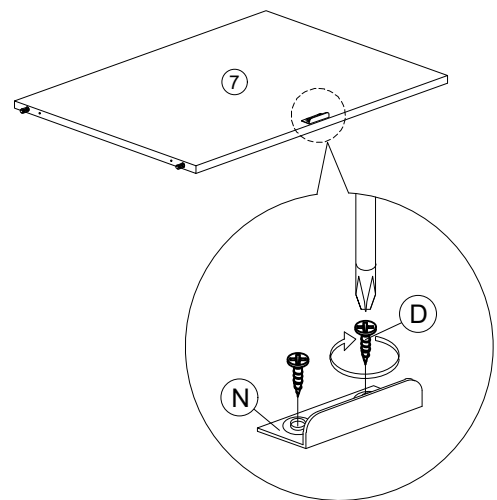
## Step 5

D		M3.5x16mm Screw	4Pcs
F		V Bracket	2Pcs




## Step 6

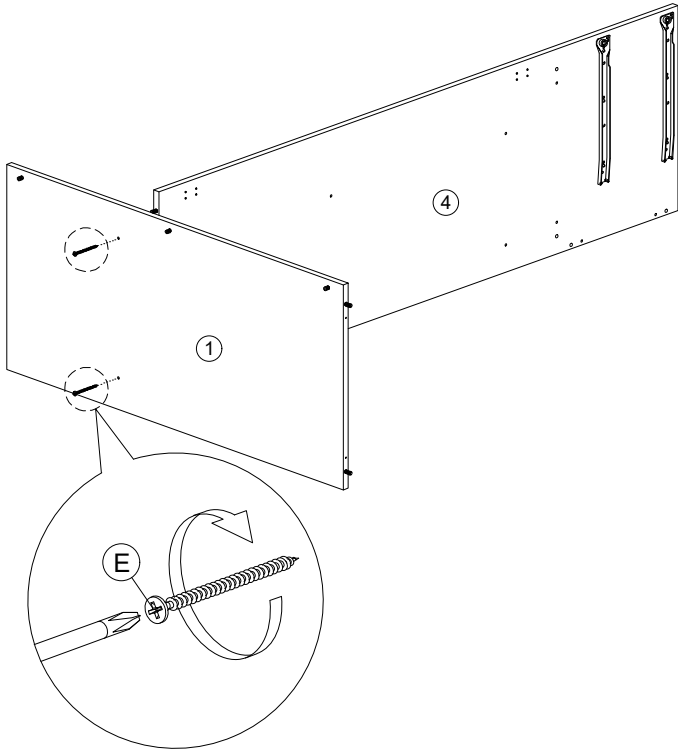
D		M3.5x16mm Screw	2Pcs
N		Drawer Lock Support H10.9	1Pc




# Assembly Instruction

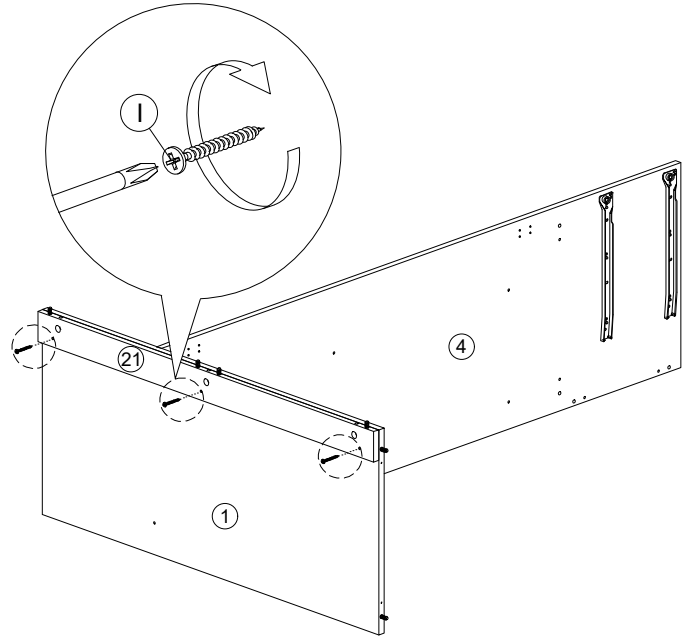
Step 7

E  M4x45mm Screw 2Pcs



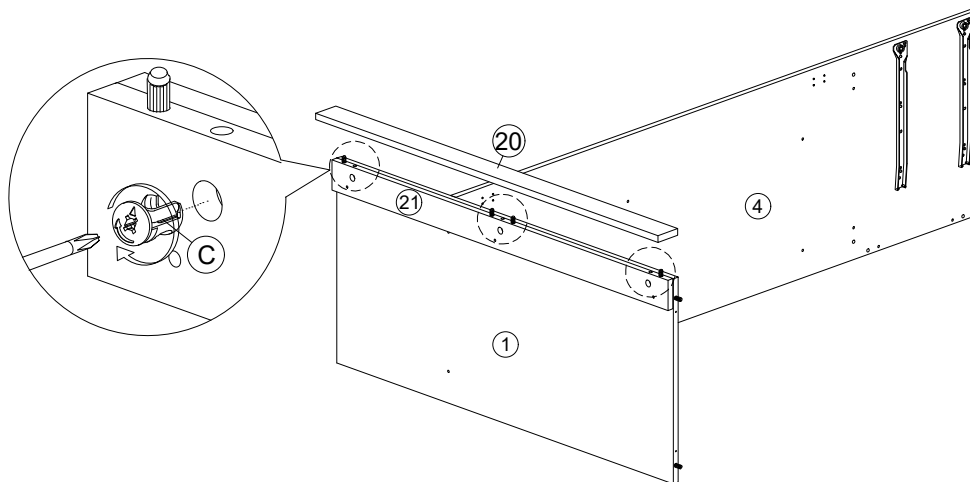
Step 8

I  M4x28mm Screw 3Pcs




Step 9

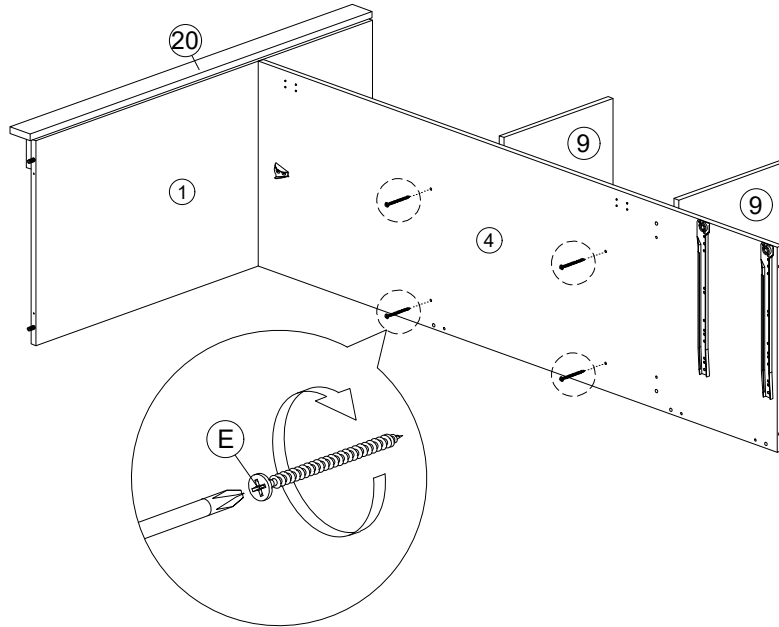
C  Minifix 3Pcs




# Assembly Instruction

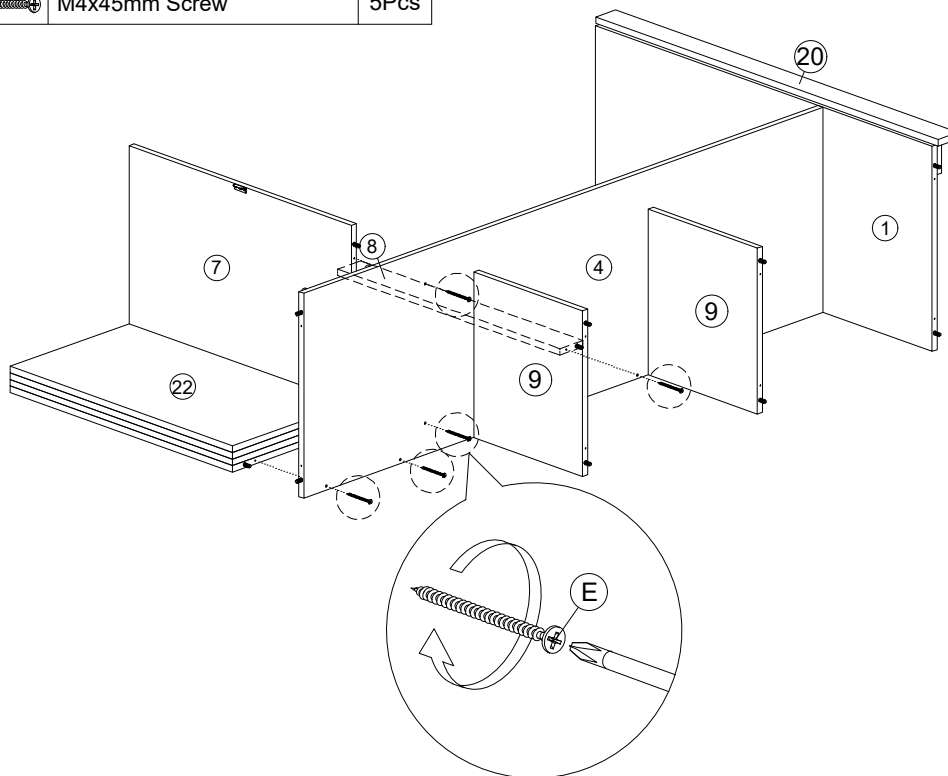
Step 10 

E		M4x45mm Screw	4Pcs
---	---	---------------	------




Step 11 

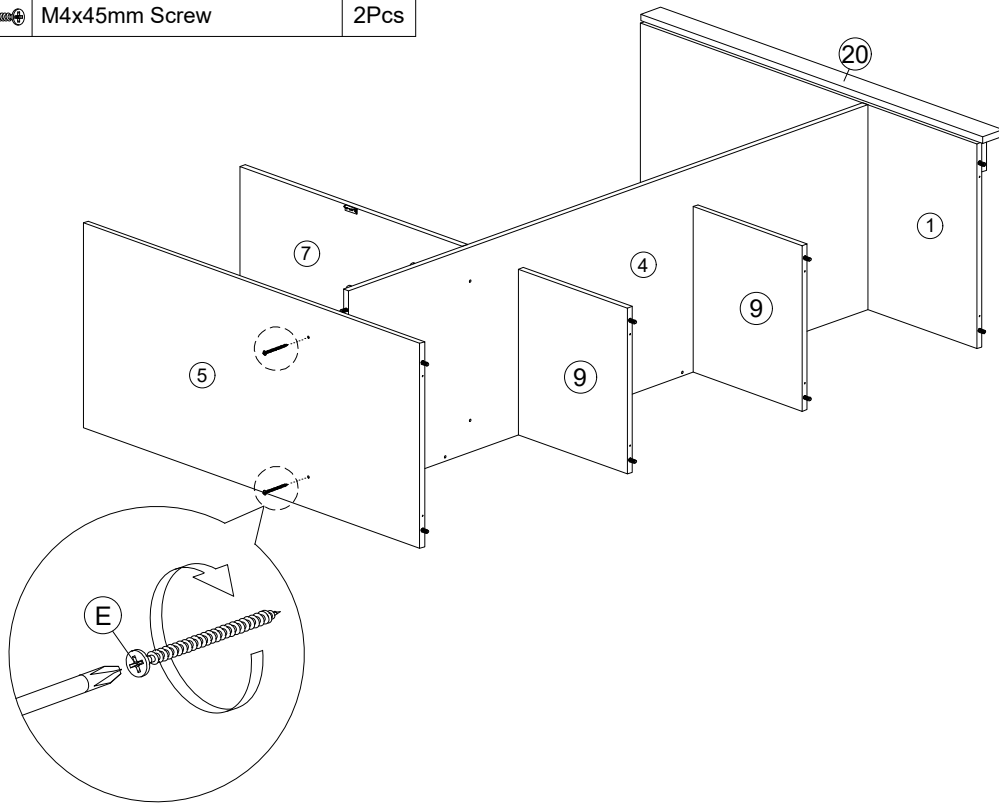
E		M4x45mm Screw	5Pcs
---	---	---------------	------




# Assembly Instruction

Step 12 

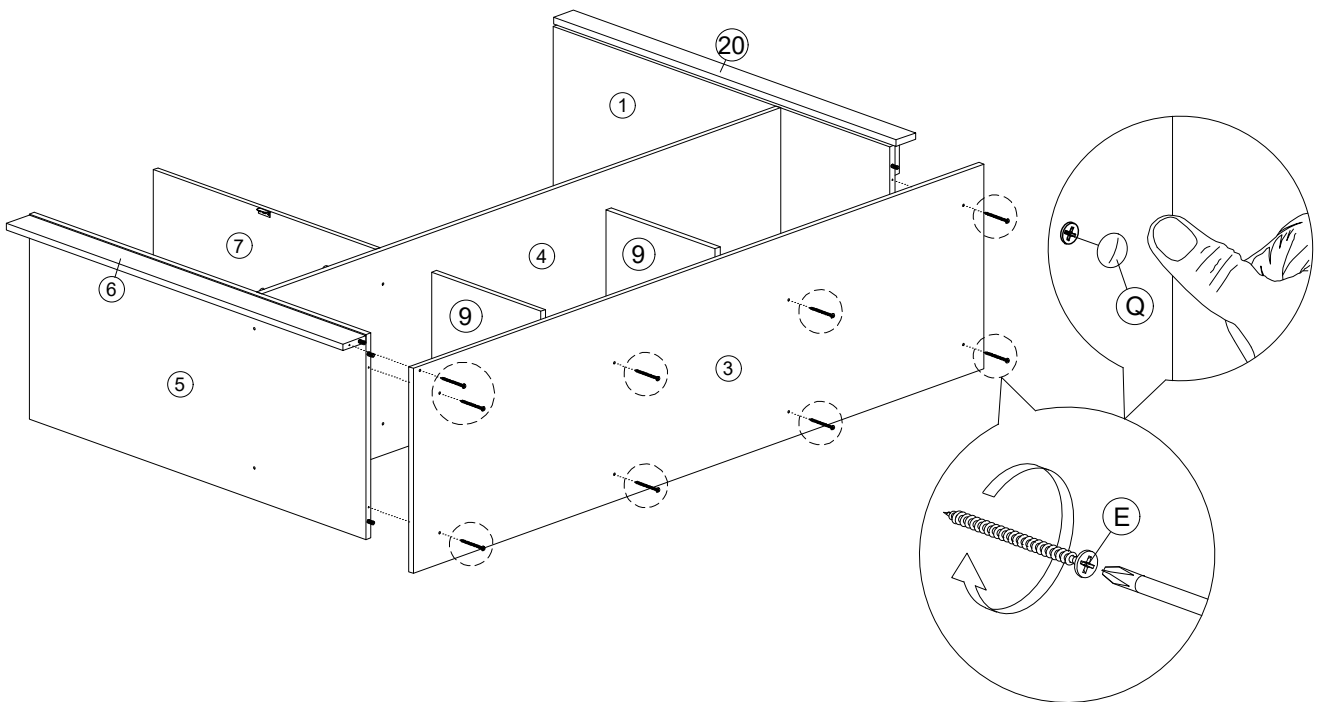
E		M4x45mm Screw	2Pcs
---	---	---------------	------




Step 13 

E		M4x45mm Screw	9Pcs
---	---	---------------	------

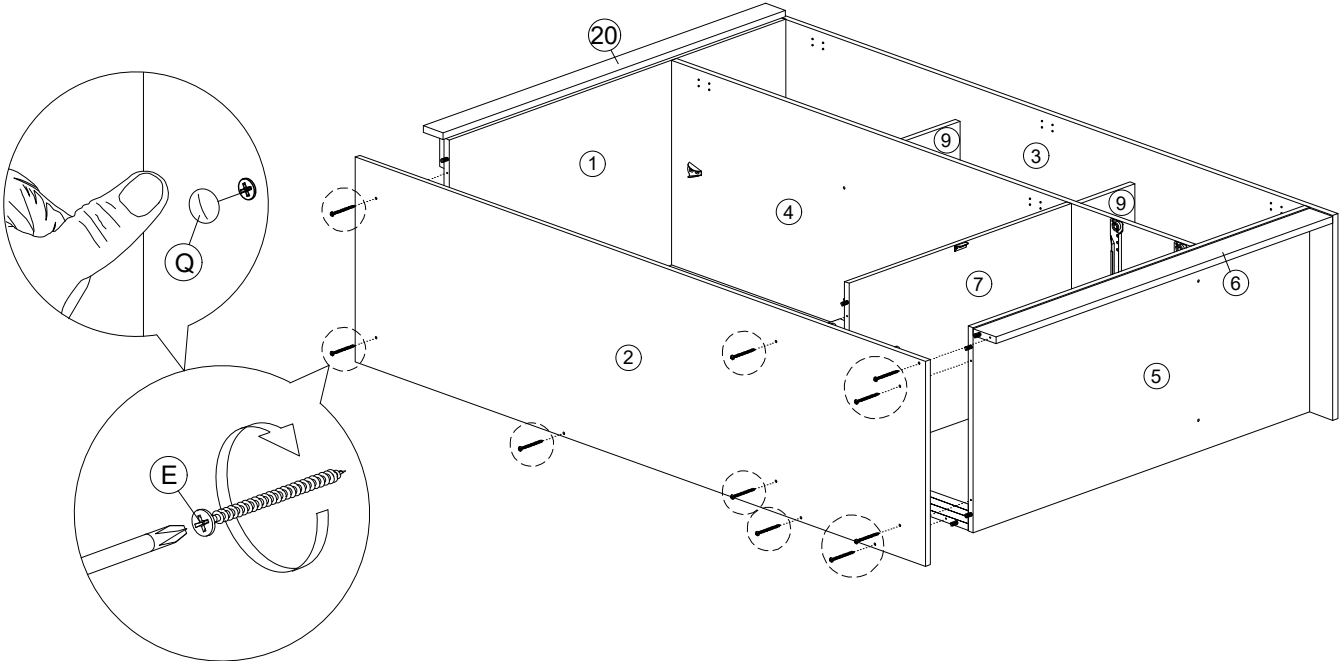
Q		Sticker	9Pcs
---	---	---------	------



# Assembly Instruction

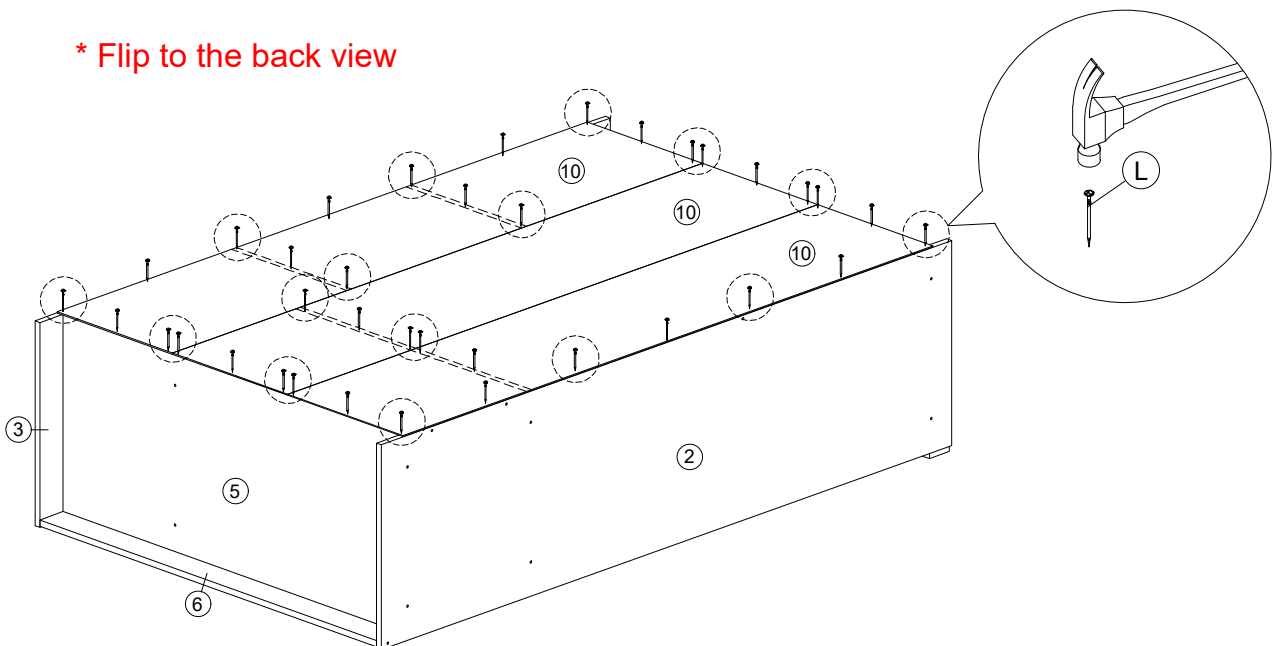
Step 14 E  M4x45mm Screw 10Pcs

Q  Sticker 10Pcs



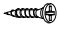
Step 15 L  6/8 Power Pin 50Pcs

\* Flip to the back view

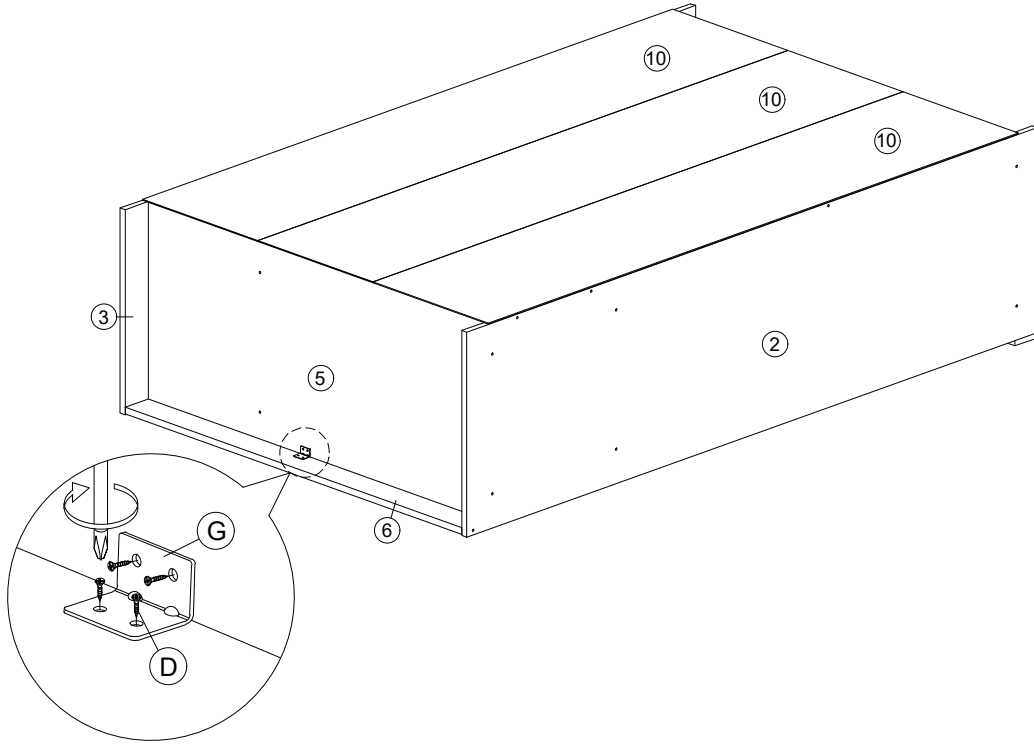


# Assembly Instruction

## Step 16

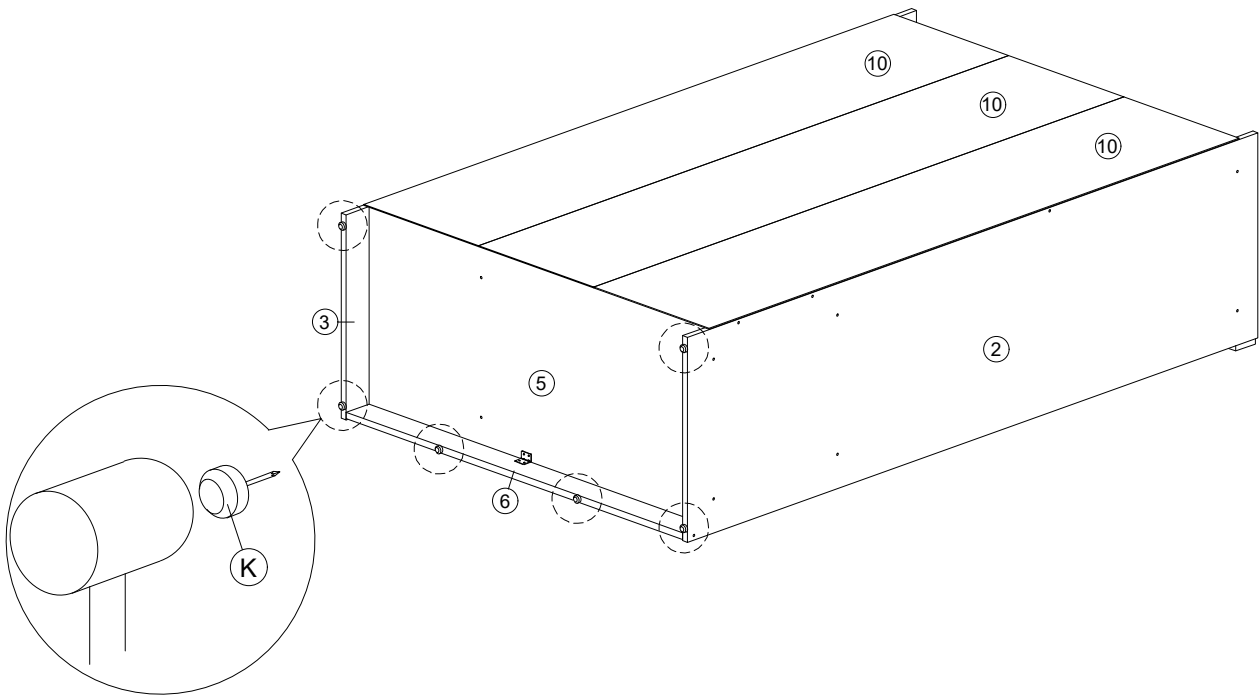
D		M3.5x16mm Screw	4Pcs
---	---	-----------------	------

G		L Bracket	1Pc
---	---	-----------	-----



## Step 17

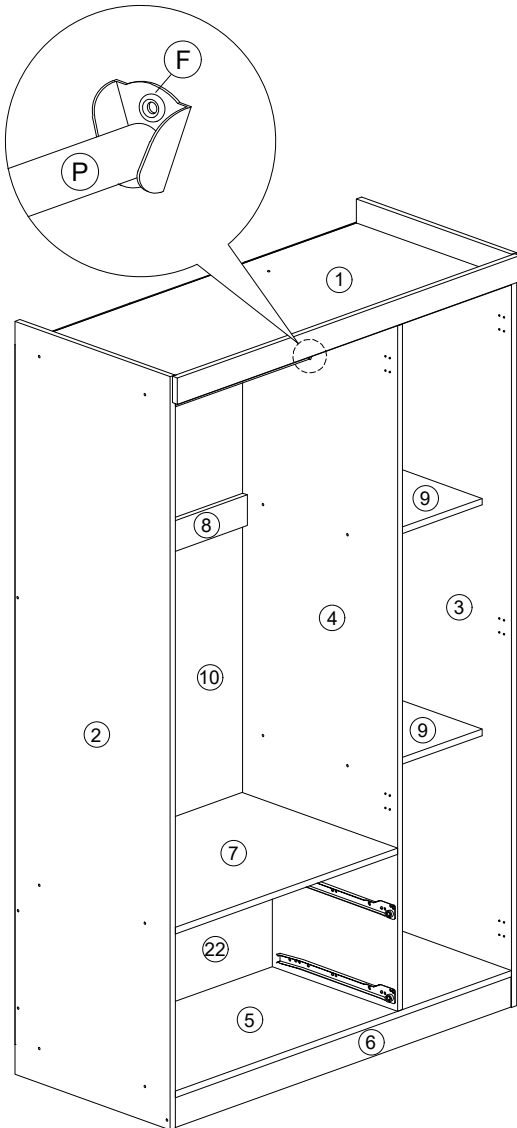
K		5/8 Nail With Pin	6Pcs
---	---	-------------------	------



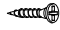

# Assembly Instruction

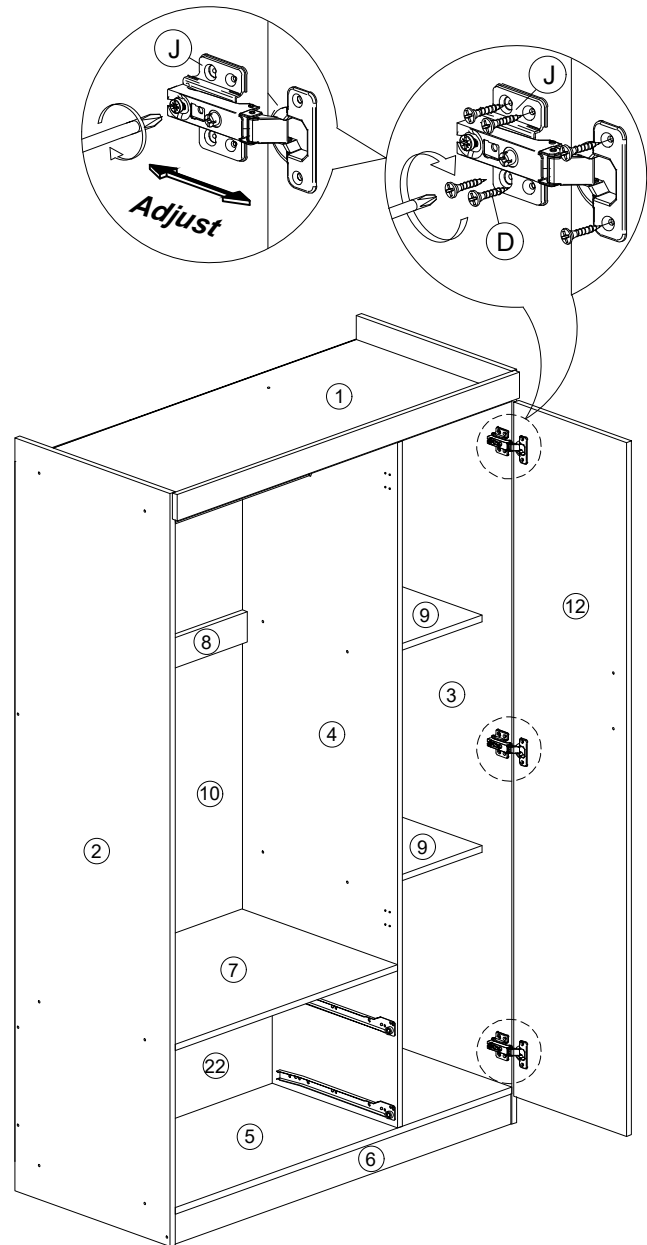
Step 18 

P		Aluminium Pipe 667mm	1Pc
---	---	----------------------	-----





Step 19 

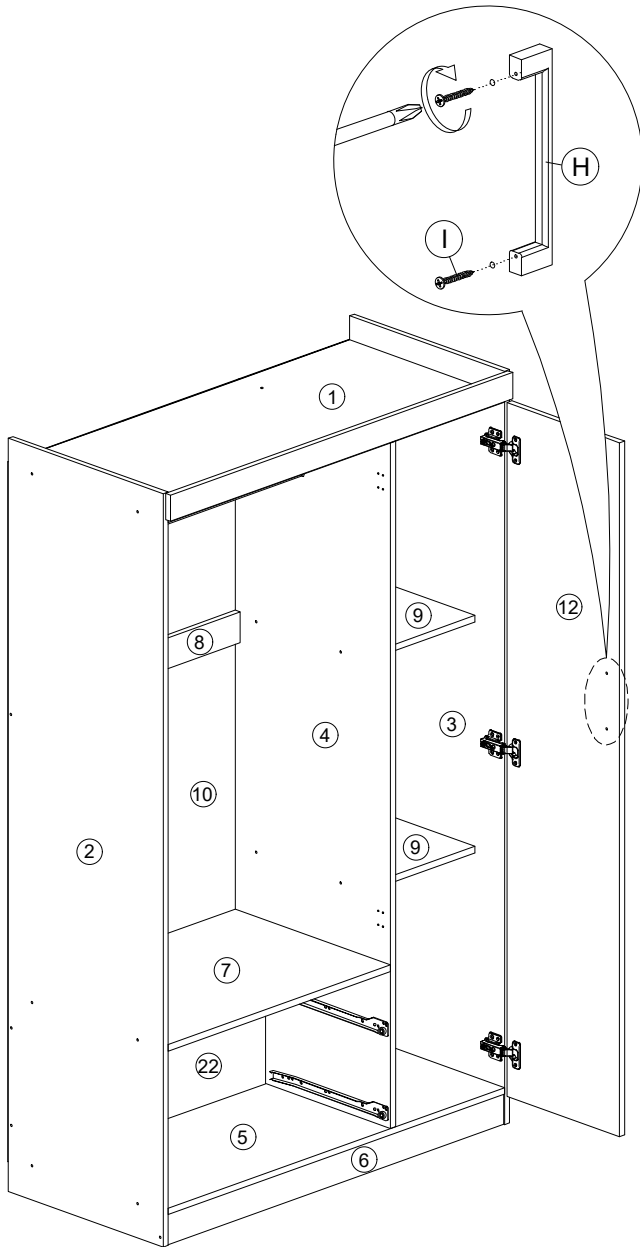
D		M3.5x16mm Screw	18Pcs
J		Hinges 2/8	3Pcs



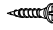

# Assembly Instruction

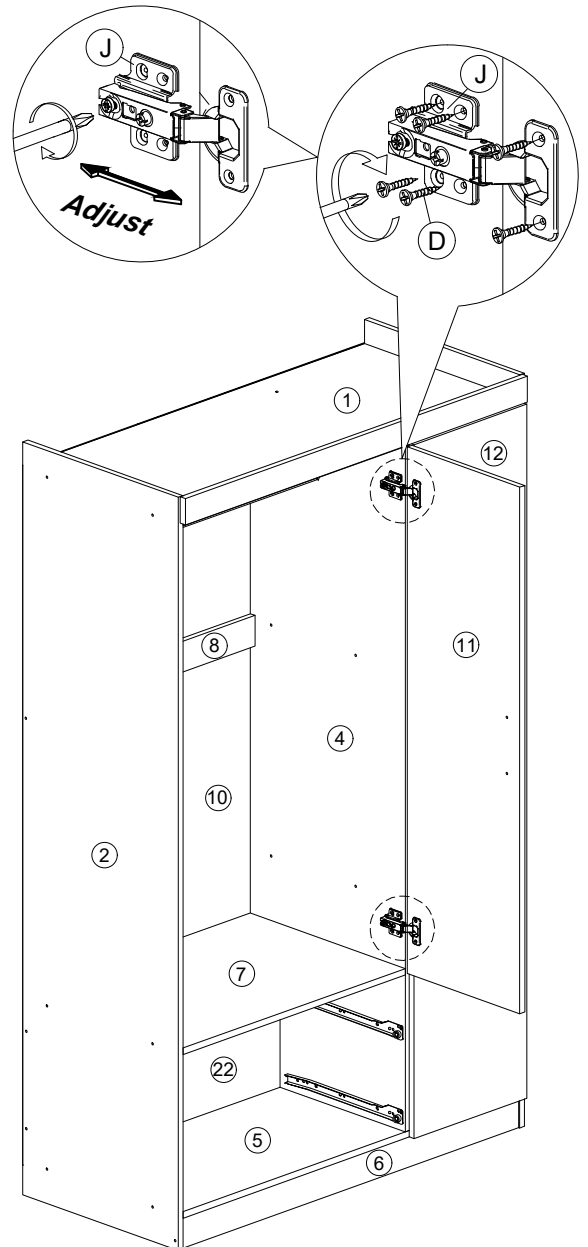
## Step 20

H		Handle KT179.128mm	1Pc
I		M4x28mm Screw	2Pcs





## Step 21

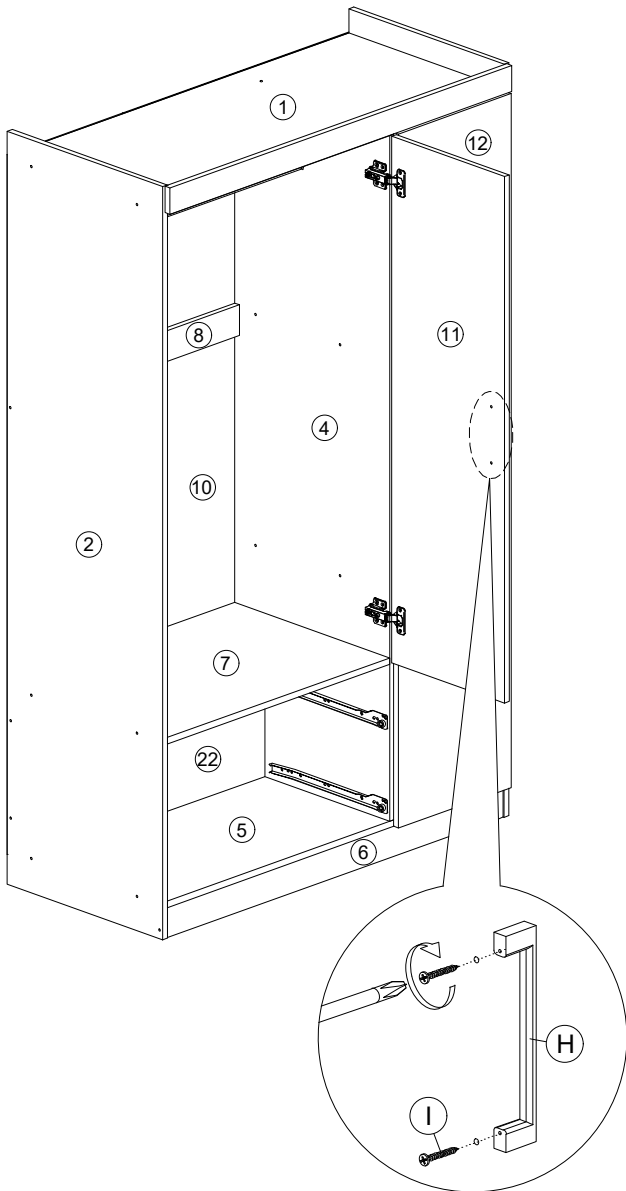
D		M3.5x16mm Screw	12Pcs
J		Hinges 2/8	2Pcs



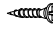

# Assembly Instruction

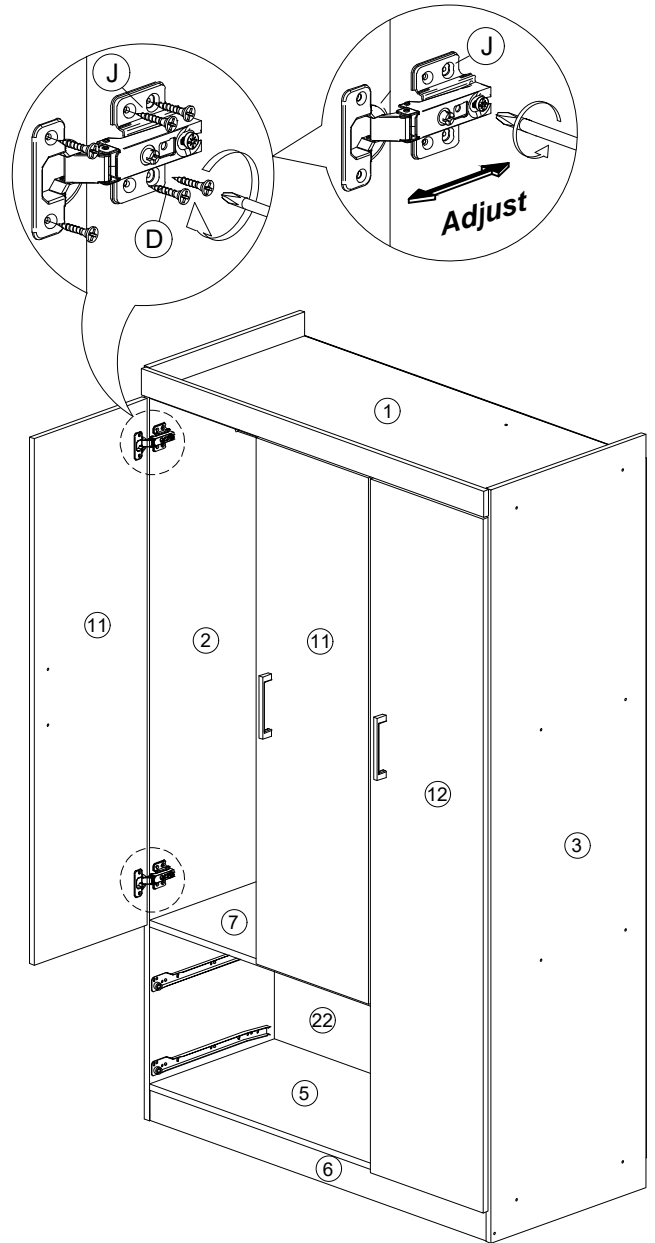
## Step 22

H		Handle KT179.128mm	1Pc
I		M4x28mm Screw	2Pcs





## Step 23

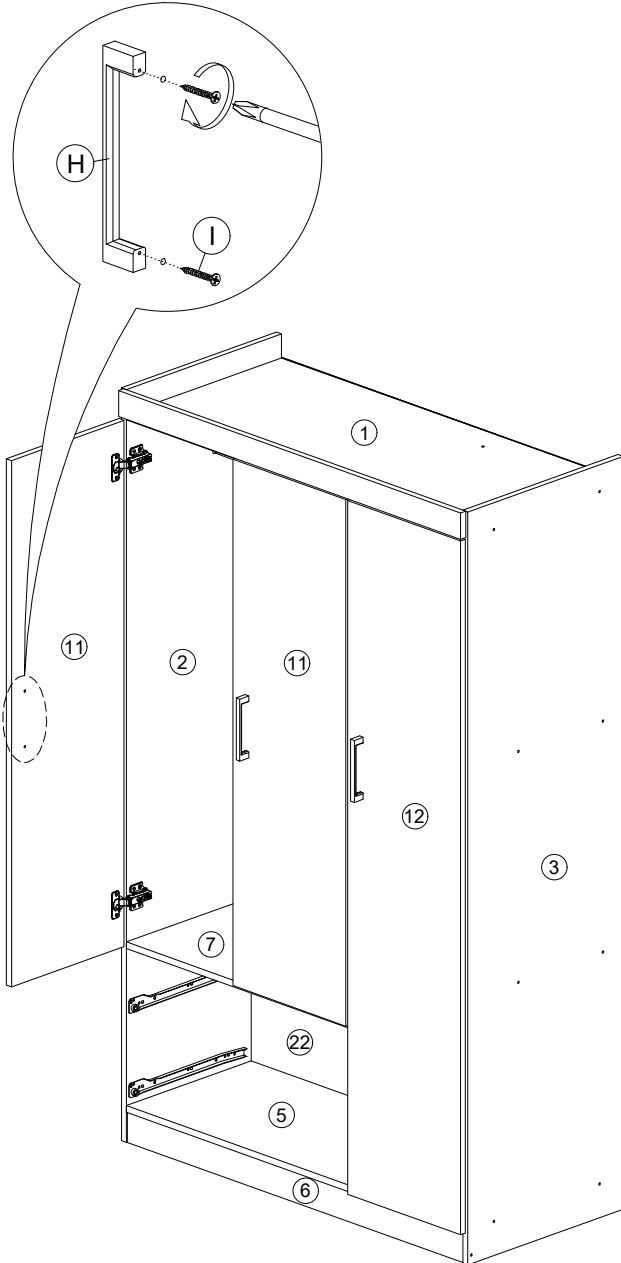
D		M3.5x16mm Screw	12Pcs
J		Hinges 2/8	2Pcs




# Assembly Instruction

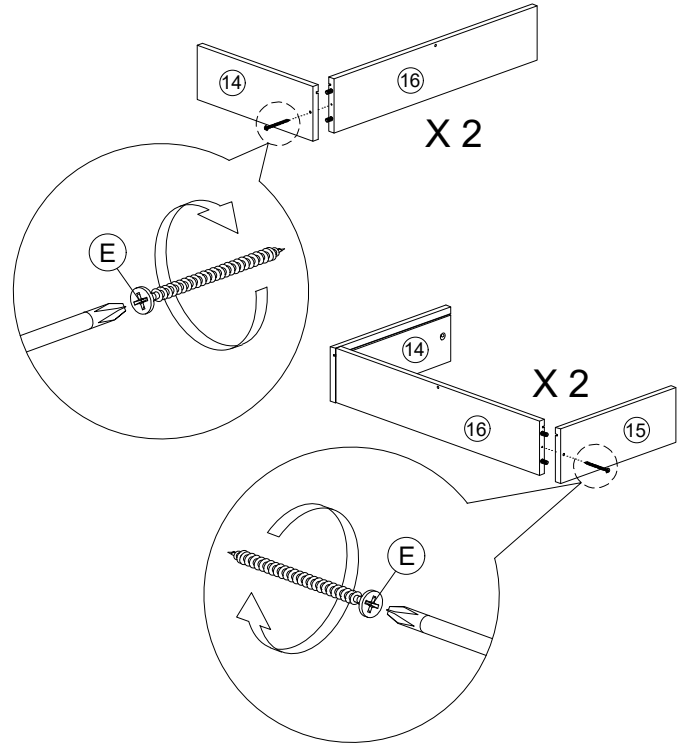
## Step 24

H		Handle KT179.128mm	1Pc
I		M4x28mm Screw	2Pcs




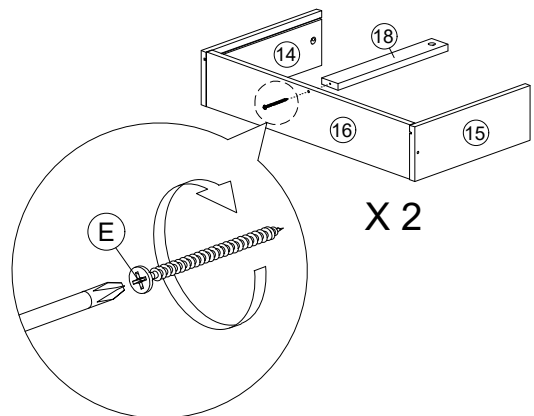
## Step 25

E		M4x45mm Screw	4Pcs
---	---	---------------	------



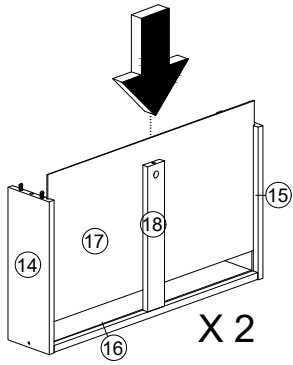
## Step 26

E		M4x45mm Screw	2Pcs
---	---	---------------	------



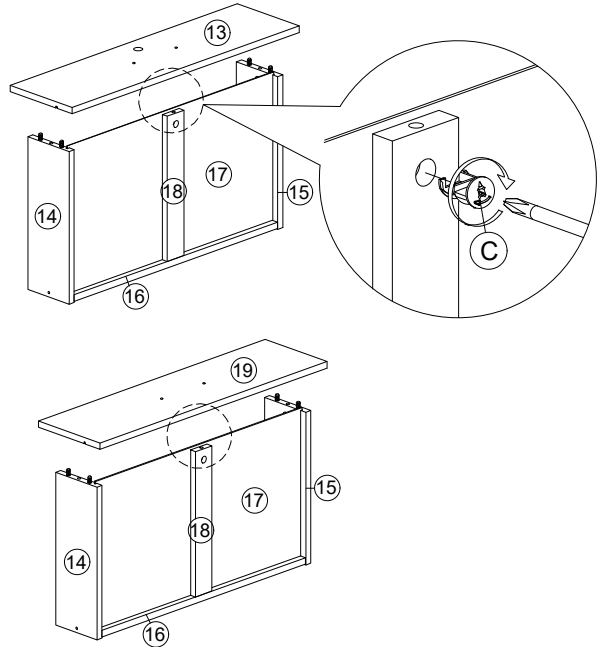
# Assembly Instruction

## Step 27



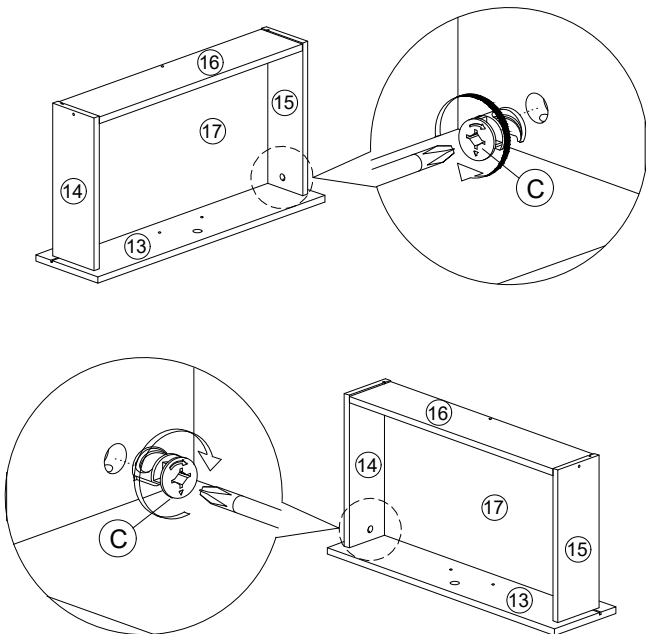
## Step 28

C  Minifix 2Pcs



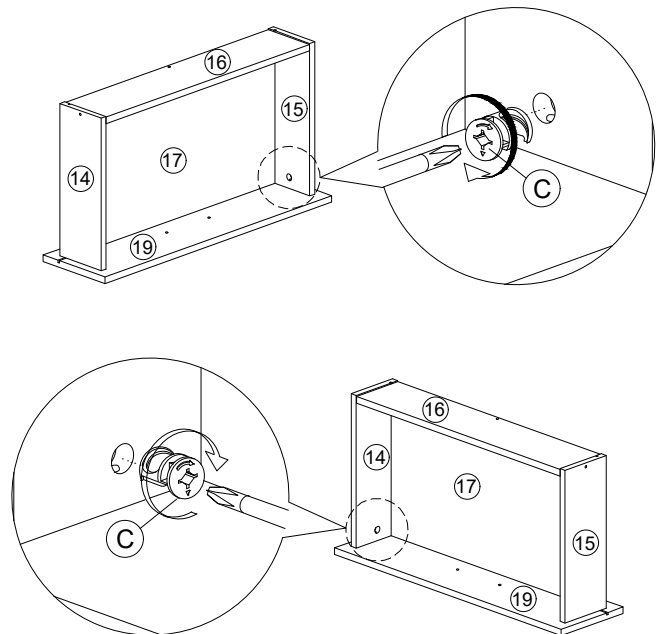
## Step 29

C  Minifix 2Pcs





## Step 30

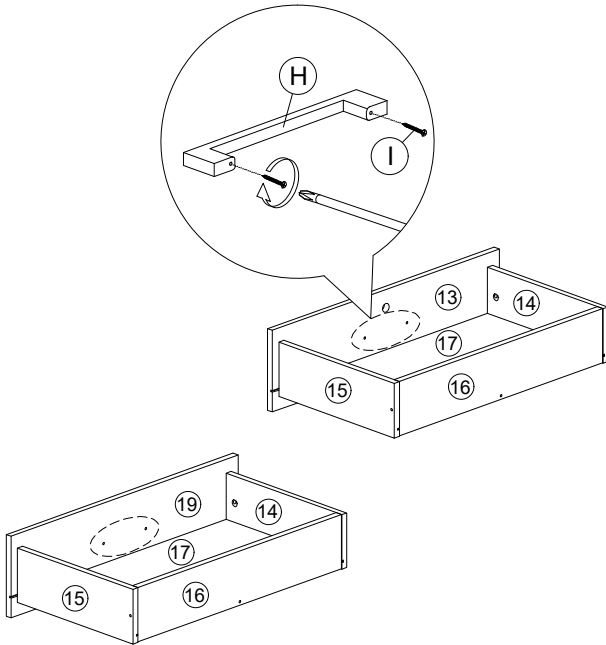
C  Minifix 2Pcs



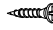

# Assembly Instruction

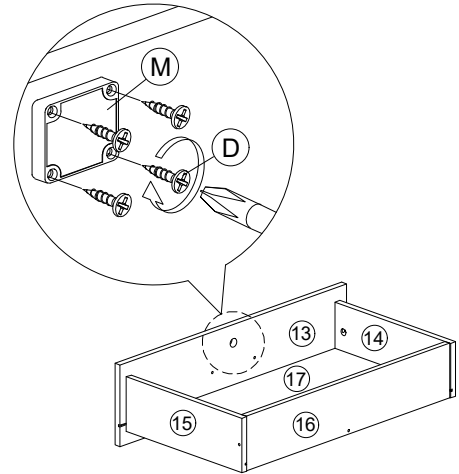
## Step 31

H		Handle KT179.128mm	2Pcs
I		M4x28mm Screw	4Pcs

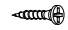



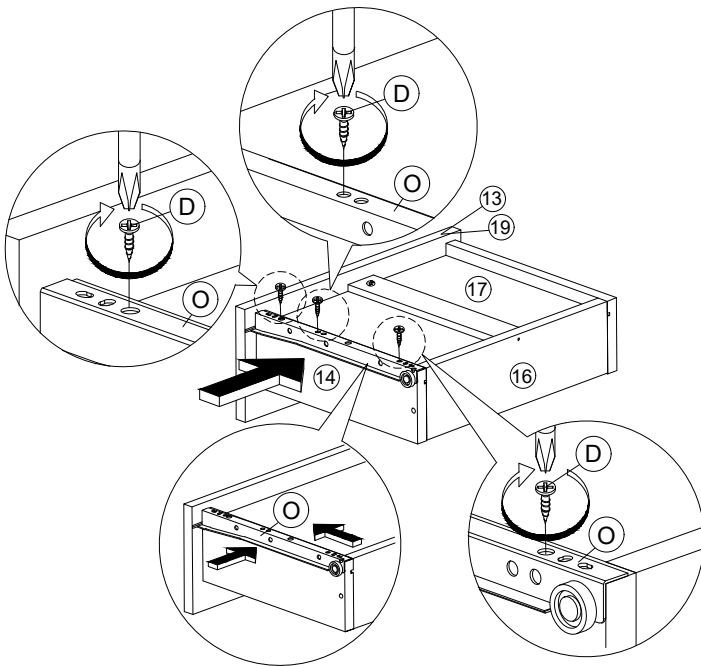
## Step 32

D		M3.5x16mm Screw	4Pcs
M		Drawer Lock	1Pc

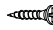



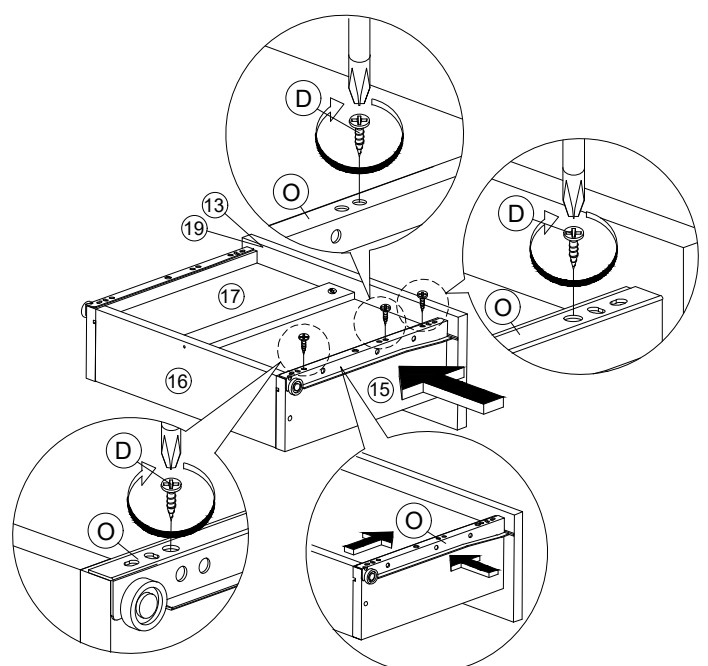
## Step 33

D		M3.5x16mm Screw	6Pcs
O		Drawer Slide 350mm - R	2Pcs



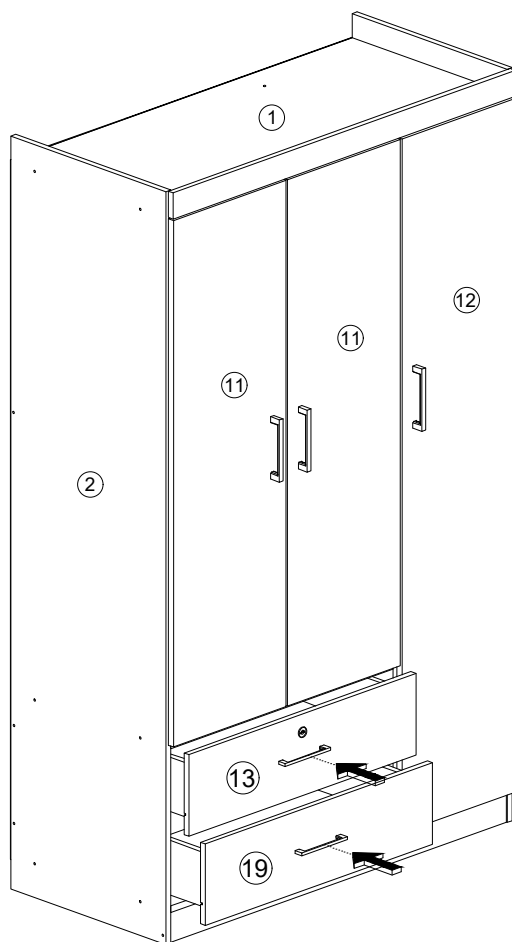
## Step 34

D		M3.5x16mm Screw	6Pcs
O		Drawer Slide 350mm - L	2Pcs

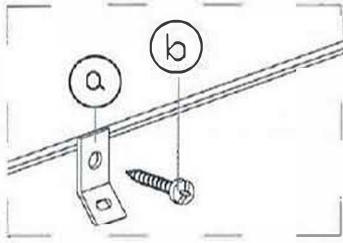


# Assembly Instruction

## Step 35

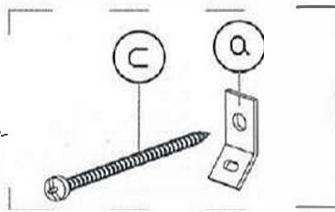
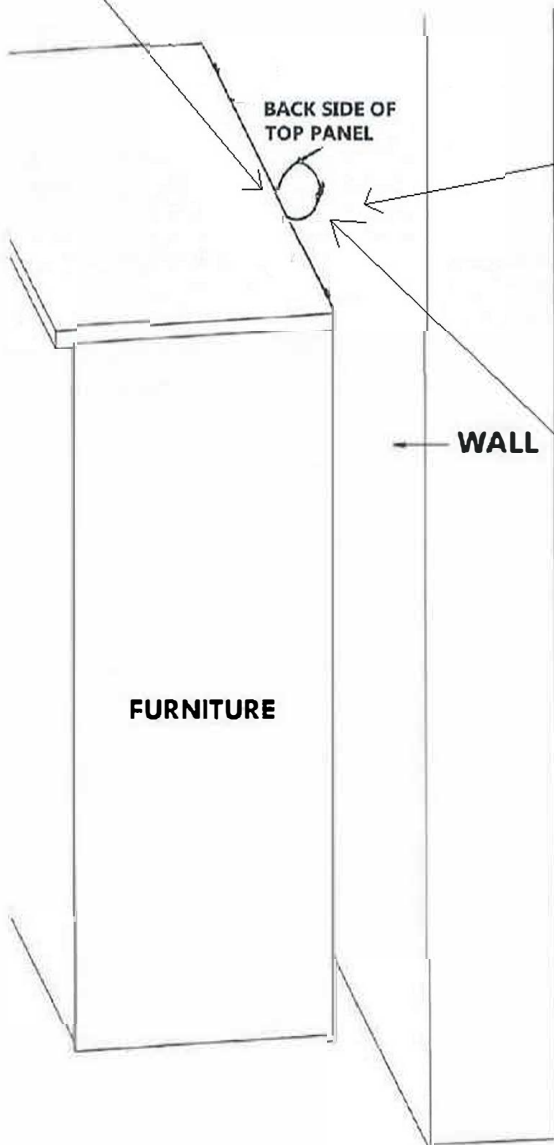


# FITTING OF ANTI-TIP SAFETY STRAP



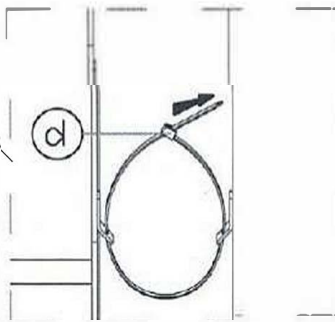
## STEP 1:

- Attach the mounting bracket (a) to the furniture in the solid part below the top panel a few inches away from the side of the unit.
- Screw (b) through the smallest hole of (a).



## STEP 2:

- Locate a stud in the wall behind the unit, does not have to be centered.
- Place the other mounting bracket (a) on the wall stud 2 inches below the mounting bracket secured to the back of your unit.
- Attach to the wall stud using (c) through the smaller hole of (a).



## STEP 3:

- Repeat the same step a few inches away from the other side of the unit.
- Place the furniture into position so both mounting brackets are vertically in line.
- Lace the end of the restraint strap through the larger holes in each mounting bracket.
- Secure the straps and lock into place.

